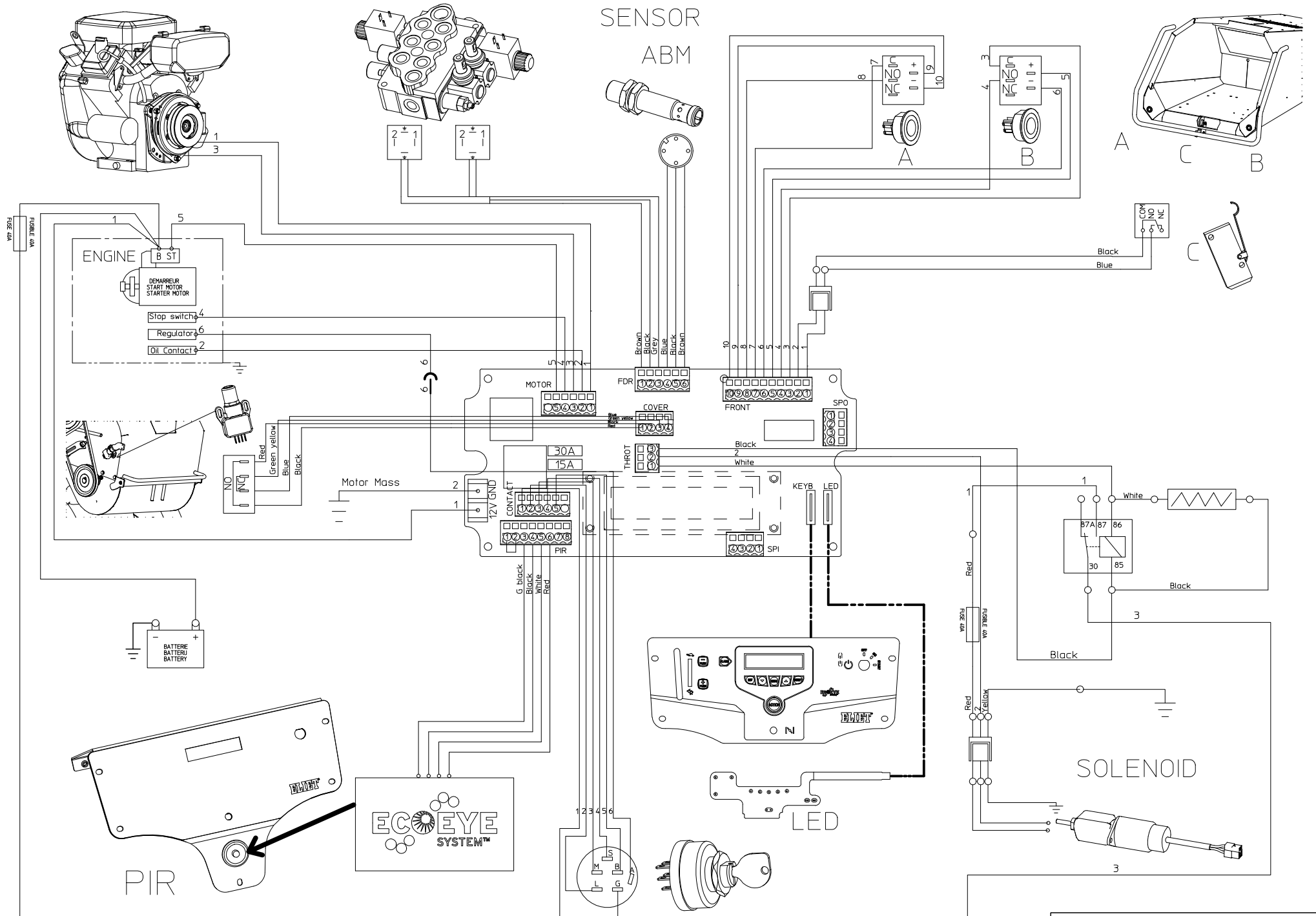
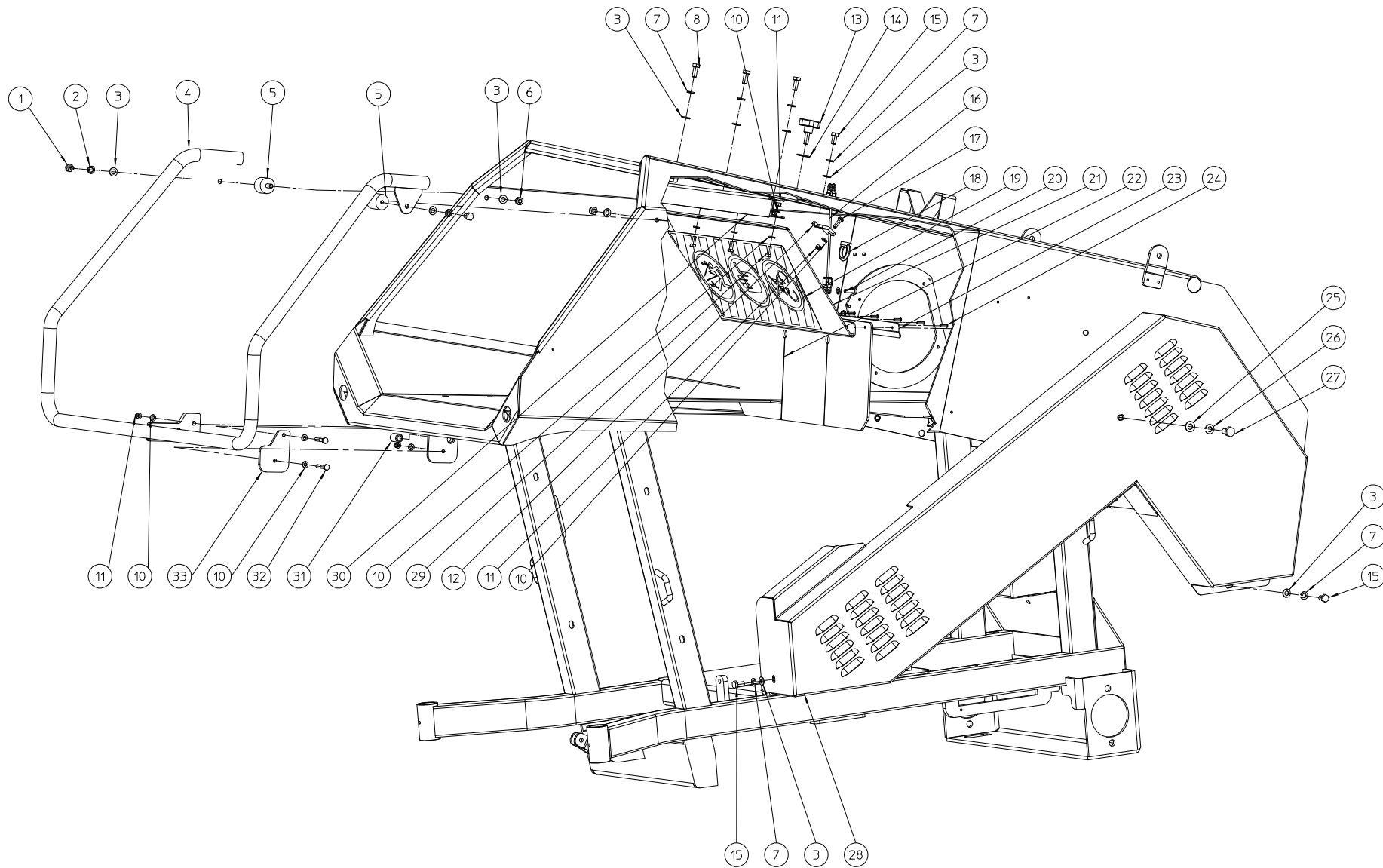


NO	MMA 01 073 100	REV	4	DATE	2017/03/21
----	----------------	-----	---	------	------------

SENSOR ABM

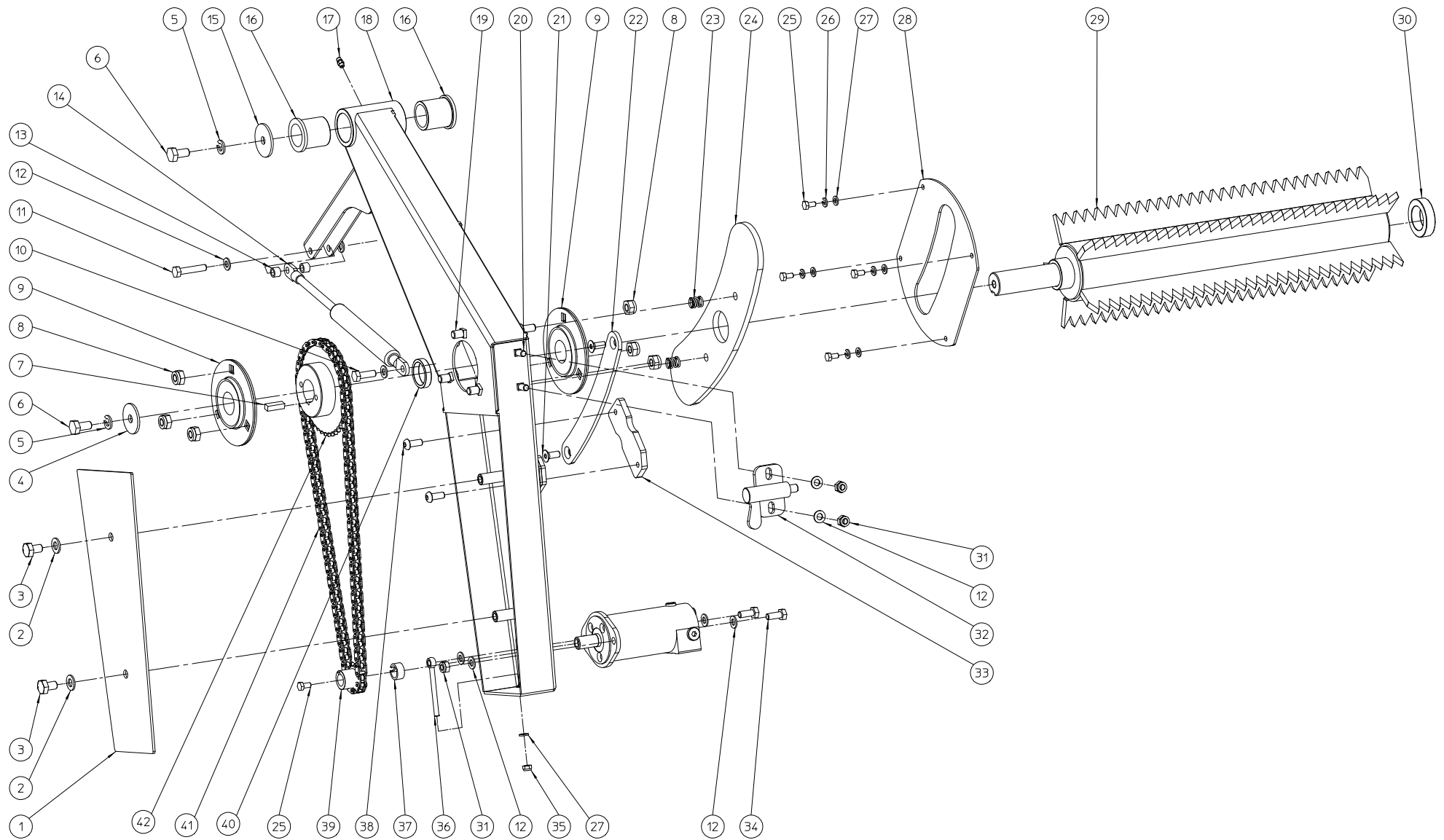


SP 2015 ELECTRIC SCHEME					
NO	BE 900 073 010	REV	1	DATE	2017/03/30



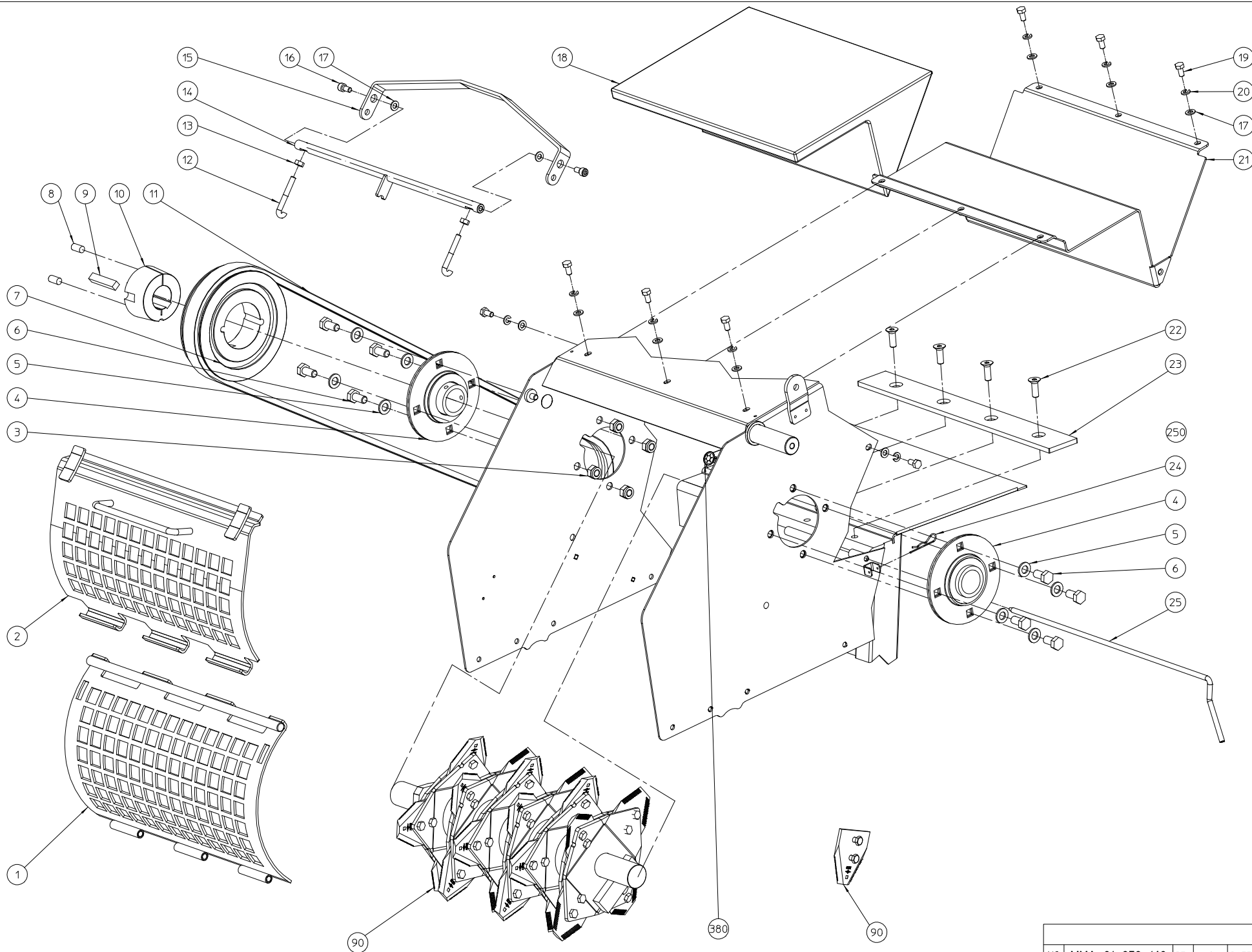
NO	MMA 01 073 120	REV	1	DATE	2015/10/28
----	----------------	-----	---	------	------------

#	Order nr	article description	quantity
1	BS 512 000 812	bolt m8x12 din 933	2
2	BS 534 000 800	lock washer m8 din 6798a	2
3	BS 531 000 800	washer m8 din 125	10
4	MPA 01 073 180	safety handle	1
5	BR 600 130 301	antivibration blocks 30x30b m8x16	2
6	BS 502 000 800	self locking nut m8 din 985	2
7	BS 533 000 800	lock washer m8 din 127b	6
8	BS 512 000 820	bolt m8x20 din 933	3
10	BS 531 000 600	washer m6 din 125	15
11	BS 502 000 600	self locking nut m6 din 985	8
12	MPA 01 073 810	connection flap control	1
13	BN 630 208 200	lob knob m8x20	1
14	BS 532 008 253	washer m8x25x1.5	1
15	BS 512 000 816	bolt m8x16 din 933	3
16	BK 152 250 201	cable support anti projectionplate	1
17	BS 522 500 620	screw m6x20 iso 7380	1
18	BS 507 000 008	lifting eye nut m8 din 582	1
19	BQ 505 010 100	safety sticker 465x200 (shield)	1
20	BS 512 000 620	bolt m6x20 din 933	1
21	MPA 01 073 510	anti projectionplate	1
22	BR 900 001 670	rubber anti projection flap 510 x 210	1
23	MPA 01 073 590	support rubber anti-projection	1
24	BB 221 104 140	pop plug alu 3.9x14 din 7337 a	6
25	BS 531 001 000	washer m10 din 125	1
26	BS 533 001 000	lock washer m10 din 127b	1
27	BS 512 001 020	bolt m10x20 din 933	1
28	MPA 01 073 200	belt cover	1
29	BS 512 000 616	bolt m6x16 din 933	4
30	MPA 01 073 300	set square support anti-projection	1
31	BS 351 601 624	spring loaded plunjer m16x24	1
32	BS 511 000 635	bolt m6x35 din 931	2
33	MPA 01 073 650	plate security switch	1



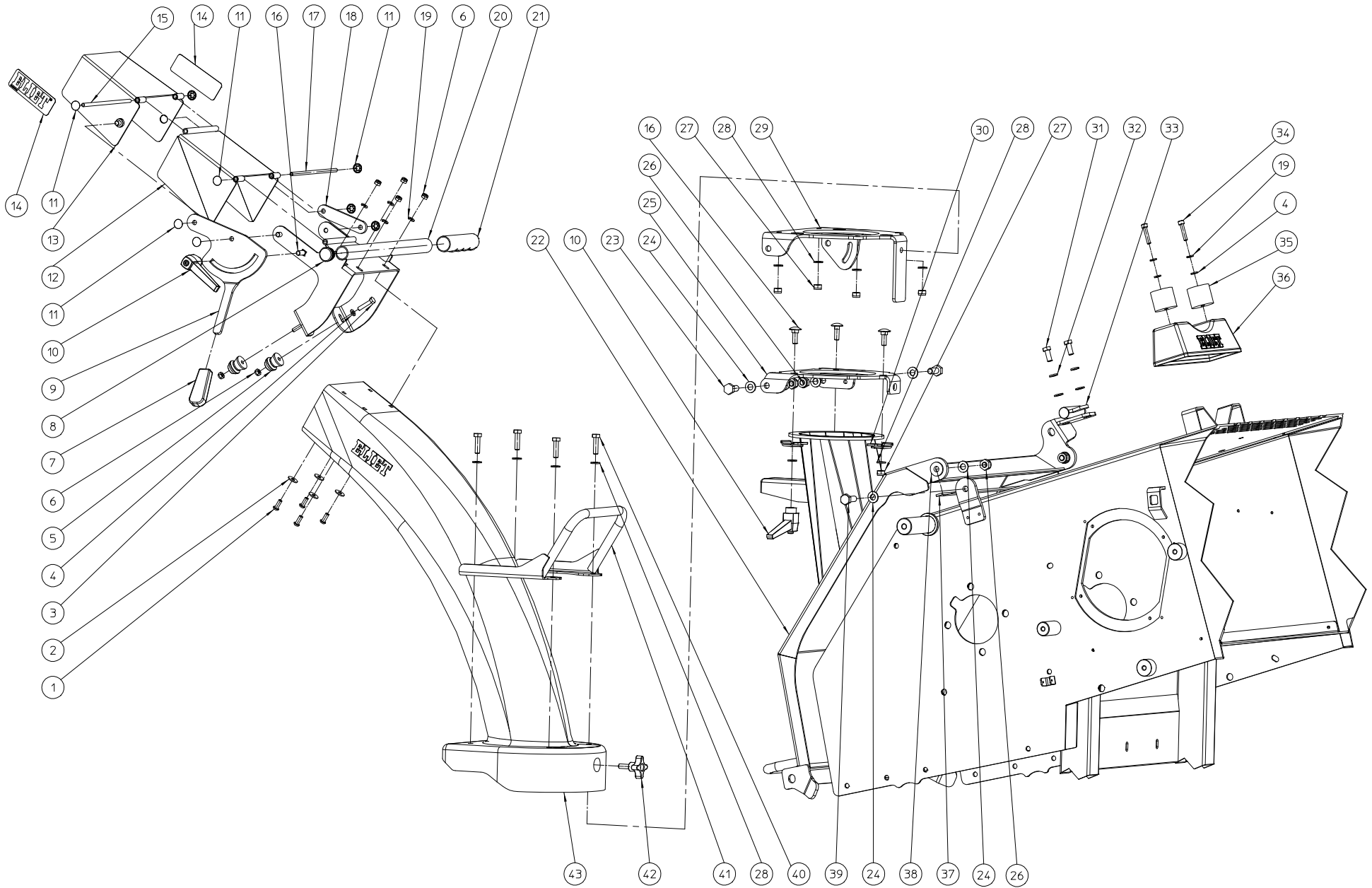
NO	MMA 01 073 130	REV	1	DATE	2016/03/02
----	----------------	-----	---	------	------------

#	Order nr	article description	quantity
1	MPA 01 073 550		1
2	BS 531 001 000	washer m10 din 125	2
3	BS 512 001 016	bolt m10x16 din 933	2
4	BS 532 010 406	washer m10x40x3	1
5	BS 533 001 000	lock washer m10 din 127b	2
6	BS 512 001 020	bolt m10x20 din 933	2
7	BB 341 080 725	key 8x7x25 din 6880	1
8	BS 502 001 000	self locking nut m10 din 985	6
9	BL 801 503 000	bearing + flanges aspf 206	2
10	BS 512 000 825	bolt m8x25 din 933	1
11	BS 512 000 840	bolt m8x40 din 933	1
12	BS 531 000 800	washer m8 din 125	9
13	MPA 01 070 420	bushing	2
14	BV 521 010 001	gas struts 500n x 100mm	1
15	MPA 01 073 870	washer 44x10x3	1
16	BR 112 304 090	nylon bushing with collar	2
17	BY 100 106 100	grease fitting m6 din 71412	1
18	MPA 01 073 130	arm pinch roll	1
19	BS 554 101 020	bolt m10x20 din603	6
20	BS 554 100 820	bolt m8x20 din 603	2
21	BS 522 100 820	screw m8x20 din 7991	2
22	MPA 01 073 790	guide arm feed roller	1
23	BV 911 000 010	spring 14x2x16	2
24	BR 910 000 810	nylon cover sp2015	1
25	BS 512 000 612	bolt m6x12 din 933	5
26	BS 533 000 600	lock washer m6 din 127b	4
27	BS 531 000 600	washer m6 din 125	5
28	MPA 01 073 560		1
29	MPA 01 073 110	pinch roll	1
30	BR 111 321 310	nylon bushing (32/50x13)	1
31	BS 502 000 800	self locking nut m8 din 985	4
32	MPA 01 073 290	lock 10mm	1
33	MPA 01 073 780	thrust block arm feed roller	1
34	BS 512 000 820	bolt m8x20 din 933	2
35	BS 502 000 600	self locking nut m6 din 985	1
36	BS 551 100 646	eye bolt m6x70 din 444	1
37	MPA 01 070 430	spacer ring	1
38	BS 522 500 820	screw m8x20 iso 7380	2
39	BA 161 012 162	sprocket simplex 3/8"x7/32" 12t	1
40	MPA 01 073 680	spacer ring	1
41	BA 101 104 020	chain simplex 3/8"x7/32" 104l	1
42	BA 161 040 301	sprocket 40z 3/8"x7/32" simplex	1



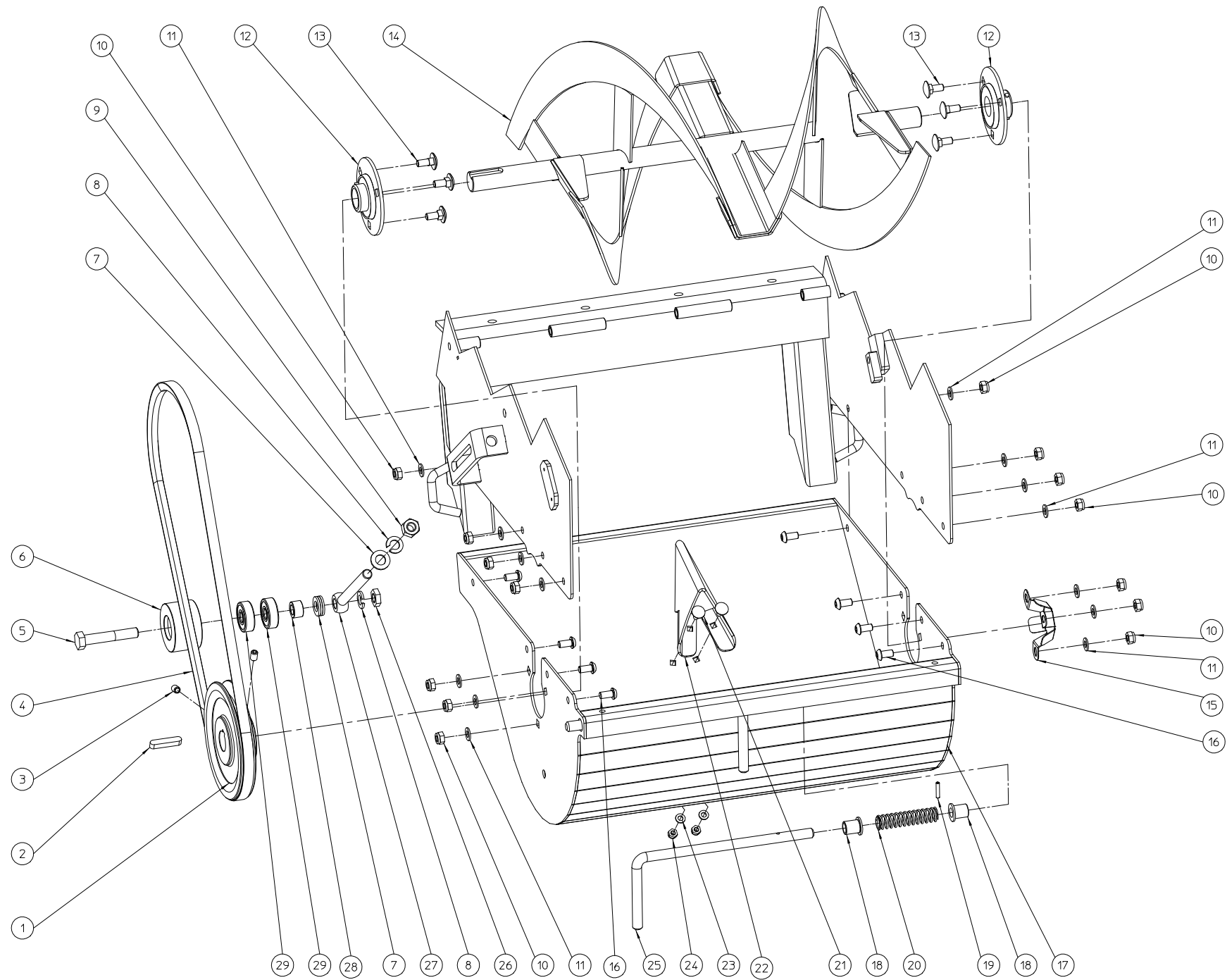
NO	MMA 01 073 140	REV	1	DATE	2015/10/28
----	----------------	-----	---	------	------------

#	Order nr	article description	quantity
1	MPA 01 073 150	lower calibrating grill	1
2	MPA 01 073 160	upper calibrating grill	1
3	BS 502 001 200	self locking nut m12 din 985	8
4	BL 801 604 001	kit bearing ucpf 208 complete	2
5	BS 531 001 200	washer m12 din 125	8
6	BS 512 001 225	bolt m12x25 din 933	8
7	BA 562 718 030	pulley 3 spa 180 tl2517	1
8	BB 501 311 220	set screw 7/16"x7/8"	2
9	BB 341 121 060	key 12x10x60 din 6880	1
10	BB 501 164 000	taper lock tl 2517-40	1
11	BA 552 221 200	xpa 2120/2 powerband multibrins	1
12	MPA 01 070 400	hook for rapid fastener	2
13	BS 501 000 800	nut m8 din 934	2
14	MPA 01 073 380	axe closure grate	1
15	MPA 01 073 570	lever closure grate	1
16	BS 521 100 816	screw m8x16 din 912	2
17	BS 531 000 800	washer m8 din 125	10
18	BQ 158 010 150	isolation rotor	1
19	BS 512 000 816	bolt m8x16 din 933	8
20	BS 533 000 800	lock washer m8 din 127b	8
21	MPA 01 073 310	isolationplate	1
22	BS 022 101 030	bolt m8x18 din 7991 10,9	4
23	MPA 01 070 180	fixation profile	1
24	BB 040 102 040	hairpin cotter 2mm din 11024	1
25	MPA 01 070 210	axle grating	1
90	BU 401 300 202	set of knives (24) incl. bolts and nuts	1
250	BS 531 001 000	washer m10 din 125	48
380	BB 011 000 090	starlock 9mm	1



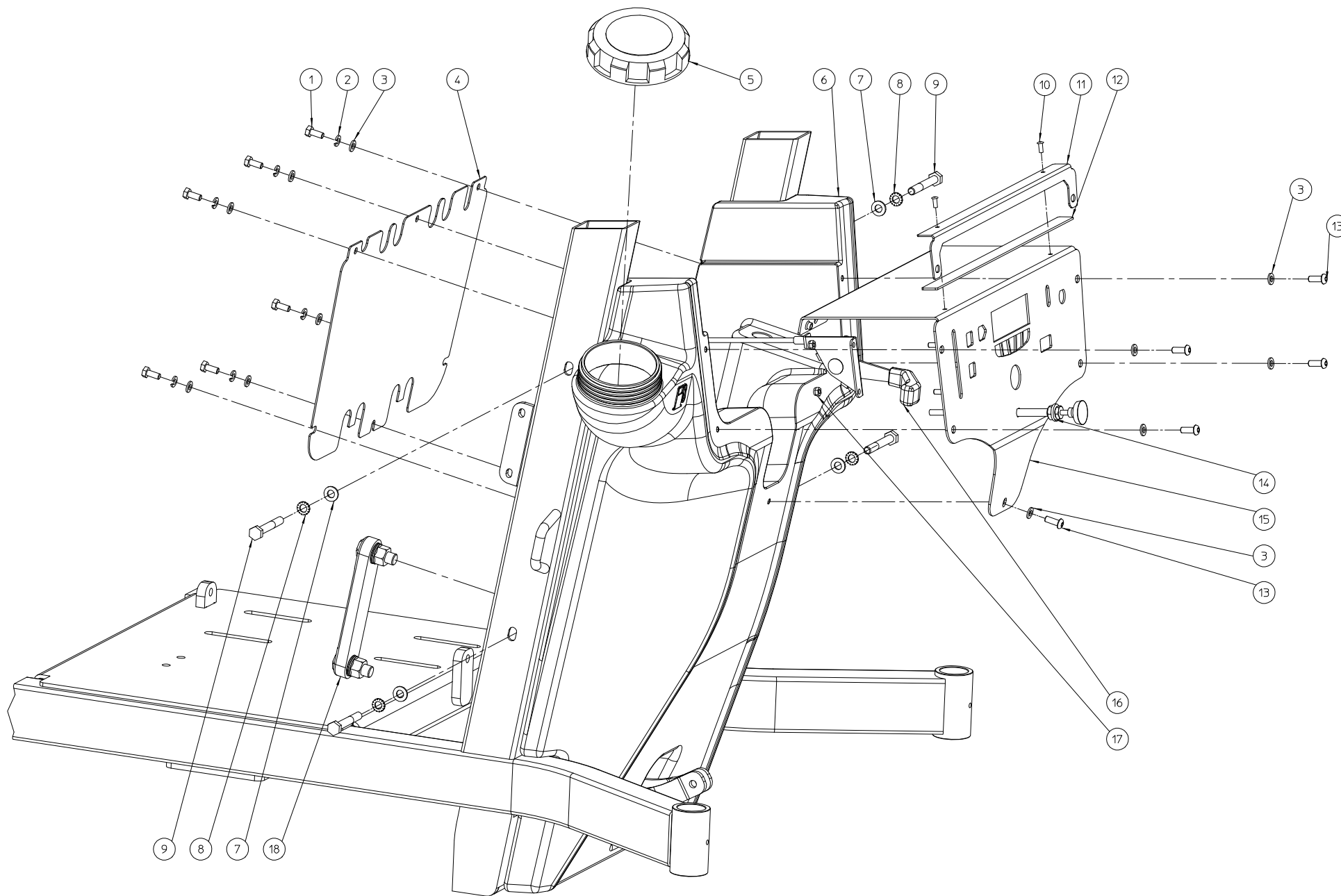
NO	MMA 01 073 150	REV	1	DATE	2015/10/28
----	----------------	-----	---	------	------------

#	Order nr	article description	quantity
1	BS 522 500 616	screw m6x16 iso 7380	4
2	BS 532 006 183	washer m6x18x1.5	4
3	BS 512 000 630	bolt m6x30 din 933	2
4	BS 531 000 600	washer m6 din 125	4
5	BO 530 600 001	hook	2
6	BS 502 000 600	self locking nut m6 din 985	6
7	BN 230 100 202	plastic handgripp 15x5x6 pvc	1
8	BR 020 501 250	tube cap Ø 25mm	1
9	MPA 01 073 610	lever flap control	1
10	BN 530 108 800	clamp levers	2
11	BB 011 000 080	starlock 8mm	8
12	MPA 01 073 270	flap ejection	1
13	MPA 01 310 540	directional valves blow chute low	1
14	BQ 501 010 090	sticker eliet 100x35	2
15	MPA 01 311 080	axle valve - up	1
16	BS 554 100 825	bolt m8x25 din 603	4
17	MPA 01 311 090	axle valve - down	1
18	MPA 01 073 600	rod flap ejection	1
19	BS 533 000 600	lock washer m6 din 127b	6
20	MPA 01 073 260	support flap ejection	1
21	BN 230 100 408	plastic grip 1"	1
22	MPA 01 073 250	rear	1
23	BS 512 001 025	bolt m10x25 din 933	2
24	BS 531 001 000	washer m10 din 125	8
25	MPA 01 073 630	flange rotation ejector	1
26	BS 502 001 000	self locking nut m10 din 985	4
27	BS 502 000 800	self locking nut m8 din 985	6
28	BS 531 000 800	washer m8 din 125	13
29	MPA 01 073 620	flange hinge ejector	1
30	MPA 01 073 520	tube connection	3
31	BS 512 000 820	bolt m8x20 din 933	2
32	BS 533 000 800	lock washer m8 din 127b	2
33	MPA 01 073 290	lock 10mm	1
34	BS 521 100 630	screw m6x30 din 912	2
35	BO 530 600 002	socket	2
36	BR 930 070 020	support discharge tunnel	1
37	BR 001 512 031	epdm cellular rubber adhesive 3 x 12 x 480 mm	1
38	BR 112 100 600	nylon bushing with collar (10/13.5/25x6/2.5)	2
39	BS 512 001 030	bolt m10x30 din 933	2
40	BS 512 000 830	bolt m8x30 din 933	4
41	MPA 01 073 280	handle ejection	1
42	BN 630 208 200	lob knob m8x20	1
43	BR 930 070 010	discharge tunnel	1



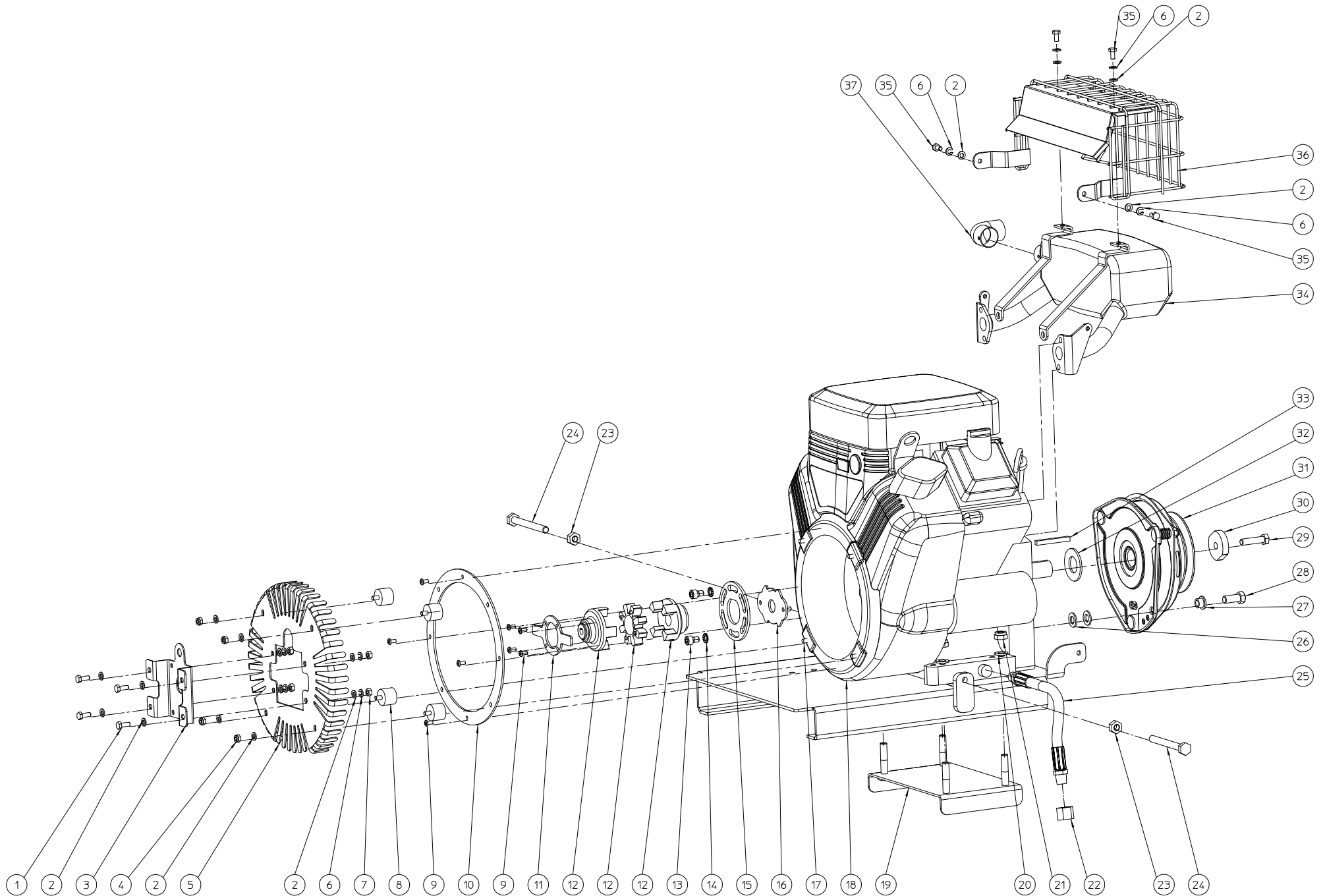
NO	MMA 01 073 160	REV	1	DATE	2015/12/03
----	----------------	-----	---	------	------------

#	Order nr	article description	quantity
1	BA 565 714 001	pulley spa 140x25x8	1
2	BB 351 080 740	key 8x7x40 din 6885a	1
3	BS 023 000 812	set screw m8x12 din 916	2
4	BA 521 212 070	xpa 1207 quad-power iii	1
5	BS 511 001 246	bolt m12x70 din 931	1
6	BA 599 006 101	idler roller Ø60	1
7	BS 531 001 200	washer m12 din 125	4
8	BS 533 001 200	lock washer m12 din 127b	2
9	BS 501 001 200	nut m12 din 934	1
10	BS 502 000 800	self locking nut m8 din 985	14
11	BS 531 000 800	washer m8 din 125	14
12	BL 801 502 502	bearing + flanges ucpf 205	2
13	BS 554 100 820	bolt m8x20 din 603	6
14	MPA 01 073 320		1
15	MPA 01 041 260	bearing protection cover pf205 + shaft	1
16	BS 522 500 816	screw m8x16 iso 7380	8
17	MPA 01 073 170	ejection tray	1
18	BR 112 201 290	nylon bushing with collar (12x16x20)	4
19	BB 120 040 200	locking 4x20 din 1481	2
20	BV 907 000 030		2
21	BS 554 100 616	bolt m6x16 din 603	2
22	MPA 01 073 700		1
23	BS 531 000 600	washer m6 din 125	2
24	BS 502 000 600	self locking nut m6 din 985	2
25	MPA 01 073 670		2
26	BS 501 901 200	nut m12 din 439	1
27	BS 551 001 254	eye bolt m12x140 din 444	1
28	MPA 01 330 810	spacer tightener pulley	1
29	BL 001 203 703	bearing 6301 2rz	2



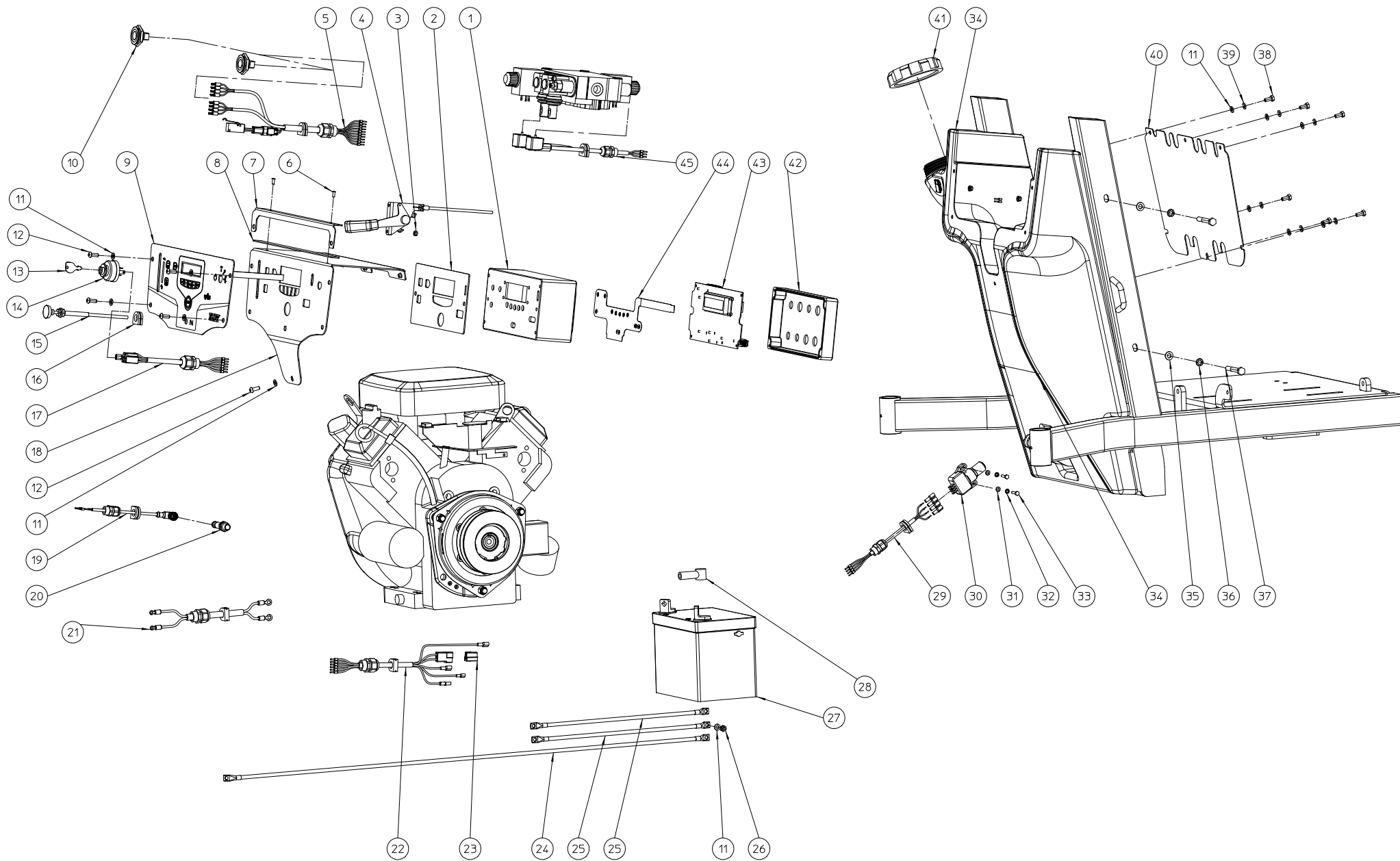
NO	MMA 01 073 170	REV	1	DATE	2015/10/27
----	----------------	-----	---	------	------------

#	Order nr	article description	quantity
1	BS 512 000 614	bolt m6x14 din 933	6
2	BS 533 000 600	lock washer m6 din 127b	6
3	BS 531 000 600	washer m6 din 125	11
4	MPA 01 073 800	closure control panel	1
5	BH 720 505 885	cap for tank	1
6	BY 717 212 020	plastic tank zwart 20l	1
7	BS 531 000 800	washer m8 din 125	4
8	BS 534 000 800	lock washer m8 din 6798a	4
9	BS 511 000 844	bolt m8x60 din 931	4
10	BB 221 104 100	pop plug alu 3.9x10 din 7337 a	2
11	MPA 01 073 880	set square control panel	1
12	BR 900 001 700	extern isolation	1
13	BS 522 500 616	screw m6x16 iso 7380	5
14	BK 181 151 060	choke control	1
15	MPA 01 073 370	control panel	1
16	BK 164 310 900	throttle control + cable	1
17	BS 502 000 500	self locking nut m5 din 985	2
18	BH 730 404 005	level gauge 127 mm	1



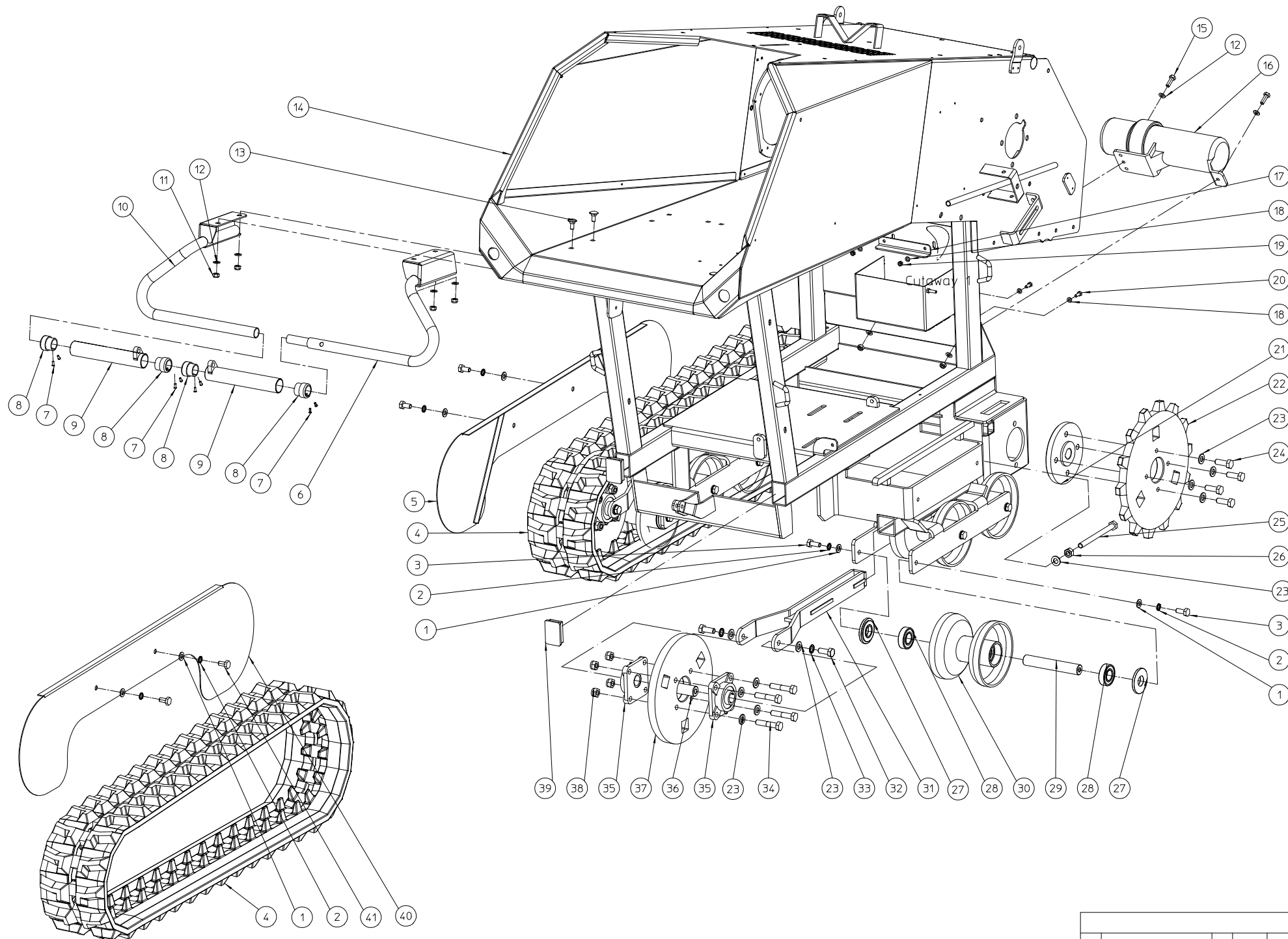
SP 2015 CC -- ENGINE						
NO	MMA 01 073 182	REV	1	DATE	2016/06/22	

#	Order nr	article description	quantity
1	BS 512 000 616	bolt m6x16 din 933	4
2	BS 531 000 600	washer m6 din 125	16
3	MPA 01 073 820		1
4	BS 502 000 600	self locking nut m6 din 985	4
5	MPA 01 073 390		1
6	BS 533 000 600	lock washer m6 din 127b	8
7	BS 501 000 600	nut m6 din 934	4
8	BR 600 225 201	antivibration blocks 25x20b m6x10	4
9	BB 221 005 100	pop plug steel 4.8x10 din 7337 a	8
10	MPA 01 070 670	engine housing reinforcement	1
11	MPA 01 073 720	rotation measuring point	1
12	BA 201 210 100	elastic coupling m20x1.5	1
13	BS 521 100 812	screw m8x12 din 912	2
14	BS 534 000 800	lock washer m8 din 6798a	2
15	MPA 01 070 680	connecting disk for elastic coupling	1
16	MPA 01 070 690	centring coupling	1
17	MPA 01 071 050	support reinforcement ring	4
18	BM 201 318 001 073		1
19	MPA 01 070 230	engine fixing plate	1
20	BS 531 001 000	washer m10 din 125	4
21	BS 502 001 000	self locking nut m10 din 985	4
22	BT 174 150 600	terminal nut 3/8"	1
23	BS 501 001 000	nut m10 din 934	2
24	BS 512 001 050	bolt m10x100 din 933	2
25	BH 551 060 320	flexible hydraulic hose 3/8"x320	1
26	BS 531 001 100	washer m11 din 125	2
27	BR 112 101 011	nylon bushing with collar (10/14/20x7/16")	1
28	BS 512 951 125	hexagon bolt galvanised 7/16 x 1" unc	1
29	BS 511 041 040		1
30	MPA 01 074 380	ring clutch sp2015	1
31	BA 250 104 010	electrical coupling spa 118 ii	1
32	BS 033 525 501		2
33	BB 342 060 657	key 6.35x6.35x57 din 6880	1
34	BM 261 300 200	muffler	1
35	BS 512 000 612	bolt m6x12 din 933	4
36	BM 261 300 100	muffler guard	1
37	BT 122 172 828	copper elbow 28mm	1



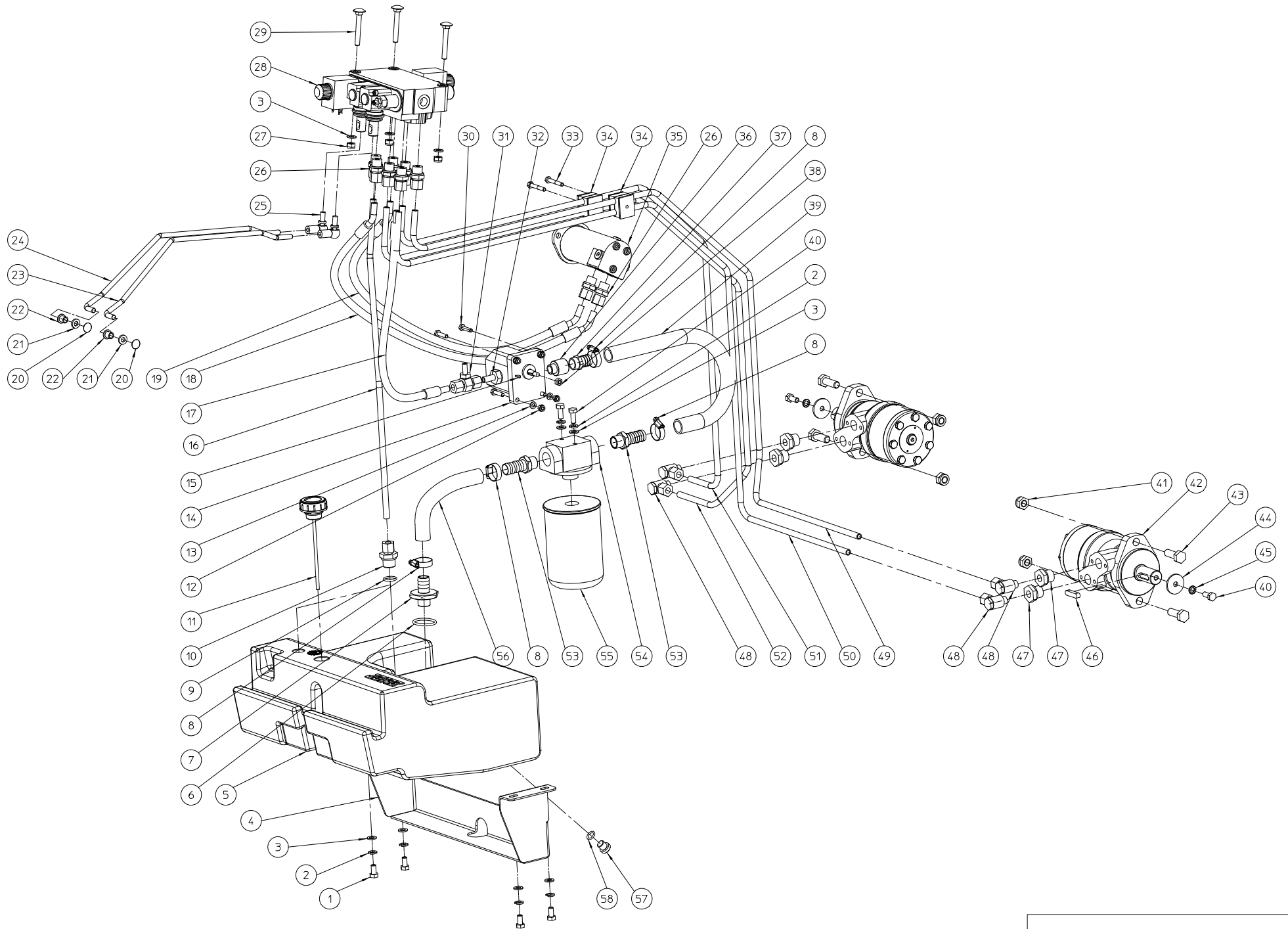
NO	MMA 01 073 190	REV	1	DATE	2016/03/10
----	----------------	-----	---	------	------------

#	Order nr	article description	quantity
1	BE 142 412 101	electrical bay	1
2	BR 900 001 690	isolation electrical bay	1
3	BS 502 000 500	self locking nut m5 din 985	4
4	BK 164 310 900	throttle control + cable	1
5	BE 099 000 606	cable control buttons	1
6	BB 221 104 100	pop plug alu 3.9x10 din 7337 a	2
7	MPA 01 073 880	set square control panel	1
8	BR 900 001 700	extern isolation	1
9	BE 700 021 000	control panel	1
10	BE 120 081 420	control button	2
11	BS 531 000 600	washer m6 din 125	12
12	BS 522 500 616	screw m6x16 iso 7380	5
13	BM 260 691 959	ignition key	1
14	BM 260 692 318	ignition switch	1
15	BK 181 151 060	choke control	1
16	BR 000 213 521	rubber grommets	1
17	BE 099 000 602	cable ignition switch	1
18	MPA 01 073 370	control panel	1
19	BE 099 000 607	cable sensor	1
20	BE 400 010 200	sensor	1
21	BE 099 000 609	cable power requirement	1
22	BE 099 000 601	engine cable	1
23	BE 032 180 907	housing	1
24	BE 090 281 031	red wire 16mm	1
25	BE 090 180 371	black wire 16mm	2
26	BS 502 000 600	self locking nut m6 din 985	1
27	BE 240 120 300	battery 12v 30ah	1
28	BR 701 010 150	terminal cover	1
29	BE 099 000 605	cable rear safety interlock	1
30	BE 120 030 020	safety switch	1
31	BS 531 000 400	washer m4 din 125	2
32	BS 534 000 400	lock washer m4 din 6798a	2
33	BS 512 000 420	bolt m4x20 din 933	2
34	BY 717 212 020	plastic tank zwart 20l	1
35	BS 531 000 800	washer m8 din 125	4
36	BS 534 000 800	lock washer m8 din 6798a	4
37	BS 511 000 844	bolt m8x60 din 931	4
38	BS 512 000 614	bolt m6x14 din 933	6
39	BS 533 000 600	lock washer m6 din 127b	6
40	MPA 01 073 800	closure control panel	1
41	BH 720 505 885	cap for tank	1
42	BE 142 412 102	cover electrical bay	1
43	BE 700 023 000	pcb sp2015	1
44	BE 700 022 000	led print	1
45	BE 099 000 604	cable solenoid valve	1



NO	MMA 01 073 210	REV	1	DATE	2015/10/27
----	----------------	-----	---	------	------------

#	Order nr	article description	quantity
1	BS 531 001 000	washer m10 din 125	16
2	BS 534 001 000	lock washer m10 din 6798a	16
3	BS 512 001 025	bolt m10x25 din 933	12
4	BW 818 072 370	crawler track	2
5	MPA 01 070 900	protection left	1
6	MPA 01 073 410	steer right	1
7	BB 221 104 100	pop plug alu 3.9x10 din 7337 a	8
8	BR 910 000 010	nylon bushing with collar (25/30/34x30/15)	4
9	MPA 01 073 440	control pipe cross country	2
10	MPA 01 073 420	steer left	1
11	BS 502 000 800	self locking nut m8 din 985	6
12	BS 531 000 800	washer m8 din 125	9
13	BS 554 100 820	bolt m8x20 din 603	4
14	MPA 01 073 500		1
15	BS 512 000 825	bolt m8x25 din 933	2
16	BQ 790 010 020	document holder 320 mm	1
17	MPA 01 070 970	square battery	1
18	BS 531 000 600	washer m6 din 125	4
19	BS 502 000 600	self locking nut m6 din 985	2
20	BS 512 000 616	bolt m6x16 din 933	2
21	BA 281 504 502	hub rear wheel Ø12,5mm	2
22	MPA 01 070 880	back wheel	2
23	BS 531 001 200	washer m12 din 125	22
24	BS 512 001 235	bolt m12x35 din 933	8
25	BS 512 001 255	bolt m12x150 din 933	2
26	BS 501 001 200	nut m12 din 934	2
27	MPA 01 071 030	washer	12
28	BL 002 505 203	bearing 6205 zz	12
29	MPA 01 071 040	axle idler	6
30	MPA 01 071 020	idler	6
31	MPA 01 071 000	tightener	2
32	BS 512 001 230	bolt m12x30 din 933	4
33	BS 534 001 200	lock washer m12 din 6798a	4
34	BS 511 001 244	bolt m12x60 din 931	8
35	BL 711 272 505	bearing ufc205	4
36	MPA 01 070 980	axle front wheel	2
37	MPA 01 070 890	front wheel	2
38	BS 502 001 200	self locking nut m12 din 985	8
39	BR 021 160 400	cap 60x40	2
40	MPA 01 070 990	protection right	1
41	BS 512 001 020	bolt m10x20 din 933	4



NO	MMA 01 073 220	REV	1	DATE	2016/02/25
----	----------------	-----	---	------	------------

#	Order nr	article description	quantity
1	BS 512 000 816	bolt m8x16 din 933	4
2	BS 533 000 800	lock washer m8 din 127b	6
3	BS 531 000 800	washer m8 din 125	9
4	MPA 01 073 230	support oil reservoir	1
5	BY 717 212 012	oil reservoir	1
6	BH 812 345 350	o-ring 34,52 x 3,53 mm viton	1
7	MPA 01 073 890	adaptor Ø 20mm - 1/2"	1
8	BT 670 117 290	hose clamp 17x29mm	4
9	BH 812 180 300	o-ring Ø 18 x 3 mm viton	1
10	BH 509 251 009	male stud coupling 10lx1/2" hole 10	1
11	BH 720 704 112	filler cap	1
12	BS 502 000 600	self locking nut m6 din 985	4
13	BS 531 000 600	washer m6 din 125	4
14	BH 210 103 200	hydraulic pump 3.2cc	1
15	BB 321 020 512	key 2x5x12.65 din 6888	1
16	MPA 01 074 150	hydraulic pipe (pump return)	1
17	BH 551 040 490	flexible hydraulic hose 1/4"x490	1
18	BH 551 040 871	flexible hydraulic hose 1/4"x870	1
19	BH 551 040 800	flexible hydraulic hose 1/4"x800	1
20	BB 011 000 080	starlock 8mm	2
21	BR 111 080 300	nylon bushing (8,2/16x3)	2
22	BR 112 081 300	nylon bushing with collar (8/11/16x13/2)	2
23	MPA 01 073 860	link rod traction control cc	1
24	MPA 01 073 850	link rod traction control	1
25	BA 230 010 800	ball joint m8	2
26	BH 509 211 006	male stud coupling 10lx3/8"	9
27	BS 502 000 800	self locking nut m8 din 985	3
28	BH 400 401 310	hydraulic valve sd5-3	1
29	BS 554 100 844	bolt m8x60 din603	3
30	BS 512 000 625	bolt m6x25 din 933	4
31	BH 563 000 100	manometer coupler 10lxm16x2	1
32	BH 512 671 006	standpipe adaptor 10sr3/8"	1
33	BS 511 000 640	bolt m6x40 din 931	2
34	BH 711 020 010	pipe clamp b-10mm ass.	2
35	BH 331 204 001	hydraulic engine mm f s 40 c - II	1
36	BT 134 280 608	messaging 3/8x1/2	1
37	BT 136 260 820	insert connector for hose 20x1/2	1
38	BS 501 000 700	nut m7 din 934	1
39	BR 220 619 045	flexible suction pipe Ø19x450mm	1
40	BS 512 000 820	bolt m8x20 din 933	4
41	BS 502 001 200	self locking nut m12 din 985	4
42	BH 331 525 000	hydraulic engine mr n 250 cd	2
43	BS 512 001 235	bolt m12x35 din 933	4
44	BS 532 008 356	washer m8x35x3	2
45	BS 534 000 800	lock washer m8 din 6798a	2
46	BB 351 080 735	key 8x7x35 din 6885a	2
47	BH 514 100 804	reduction stud (m-f) 1/2"-1/4"	4
48	BH 513 111 004	banjo 10lx1/4"	4
49	MPA 01 074 140	hydraulic pipe st 4 cc	1
50	MPA 01 074 130	hydraulic pipe st 3 cc	1
51	MPA 01 074 120	hydraulic pipe st 2 cc	1
52	MPA 01 074 110	hydraulic pipe st 1 cc	1

53	BT 136 261 219	adaptor Ø 19mm - 3/4"	2
54	BH 280 612 121	hydraulic filter 3/4"	1
55	BH 280 212 000	oil filter (return)	1
56	BR 220 619 018	flexible suction pipe Ø19x18cm	1
57	BH 518 500 400	blanking plug 1/4"	1
58	BH 802 012 250	o-ring Ø 12 x 2,5 mm	1