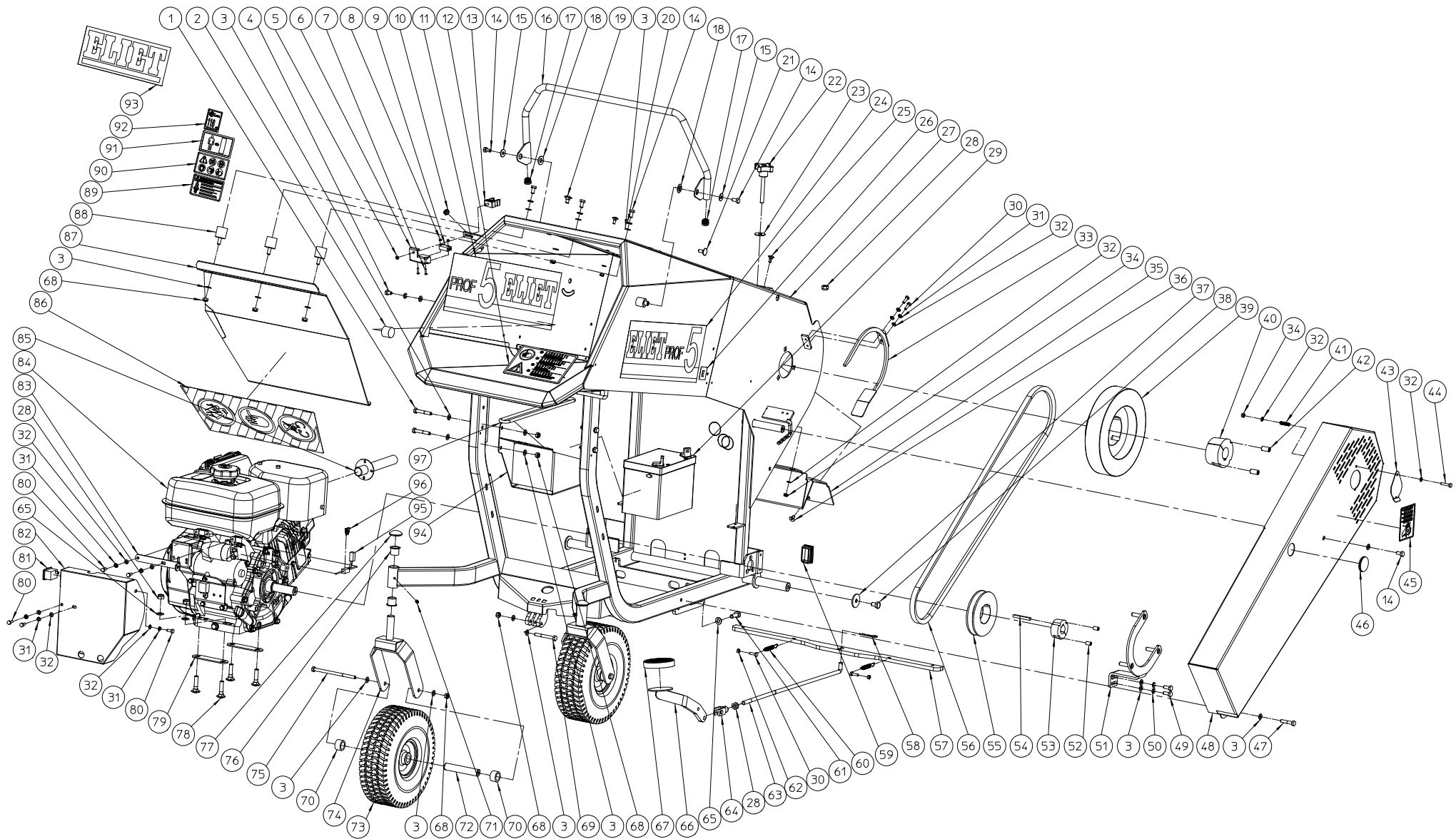


ELIET PROF 5 - GENERAL					
NO	MMA 01 051 100	REV	3	DATE	2014/01/24

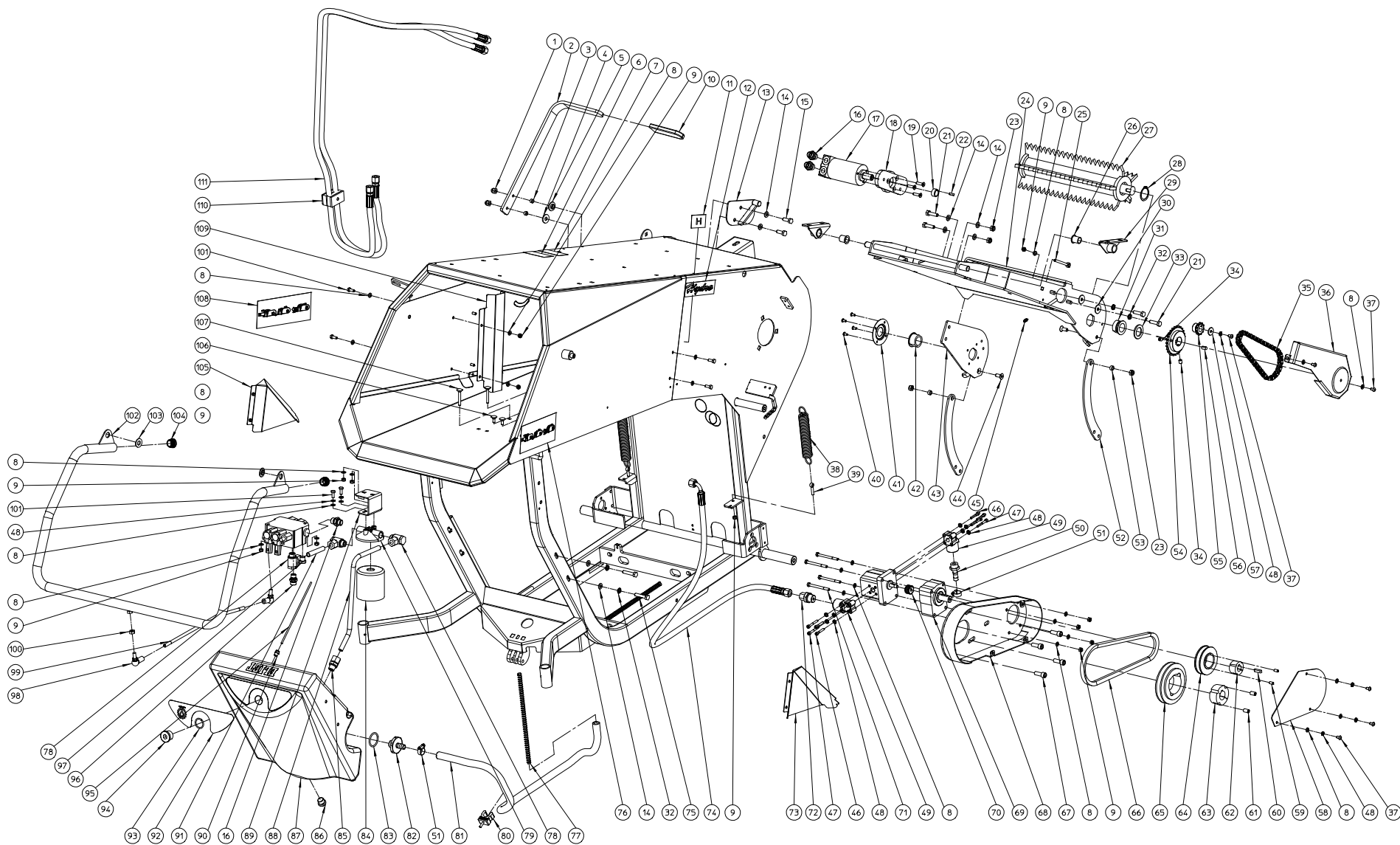
#	Order nr	article description	quantity
110	MMA 01 051 110	standard	1
120	MMA 01 051 120	hydro kit infeedroller	1
130	MMA 01 051 130	wheel transmission	1
140	MMA 01 051 140	trlo	1
160	MMA 01 051 160	calibration grating	1
170	MMA 01 051 170	flow rate regulation	1
190	MMA 01 051 190	abm hydro	1



ELIET PROF V -- STANDARD					
NO	MMA 01 051 110	REV	3	DATE	2016/03/14

#	Order nr	article description	quantity
1	BS 511 000 842	bolt m8x50 din 931	2
2	BR 600 230 250	antivibration blocks 25x25b m6x14	1
3	BS 531 000 800	washer m8 din 125	4
4	BS 512 000 812	bolt m8x12 din 933	1
10	BR 000 208 030	rubber grommets 8/3	1
11	BQ 501 050 110	sticker 550x170 left	1
12	BQ 505 010 110	safety sticker 190x125 (in feed)	1
14	BS 512 000 816	bolt m8x16 din 933	2
19	BS 554 100 816	bolt m8x16 din 603	4
20	BS 554 100 816	bolt m8x16 din 603	3
21	BS 554 100 820	bolt m8x20 din 603	4
22	BN 630 510 480	lob knob Ø60mm - m10x80	1
23	BS 532 010 305	washer m10x30x2.5	1
24	BQ 501 050 120	sticker 550x170 right	1
25	BS 554 100 616	bolt m6x16 din 603	1
26	BQ 501 050 150	sticker electric start 40 x 45	1
27	MPA 01 051 050	frame	1
28	BS 502 001 000	self locking nut m10 din 985	1
29	BE 240 120 300	battery 12v 30ah	1
30	BS 512 000 620	bolt m6x20 din 933	2
31	BS 502 001 000	self locking nut m10 din 985	2
32	BS 502 001 000	self locking nut m10 din 985	2
33	MPA 01 051 150	belt catcher rotor	1
34	BS 502 000 600	self locking nut m6 din 985	2
35	MPA 01 051 530	deflector rotor	1
36	BS 522 100 812	screw m8x12 din 7991	1
37	BS 532 010 406	washer m10x40x3	1
38	BS 512 001 016	bolt m10x16 din 933	1
39	BA 566 717 010	pulley with flywheel spb 170 tl 2517	1
40	BB 501 163 500	taper lock tl 2517-35	1
41	BV 904 000 010	compression spring Ø8.5x30mm fil Ø1mm	1
42	BB 501 313 250	set screw 1/2"x1"	2
43	MPA 01 041 610	flap major 4s pto	1
44	BS 512 000 630	bolt m6x30 din 933	1
45	BQ 505 010 130	safety sticker 100x80 (belt transmission)	1
46	BR 500 103 800	rubber plug 42x38x1.6	1
47	BS 511 000 840	bolt m8x40 din 931	1
48	MPA 01 051 125	belt protection	1
49	BS 512 000 820	bolt m8x20 din 933	2
50	BS 533 000 800	lock washer m8 din 127b	2
51	MPA 01 051 145	belt catcher engine	1
52	BB 501 310 160	set screw 3/8"x5/8"	2
53	BB 501 231 600	taper lock tl 1610-1"	1
54	BB 342 060 657	key 6.35x6.35x57 din 6880	1
55	BA 563 712 501	pulley spb 125 for taper lock tl1610	1
56	BA 527 619 563	belt 5l 770	1
57	MPA 01 051 200	brakerail	1
58	BB 040 102 040	hairpin cotter 2mm din 11024	1
59	BR 021 150 300	cap 50x30	1
60	BV 912 000 030	spring	1
61	BS 512 001 030	bolt m10x30 din 933	1
62	BS 501 000 600	nut m6 din 934	1

63	MPA 01 051 075	brake rod	1
64	BS 556 001 000	fork m10x20 din 71752	1
65	BS 531 001 000	washer m10 din 125	1
66	MPA 01 051 160	brake pedal	1
67	BR 900 000 110	rubber socks dia 90x18mm	1
68	BS 502 000 800	self locking nut m8 din 985	2
69	BS 511 000 845	bolt m8x65 din 931	1
70	MPA 01 340 380	spacer wheelshaft	1
71	BY 100 106 100	grease fitting m6 din 71412	1
72	MPA 01 051 175	wheel shaft caster wheel	1
73	BW 029 020 001	wheel 4.00-4 prof 5	1
74	MPA 01 051 135	fork caster wheel	1
75	BS 511 000 854	bolt m8x140 din 931	1
76	BR 112 202 100	nylon bushing with collar (20/24/29x21/1)	1
77	BB 011 000 200	starlock 20mm	1
78	BS 554 101 041	bolt m10x45 din603	4
79	MPA 01 051 180	engine fleet	2
80	BS 512 000 616	bolt m6x16 din 933	1
81	BE 412 430 000	maintenance meter	1
82	MPA 01 052 520	protectionplate engine	1
83	MPA 01 052 530	support protectionplate engine	1
84	BM 204 114 000	engine subaru ex 42	1
85	MPA 01 051 510	outlet pipe subaru	1
86	BQ 505 010 100	safety sticker 465x200 (shield)	1
87	MPA 01 051 090	protection	1
88	BR 600 130 301	antivibration blocks 30x30b m8x16	1
89	BQ 505 010 040	safety sticker 60x100 (spark plug)	1
90	BQ 505 010 050	safety sticker 60x100 (pictogram)	1
91	BQ 505 010 150	safety sticker 60x100 (distance)	1
92	BQ 505 112 116	sticker sound level 116 db	1
93	BQ 501 010 040	sticker eliet 270x115	1
94	MPA 01 051 525	batterysupport	1
95	BE 100 020 300	blade fuse holder fha 1c	1
96	BE 100 700 750	midi-blade fuse 7.5a	1
97	BY 725 024 008	rubber battery fastener	1

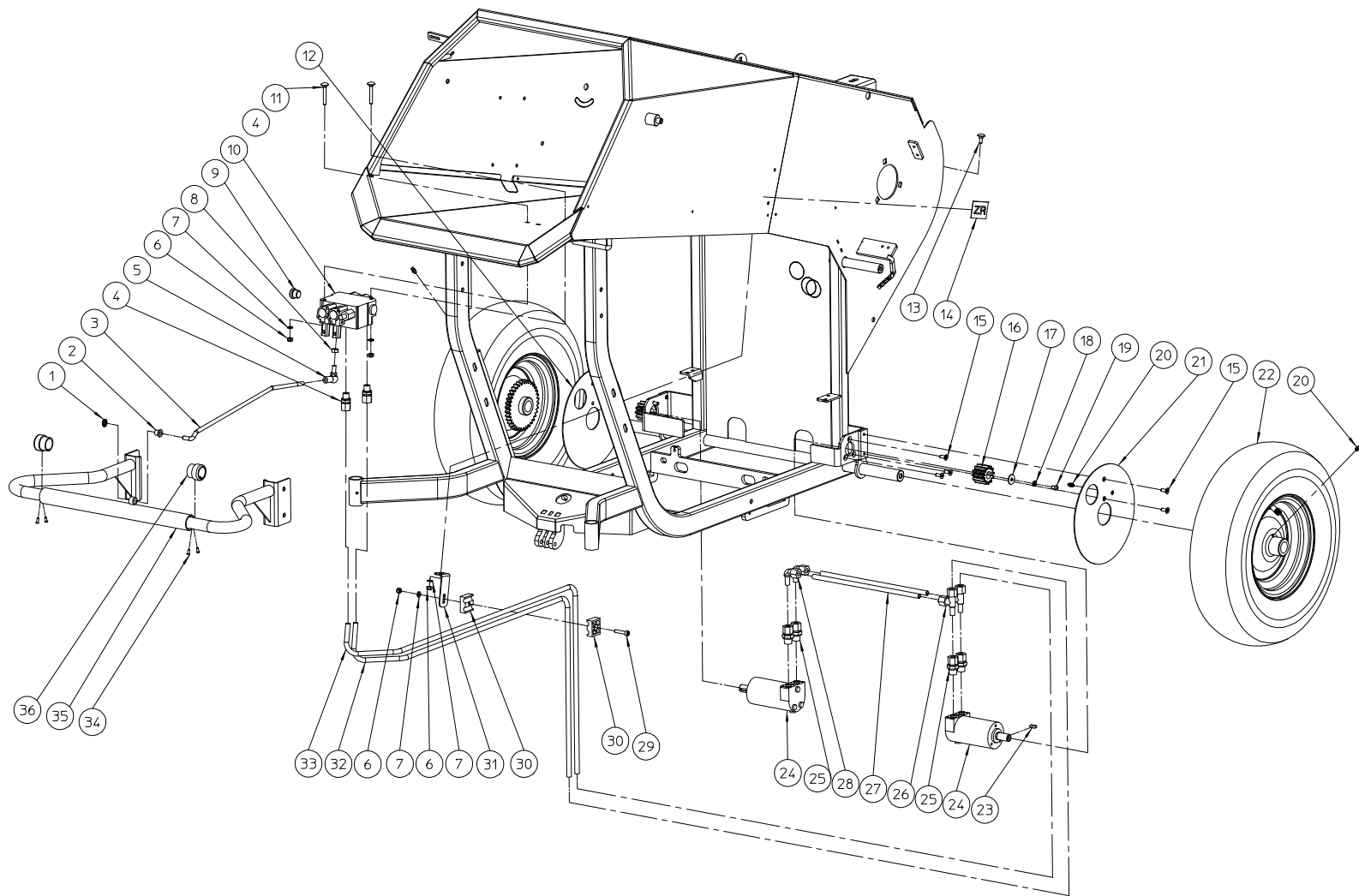


ELIET PROF V -- HYDRO KIT INFEEEDROLLER					
NO	MMA 01 051 120	REV	5	DATE	2016/08/19

#	Order nr	article description	quantity
1	BS 505 800 800	nut m8 din 986	2
2	MPA 01 052 780		1
3	MPA 01 052 790		2
4	BR 111 100 200	nylon bushing (10.5/21x2.5)	1
5	BR 112 100 600	nylon bushing with collar (10/13.5/25x6/2.5)	1
6	BQ 501 050 070	sticker lift handle down	1
7	BQ 501 050 080	sticker lift handle up	1
8	BS 531 000 600	washer m6 din 125	32
9	BS 502 000 600	self locking nut m6 din 985	15
10	BN 230 101 209	rubber plate	1
11	BQ 501 050 140	sticker hydro 40 x 45	2
12	BQ 501 050 060	sticker eliet prof iv hydro (u)	2
13	MPA 01 052 770		1
14	BS 531 000 800	washer m8 din 125	10
15	BS 512 000 825	bolt m8x25 din 933	2
16	BH 509 251 006	male stud coupling 10lx3/8" bo	3
17	BH 331 205 010	hydraulic engine epmm 50cc	1
18	MPA 01 051 265	support hydraulic engine	1
19	BS 522 100 625	screw m6x25 din 7991	3
20	MPA 01 070 430	spacer ring	1
21	BS 512 000 830	bolt m8x30 din 933	4
22	BB 341 050 516	key 5x5x16 din 6880	1
23	BS 502 000 800	self locking nut m8 din 985	4
24	MPA 01 051 215	hinged plate pinch roll	1
25	BS 551 100 646	eye bolt m6x70 din 444	1
26	BR 112 152 100	nylon bushing with collar (15.4/18/23x21/1)	2
27	MPA 01 051 225	pinch roll	1
28	BB 001 000 320	retaining ring 32 din 471	1
29	MPA 01 050 270	hinge hydraulic kit	2
30	BS 532 008 254	washer m8x25x2	2
31	BR 112 262 112	nylon bushing with collar (26/35.5/40x21/2)	1
32	BS 534 000 800	lock washer m8 din 6798a	6
33	MPA 01 050 220	spacer ring	1
34	BS 023 000 810	set screw m8x10 din 916	2
35	BA 101 056 010	chain simplex 3/8"x7/32" 56l	1
36	MPA 01 051 300	chain protection	1
37	BS 522 500 610	screw m6x10 iso 7380	6
38	BV 919 000 010	spring	2
39	BS 551 000 630	eye bolt m6x30 din 444	2
40	BB 221 105 100	pop plug alu 4.8x10 din 7337 a	4
41	MPA 01 050 240	protection plate for nylon bearing	1
42	BR 112 262 111	nylon bushing with collar (26/35.5/40x21/2)	1
43	MPA 01 051 240	sideplate	1
44	BS 522 100 820	screw m8x20 din 7991	2
45	BY 100 106 100	grease fitting m6 din 71412	1
46	BS 521 100 530	screw m5x30 din 912	4
47	BS 521 100 540	screw m5x40 din 912	4
48	BS 534 000 600	lock washer m6 din 6798a	14
49	BH 281 001 201	pump coupling	2
50	BT 136 260 813	hose insert 1/2"x13mm	1
51	BT 670 113 200	hose clamp 13x20mm	2
52	MPA 01 051 260	lath	2

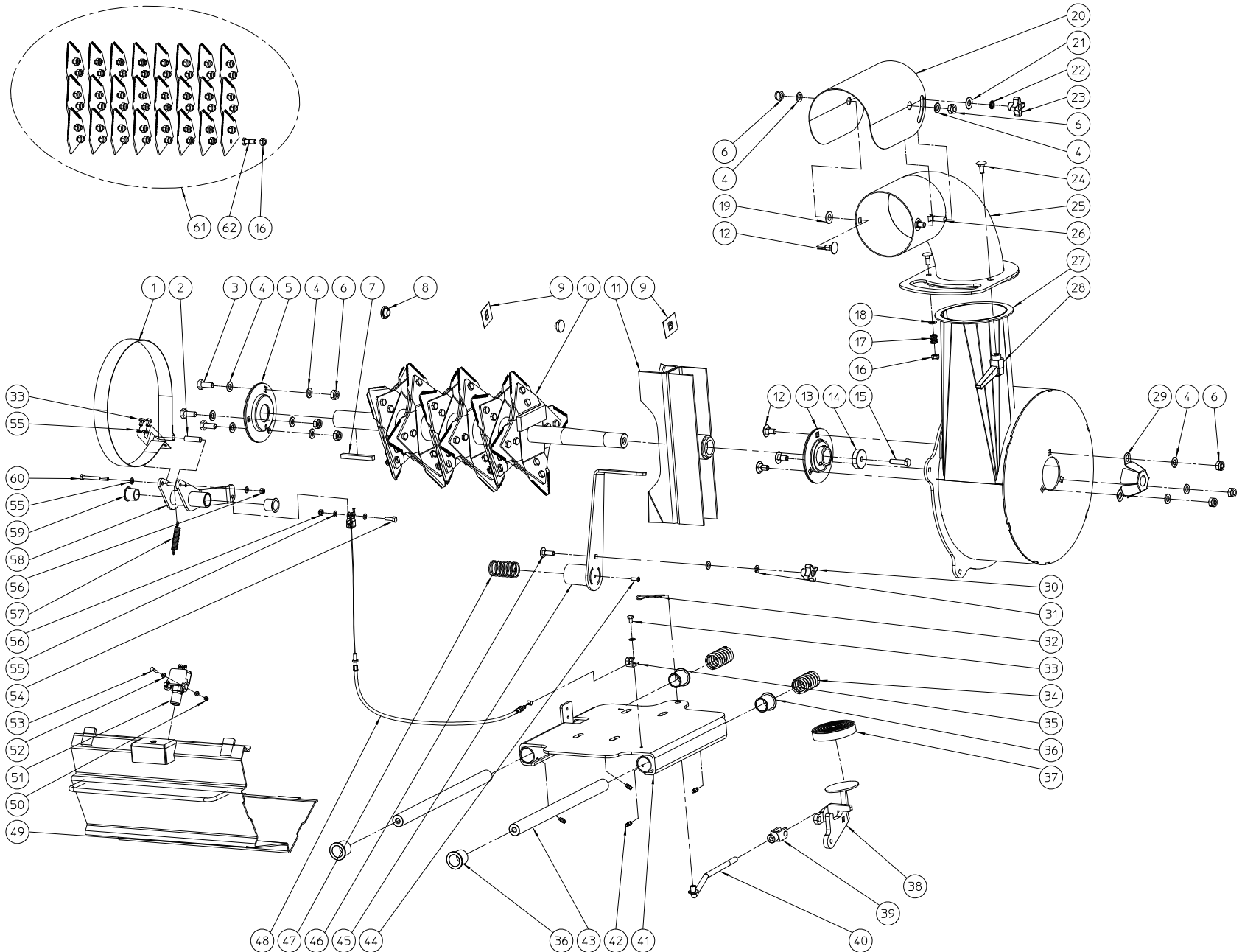
53	MPA 01 051 551	spacer	2
54	BA 161 027 000	sprocket simplex 3/8"x7/32" 27t	1
55	BA 161 011 162	sprocket simplex 3/8"x7/32" 11t	1
56	BB 351 080 715	key 8x7x15 din 6885a	1
57	BS 532 006 224	washer m6x22x2	1
58	MPA 01 050 690	closure plate	1
59	BB 501 306 130	set screw 1/4"x1/2"	2
60	BB 351 060 625	key 6x6x25 din 6885a	1
61	BB 501 310 160	set screw 3/8"x5/8"	2
62	BB 501 111 800	taper lock tl 1108-18	1
63	BB 501 231 600	taper lock tl 1610-1"	1
64	BA 562 707 501	pulley spa 75 tl1108	1
65	BA 562 711 201	pulley spa 112 tl1610	1
66	BA 521 208 000	belt xpa 800	1
67	BS 521 441 025	screw unf 3/8x1" din 912	4
68	MPA 01 050 680	fixing plate pump	1
69	BH 281 101 180	pump support	1
70	BH 281 201 011	gear wheel z14 25x22 din5482 gr 2/1	1
71	BS 511 000 646	bolt m6x70 din 931	4
72	BH 509 211 008	male stud coupling 10lx1/2"	1
73	MPA 01 051 295	right protection	1
74	BH 551 051 551	flexible hydraulic hose 5/16"x1550	1
75	BS 512 000 840	bolt m8x40 din 933	4
76	BQ 501 060 071		1
77	BV 905 000 010	spring 12 x 2 x 281.5	2
78	BH 513 111 206	banjo 12lx3/8"	3
79	BH 280 306 061	support filter element 3/8"" bsp retour	1
80	BT 654 001 901	clam 19mm	1
81	BR 200 213 095	hydraulic pipe 13x19x950mm	1
82	MPA 01 051 575	end piece	1
83	BH 812 345 350	o-ring 34,52 x 3,53 mm viton	1
84	BH 280 212 001	filter element 3/4" retour	1
85	BH 509 211 206	male stud coupling 12lx3/8"	1
86	BH 518 500 600	blanking plug 3/8"	1
87	BY 717 214 014		1
88	MPA 01 051 520	returnpipe	1
89	MPA 01 051 255	fixation filter	1
90	BH 642 020 040		1
91	MPA 01 051 320	returnpipe	1
92	BQ 501 050 130		1
93	BH 802 024 300	o-ring Ø24.2 x 3	1
94	BH 518 501 200		1
95	BH 646 020 040		1
96	BH 509 251 004	male stud coupling 10lx1/4" bo	1
97	BH 518 500 400	blanking plug 1/4"	1
98	BA 230 010 800	ball joint m8	2
99	MPA 01 051 250	control rod valve	1
100	BS 501 000 800	nut m8 din 934	1
101	BS 512 000 616	bolt m6x16 din 933	10
102	MPA 01 051 205	handle pinch roll	1
103	BR 112 120 410	nylon bushing with collar (12/15/25x4/2)	2
104	BR 020 501 250	tube cap Ø 25mm	2

105	MPA 01 051 290	left protection	1
106	BS 554 100 616	bolt m6x16 din 603	2
107	BS 554 100 641	bolt m6x45 din 603	2
108	BQ 501 060 070	sticker in feed roller control	1
109	MPA 01 051 245	protectionplate hydraulic lines	1
110	BH 711 420 010	pipe clamp b-14mm ass.	1
111	BH 551 051 680	flexible hydraulic hose 5/16"x1680	2



ELIET PROF V -- WHEEL TRANSMISSION					
NO	MMA 01 051 130	REV	2	DATE	2014/01/24

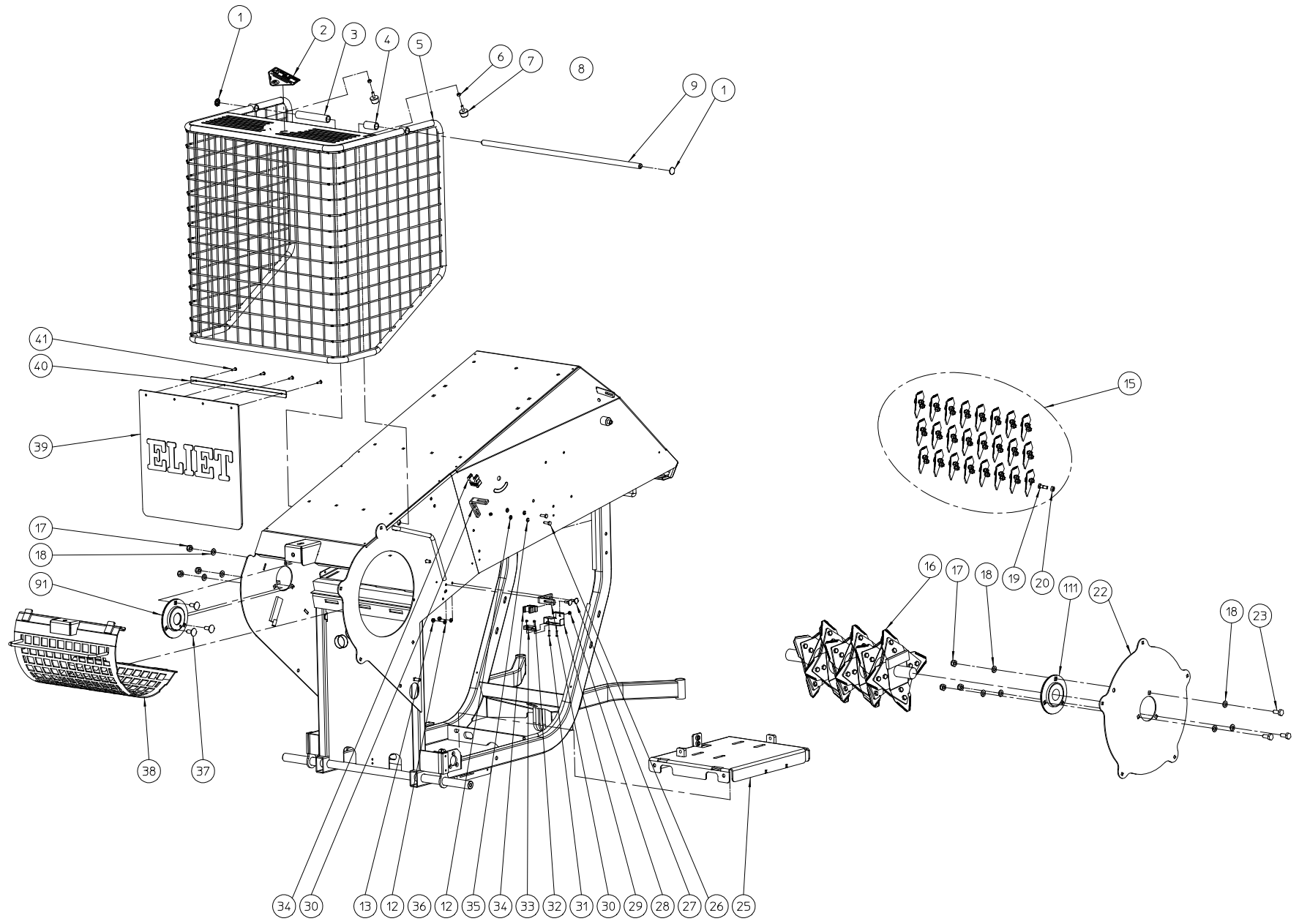
#	Order nr	article description	quantity
1	BB 011 000 080	starlock 8mm	1
2	BR 112 081 300	nylon bushing with collar (8/11/16x13/2)	1
3	MPA 01 051 330	control rod traction	1
4	BH 509 211 004	male stud coupling 10lx1/4"	1
5	BA 230 010 800	ball joint m8	1
6	BS 502 000 600	self locking nut m6 din 985	1
7	BS 531 000 600	washer m6 din 125	1
8	BS 501 000 800	nut m8 din 934	1
9	BH 400 005 000	hydraulic valve bm 20/2 1/4" a1 a8	1
10	MPA 01 050 455	protection wheel drive	1
11	BS 554 100 641	bolt m6x45 din 603	1
12	BS 554 100 616	bolt m6x16 din 603	1
13	BQ 501 050 160	sticker zr 40 x 46	1
14	BS 522 100 616	screw m6x16 din 7991	1
15	BA 603 001 201	gear m3 12t	1
16	BS 532 006 224	washer m6x22x2	1
17	BS 534 000 600	lock washer m6 din 6798a	1
18	BS 522 500 610	screw m6x10 iso 7380	1
19	BY 100 106 100	grease fitting m6 din 71412	1
20	MPA 01 050 450	guard for wheel transmission	1
21	BW 045 025 040	rubber wheel complete + gear wheel	1
22	BB 341 050 516	key 5x5x16 din 6880	1
23	BH 331 203 210	hydraulic engine epmm 32cc	1
24	BH 509 211 006	male stud coupling 10lx3/8"	1
25	BH 512 111 000	rotary l-fitting female 10l	1
26	MPA 01 051 335	tractionpipe	1
27	BH 511 911 000	angular rotary fitting 10l	1
28	BS 521 100 630	screw m6x30 din 912	1
29	BH 711 020 110	pipe clamp rbpr-110	1
30	MPA 01 051 325	support fixation	1
31	MPA 01 051 315	tractiontube 2	1
32	MPA 01 051 310	tractiontube 1	1
33	MPA 01 052 820		1
34	BB 221 104 100	pop plug alu 3.9x10 din 7337 a	1
35	MPA 01 052 830		1
36	BR 910 000 010	nylon bushing with collar (25/30/34x30/15)	1
37	MPA 01 052 810		1



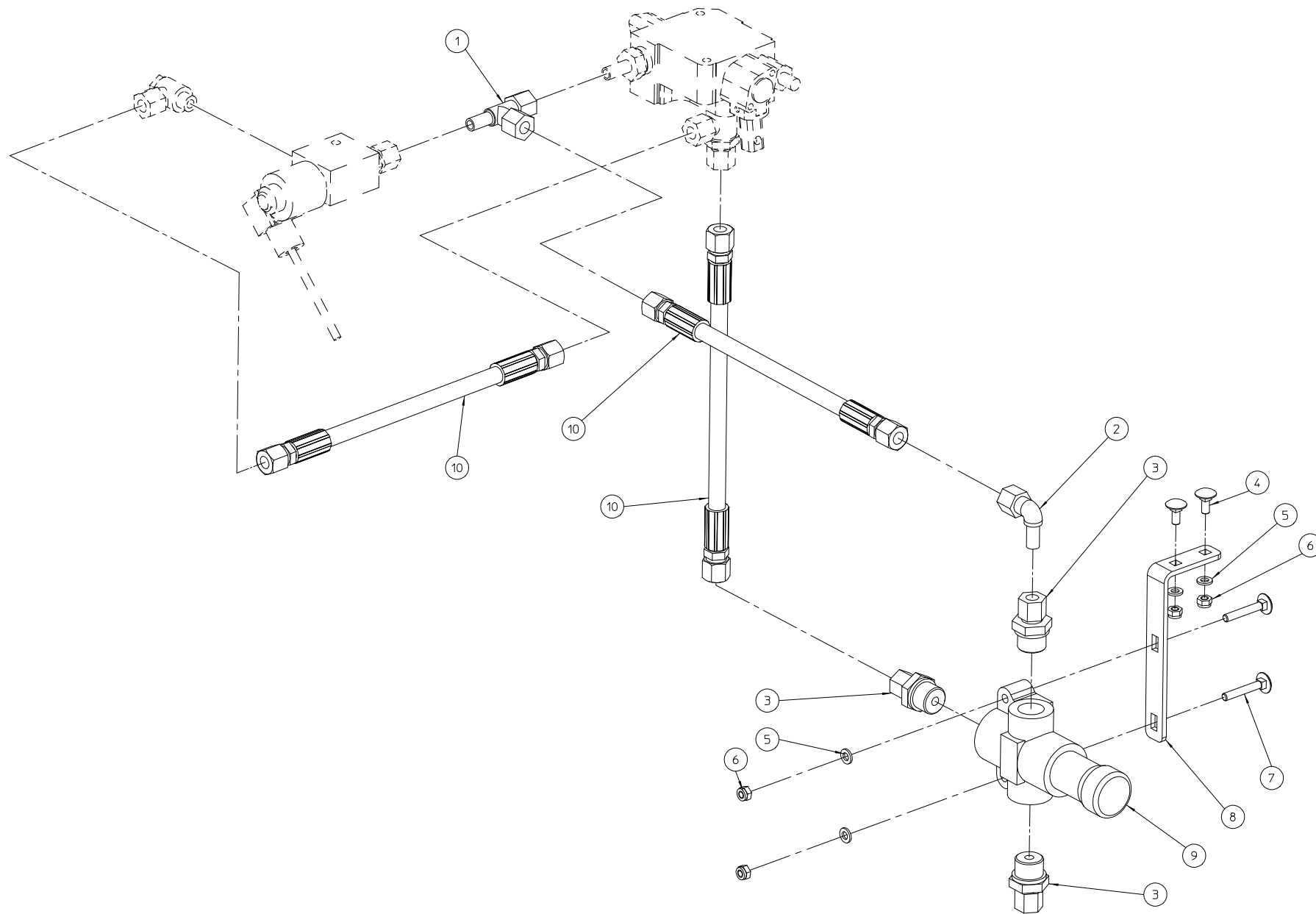
ELIET PROF V -- TRLO				
NO	MMA 01 051 140	REV	2	DATE 2014/01/24

#	Order nr	article description	quantity
1	MPA 01 051 470	brake strap	1
2	MPA 01 051 195	spacer wrap tie	1
3	BS 512 001 025	bolt m10x25 din 933	3
4	BS 531 001 000	washer m10 din 125	11
5	BL 801 503 502	kit bearing aspf 207 complete	1
6	BS 502 001 000	self locking nut m10 din 985	8
7	BB 341 100 875	key 10x8x75 din 6880	1
8	MPA 01 052 040	disc ring	1
9	BQ 501 050 170	sticker blower 40 x 47	2
10	MPA 01 051 450	rotor option	1
11	MPA 01 051 440	propeller	1
12	BS 554 101 020	bolt m10x20 din603	5
13	BL 801 503 001	kit bearing aspf 206 complete	1
14	BR 500 101 600	rubber plug 16.0 x 0.8 - 2.0 mm	2
15	BS 511 081 040	vis 3/8"unf x1"1/2 left	1
16	BS 502 000 800	self locking nut m8 din 985	2
17	BV 911 000 010	spring 14x2x16	2
18	BS 531 000 800	washer m8 din 125	3
19	BR 112 120 410	nylon bushing with collar (12/15/25x4/2)	2
20	MPA 01 051 425	control valve	1
21	BR 111 120 100	nylon bushing (12.2x24x1.3)	1
22	BS 534 001 000	lock washer m10 din 6798a	1
23	BN 630 210 000	lob knob 188-40 m10	1
24	BS 554 100 820	bolt m8x20 din 603	3
25	MPA 01 051 415	elbow turbine	1
26	BS 554 101 040	bolt m10x40 din603	1
27	MPA 01 051 410	turbine	1
28	BN 530 108 800	clamp levers	1
29	MPA 01 051 455	protection	1
30	BN 630 808 400	lob knob 188-40 m8	1
31	BS 533 000 800	lock washer m8 din 127b	1
32	BB 040 102 040	hairpin cotter 2mm din 11024	1
33	BS 512 000 610	bolt m6x10 din 933	3
34	BV 905 030 010	compression spring h.60 dia. di 25 dr.4 galvanised	2
35	MPA 01 051 185	brake cable holder	1
36	BR 112 253 000	nylon bushing with collar (25/30/37x30/2.5)	4
37	BR 900 000 110	rubber socks dia 90x18mm	1
38	MPA 01 051 535	engine pedal	1
39	BS 556 001 000	fork m10x20 din 71752	1
40	MPA 01 051 170	engine shaft	1
41	MPA 01 051 460	engineplate	1
42	BY 100 106 100	grease fitting m6 din 71412	4
43	MPA 01 051 465	guide-axe	2
44	BB 221 105 160	pop plug alu 4.8x16 din 7337 a	1
45	MPA 01 052 020	lever	1
46	BS 554 100 825	bolt m8x25 din 603	1
47	BV 905 000 020	spring	1
48	BK 153 180 910	brake cable	1
49	MPA 01 051 420	closing plate	1
50	BS 502 000 400	self locking nut m4 din 985	2
51	BE 120 030 020	safety switch	1
52	BS 531 000 400	washer m4 din 125	4

53	BS 512 000 420	bolt m4x20 din 933	2
54	BS 512 000 620	bolt m6x20 din 933	1
55	BS 531 000 600	washer m6 din 125	7
56	BS 502 000 600	self locking nut m6 din 985	2
57	BV 912 000 020	spring idler return	1
58	MPA 01 051 165	brake support	1
59	BR 112 202 100	nylon bushing with collar (20/24/29x21/1)	2
60	BS 511 000 644	bolt m6x60 din 931	1
61	BU 401 200 303	set of knives (24)	1
62	BS 011 000 822	bolt m8x22 din 931	1

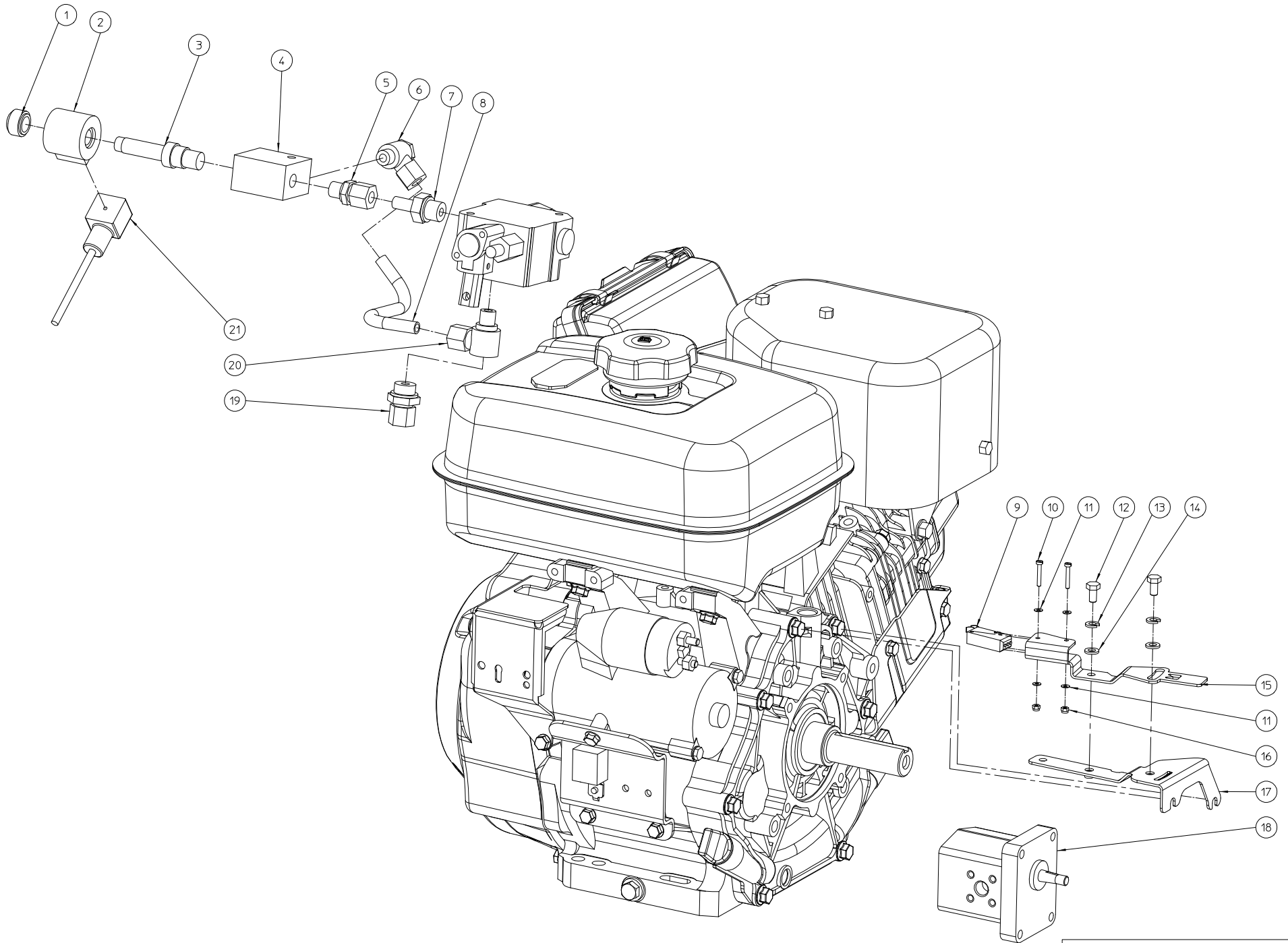


#	Order nr	article description	quantity
1	BB 011 000 090	starlock 9mm	1
2	BQ 505 010 070	safety sticker 100x80 (hand cuts)	1
3	MPA 01 051 115	spacer right	1
4	MPA 01 051 110	spacer left	1
5	MPA 01 051 060	protection net	1
6	BS 501 000 600	nut m6 din 934	1
7	BR 600 425 170	antivibration blocks 25x17b m6x18	1
9	MPA 01 051 105	axe protection net	1
13	BS 502 000 600	self locking nut m6 din 985	1
15	BU 401 200 303	set of knives (24)	1
16	MPA 01 050 500	rotor	1
17	BS 502 001 000	self locking nut m10 din 985	1
18	BS 531 001 000	washer m10 din 125	1
19	BS 011 000 822	bolt m8x22 din 931	1
20	BS 502 000 800	self locking nut m8 din 985	1
22	MPA 01 051 095	closing plate	1
23	BS 512 001 025	bolt m10x25 din 933	1
25	MPA 01 051 120	engineplate	1
27	BS 554 100 620	bolt m6x20 din 603	1
28	BS 501 000 500	nut m5 din 934	1
29	MPA 01 010 200	cover for safety switch	1
30	MPA 01 010 220	bracket for safety switch	1
31	BS 522 500 316	screw m3x16 iso 7380	1
32	BS 502 000 300	self locking nut m3 din 985	1
33	BE 120 010 503	safety switch	1
34	BT 654 001 901	clam 19mm	1
37	BS 554 101 025	bolt m8x60 din603	1
38	MPA 01 051 070	sieve 25x25	1
39	BR 900 001 040	rubber anti projection flap	1
40	MPA 01 050 110	retainer for rubber flap (rear)	1
41	BB 221 105 160	pop plug alu 4.8x16 din 7337 a	4



ELIET PROF V -- REGULATEUR DE DEBIT					
NO	MMA 01 051 170	REV	1	DATE	2014/01/24

#	Order nr	article description	quantity
1	BH 512 111 000	rotary I-fitting female 10l	1
2	BH 511 911 000	angular rotary fitting 10l	1
3	BH 509 221 022	male stud coupling 10lxm22	3
4	BS 554 100 616	bolt m6x16 din 603	2
5	BS 531 000 600	washer m6 din 125	4
6	BS 502 000 600	self locking nut m6 din 985	4
7	BS 554 100 640	bolt m6x40 din 603	2
8	MPA 01 051 550	support regulator	1
9	BH 430 012 200	speed controller mtkavar	1
10	BH 551 040 300	flexible hydraulic hose 1/4"x300	3



#	Order nr	article description	quantity
1	BN 760 120 220	electro magnetic valve nut 1/4	1
2	BH 410 001 300	solenoid 12v dc	1
3	BH 410 001 200	electro magnetic valve slide 1/4"	1
4	BH 410 001 100	electro magnetic valve 1/4"	1
5	BH 509 211 004	male stud coupling 10lx1/4"	1
6	BH 513 111 004	banjo 10lx1/4"	1
7	BH 512 671 006	standpipe adaptor 10sr3/8"	1
8	MPA 01 051 370	pipe ev zr	1
9	BE 120 010 500	safety switch	1
10	BS 541 000 320	screw m3x20 din 84	2
11	BS 531 000 300	washer m3 din 125	4
12	BS 512 000 612	bolt m6x12 din 933	2
13	BS 533 000 600	lock washer m6 din 127b	2
14	BS 531 000 600	washer m6 din 125	2
15	MPA 01 051 355	contact support abm subaru	1
16	BS 502 000 300	self locking nut m3 din 985	2
17	MPA 01 051 375	support abm	1
18	BH 210 402 500	hydraulic pump 1p s2.5 1.6cc	1
19	BH 509 221 017	male stud coupling 10lxm18x1	1
20	BH 513 011 004	banjo with inner hexagon 10lx1/4"	1
21	BH 410 001 410		1