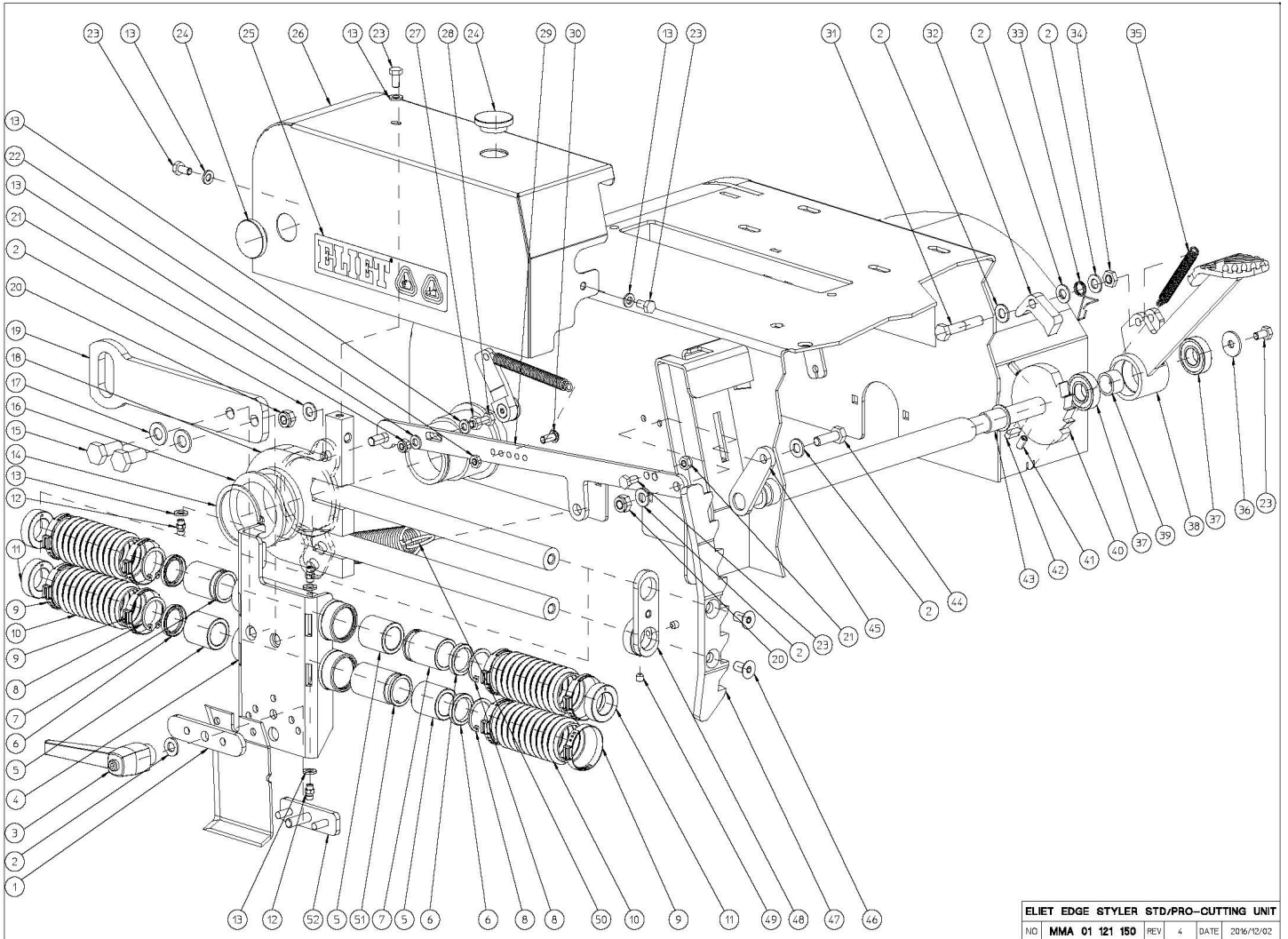


ELIET EDGE STYLER STD 2012-2013					
NO	MMA 01 121 200	REV	4	DATE	2013/11/13

#	Order nr	article description	quantity
150	MMA 01 121 150	eliet edge styler - cutting unit	1
210	MMA 01 121 210	chassis	1
220	MMA 01 121 220	steer	1
230	MMA 01 121 230	transmission	1

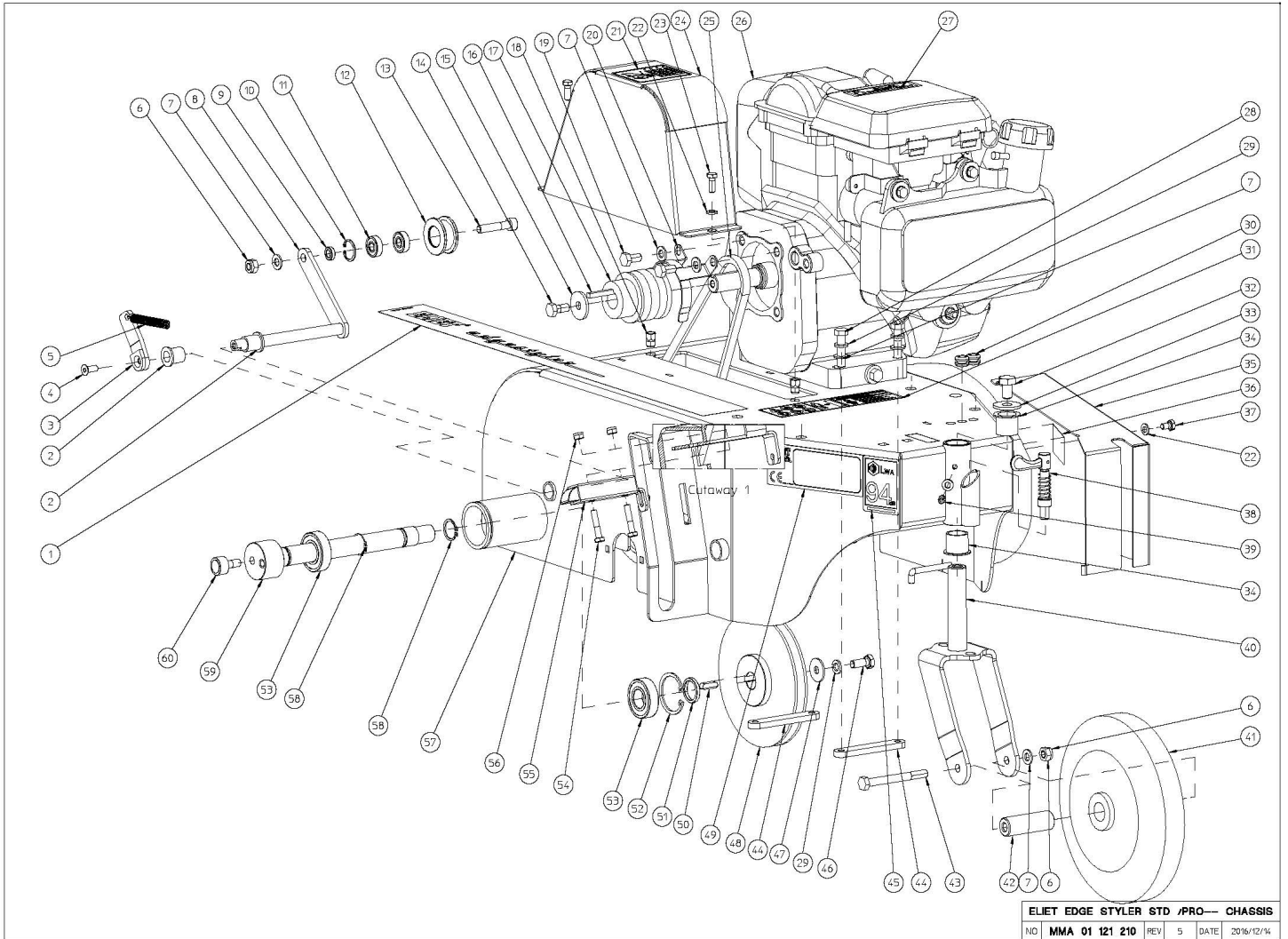
EDGE STYLER STD - 2012 - ELIET EDGE STYLER - CUTTING UNIT



ELIET EDGE STYLER STD/PRO-CUTTING UNIT			
NO	MMA 01 121 150	REV	4
DATE	2016/12/02		

#	Order nr	article description	quantity
1	MPA 01 121 040	mounting piece blades	1
2	BS 531 000 800	washer m8 din 125	7
3	BN 530 108 800	clamp levers	1
4	MPA 01 121 045	blades bearing system	1
5	BL 866 010 010	bronze bush bearing fmtc20	3
6	BR 302 120 284	seal 20x28x4	4
7	MPA 01 121 105	spacer ring bearing 40	2
8	BB 002 000 280	retaining ring 28 din 472	4
9	BT 610 135 381	stepless ear clamp	8
10	BR 000 811 930	rubber dust protection vaj 119	4
11	BR 111 201 010	nylon bushing (20/33x10)	3
12	BY 100 106 100	grease fitting m6 din 71412	3
13	BS 531 000 600	washer m6 din 125	8
14	BB 001 000 500	retaining ring 50 din 471	1
15	BS 512 001 025	bolt m10x25 din 933	2
16	BR 112 503 400	nylon bushing with collar (50/56/67x34/3.5)	2
17	BS 531 001 000	washer m10 din 125	2
18	MPA 01 121 060	blades bearing system	1
19	MPA 01 121 050	link rod	1
20	BS 502 000 800	self locking nut m8 din 985	2
21	BS 502 000 600	self locking nut m6 din 985	2
22	BS 501 900 600	nut m6 din 439	1
23	BS 512 000 612	bolt m6x12 din 933	5
24	BR 500 102 500	rubber plug 25x2	2
25	BQ 505 010 380	safety sticker 165x35 (hand cuts)	1
26	MPA 01 121 275	protection blades	1
27	BS 501 000 600	nut m6 din 934	1
28	BS 512 000 620	bolt m6x20 din 933	1
29	MPA 01 121 350	connecting piece pedal	1
30	BS 522 500 616	screw m6x16 iso 7380	1
31	BS 811 100 841		1
32	MPA 01 121 165	rattle	1
33	BV 922 000 010	spring	1
34	BS 501 900 800	nut m8 din 439	1
35	BV 011 009 007	spring 1x9x75	1
36	BS 532 006 224	washer m6x22x2	1
37	BL 001 503 203	bearing 6002 zz	2
38	MPA 01 121 065	clutch pedal	1
39	MPA 01 121 030	spacer ring	1
40	MPA 01 121 170	rattle disk	1
41	BS 023 000 612	set screw m6x12 din 916	2
42	BB 341 050 516	key 5x5x16 din 6880	1
43	BR 112 152 100	nylon bushing with collar (15.4/18/23x21/1)	2
44	BS 512 000 825	bolt m8x25 din 933	1
45	MPA 01 121 075	support clutch pedal	1
46	BS 522 100 816	screw m8x16 din 7991	2
47	MPA 01 121 135	toothed rack	1
48	MPA 01 121 095	support protection blades	1
49	BS 023 000 606	set screw m6x6 din 916	2
50	BV 919 000 020	spring	1
51	MPA 01 121 100	spacer ring bearing 50	1
52	MPA 01 121 355	clamping plate	1

EDGE STYLER STD - 2012 - CHASSIS

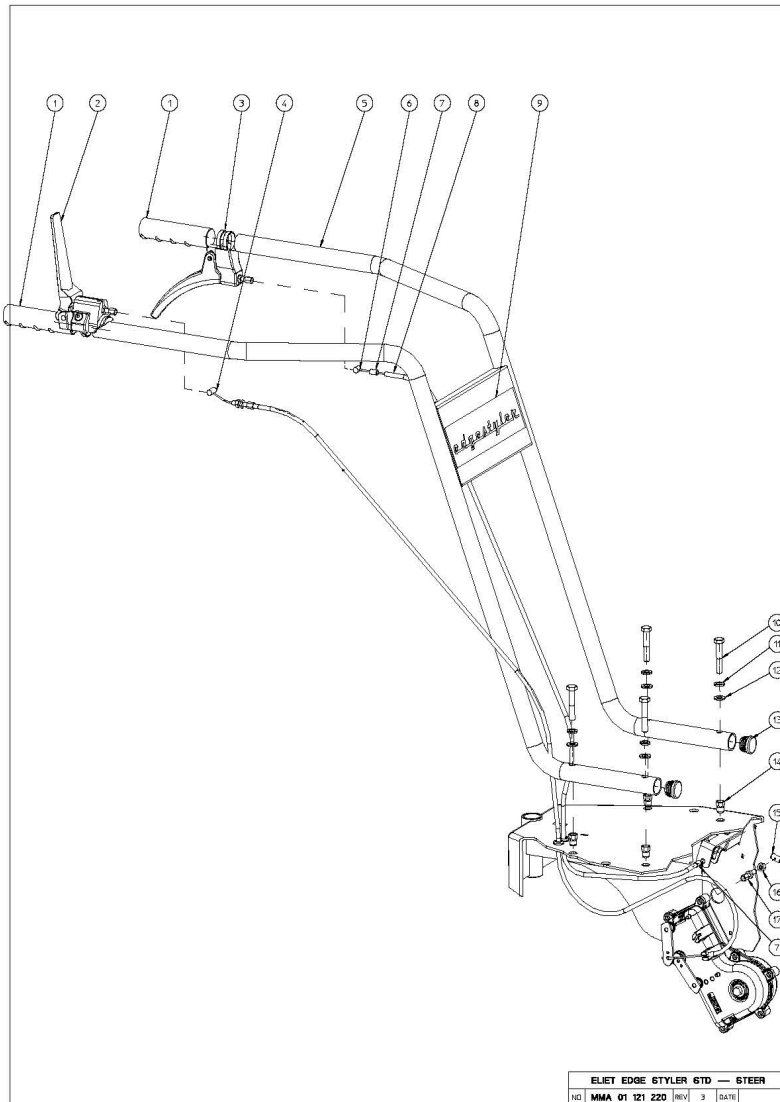


ELIET EDGE STYLER STD /PRO— CHASSIS				
NO	MMA 01 121 210	REV	5	DATE 2016/12/14

#	Order nr	article description	quantity
1	BQ 501 120 090		1
2	BR 112 121 900	nylon bushing with collar (12/16/21x19/2)	2
3	MPA 01 121 085	support belt tightener	1
4	BS 522 100 616	screw m6x16 din 7991	1
5	BV 011 009 007	spring 1x9x75	1
6	BS 502 000 800	self locking nut m8 din 985	2
7	BS 531 000 800	washer m8 din 125	8
8	MPA 01 121 080	lever belt tightener	1
9	MPA 01 121 090	spacer bush 4,5 idler	1
10	BB 002 000 220	retaining ring 22 din 472	1
11	BL 000 802 203	bearing ezo 608 zz	2
12	BA 599 006 201	idler roller Ø32	1
13	BS 521 100 840		1
14	BS 512 040 819	bolt unf 5/16"x3/4"	1
15	BS 532 008 306	washer m8x30x3	1
16	BB 342 050 544	key 4.7x4.7x44 din 6880	1
17	BA 564 005 021	pulley spz ii 50	1
18	BS 503 800 674	blind rivet nut with reduced countersunk and hexagonal shaft m6	2
19	BS 512 000 816	bolt m8x16 din 933	2
20	MPA 01 121 230	belt catcher	1
21	BQ 505 010 370	safety sticker 70x56 (belt transmission)	1
22	BS 531 000 600	washer m6 din 125	4
23	BS 512 000 616	bolt m6x16 din 933	2
24	MPA 01 121 025	transmission guard	1
25	BA 521 109 370	belt xpz 937	1
26	BM 202 004 000	honda gc 135	1
27	BQ 505 010 020	sticker max 2800 rpm 90x25	1
28	BS 511 000 835	bolt m8x35 din 931	4
29	BS 533 000 800	lock washer m8 din 127b	5
30	BR 000 208 030	rubber grommets 8/3	2
31	BQ 505 010 171	safety sticker 70x115 (pictogram)	1
32	BS 512 001 016	bolt m10x16 din 933	1
33	BS 532 010 305	washer m10x30x2.5	1
34	BR 112 202 100	nylon bushing with collar (20/24/29x21/1)	2
35	MPA 01 121 340	protection pedal	1
36	BQ 501 010 010	sticker eliet 65x30	1
37	BS 512 000 610	bolt m6x10 din 933	1
38	BO 100 010 104	pull-lock with wing handle 10mm	1
39	BY 100 106 100	grease fitting m6 din 71412	1
40	MPA 01 121 250	fork caster wheel	1
41	BW 120 020 000	wheel 200/50	1
42	MPA 01 121 120	axle caster wheel	1
43	BS 511 000 848	bolt m8x80 din 931	1
44	MPA 01 121 255	clamping plate engine	2
45	BQ 505 112 094	sticker sound level 94 db	1
46	BS 512 000 820	bolt m8x20 din 933	1
47	BS 532 008 254	washer m8x25x2	1
48	BA 564 714 001	pulley spz ii 140	1
49	BQ 505 010 010	identity sticker ce 120x30	1
50	BB 351 060 620	key 6x6x20 din 6885a	1
51	MPA 01 121 270	spacer ring pulley	1
52	BB 002 000 420	retaining ring 42 din 472	1

53	BL 002 004 203	bearing 6004 zz	2
54	BS 511 000 630	bolt m6x30 din 931	2
55	BO 360 504 180	draw-bolt 90°	1
56	BS 502 000 600	self locking nut m6 din 985	2
57	MPA 01 121 450	chassis	1
58	BB 001 000 200	retaining ring 20 din 471	2
59	MPA 01 121 210	axle eccentric	1
60	BL 620 801 905	stud type track rollers kr19	1

EDGE STYLER STD - 2012 - STEER



#	Order nr	article description	quantity
1	BN 230 100 408	plastic grip 1"	2
2	BN 332 500 140	control handle	1
3	BN 332 500 220	control handle	1
4	BK 153 181 537		1
5	MPA 01 121 260	lower steering bracket	1
6	BK 151 181 470		1
7	BK 214 070 010		2
8	BK 212 061 300		1
9	BQ 501 120 080	sticker eliet edge styler	1
10	BS 511 000 841	bolt m8x45 din 931	4
11	BS 533 000 800	lock washer m8 din 127b	4
12	BS 531 000 800	washer m8 din 125	4
13	BR 020 501 250	tube cap Ø 25mm	2
14	BS 503 800 874	blind rivet nut with reduced countersunk and hexagonal shaft m8	4
15	BK 170 208 000	cable fastener 8x15mm	1
16	BS 501 000 600	nut m6 din 934	1
17	BK 610 100 600	cable set screw m6x34	1

#	Order nr	article description	quantity
1	BL 801 101 200	bearing + flanges aspf1 201	2
2	BS 554 100 616	bolt m6x16 din 603	4
3	BS 532 506 276	washer m6x27x3	2
4	BS 522 100 616	screw m6x16 din 7991	2
5	BS 531 000 600	washer m6 din 125	4
6	BS 502 000 600	self locking nut m6 din 985	11
7	MPA 01 121 280	support gear	1
8	BS 532 006 224	washer m6x22x2	6
9	BS 554 100 625	bolt m6x25 din 603	2
10	BW 526 028 502	wheel complete traction right	1
11	BS 554 100 620	bolt m6x20 din 603	2
12	MPA 01 121 130	support gear 2	1
13	BR 112 121 900	nylon bushing with collar (12/16/21x19/2)	1
14	BV 011 311 005	spring 1,3x11x55	1
15	BS 512 000 643	bolt m6x55 din 933	1
16	BA 670 405 401	reduction gearboxes edge styler	1
17	BB 351 040 440	key 4x4x40 din 6885a	1
18	BR 112 121 000	nylon bushing with collar (12/16/21x10/2)	1
19	BS 023 000 612	set screw m6x12 din 916	4
20	BA 564 712 501	pulley spz ii 125	1
21	BA 521 108 000	belt xpz 800	1
22	MPA 01 121 205	ring clamp left wheel	1
23	BR 910 000 380	nylon bushing edge styler	0
24	BW 526 028 501	wheel complete traction left	1
25	BY 100 106 100	grease fitting m6 din 71412	0
26	BA 240 301 200	wheel clutch drive system Ø12 x 28,65 x 38	0