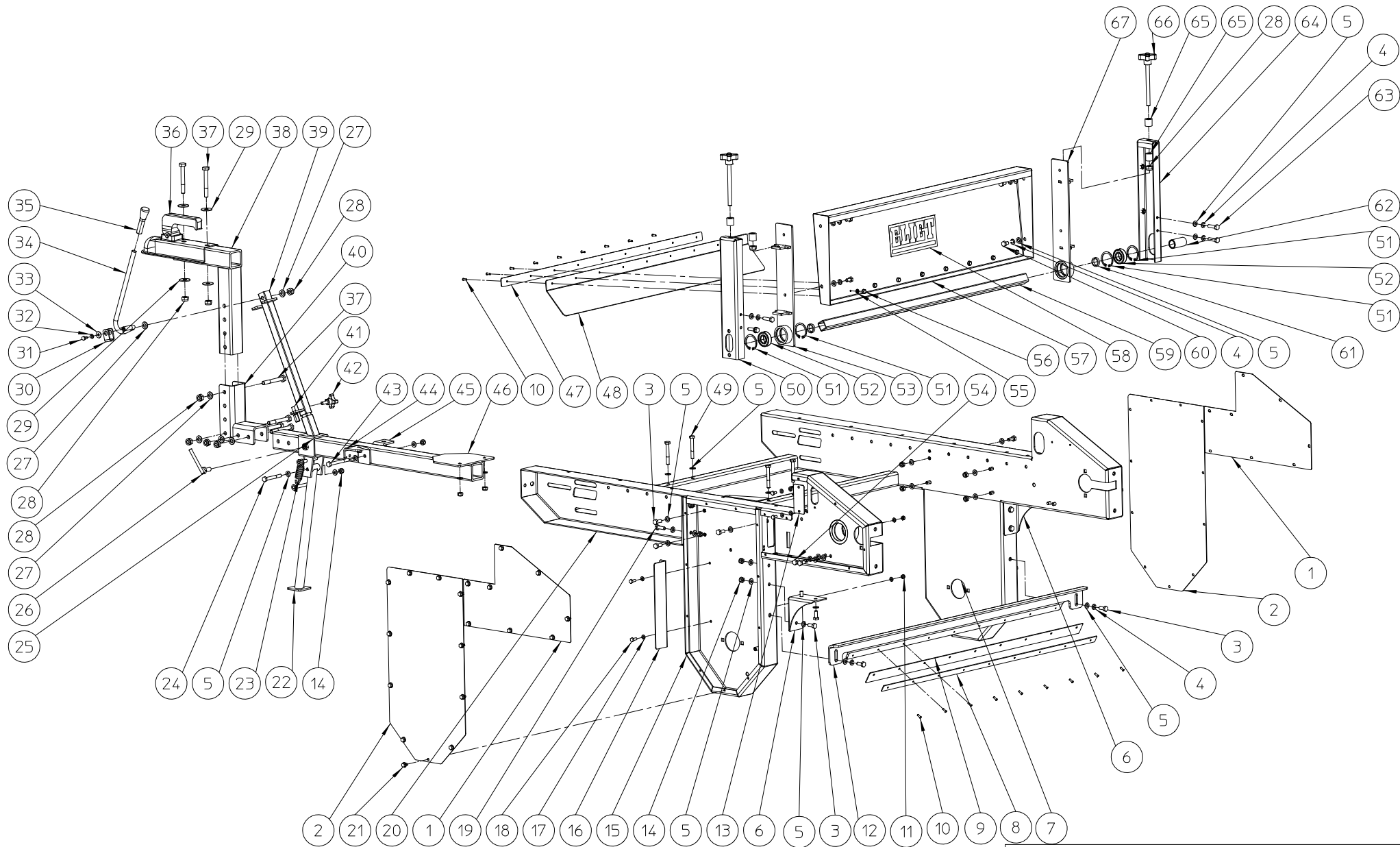


ELIET ECO CURE -- GENERAL					
NO	MMA 01 320 100	REV	1	DATE	2014/01/24

#	Order nr	article description	quantity
1	MMA 01 320 110	frame transmission	1
2	MMA 01 320 120	container	1
3	MMA 01 320 130	aerator brush	1
4	MMA 01 320 150	electric	1
5	MMA 01 320 140	transmission	1

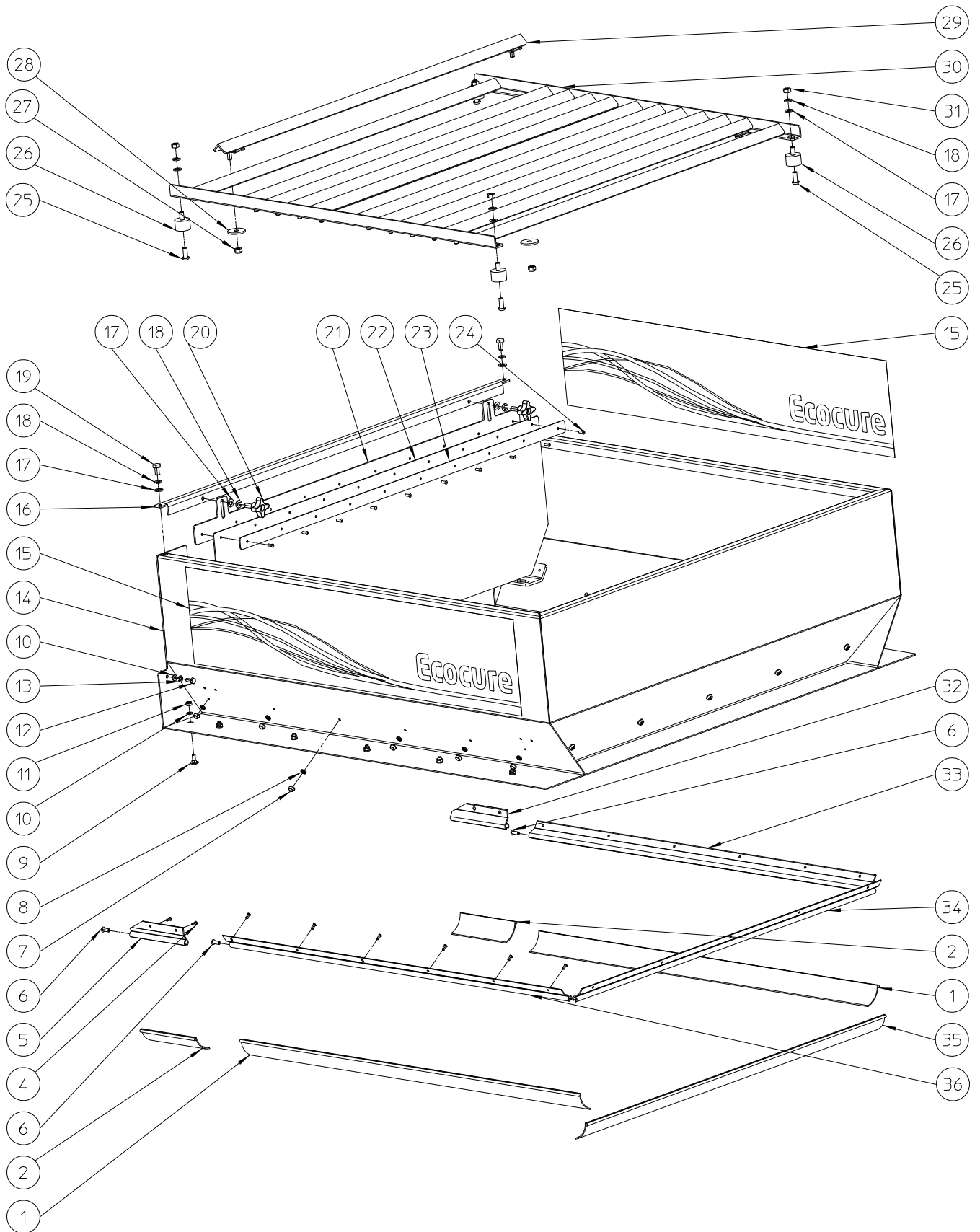


ELIET ECO CURE -- CHASSIS TRANSSION

NO	MMA 01 320 110	REV	1	DATE	2014/01/24
----	----------------	-----	---	------	------------

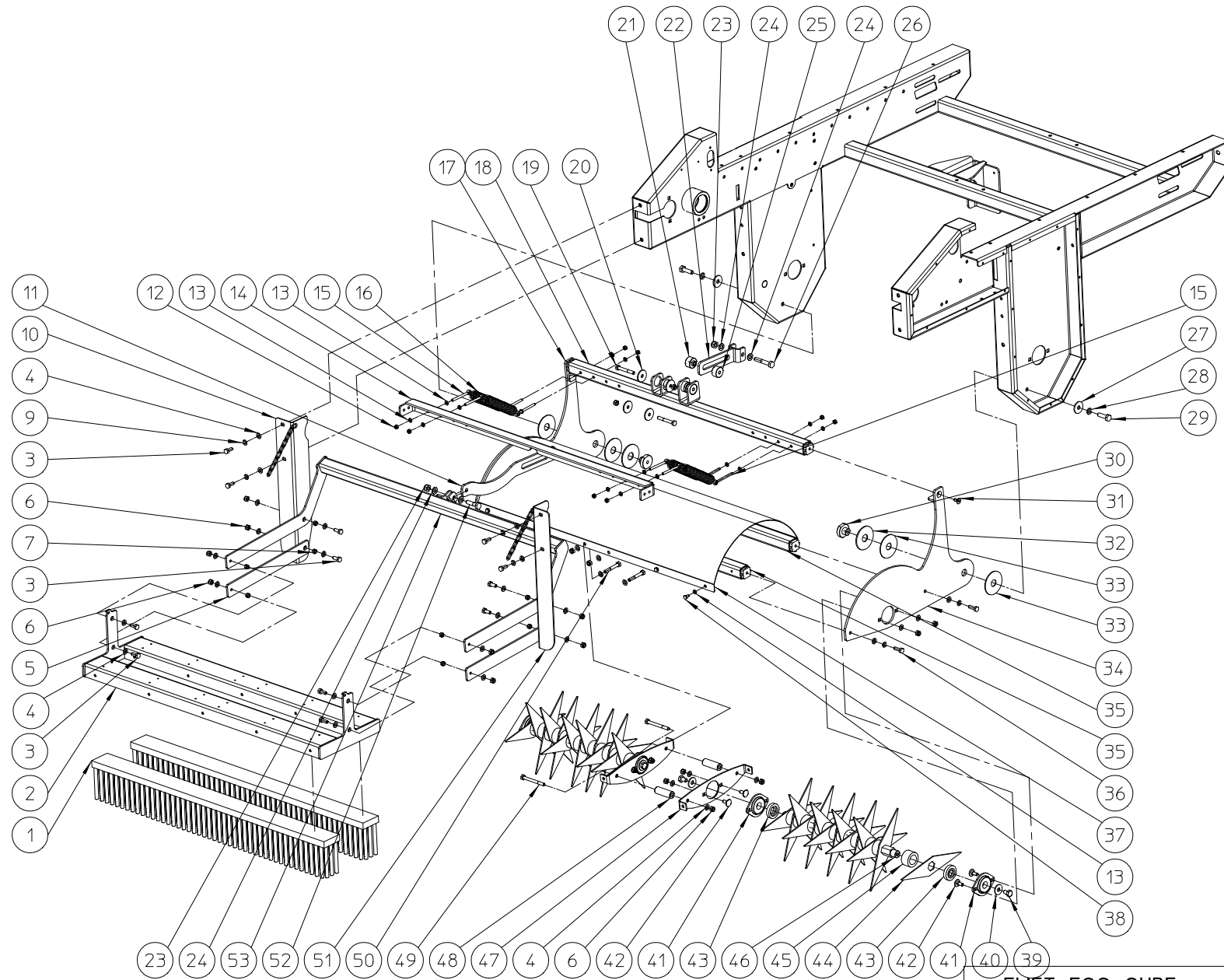
#	Order nr	article description	quantity
1	MPA 01 320 620	cover beam	2
2	MPA 01 320 610	cover column	2
3	BS 512 000 820	bolt m8x20 din 933	17
4	BS 533 000 800	lock washer m8 din 127b	14
5	BS 531 000 800	washer m8 din 125	65
6	MPA 01 320 660	reinforcement column	2
7	MPA 01 320 070	support roller right	1
8	MPA 01 320 870	clampprofile scraper	1
9	BR 910 000 460	ertalon scraper 900x35x2 mm	1
10	BB 221 104 120	pop plug alu 3.9x12 din 7337 a	18
11	BS 502 000 600	self locking nut m6 din 985	2
12	MPA 01 320 570	bracket scraper	1
13	MPA 01 320 600	cover bearing dosingtube	1
14	BS 502 000 800	self locking nut m8 din 985	25
15	MPA 01 320 060	support roller left	1
16	MPA 01 320 700	beltguide	1
17	BS 531 000 600	washer m6 din 125	6
18	BS 512 000 616	bolt m6x16 din 933	2
19	BS 512 000 825	bolt m8x25 din 933	4
20	MPA 01 321 130	under-frame eco cure	1
21	BS 511 400 610	hexagon flange bolts m6x10 din 6921	38
22	MPA 01 320 080	foot shaft	1
23	BV 916 000 030	spring	1
24	BS 511 000 845	bolt m8x65 din 931	1
25	MPA 01 320 050	shaftholder control & foot	1
26	MPA 01 320 310	lock foot shaft	1
27	BS 531 001 000	washer m10 din 125	11
28	BS 502 001 000	self locking nut m10 din 985	9
29	BS 532 010 305	washer m10x30x2.5	4
30	MPA 01 320 690	u cablefastener control	1
31	BS 512 000 612	bolt m6x12 din 933	3
32	BS 533 000 600	lock washer m6 din 127b	3
33	BS 532 006 183	washer m6x18x1.5	1
34	MPA 01 320 110	control lever traction	1
35	BN 230 100 700	grip	1
36	BY 709 200 200	coupler head	1
37	BS 511 001 048	bolt m10x80 din 931	6
38	MPA 01 320 030	uppershaft [150x220x300	1
39	MPA 01 320 100	controlsupport	1
40	MPA 01 320 040	coupler under/uppershaft	1
41	BK 610 100 800	cable set screw m8x34	1
42	BN 630 208 200	lob knob m8x20	1
43	BS 511 000 848	bolt m8x80 din 931	1
44	MPA 01 321 150	support angle	1
45	MPA 01 320 530	bracket undershaft	1
46	MPA 01 320 020	shaft under	1
47	MPA 01 320 580	clampprofile scraper	1
48	BR 910 000 470	ertalon strip 850x125x2 mm	1
49	BS 511 000 844	bolt m8x60 din 931	4
50	MPA 01 320 160	u doorsupport left	1
51	BB 002 000 420	retaining ring 42 din 472	4
52	BL 002 004 203	bearing 6004 zz	2

53	MPA 01 320 180	guide door left	1
54	BS 512 000 816	bolt m8x16 din 933	4
55	BR 011 800 100	clips (4/10x3)	9
56	BR 010 209 120	plastic cap type 4 orange hd-pe	9
57	MPA 01 320 240	door tank	1
58	BQ 501 010 030	sticker eliet 200x90	1
59	MPA 01 320 500	dosingrotor tube	1
60	BS 512 000 814	bolt m8x14 din 933	4
61	MPA 01 320 810	spacer dosingrotor	2
62	MPA 01 320 800	spacer gearwheel 14t rotor	1
63	BS 512 000 830	bolt m8x30 din 933	4
64	MPA 01 320 150	u doorsupport right	1
65	BR 111 102 010	nylon bushing (10/20x20)	4
66	BN 630 210 500	lob knob 189-50 m10x120	2
67	MPA 01 320 170	u doorsupport right	1



ELIET ECO CURE -- CONTAINER					
NO	MMA 01 320 120	REV	1	DATE	2014/01/24

#	Order nr	article description	quantity
1	BY 431 306 093	deflector strip Ø5+60x930 mm	2
2	BY 431 306 015	deflector strip Ø5+60x150 mm	2
4	BB 221 004 100	pop plug steel 3.9x10	21
5	MPA 01 321 200	guideback-left	1
6	BB 221 106 160	pop plug alu 6x16 din 7337 a	4
7	BR 010 209 120	plastic cap type 4 orange hd-pe	17
8	BR 011 800 100	clips (4/10x3)	17
9	BS 554 100 616	bolt m6x16 din 603	12
10	BS 531 000 600	washer m6 din 125	14
11	BS 502 000 600	self locking nut m6 din 985	12
12	BS 512 000 616	bolt m6x16 din 933	2
13	BS 533 000 600	lock washer m6 din 127b	2
14	MPA 01 320 120	tank	1
15	BQ 501 240 010	sticker eliet 900x200mm	2
16	MPA 01 320 860	profile dosagepanel	1
17	BS 531 000 800	washer m8 din 125	12
18	BS 533 000 800	lock washer m8 din 127b	12
19	BS 512 000 816	bolt m8x16 din 933	6
20	BN 630 208 200	lob knob m8x20	2
21	MPA 01 320 710	support dosagepanel	1
22	BR 910 000 480	ertalon strip 945x313x2 mm	1
23	MPA 01 320 590	clampprofile scraper dosage plate	1
24	BB 221 104 120	pop plug alu 3.9x12 din 7337 a	10
25	BS 522 500 820	screw m8x20 iso 7380	4
26	BR 600 130 201	antivibration blocks 30x20b m8x20	4
27	BS 502 000 800	self locking nut m8 din 985	20
28	BS 532 008 356	washer m8x35x3	20
29	MPA 01 320 350	adjustable grid profile	10
30	MPA 01 320 300	grid support	1
31	BS 501 000 800	nut m8 din 934	4
32	MPA 01 321 190	guide back-left	1
33	MPA 01 321 170	guide front-left	1
34	MPA 01 321 210	guide face	1
35	BY 436 306 087	deflector strip Ø5+60x870 mm	1
36	MPA 01 321 180	guide front-rechts	1



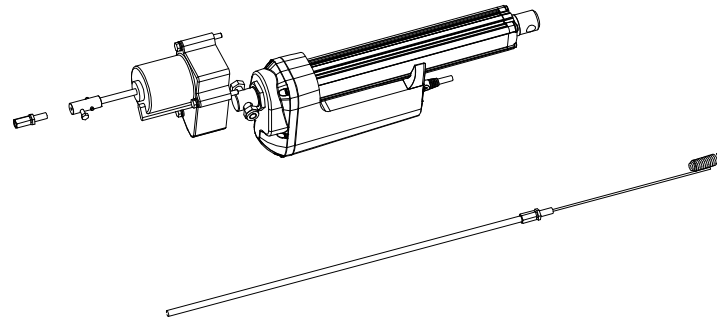
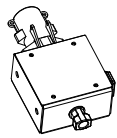
**ELIET ECO CURE -- AERATOR BRUSH**

NO	MMA 01 320 130	REV	1	DATE	2014/01/24
----	----------------	-----	---	------	------------

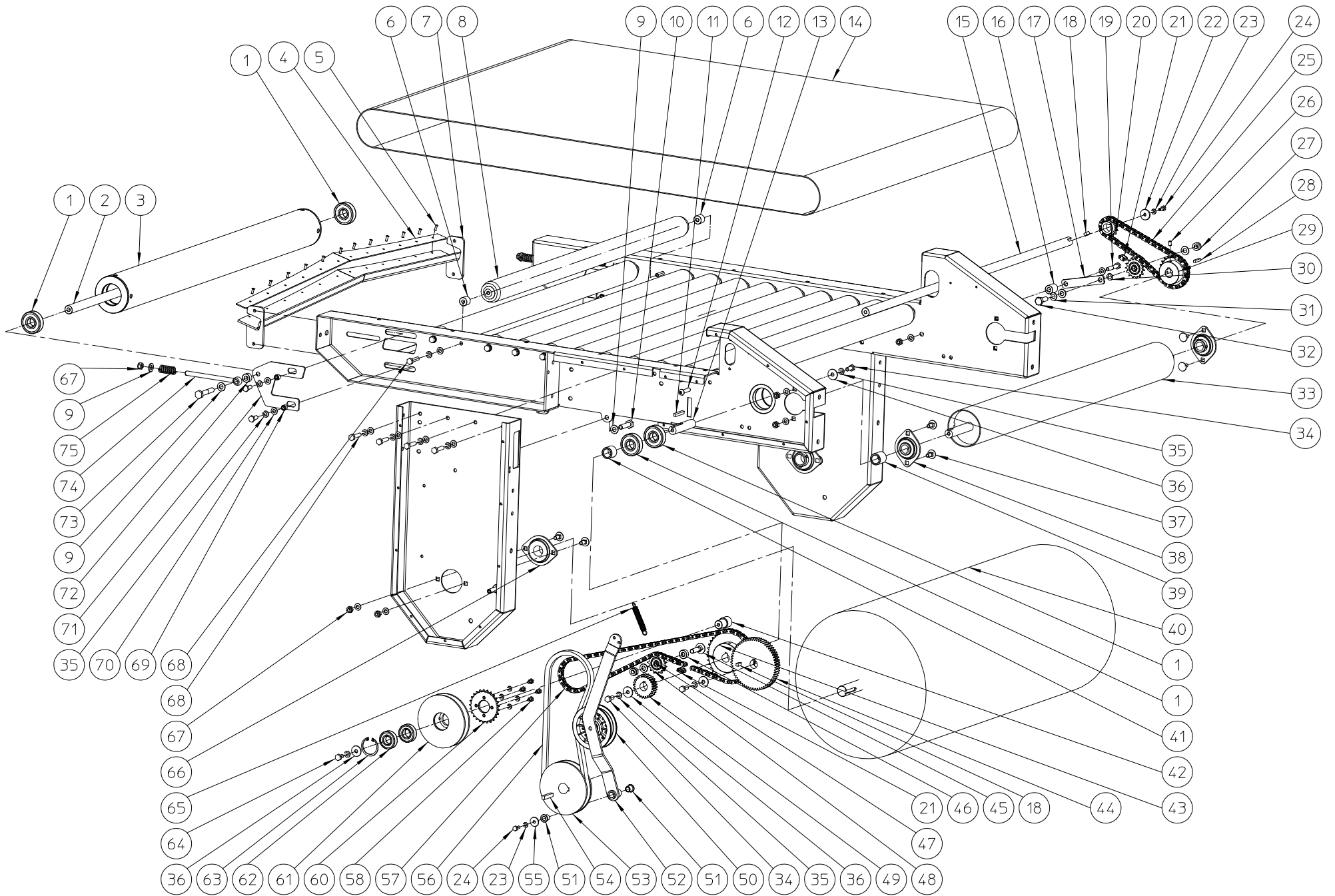


#	Order nr	article description	quantity
1	BG 741 421 600	brush	2
2	MPA 01 320 280	brushsupport chassis	1
3	BS 512 000 820	bolt m8x20 din 933	12
4	BS 531 000 800	washer m8 din 125	44
5	MPA 01 320 560	hingearm brushsupport	2
6	BS 502 000 800	self locking nut m8 din 985	24
7	MPA 01 320 850	spacer lifting arms aerator	8
9	BS 533 000 800	lock washer m8 din 127b	8
10	MPA 01 320 270	angle iron brushsupport left	1
11	MPA 01 320 900	lift rod brushsupport	1
12	BS 502 000 600	self locking nut m6 din 985	8
13	BS 531 000 600	washer m6 din 125	24
14	MPA 01 320 320	spring support profile	1
15	BS 551 000 646	eye bolt m6x70 din 444	8
16	BV 919 000 010	spring	4
17	MPA 01 320 210	left aerator	1
18	MPA 01 320 190	guide door right	1
19	BS 511 000 844	bolt m8x60 din 931	2
20	BS 532 008 356	washer m8x35x3	4
21	MPA 01 320 640	hingepiece lifting profile	2
22	MPA 01 320 400	fork	1
23	BS 502 001 000	self locking nut m10 din 985	2
24	BS 531 001 000	washer m10 din 125	4
25	MPA 01 320 650	hingering lifting profile	2
26	BS 511 001 044	bolt m10x60 din 931	1
27	BS 532 010 355	washer m10x35x2.5	2
28	BS 533 001 000	lock washer m10 din 127b	2
29	BS 512 001 035	bolt m10x35 din 933	2
30	MPA 01 320 820	hingepiece aerator	2
31	BS 522 100 816	screw m8x16 din 7991	2
32	MPA 01 321 534	spacer ring hingepoint aerator	2
33	BR 910 000 500	ertalon bushing Ø70x2xØ20	4
34	MPA 01 320 220	right aerator	1
35	MPA 01 320 200	support tube rotor protection	2
36	BS 512 000 825	bolt m8x25 din 933	4
37	MPA 01 320 510	protection aerator	1
38	BS 512 000 610	bolt m6x10 din 933	8
39	BS 512 001 016	bolt m10x16 din 933	4
40	BS 532 010 305	washer m10x30x2.5	4
41	BL 801 102 000	bearing + flanges cspfl 204	4
42	BS 554 100 820	bolt m8x20 din 603	9
43	MPA 01 080 510	spacer ring 20x45x10mm	4
44	MPA 01 320 540	blade aerator	30
45	BR 111 292 510	nylon bushing (28.5/44x25)	28
46	MPA 01 320 550	blad shaft	2
47	MPA 01 320 680	blad shaft support	2
48	MPA 01 321 250	spacer	2
49	BS 511 000 848	bolt m8x80 din 931	2
50	BS 511 000 843	bolt m8x55 din 931	4
51	MPA 01 320 260	angle iron brushsupport right	1
52	BS 511 001 040	bolt m10x40 din 931	1
53	MPA 01 320 360	lifting arm	1





ELIET ECO CURE -- ELECTRICITY					
NO	MMA 01 320 150	REV	1	DATE	2014/01/24



**ELIET ECO CURE -- TRANSMISSION**

NO	MMA 01 320 140	REV	1	DATE	2014/01/31
----	----------------	-----	---	------	------------

#	Order nr	article description	quantity
1	BL 002 005 203	bearing 6304 2rz	4
2	MPA 01 321 070	shaft idler Ø20	1
3	MPA 01 321 140	idler	1
4	BR 910 000 490	ertalon scraper 942x48x2 mm	1
5	BB 221 104 120	pop plug alu 3.9x12 din 7337 a	12
6	MPA 01 320 740	spacer ring castor	22
7	MPA 01 320 230	iron scraper	1
8	BY 450 010 910	roller Ø50 l:910	11
9	BS 531 001 000	washer m10 din 125	8
10	BS 512 001 040	bolt m10x40 din 933	1
11	BB 341 060 640	key 6x6x40 din 6880	1
12	BS 522 500 835	screw m8x35 iso 7380	1
13	MPA 01 321 060	shaft gearwheel Ø20	1
14	BY 431 493 262	conveyer eco cure	1
15	MPA 01 320 290	shaft rotor	1
16	MPA 01 320 760	spacer ring chain tightener	1
17	MPA 01 320 720	arm chain tightener	1
18	BB 341 060 615	key 6x6x15 din 6880	2
19	BS 511 000 841	bolt m8x45 din 931	1
20	BA 161 014 201	sprocket simplex 3/8"x7/32" 14t	1
21	BA 151 200 000	connecting chain link simplex 3/8"x7/32"	2
22	BS 532 006 276	washer m6x27x3	1
23	BS 533 000 600	lock washer m6 din 127b	6
24	BS 512 000 616	bolt m6x16 din 933	2
25	BA 101 063 020	chain simplex 3/8"x7/32" 63l	1
26	BS 023 000 610	set screw m6x10 din 916	6
27	BS 502 001 000	self locking nut m10 din 985	2
28	BB 341 050 525	key 5x5x25 din 6880	1
29	BA 161 024 201	sprocket simplex 3/8"x7/32" 24t	1
30	BS 036 001 005	precision washer 16x8x1	1
31	BS 533 001 000	lock washer m10 din 127b	1
32	BS 512 001 030	bolt m10x30 din 933	1
33	MPA 01 321 120	feeders band	1
34	BS 512 000 820	bolt m8x20 din 933	7
35	BS 533 000 800	lock washer m8 din 127b	29
36	BS 532 008 254	washer m8x25x2	4
37	BS 554 100 820	bolt m8x20 din 603	8
38	BL 801 102 002	bearing + flanges ucpfl 204	2
39	MPA 01 321 090	spacer Ø20	1
40	MPA 01 320 090	tractionroll	1
41	MPA 01 321 080	spacer chain wheel	1
42	MPA 01 320 780	shaft belt pulley/chain wheel	1
43	BA 161 040 201	sprocket simplex 3/8"x7/32" 40t	1
44	BA 602 006 002	gear m2 60t	1
45	BS 554 101 040	bolt m10x40 din603	1
46	MPA 01 320 890	spacer chain wheel	1
47	BL 001 003 003	bearing 6200 2rz	2
48	BA 161 015 300	sprocket simplex 3/8"x7/32" 15t	2
49	BA 602 002 602	gear m2 26t	1
50	BA 599 203 100	idler roller Ø90	1
51	BR 112 101 500	nylon bushing with collar (10/13/18x15/2)	2
52	MPA 01 320 250	support belt tightener	1

53	BA 566 711 802	pulley spb 118x25x8	1
54	BB 341 080 740	key 8x7x40 din 6880	1
55	BS 532 006 224	washer m6x22x2	1
56	BA 522 509 400	belt lb 37	1
57	BA 101 125 020	chain simplex 3/8"x7/32" 125l	1
58	BS 512 000 610	bolt m6x10 din 933	4
60	BA 161 025 301	sprocket simplex 3/8"x7/32" 25t	1
61	BA 566 711 803	pulley spb 118x42	1
62	BL 002 004 203	bearing 6004 zz	2
63	BB 002 000 420	retaining ring 42 din 472	1
64	BS 512 000 816	bolt m8x16 din 933	1
65	BV 923 000 060	spring	1
66	BL 801 102 500	bearing + flanges aspfl 205	2
67	BS 502 000 800	self locking nut m8 din 985	10
68	BS 512 000 835	bolt m8x35 din 933	21
69	MPA 01 321 110	spacer ring scraper idler	4
70	BS 531 000 800	washer m8 din 125	36
71	MPA 01 321 100	control plate scraper idler	2
72	MPA 01 320 750	spacer ring idler	2
73	BS 511 001 044	bolt m10x60 din 931	2
74	BS 551 001 054	eye bolt m10x140 din 444	2
75	BV 924 000 010	spring	2