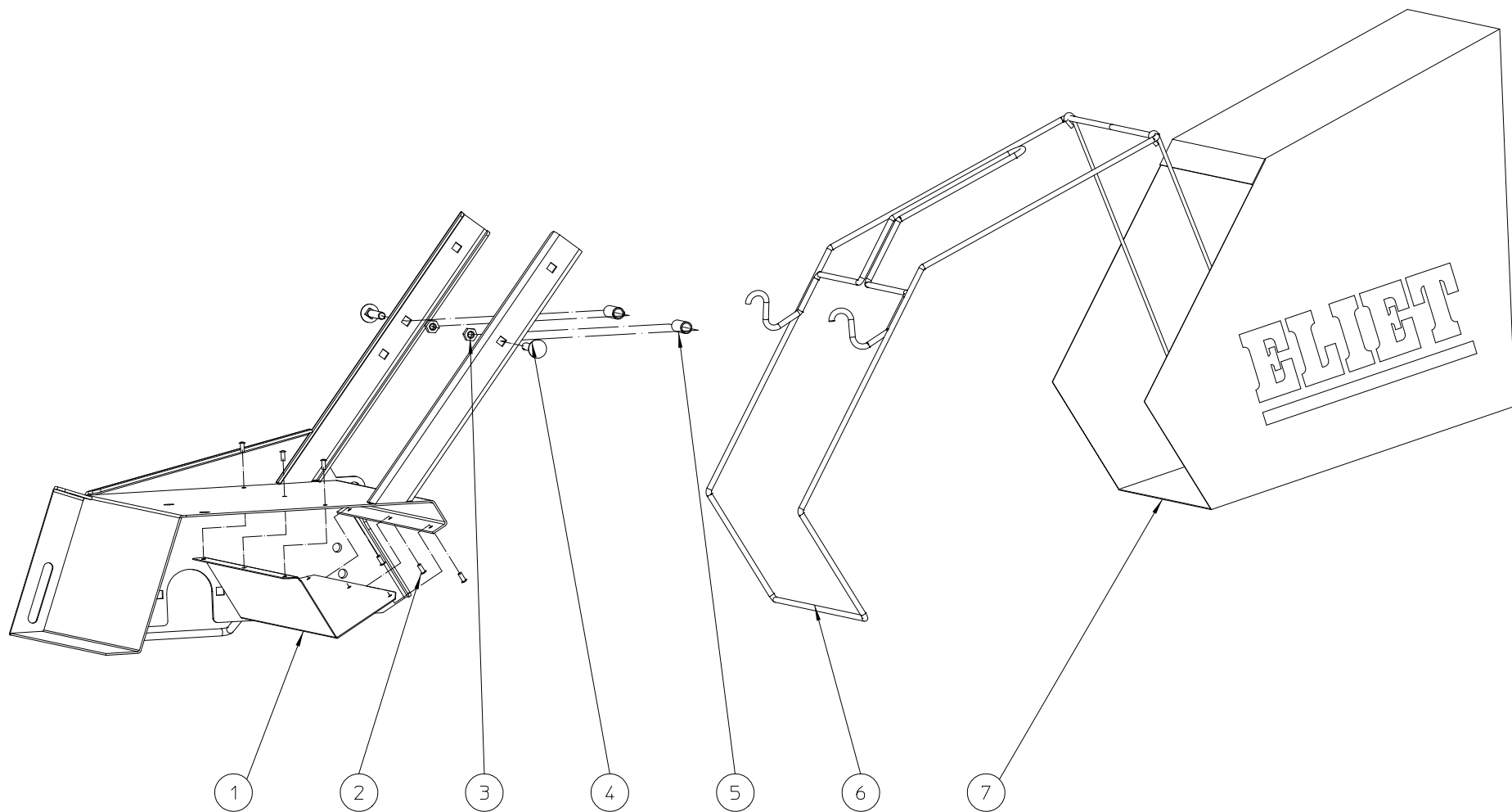


ELIET E401 -- COMBUSTION					
NO	MMA 01 080 100	REV	3	DATE	2014/01/24

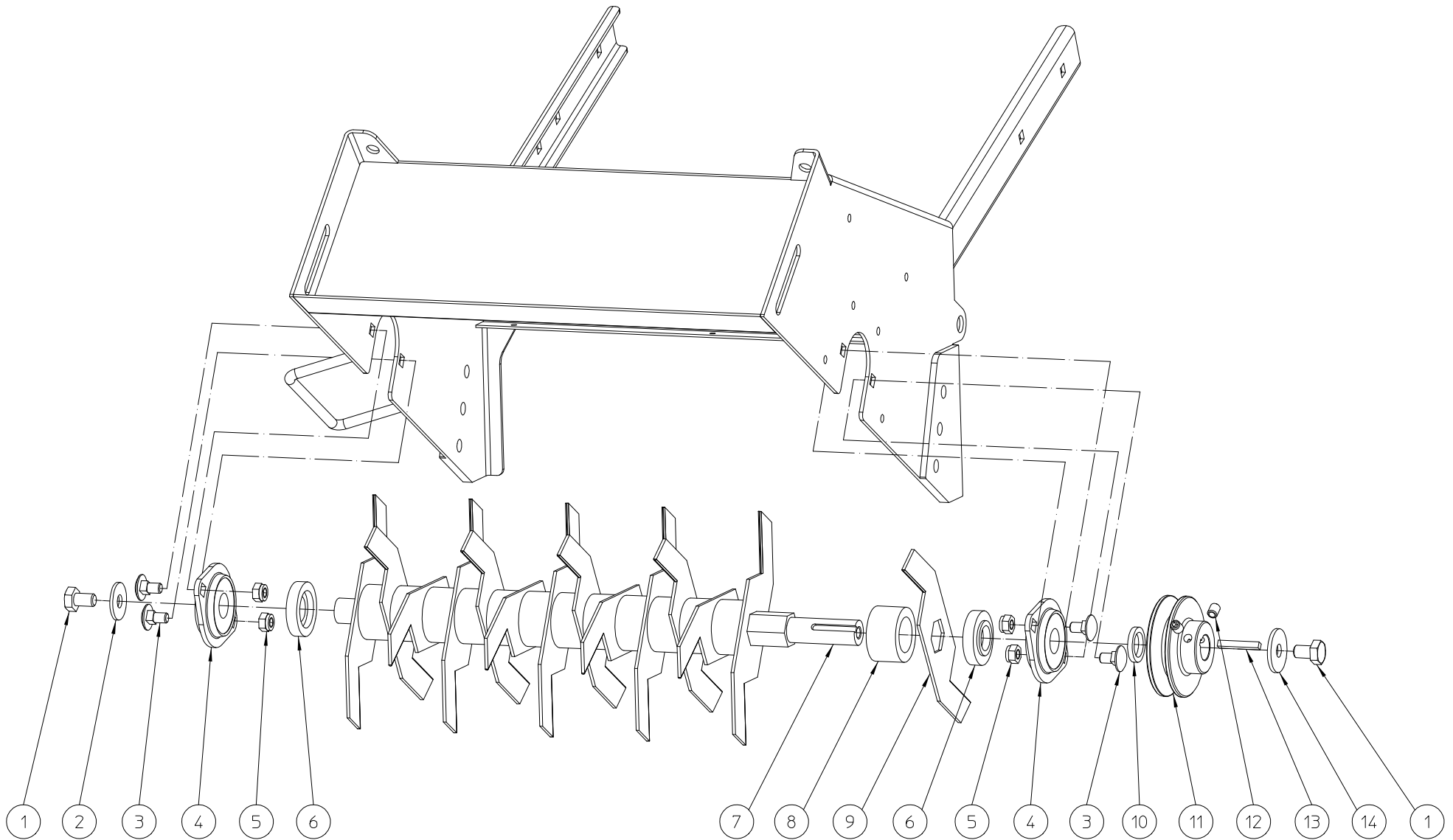
#	Order nr	article description	quantity
1	BS 502 000 800	self locking nut m8 din 985	4
2	BS 531 000 800	washer m8 din 125	11
3	MPA 01 080 150	engine plate (combustion engine)	1
4	BR 112 081 300	nylon bushing with collar (8/11/16x13/2)	2
5	BS 551 101 042	eye bolt m10x50 din 444	2
6	BS 501 001 000	nut m10 din 934	2
7	BB 011 000 080	starlock 8mm	2
8	BS 511 000 835	bolt m8x35 din 931	4
9	MPA 01 080 200	belt catcher (pulley engine)	1
10	BS 512 040 816	bolt unf 5/16"x5/8"	2
11	BQ 505 010 030	sticker max 3200 rpm 90x25	1
12	BM 202 004 000	honda gc 135	1
13	BB 342 050 535	key 4.7x4.7x35 din 6880	1
14	BA 565 707 502	pulley spa 75x3/4"x3/16" (engine)	1
15	BS 023 000 810	set screw m8x10 din 916	4
16	BS 554 100 825	bolt m8x25 din 603	1
17	BS 554 100 842	bolt m8x50 din 603	2
18	MPA 01 080 240	wrench 17	1
19	BN 630 808 400	lob knob 188-40 m8	3
20	BB 011 000 060	starlock 6mm	2
21	BR 600 425 170	antivibration blocks 25x17b m6x18	1
22	BS 531 000 600	washer m6 din 125	11
23	BS 502 000 600	self locking nut m6 din 985	9
24	BS 512 000 616	bolt m6x16 din 933	8
25	BN 231 001 057	soft rubber grip dia 22mm (l=570mm)	1
26	MPA 01 080 135	clutch handle (combustion engine)	1
27	BK 152 250 730	cable 2.5x730mm	1
28	MPA 01 080 115	push bracket (combustion engine)	1
29	MMA 01 080 140	kit collecting bag	1
30	MPA 01 080 260	rod 9mm deflector	1
31	BR 112 100 600	nylon bushing with collar (10/13.5/25x6/2.5)	2
32	BB 011 000 090	starlock 9mm	2
33	BR 900 000 500	protection cover	1
34	BS 502 001 000	self locking nut m10 din 985	6
35	BS 531 001 000	washer m10 din 125	2
36	MPA 01 110 610	wheel shaft	4
37	BS 511 001 049	bolt m10x90 din 931	2
38	BS 532 010 406	washer m10x40x3	6
39	BW 320 020 000	front wheel alu 200/50-60 (e 501 pro)	4
40	MPA 01 080 190	belt catcher (pulley rotor)	1
41	BQ 505 010 070	safety sticker 100x80 (hand cuts)	1
42	MPA 01 080 170	transmission guard (combustion engine)	1
43	BA 521 207 490	belt xpa	1
44	BS 511 001 048	bolt m10x80 din 931	2
45	MMA 01 080 110	rotor fixed knives	1
46	BS 532 010 356	washer m10x35x3	2
47	BQ 505 010 050	safety sticker 60x100 (pictogram)	1
48	BQ 505 010 040	safety sticker 60x100 (spark plug)	1
49	BQ 505 010 150	safety sticker 60x100 (distance)	1
50	BQ 505 010 010	identity sticker ce 120x30	1
51	BQ 501 080 010	sticker eliet e401 330x130	1
52	MPA 01 080 100	chassis	1

53	MPA 01 080 220	front wheel holder	2
54	BR 111 102 010	nylon bushing (10/20x20)	2
55	BN 630 210 500	lob knob 189-50 m10x120	2
56	BZ 201 080 010	manual e401	1



ELIET E401 -- KIT COLLECTING BAG						
NO	MMA 01 080 140	REV	2	DATE	2009/09/24	

#	Order nr	article description	quantity
1	MPA 01 080 290	deflector	1
2	BB 221 004 100	pop plug steel 3.9x10	6
3	BS 501 000 800	nut m8 din 934	2
4	BS 554 100 842	bolt m8x50 din 603	2
5	MPA 01 080 280	bushing 16x8x40	2
6	MPA 01 080 270	frame for collecting bag	1
7	BQ 348 080 010	collecting bag	1



ELIET E401 -- ROTOR SHAFT FIXED KNIVES

NO	MMA 01 080 110	REV	1	DATE	2014/01/24
----	----------------	-----	---	------	------------

#	Order nr	article description	quantity
1	BS 512 001 016	bolt m10x16 din 933	2
2	BS 532 010 305	washer m10x30x2.5	1
3	BS 554 100 816	bolt m8x16 din 603	4
4	BL 801 102 000	bearing + flanges cspfl 204	2
5	BS 502 000 800	self locking nut m8 din 985	4
6	MPA 01 080 510	spacer ring 20x45x10mm	2
7	MPA 01 080 500	blade shaft	1
8	BR 111 292 510	nylon bushing (28.5/44x25)	13
9	BU 402 100 101	set of fixed knives (14)	1
10	MPA 01 080 520	nylon bushing	1
11	BA 565 707 503	pulley spa 75x20x5 (rotor)	1
12	BS 023 000 810	set screw m8x10 din 916	2
13	BB 341 050 535	key 5x5x35 din 6880	1
14	BS 532 010 356	washer m10x35x3	1