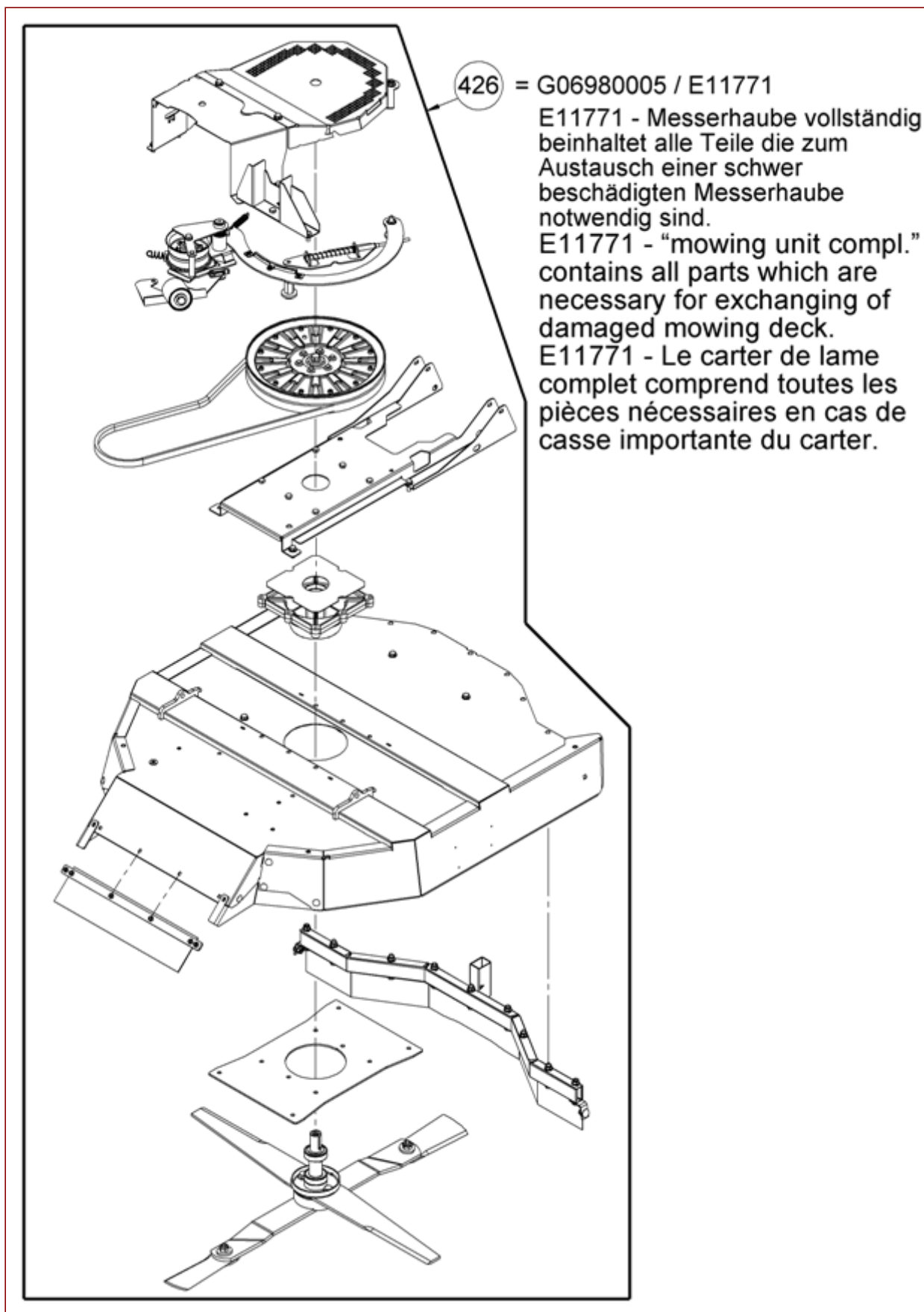


Elektrische Anlage
AS 940

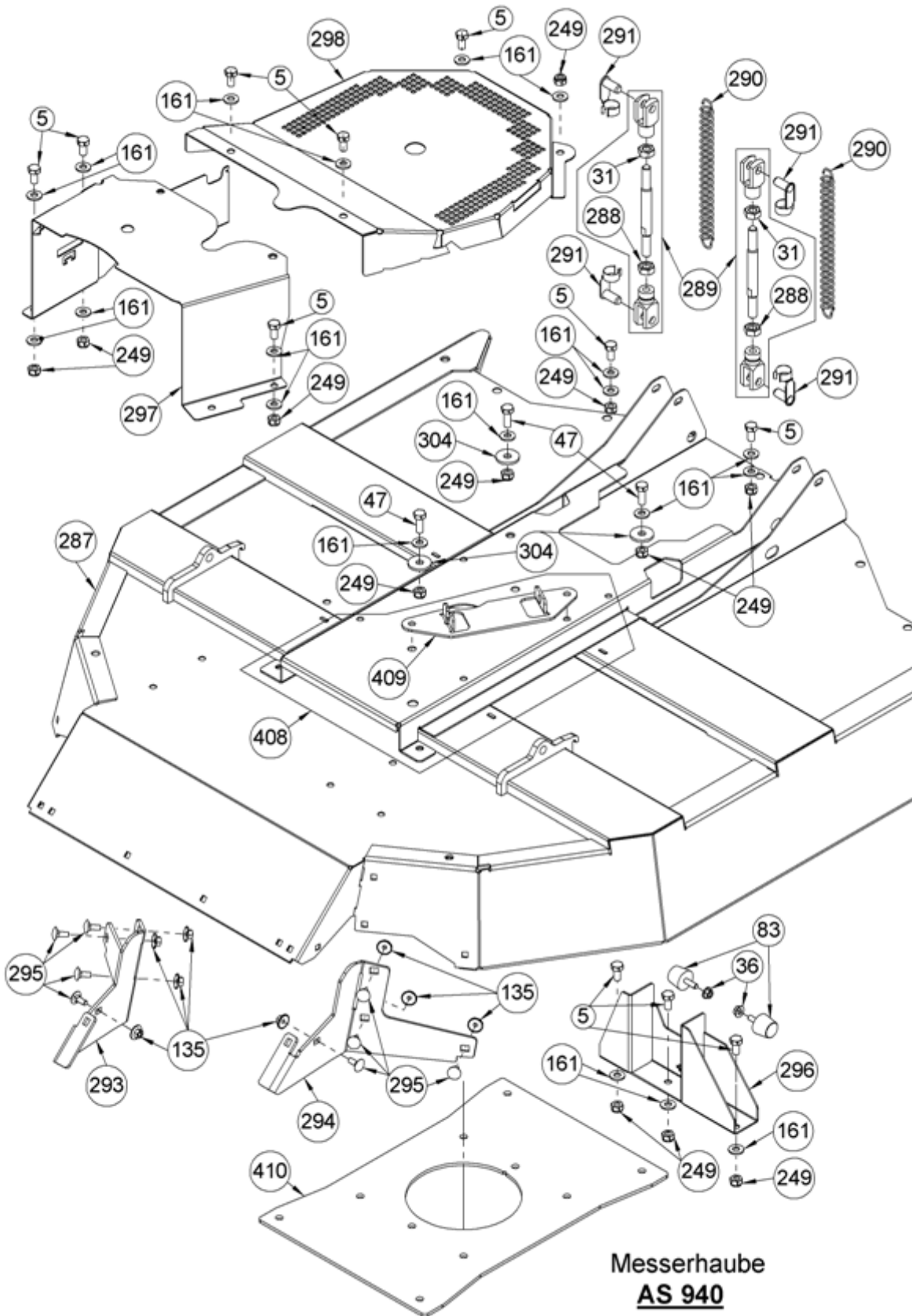
AS 940 Sherpa 4WD and AS 940 Sherpa – ET documentation – Electrical system

Pos	Art-Nr.	E-Nr.	Menge	Beschreibung	Modell	Info
17	G00009094	E07247	2	Locking screw (2 Stk.)		
36	G00007041	E05975	2	Selflocking nut with serrated bearing (3		
38	G00009128	E10373	3	Self-tapping Torx screw (10 Stk.)		
39	G07846002	E01932	3	Self-locking hex nut (5 Stk.)		
123	G00026045	E11599	4	Cable holder Ø 15.5-Ø 18.6 mm		
124	G00026003	E03782	1	Cable tape (2 Stk.)		
130	G07833029	E08544	2	Hexagon socket head cap screw (5 Stk.)		
131	G00026046	E11600	2	Cable holder Ø 7-Ø 10 (2 Stk.)		
148	G07880009	E07936	2	Disc (5 Stk.)		
149	G07833045	E11608	2	Hexagon socket head cap screw (10 Stk.)		
240	G06650532	E08160	1	Seat contact switch		
269	G06927014	E11676	1	Cable loom without switch AS 940		
270	G06927003	E11677	1	Battery		
271	G06927006	E08536	2	Switch		
272	G07833043	E11680	2	Hexagon socket head cap screw (10 Stk.)		
273	G07846016	E08540	6	Self-locking hex nut (5 Stk.)		
274	G06927004	E07327	1	Ignition switch without key		
275	G06927005	E07590	1	Ignition key		
276	G06927002	E11731	1	Relay		
277	G07880007	E03960	3	Disc (20 Stk.)		
278	G00007058	E08539	2	Inch nut (5 Stk.)		
279	G06650539	E08173	2	Fuse 25 A (alternator)		
280	G06927009	E11678	1	Socket		
281	G06927010	E11528	1	Protecting cap for socket		
282	G06927007	E10660	1	Relay large		
283	G06927008	E10740	1	Operating hours counter		
284	G07846011	E03947	2	Self-locking hex nut (10 Stk.)		
285	G06927011	E11679	2	Plate (2 Stk.)		
286	G00026006	E07956	6	Cable tape (4 Stk.)		
378	G06927012	E11732	1	Earth cable with protective cap		
379	G06927013	E11733	1	Seat switch cable		
380	G07833044	E11681	2	Hexagon socket head cap screw (10 Stk.)		
381	G06650346	E07556	2	Insulating cap		



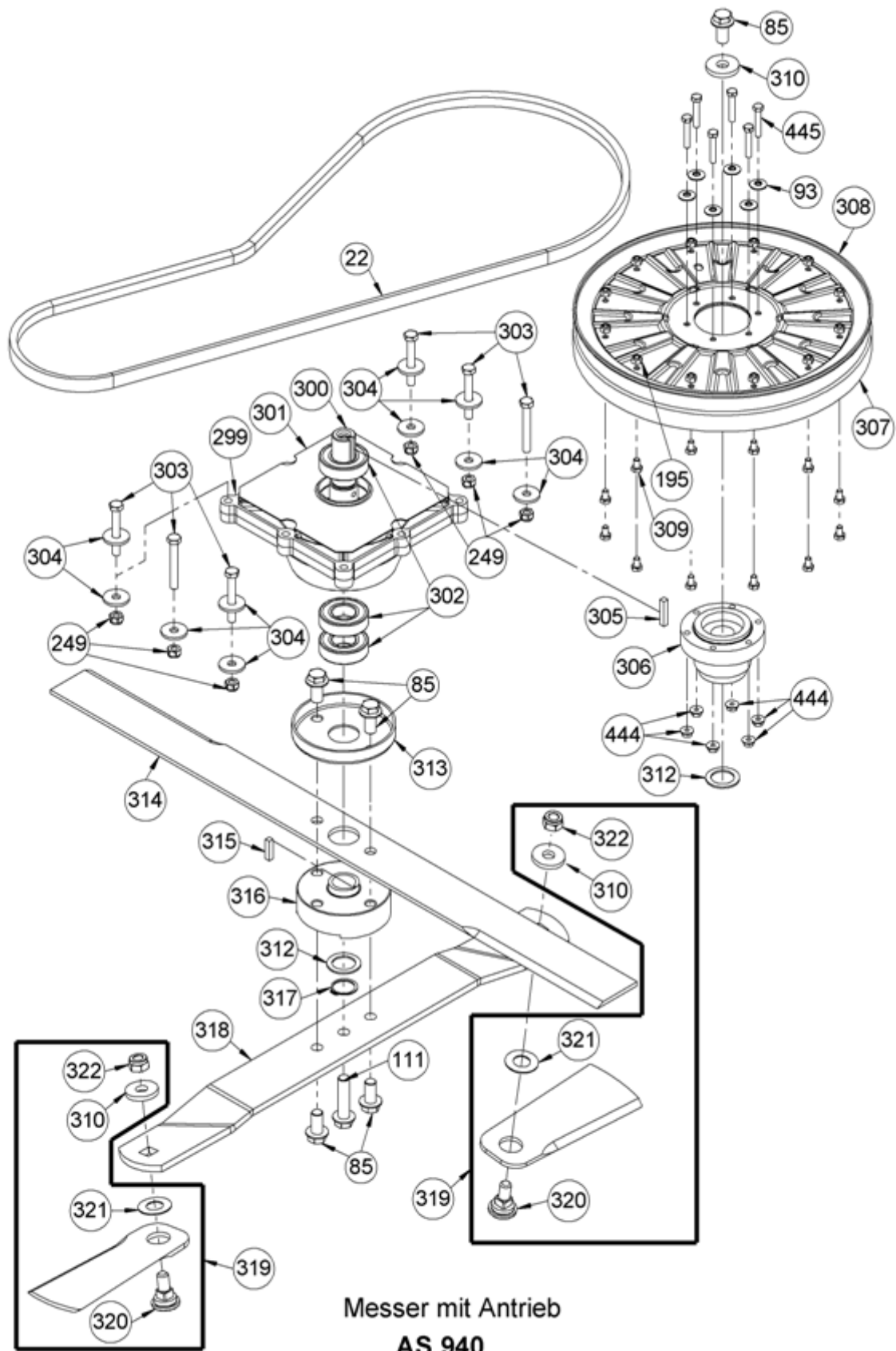
AS 940 Sherpa 4WD XL and AS 940 Sherpa XL – ET documentation – Mowing deck compl.

Pos	Art-Nr.	E-Nr.	Menge	Beschreibung	Modell	Info
426	G06980005	E11771	1	Blade hood complet		



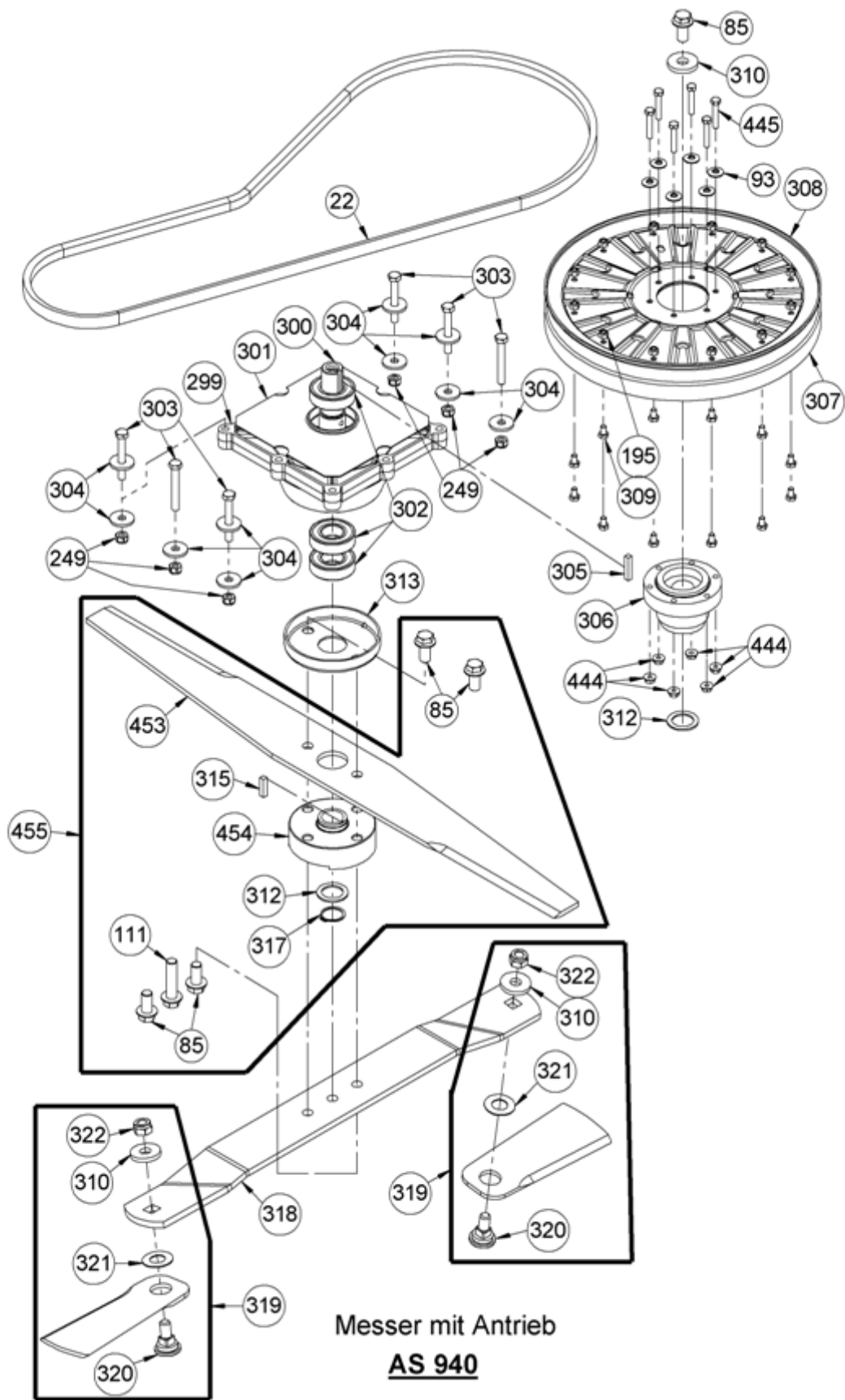
AS 940 Sherpa 4WD XL and AS 940 Sherpa XL – ET documentation – Blade cover

Pos	Art-Nr.	E-Nr.	Menge	Beschreibung	Modell	Info
5	G07838026	E03932	11	Hexagon screw (10 Stk.)		
31	G07839008	E01953	2	Hex nut (10 Stk.)		
36	G00007041	E05975	2	Selflocking nut with serrated bearing (3		
47	G07838047	E05320	3	Hexagon screw (10 Stk.)		
83	G00008061	E04597	2	Stop buffer		
135	G00007066	E10591	8	Nut with spring washer (10 Stk.)		
161	G07926001	E08403	20	Disc (4 Stk.)		
249	G07846001	E01912	12	Self-locking hex nut (10 Stk.)		
287	G06920038	E11682	1	Blade hood		
288	G07839022	E08282	2	Hex nut		
289	G06922015	E11683	2	Lifting rod with yoke		
290	G00002069	E11684	2	Draw spring		
291	G00039004	E08467	4	Folding spring bolt		
293	G06920039	E11685	1	Hood corner left		
294	G06920040	E11686	1	Hood corner right		
295	G07827003	E04262	8	Mushroom head square neck bolt (5 Stk.)		
296	G06920065	E11687	1	Side guide		
297	G06926009	E11688	1	Access protection		
298	G06926011	E11689	1	Belt cover		
304	G07810004	E06262	3	Disc (5 Stk.)		
408	G06980007	E11772	1	Hood carrier + spring plate		
409	G06920080	E11773	1	Spring plate		
410	G06920082	E11774	1	Stiffening plate		



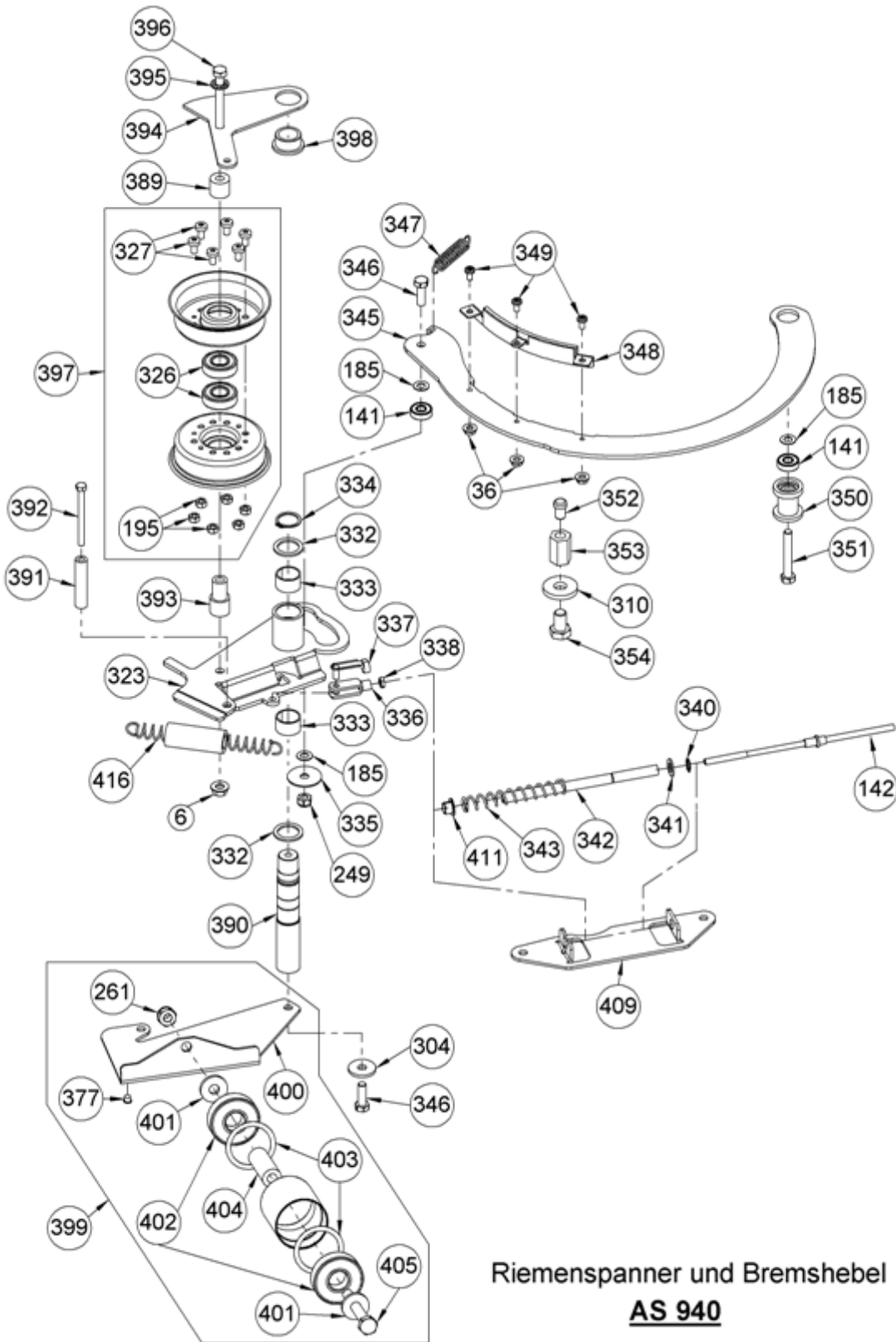
AS 940 Sherpa 4WD XL and AS 940 Sherpa XL – ET documentation – Blades with drive

Pos	Art-Nr.	E-Nr.	Menge	Beschreibung	Modell	Info
22	G07857047	E11463	1	High performance V-belt		
85	G00009097	E07718	5	Locking screw		
93	G00042008	E06187	6	Detent edge disc		
111	G00009111	E08291	1	Locking screw		
195	G07906002	E06667	12	Self-locking hex nut (10 Stk.)		
249	G07846001	E01912	6	Self-locking hex nut (10 Stk.)		
299	G06923002	E11691	1	Blade baring		
300	G06923003	E11692	1	Blade shaft		
301	G06926029	E11693	1	Cloth for blade bearing		
302	G07830015	E08351	3	Deep groove ball bearing		
303	G07837005	E03142	6	Hexagon screw (4 Stk.)		
304	G07810004	E06262	10	Disc (5 Stk.)		
305	G07865011	E06649	1	Feather key		
306	G06925016	E11700	1	Belt pulley hub		
307	G06925008	E11698	1	Belt pulley drum		
308	G06925009	E11699	1	Belt pulley half		
309	G07838017	E03262	12	Hexagon screw (10 Stk.)		
310	G07861004	E07213	3	Disc		
312	G07847015	E03928	2	Supporting disc		
313	G06923004	E11694	1	Winding protection cover		
314	G06923010	E11465	1	Replaced by G06980016		
314	G06980016	G06980016	1	Upper mulching blade+blade disc		
315	G07865031	E11695	1	Feather key		
316	G06923006	E11696	1	Replaced by G06980016		
316	G06980016	G06980016	1	Upper mulching blade+blade disc		
317	G07822001	E02116	1	Circlip for shaft (5 Stk.)		
318	G06923008	E11398	1	Cutter bar for blades		
319	G06980001	E11399	2	Knife blade + mounting (2 Stk.)		
320	G06923007	E11697	2	Blade fixing bolt		
321	G07856004	E02451	2	Disc spring (3 Stk.)		
322	G07846006	E01972	2	Self-locking hex nut (2 Stk.)		
444	G07937001	E12459	6	Hex nut (10 Stk.)		
445	G07837086	E13169	6	Hexagon screw		



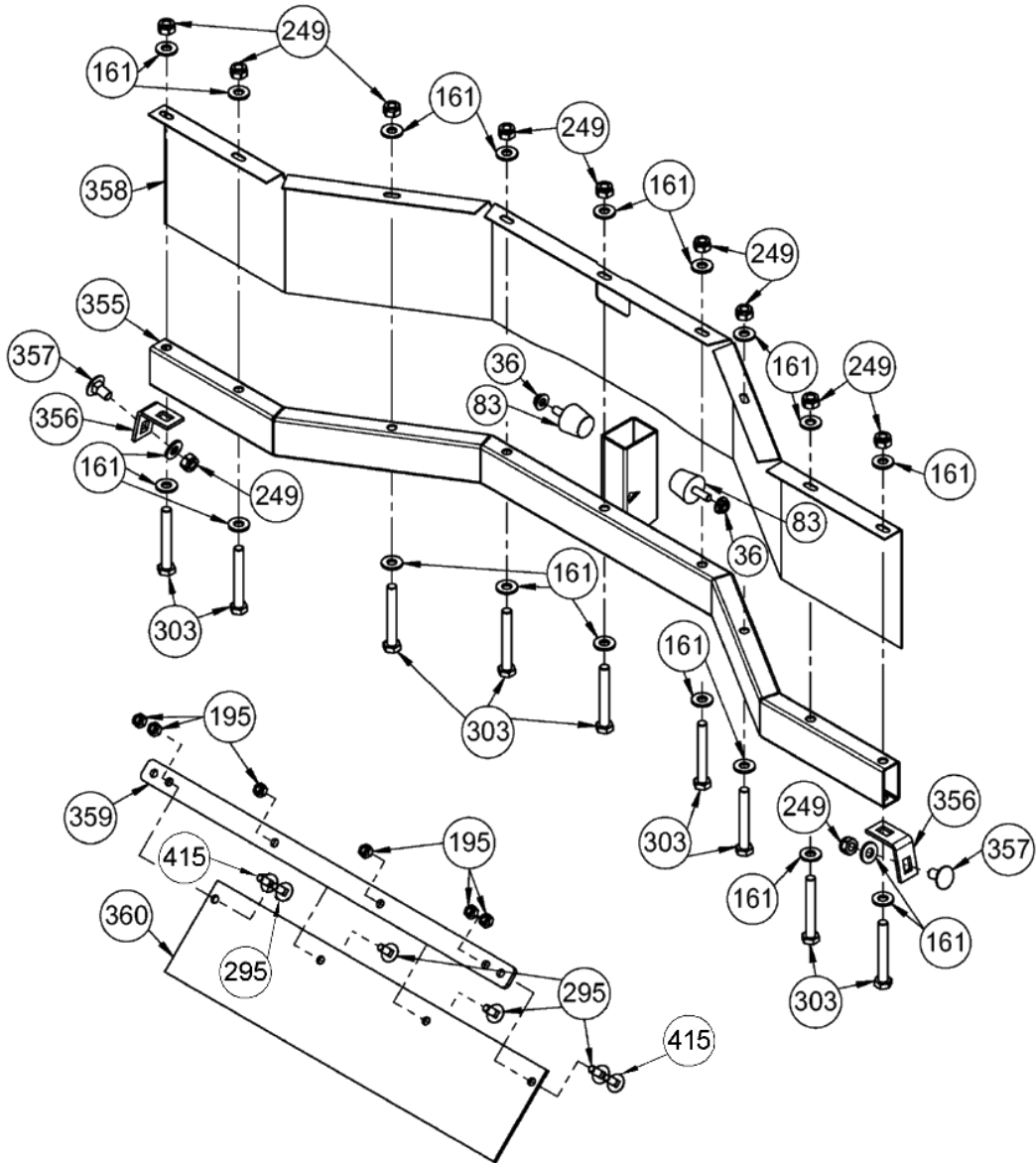
AS 940 Sherpa 4WD XL and AS 940 Sherpa XL – ET documentation – Blades with drive from serial No. 026415110001

Pos	Art-Nr.	E-Nr.	Menge	Beschreibung	Modell	Info
22	G07857047	E11463	1	High performance V-belt		
85	G00009097	E07718	5	Locking screw		
93	G00042008	E06187	6	Detent edge disc		
111	G00009111	E08291	1	Locking screw		
195	G07906002	E06667	12	Self-locking hex nut (10 Stk.)		
249	G07846001	E01912	6	Self-locking hex nut (10 Stk.)		
299	G06923002	E11691	1	Blade baring		
300	G06923003	E11692	1	Blade shaft		
301	G06926029	E11693	1	Cloth for blade bearing		
302	G07830015	E08351	3	Deep groove ball bearing		
303	G07837005	E03142	6	Hexagon screw (4 Stk.)		
304	G07810004	E06262	10	Disc (5 Stk.)		
305	G07865011	E06649	1	Feather key		
306	G06925016	E11700	1	Belt pulley hub		
307	G06925008	E11698	1	Belt pulley drum		
308	G06925009	E11699	1	Belt pulley half		
309	G07838017	E03262	12	Hexagon screw (10 Stk.)		
310	G07861004	E07213	3	Disc		
312	G07847015	E03928	2	Supporting disc		
313	G06923004	E11694	1	Winding protection cover		
315	G07865031	E11695	1	Feather key		
317	G07822001	E02116	1	Circlip for shaft (5 Stk.)		
318	G06923008	E11398	1	Cutter bar for blades		
319	G06980001	E11399	2	Knife blade + mounting (2 Stk.)		
320	G06923007	E11697	2	Blade fixing bolt		
321	G07856004	E02451	2	Disc spring (3 Stk.)		
322	G07846006	E01972	2	Self-locking hex nut (2 Stk.)		
444	G07937001	E12459	6	Hex nut (10 Stk.)		
445	G07837086	E13169	6	Hexagon screw		
453	G06923011	G06923011	1	Upper mulching blade		
454	G06923012	G06923012	1	Cutter disc		
455	G06980016	G06980016	1	Upper mulching blade+blade disc		



AS 940 Sherpa 4WD XL and AS 940 Sherpa XL – ET documentation – Belt tensioner and brake lever

Pos	Art-Nr.	E-Nr.	Menge	Beschreibung	Modell	Info
6	G00007042	E06037	1	Selflocking nut with serrated bearing (3		
36	G00007041	E05975	3	Selflocking nut with serrated bearing (3		
141	G07830031	E07211	2	Deep groove ball bearing		
142	G00020161	E11395	1	Blade drive cable		
185	G07856010	E04337	3	Disc spring (5 Stk.)		
195	G07906002	E06667	6	Self-locking hex nut (10 Stk.)		
249	G07846001	E01912	1	Self-locking hex nut (10 Stk.)		
261	G07846005	E01968	1	Self-locking hex nut (10 Stk.)		
304	G07810004	E06262	1	Disc (5 Stk.)		
310	G07861004	E07213	1	Disc		
323	G06925011	E11701	1	Belt tensioner		
326	G07830027	E06752	2	Deep groove ball bearing		
327	G00009083	E06753	6	Rounded head screw with inside Torx (2 S		
332	G07847055	E11704	2	Shim (2 Stk.)		
333	G00028001	E02919	2	DU bush (2 Stk.)		
334	G07822014	E07729	1	Circlip for shaft (5 Stk.)		
335	G00010109	E08394	1	Mudguard washer (5 Stk.)		
336	G07925001	E08526	1	Fork head		
337	G00039003	E08527	1	Folding spring bolt		
338	G07818004	E03917	1	Hex nut (10 Stk.)		
340	G07822002	E02650	1	Circlip for shaft (5 Stk.)		
341	G07816006	E04214	1	Disc (20 Stk.)		
342	G06820010	E08388	1	Spring tube		
343	G00001083	E08389	1	Pressure spring		
345	G06934002	E11709	1	Brake lever		
346	G07838029	E03939	1	Hexagon screw (5 Stk.)		
347	G00002055	E07546	1	Draw spring		
348	G06934007	E11710	1	Brake line holder with brake lining		
349	G00009149	E10597	3	Self-tapping Torx screw (10 Stk.)		
350	G06920041	E11705	1	Bearing bolt		
351	G07838083	E11706	1	Hexagon screw (5 Stk.)		
352	G00008125	E10371	1	Rubber buffer (2 Stk.)		
353	G00007076	E11707	1	Connection nut (2 Stk.)		
354	G07838010	E01987	1	Hexagon screw (5 Stk.)		
377	G00008086	E05973	1	Rubber buffer (2 Stk.)		
389	G00024052	E11760	1	Sleeve		
390	G06920079	E11761	1	Tension lever bearing		
391	G06925035	E11762	1	Belt guide		
392	G07837029	E04485	1	Hexagon screw (5 Stk.)		
393	G06925036	E11763	1	Sleeve		
394	G06925037	E11764	1	Strut		
395	G00042012	E07132	1	Detent edge disc (4 Stk.)		
396	G07837047	E05681	1	Hexagon screw (2 Stk.)		
397	G06925038	E11765	1	Tension pulley with ball bearing		
398	G00028059	E11769	1	Friction bearing with collar		
399	G06925042	E11767	1	Guide pulley + ball bearing + holder		
400	G06925039	E11766	1	Holder		
401	G07861007	E08496	2	Disc		
402	G07830046	E11770	2	Deep groove ball bearing		
403	G07847054	E11359	2	Shim (10 Stk.)		
404	G06521302	E06511	1	Hub tube		
405	G07837055	E06661	1	Hexagon screw		
409	G06920080	E11773	1	Spring plate		
411	G00028042	E08662	1	Collar bush		
416	G06980009	E12206	1	Draw spring with hose piece		

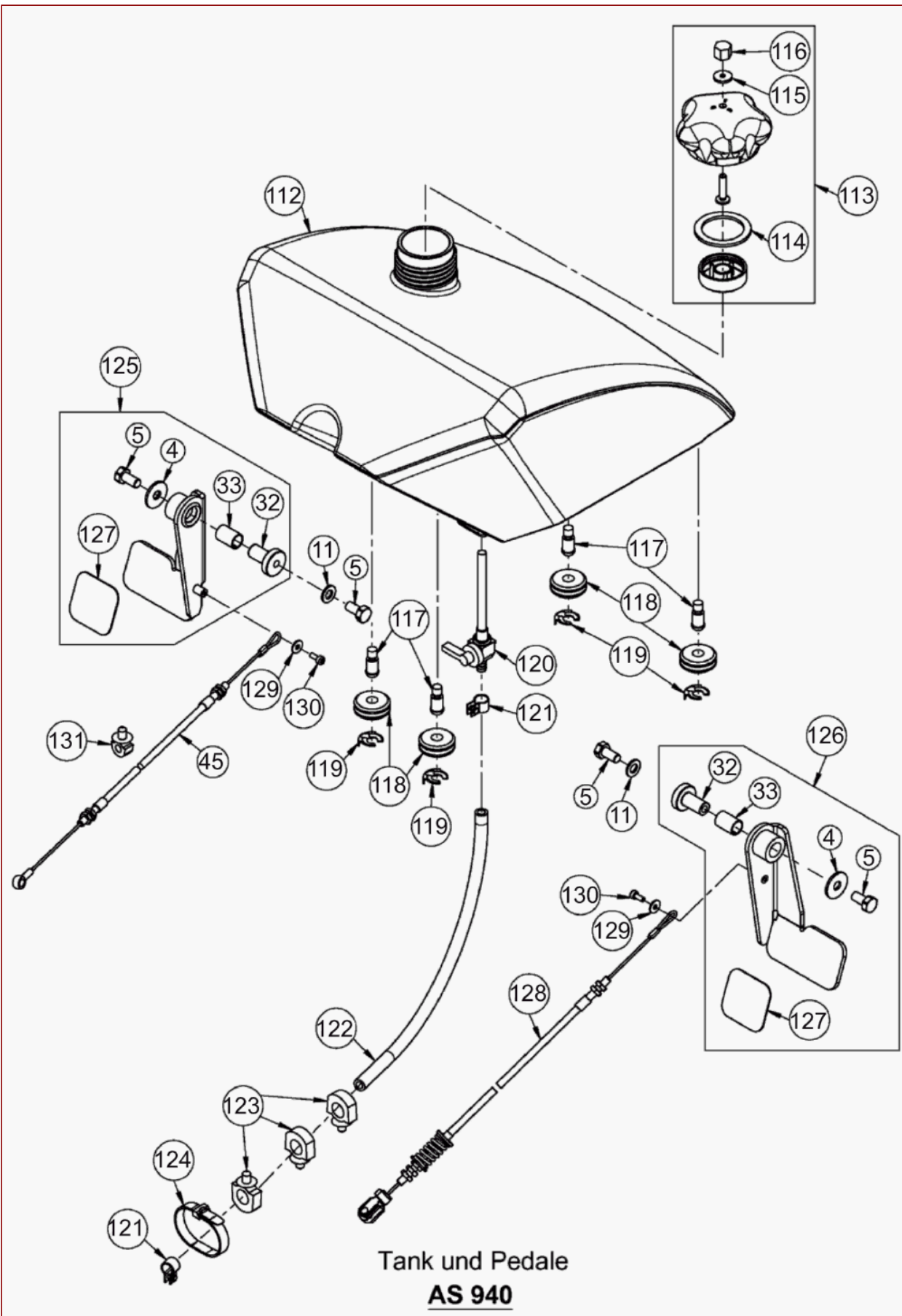


Schutztücher für Messerhaube

AS 940

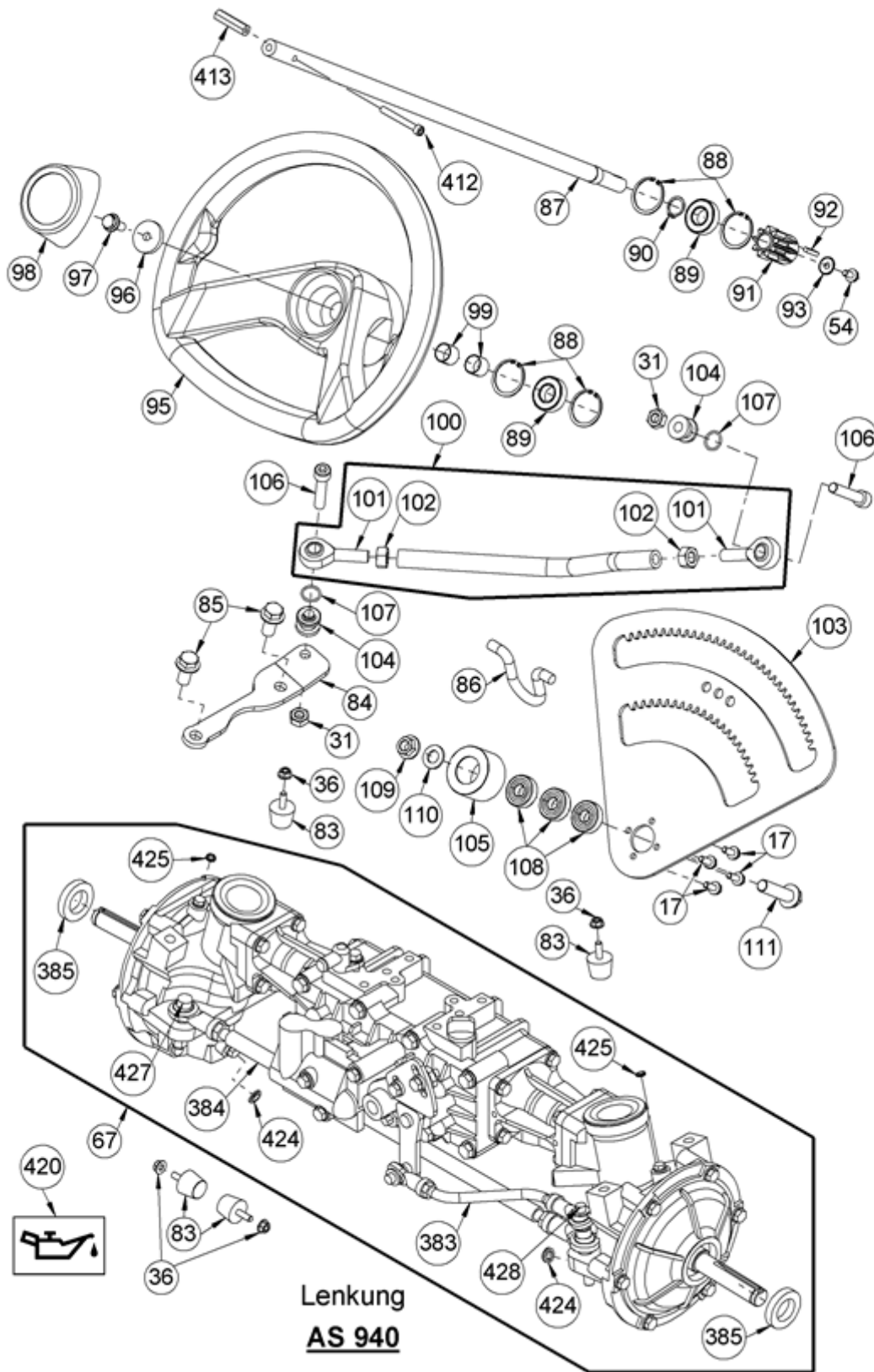
AS 940 Sherpa 4WD and AS 940 Sherpa – ET documentation – Protector cloth for Blade cover

Pos	Art-Nr.	E-Nr.	Menge	Beschreibung	Modell	Info
36	G00007041	E05975	2	Selflocking nut with serrated bearing (3		
83	G00008061	E04597	2	Stop buffer		
161	G07926001	E08403	20	Disc (4 Stk.)		
195	G07906002	E06667	6	Self-locking hex nut (10 Stk.)		
249	G07846001	E01912	11	Self-locking hex nut (10 Stk.)		
295	G07827003	E04262	4	Mushroom head square neck bolt (5 Stk.)		
303	G07837005	E03142	9	Hexagon screw (4 Stk.)		
355	G06926010	E11711	1	Protection skirt tube		
356	G06920033	E11712	2	Angle		
357	G07827018	E08387	2	Mushroom head square neck bolt (10 Stk.)		
358	G06926012	E11019	1	Protection skirt		
359	G06820018	E08471	1	Rubber bar		
360	G00008139	E11713	1	Ejector rubber		
415	G07827010	E05367	2	Mushroom head square neck bolt (5 Stk.)		



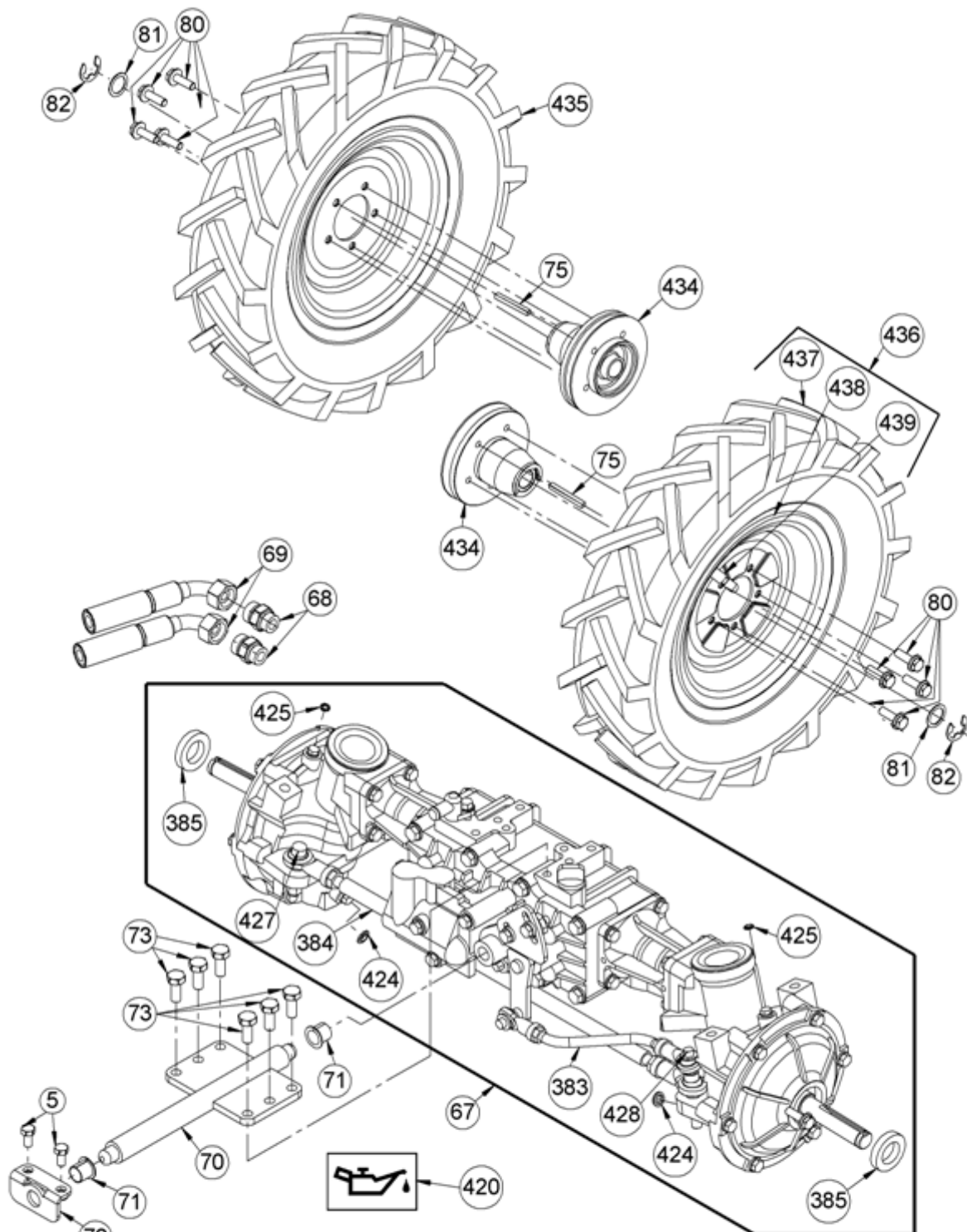
AS 940 Sherpa 4WD and AS 940 Sherpa – ET documentation – Tank and Pedal

Pos	Art-Nr.	E-Nr.	Menge	Beschreibung	Modell	Info
4	G07880006	E03957	2	Disc (20 Stk.)		
5	G07838026	E03932	4	Hexagon screw (10 Stk.)		
11	G07809004	E01905	2	Disc (20 Stk.)		
32	G06525054	E07158	2	Tension lever bearing		
33	G00028027	E06473	2	DU bush		
45	G00020162	E11396	1	Differential cable		
112	G06906001	E11596	1	Fuel tank		
113	G06306007	E04783	1	Tank cap total		
114	G00019053	E04782	1	Seal (3 Stk.)		
115	G00019051	E05246	1	Sealing disc (5 Stk.)		
116	G00007033	E05247	1	Hexagon cap nut		
117	G00009154	E11597	4	Tank bolt		
118	G00008145	E07287	4	Rubber bearing		
119	G00027017	E08457	4	Anti-folding mechanism (5 Stk.)		
120	G00022015	E11598	1	Fuel valve with gasket		
121	G00034011	E03626	2	Hose clamp		
122	G06906002	E11525	1	Fuel hose 1405 long		
123	G00026045	E11599	3	Cable holder Ø 15.5-Ø 18.6 mm		
124	G00026003	E03782	1	Cable tape (2 Stk.)		
125	G06925031	E11601	1	Differential pedal total		
126	G06934010	E11602	1	Reset pedal for brake total		
127	G06826014	E08856	2	Pedal sticker		
128	G00020163	E11397	1	Brake pedal cable		
129	G07880005	E03948	2	Disc (20 Stk.)		
130	G07833029	E08544	2	Hexagon socket head cap screw (5 Stk.)		
131	G00026046	E11600	1	Cable holder Ø 7-Ø 10 (2 Stk.)		



AS 940 Sherpa 4WD and AS 940 Sherpa – ET documentation – Steering

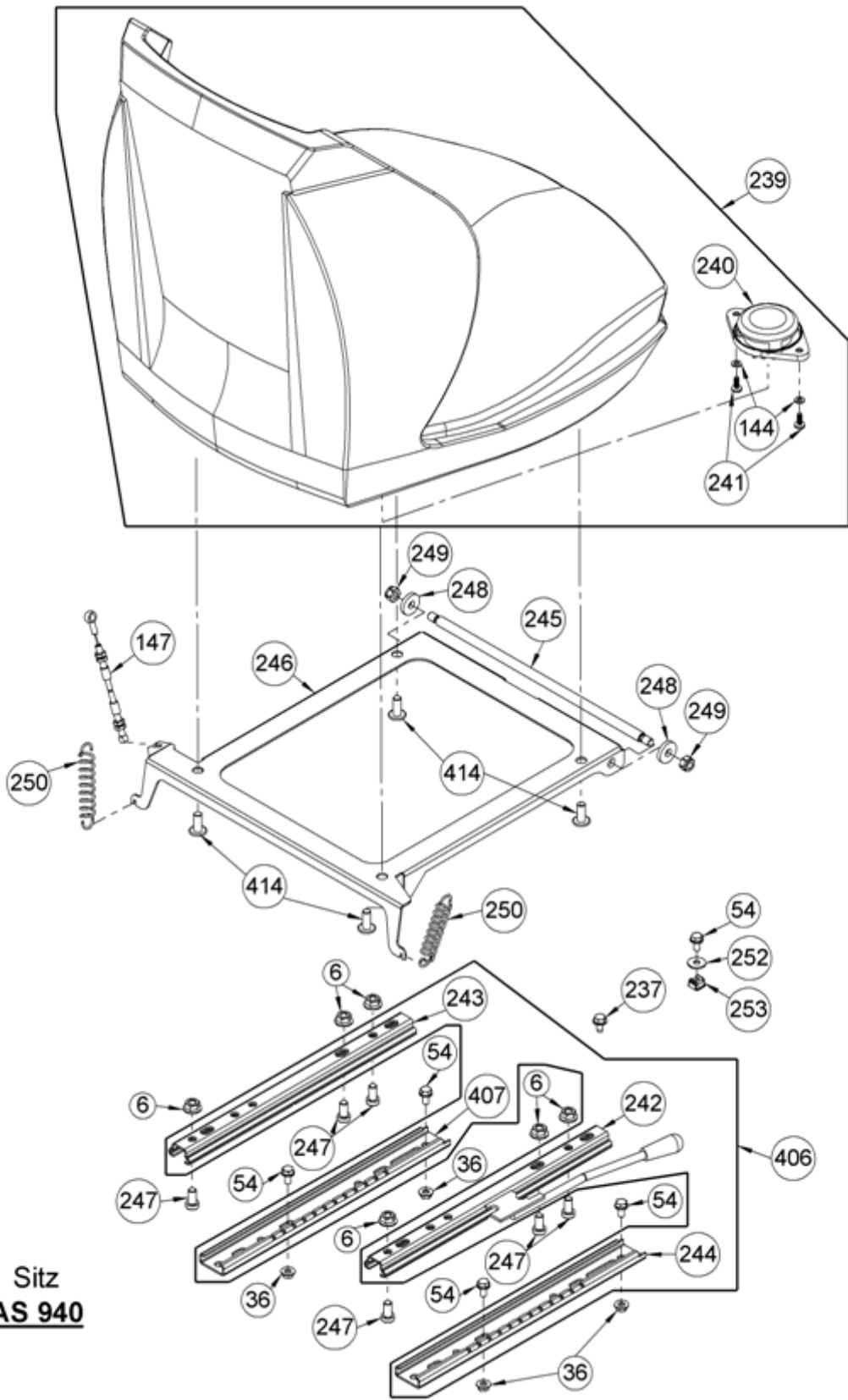
Pos	Art-Nr.	E-Nr.	Menge	Beschreibung	Modell	Info
17	G00009094	E07247	2	Locking screw (2 Stk.)		
31	G07839008	E01953	1	Hex nut (10 Stk.)		
36	G00007041	E05975	4	Selflocking nut with serrated bearing (3		
54	G00009016	E04631	1	Hexagon screw with serration (5 Stk.)		
67	G06930012	E11571	1	Transmission front		
83	G00008061	E04597	1	Stop buffer		
84	G06922004	E11583	4	Steering strip		
85	G00009097	E07718	1	Locking screw		
86	G06920015	E11584	1	Tow hook		
87	G06922007	E11585	1	Steering shaft		
88	G07823011	E04330	4	Circlip for drilled hole (5 Stk.)		
89	G07830033	E07637	2	Deep groove ball bearing		
90	G07822016	E08664	1	Circlip for shaft		
91	G06922001	E11586	1	Pinion 9 teeth		
92	G07865027	E10595	1	Feather key (2 Stk.)		
93	G00042008	E06187	1	Detent edge disc		
95	G06922027	E11587	1	Two-spoke steering wheel		
96	G00010133	E12385	1	Disc		
97	G00009108	E08177	1	Hexagon screw with serration (3 Stk.)		
98	G06922028	E11588	1	Covering cap for handlebar		
99	G00028052	E11714	2	DU bush (2 Stk.)		
100	G06980003	E11589	1	Steering bar with joint head		
101	G07934001	E11590	2	Joint head		
102	G07839015	E03921	2	Hex nut (4 Stk.)		
103	G06922002	E11591	1	Pinion plate		
104	G06922005	E11592	2	Joint sleeve		
105	G06922006	E11593	1	Pinion bearing		
106	G07833041	E11594	1	Hexagon socket head cap screw (10 Stk.)		
107	G00006060	E11595	2	O-ring (10 Stk.)		
108	G07830030	E06988	3	Deep groove ball bearing		
109	G00007054	E08241	1	Selflocking nut with serrated bearing		
110	G07809011	E03919	1	Disc (10 Stk.)		
111	G00009111	E08291	1	Locking screw		
383	G06950021	E11756	1	Steering rod		
384	G06950022	E11757	1	Track rod		
385	G06950023	E11758	2	Shaft seal ring		
412	G07833020	E07642	1	Hexagon socket head cap screw (2 Stk.)		
413	G00007052	E07876	1	Connection nut (2 Stk.)		
420	G00041064	E12381	1	2x5 liter canister oil Titan Supersyn SA		
424	G06950017	E11742	2	Sealing disc 8		
425	G06950018	E11743	2	Sealing disc 6		
427	G06950033	E13003	1	Tie rod pin left		
428	G06950034	E12442	1	Tie rod pin right		



Getriebe vorn mit Räder
AS 940 Sherpa 4WD XL
AS 940 Sherpa 4WD RC

AS 940 Sherpa 4WD XL and AS 940 Sherpa XL – ET documentation – Front transmission with wheels

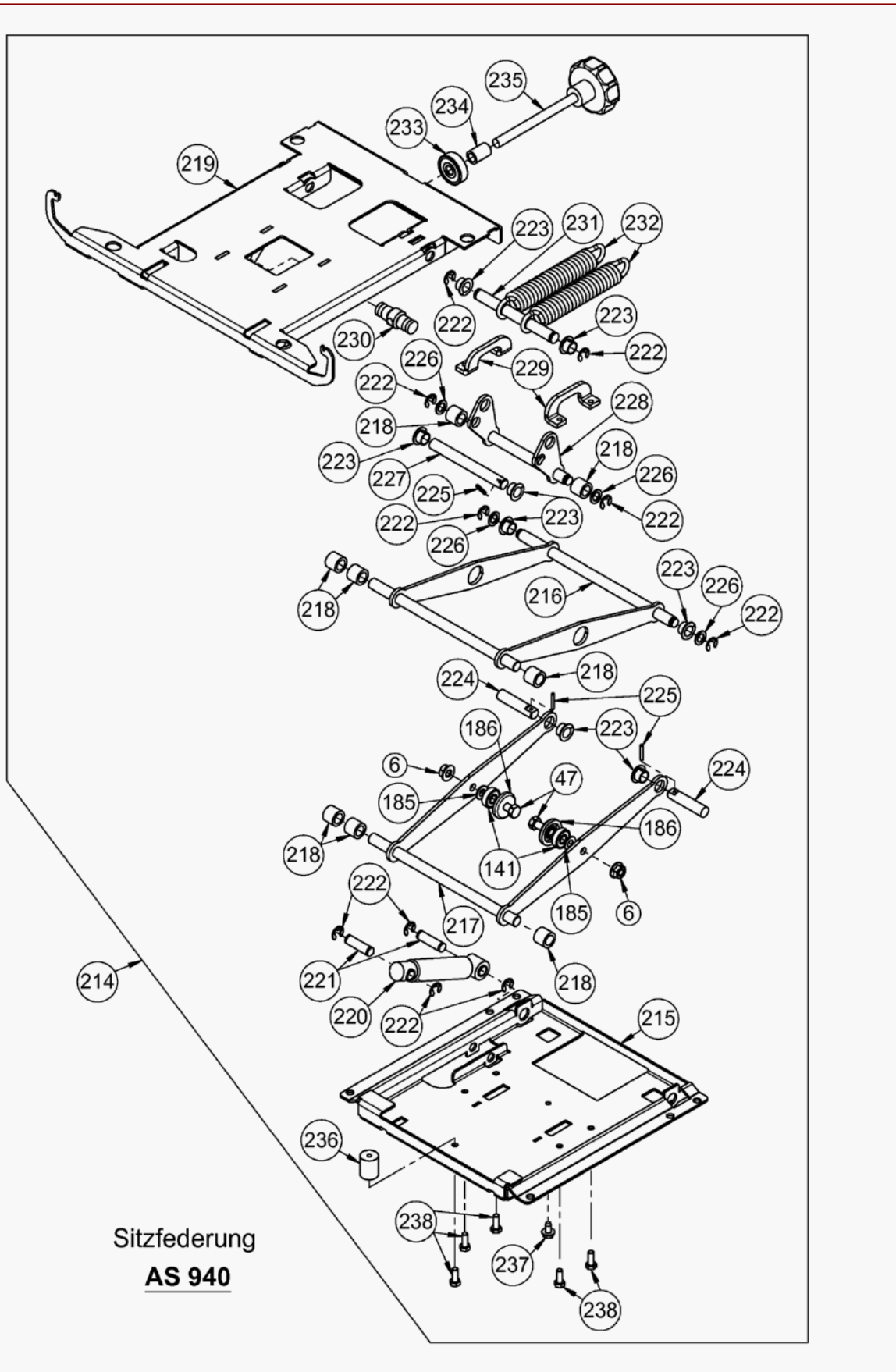
Pos	Art-Nr.	E-Nr.	Menge	Beschreibung	Modell	Info
5	G07838026	E03932	2	Hexagon screw (10 Stk.)		
67	G06930012	E11571	1	Transmission front		
68	G06930008	E11572	2	Threaded connection		
69	G06930007	E11573	2	Hydraulic hose		
70	G06930003	E11574	1	Swing axle total		
71	G00028025	E06504	2	DU flanged bush		
72	G06930002	E11575	1	Bearing angle		
73	G07838079	E08658	6	Hexagon screw		
75	G07865030	E11577	2	Feather key (2 Stk.)		
80	G00009085	E06761	8	Hexagon screw		
81	G07847046	E07725	2	Shim (3 Stk.)		
82	G07864012	E11582	2	Lock washer		
383	G06950021	E11756	1	Steering rod		
384	G06950022	E11757	1	Track rod		
385	G06950023	E11758	2	Shaft seal ring		
420	G00041064	E12381	1	2x5 liter canister oil Titan Supersyn SA		
424	G06950017	E11742	2	Sealing disc 8		
425	G06950018	E11743	2	Sealing disc 6		
427	G06950033	E13003	1	Tie rod pin left		
428	G06950034	E12442	1	Tie rod pin right		
434	G06921011	E13067	2	Wheel hub front		
435	G06321022	E06159	1	Profile wheel left 4.80/4.00-8		
436	G06321026	E06196	1	Profile wheel right 4.80/4.00-8		
437	G06350089	E06568	2	Cover for profile wheel (4.00/4.80)		
438	G06350099	E06569	2	Rim for profile wheel (4.00/4.80)		
439	G06321027	E06327	2	Tube 400-8		



Sitz
AS 940

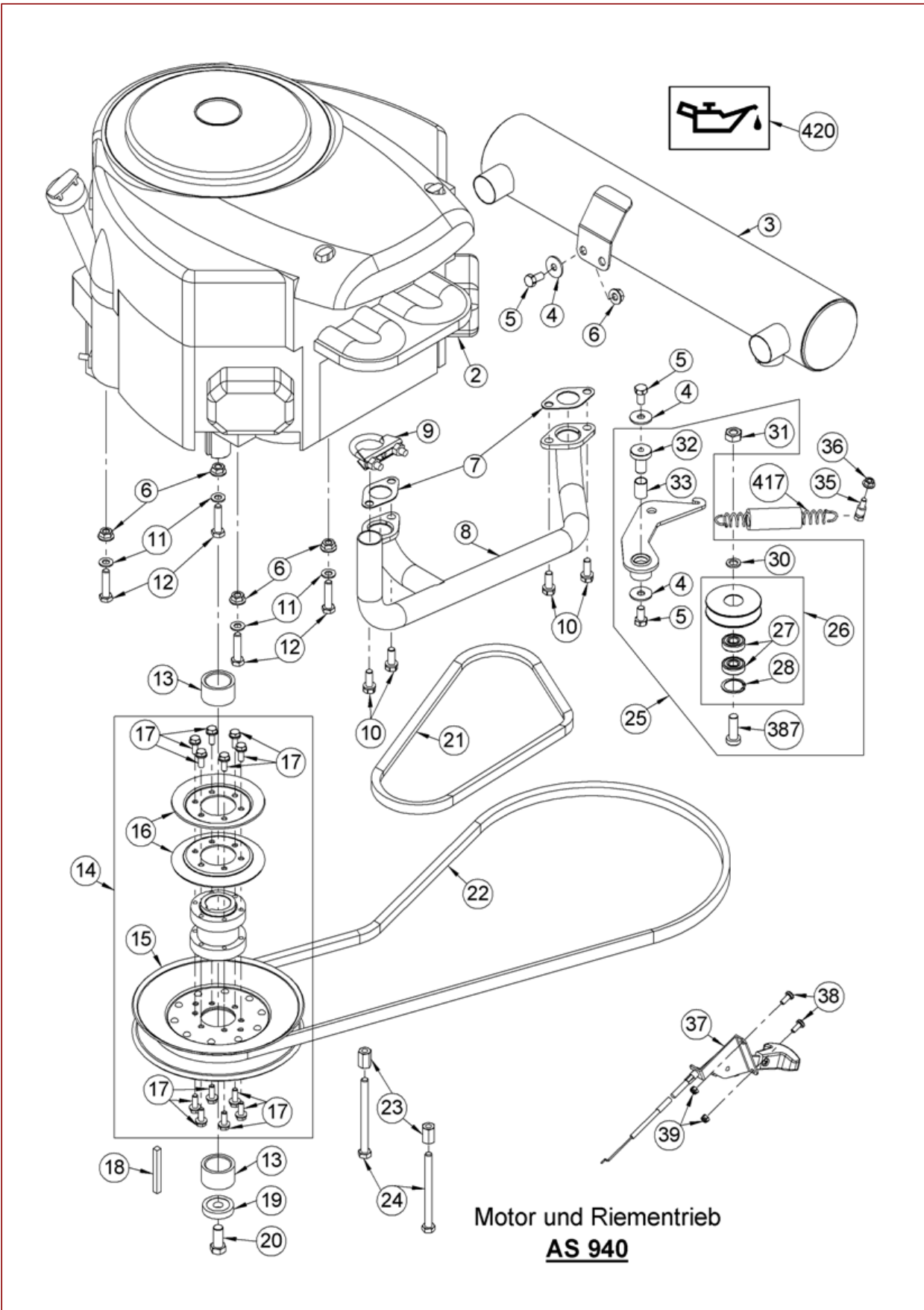
AS 940 Sherpa 4WD and AS 940 Sherpa – ET documentation – Seat

Pos	Art-Nr.	E-Nr.	Menge	Beschreibung	Modell	Info
6	G00007042	E06037	6	Selflocking nut with serrated bearing (3		
36	G00007041	E05975	4	Selflocking nut with serrated bearing (3		
54	G00009016	E04631	1	Hexagon screw with serration (5 Stk.)		
144	G07809006	E01940	2	Disc (10 Stk.)		
147	G00020166	E11524	1	Tow line		
237	G07890025	E06093	1	Flanged self-tapping screw (2 Stk.)		
239	G06920073	E11660	1	Seat + switch without rails		
240	G06650532	E08160	1	Seat contact switch		
241	G07875018	E07950	2	Raised cross-head sheet metal screw (5 S		
242	G06920084	E11662	1	Rail with adjusting lever		
243	G06920085	E11661	1	Inside rail		
244	G06920086	E11778	1	Outside rail with arrestor		
245	G06920076	E11664	1	Seat pin		
246	G06920077	E11665	1	Seat plate		
247	G07910002	E11666	6	Hexagon socket head cap screw (10 Stk.)		
248	G07861006	E07940	2	Disc		
249	G07846001	E01912	2	Self-locking hex nut (10 Stk.)		
250	G00002070	E11730	2	Draw spring		
252	G07880004	E03914	1	Disc (20 Stk.)		
253	G00007046	E06672	1	Box nut (2 Stk.)		
406	G06920083	E11781	1	Adjusting rails (1 set)		
407	G06920087	E11663	1	Outside rail		
414	G00009114	E08450	4	Raised flat-head screw		



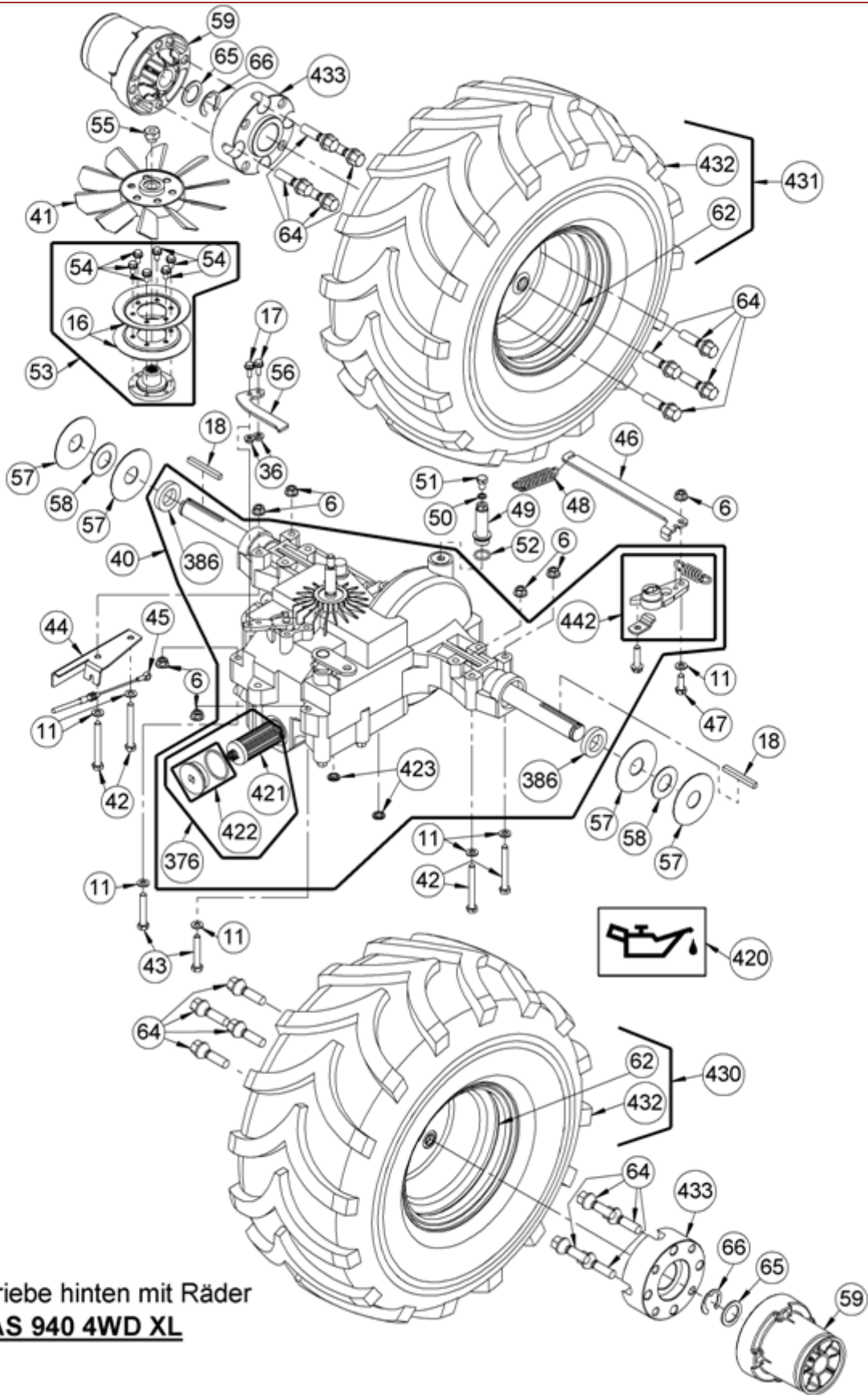
AS 940 Sherpa 4WD and AS 940 Sherpa – ET documentation – Seat spring

Pos	Art-Nr.	E-Nr.	Menge	Beschreibung	Modell	Info
6	G00007042	E06037	2	Selflocking nut with serrated bearing (3		
47	G07838047	E05320	2	Hexagon screw (10 Stk.)		
141	G07830031	E07211	2	Deep groove ball bearing		
185	G07856010	E04337	2	Disc spring (5 Stk.)		
186	G06822031	E08449	2	Bearing washer		
214	G06920072	E11643	1	Seat suspension total		
215	G06920044	E11644	1	Plate bottom		
216	G06920061	E11645	1	Lever inner		
217	G06920062	E11646	1	Lever outer		
218	G00028055	E11647	8	Friction bearing		
219	G06920049	E11648	1	Plate top total		
220	G06920071	E11649	1	Bumper		
221	G06920059	E11655	2	Bolt for shock absorbers		
222	G07864002	E03136	8	Lock washer (20 Stk.)		
223	G00028026	E06508	8	DU flanged bush		
224	G06920055	E11653	2	Joint bolt short		
225	G07853002	E01974	3	Spring pin (20 Stk.)		
226	G07847008	E02649	4	Supporting disc (5 Stk.)		
227	G06920058	E11654	1	Joint bolt long		
228	G06920052	E11651	1	Spring lever		
229	G06920048	E11659	2	Angle		
230	G06920060	E11656	1	Draw spring bolt		
231	G06920054	E11652	1	Spring bolt		
232	G00002068	E11650	2	Draw spring		
233	G07830012	E04329	1	Deep groove ball bearing		
234	G00024051	E11657	1	Sleeve		
235	G00009158	E11658	1	Star knob screw		
236	G00007049	E07148	1	Spacer nut		
237	G07890025	E06093	1	Flanged self-tapping screw (2 Stk.)		
238	G07838013	E02949	5	Hexagon screw (10 Stk.)		



AS 940 Sherpa 4WD and AS 940 Sherpa – ET documentation – Engine and Belt drive

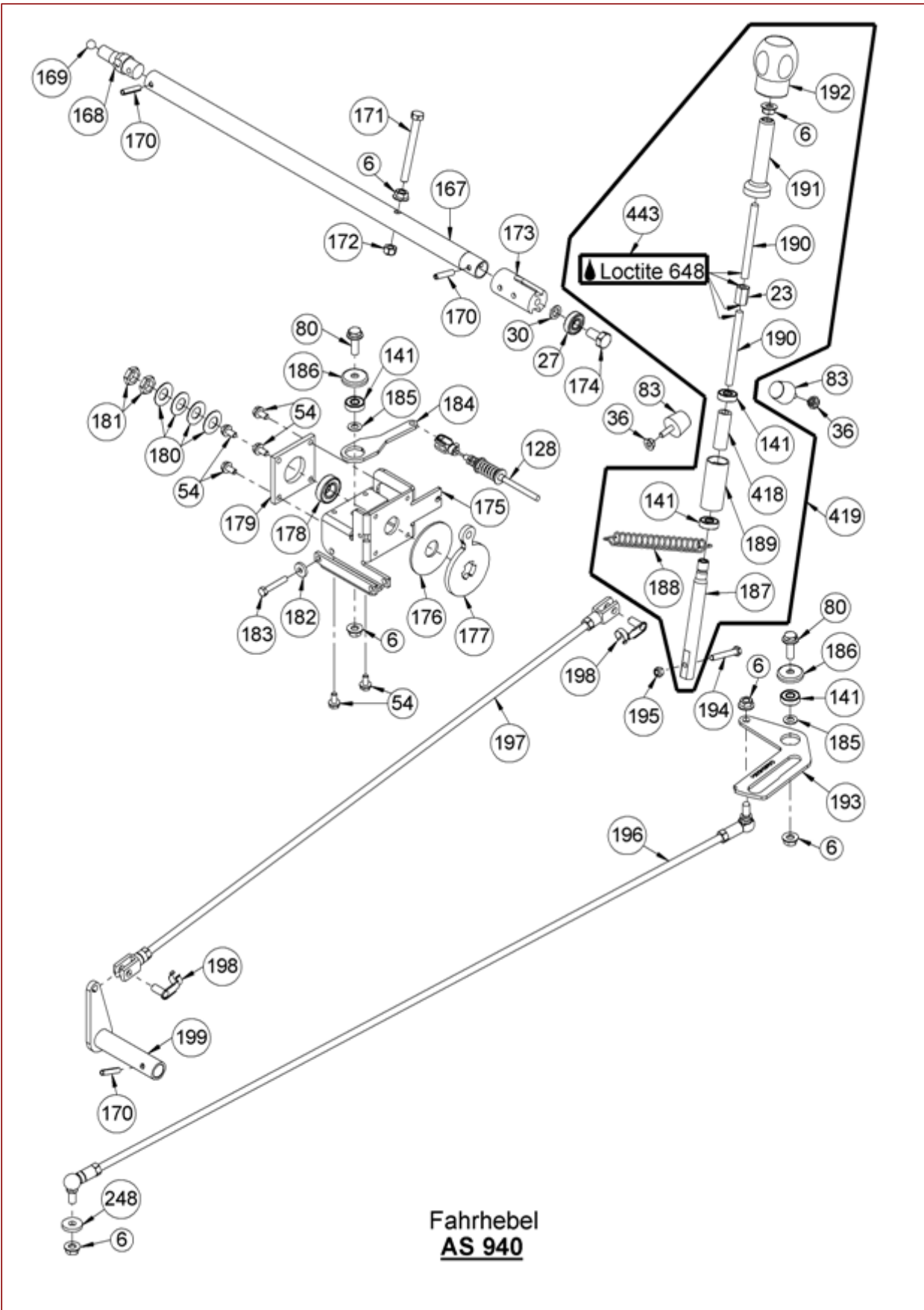
Pos	Art-Nr.	E-Nr.	Menge	Beschreibung	Modell	Info
2	G00501031	E11541	1	Engine B&S ELS 27HP		
3	G06909006	E11543	1	Exhaust		
4	G07880006	E03957	3	Disc (20 Stk.)		
5	G07838026	E03932	3	Hexagon screw (10 Stk.)		
6	G00007042	E06037	5	Selflocking nut with serrated bearing (3		
7	G00019062	E11723	2	Exhaust gasket		
8	G06909004	E11542	1	Exhaust manifold		
9	G00034031	E07616	1	Clip		
10	G00009160	E11724	4	Inch screw		
11	G07809004	E01905	4	Disc (20 Stk.)		
12	G07837010	E03081	4	Hexagon screw (5 Stk.)		
13	G00024048	E11547	2	Spacer sleeve		
14	G06925025	E11544	1	Engine hub total		
15	G06925026	E11545	1	Belt pulley dw145		
16	G06925017	E11546	2	Belt pulley half		
17	G00009094	E07247	12	Locking screw (2 Stk.)		
18	G07865023	E08673	1	Feather key		
19	G00010106	E07879	1	Drive pulley		
20	G00009066	E06716	1	Inch screw (2 Stk.)		
21	G07857046	E11462	1	V-belt		
22	G07857047	E11463	1	High performance V-belt		
23	G00007061	E10018	2	Connection nut		
24	G07837059	E06887	2	Hexagon screw (2 Stk.)		
25	G06925024	E11548	1	Belt tensioner total		
26	G06980004	E11549	1	Tension pulley with ball bearing		
27	G07830014	E04345	2	Deep groove ball bearing		
28	G07823020	E11550	1	Circlip for drilled hole (10 Stk.)		
30	G07847048	E08172	1	Shim (10 Stk.)		
31	G07839008	E01953	1	Hex nut (10 Stk.)		
32	G06525054	E07158	1	Tension lever bearing		
33	G00028027	E06473	1	DU bush		
35	G04325062	E04357	1	Mounting bolt		
36	G00007041	E05975	1	Selflocking nut with serrated bearing (3		
37	G00020164	E11464	1	Throttle cable		
38	G00009128	E10373	2	Self-tapping Torx screw (10 Stk.)		
39	G07846002	E01932	2	Self-locking hex nut (5 Stk.)		
387	G07910003	E11768	1	Hexagon socket head cap screw (5 Stk.)		
417	G06980010	E12207	1	Draw spring with hose piece		
420	G00041064	E12381	1	2x5 liter canister oil Titan Supersyn SA		



Getriebe hinten mit Räder
AS 940 4WD XL

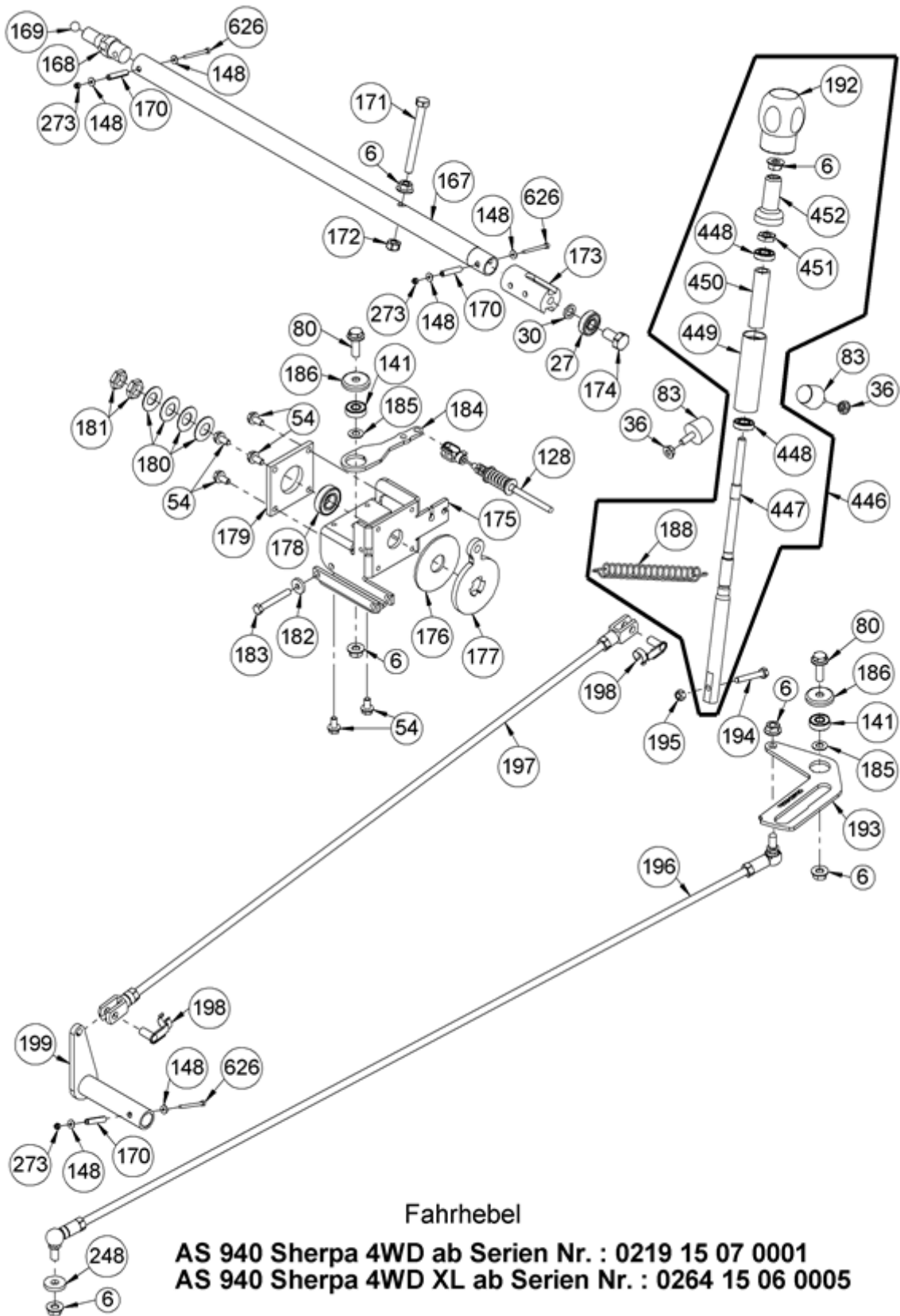
AS 940 Sherpa 4WD XL and AS 940 Sherpa XL – ET documentation – Rear transmission with wheels

Pos	Art-Nr.	E-Nr.	Menge	Beschreibung	Modell	Info
6	G00007042	E06037	7	Selflocking nut with serrated bearing (3		
11	G07809004	E01905	7	Disc (20 Stk.)		
16	G06925017	E11546	2	Belt pulley half		
17	G00009094	E07247	2	Locking screw (2 Stk.)		
18	G07865023	E08673	2	Feather key		
36	G00007041	E05975	2	Selflocking nut with serrated bearing (3		
40	G06930015	E11552	1	Transmission rear		
41	G06930023	E11553	1	Impeller		
42	G07837035	E04686	4	Hexagon screw (4 Stk.)		
43	G07837020	E03924	2	Hexagon screw (4 Stk.)		
44	G06930009	E11554	1	Counter support		
45	G00020162	E11396	1	Differential cable		
46	G06930010	E11555	1	Extension		
47	G07838047	E05320	1	Hexagon screw (10 Stk.)		
48	G00002011	E04343	1	Draw spring		
49	G06930021	E11556	1	Ventilation		
50	G07935001	E11557	1	Copper ring (10 Stk.)		
51	G07838012	E03714	1	Hexagon screw (10 Stk.)		
52	G00006061	E11558	1	O-ring (2 Stk.)		
53	G06930016	E11559	1	Gear hub total		
54	G00009016	E04631	6	Hexagon screw with serration (5 Stk.)		
55	G00007074	E11560	1	Sondermutter M10		
56	G06930022	E11561	1	Adjusting lever		
57	G06921001	E11562	4	Winding protection		
58	G00010129	E11563	2	Slide washer		
59	G06921003	E11564	2	Wheel hub rear		
62	G06950009	E11568	2	Rear wheel rim 18X9.50-8		
64	G00009157	E11570	16	Spherical collar screw		
65	G07847032	E05667	2	Supporting disc		
66	G07864013	E11565	2	Lock washer		
376	G06980002	E11530	1	Oil filter + cap + gaskets		
386	G06950024	E11759	2	Shaft seal ring		
420	G00041064	E12381	1	2x5 liter canister oil Titan Supersyn SA		
421	G06950002	E11531	1	Oil filter transmission		
422	G06950004	E11533	1	Cover + O-ring		
423	G06950016	E11741	2	Sealing disc 10		
430	G06921013	E13069	1	Back wheel left		
431	G06921012	E13068	1	Back wheel right		
432	G06950047	E13070	2	Cover for rear wheel		
433	G06921010	E11795	2	Wheel adapter		
442	G06980013	E13140	1	Lever+lever holder+draw spring		



AS 940 Sherpa 4WD XL and AS 940 Sherpa XL – ET documentation – Drive lever

Pos	Art-Nr.	E-Nr.	Menge	Beschreibung	Modell	Info
6	G00007042	E06037	6	Selflocking nut with serrated bearing (3		
23	G00007061	E10018	1	Connection nut		
27	G07830014	E04345	1	Deep groove ball bearing		
30	G07847048	E08172	1	Shim (10 Stk.)		
36	G00007041	E05975	2	Selflocking nut with serrated bearing (3		
54	G00009016	E04631	6	Hexagon screw with serration (5 Stk.)		
80	G00009085	E06761	2	Hexagon screw		
83	G00008061	E04597	2	Stop buffer		
128	G00020163	E11397	1	Brake pedal cable		
141	G07830031	E07211	4	Deep groove ball bearing		
167	G06922020	E11619	1	Drive lever tube		
168	G06922019	E11620	1	Drive lever pin		
169	G07904005	E11621	1	Ball (2 Stk.)		
170	G07853035	E06617	3	Spring pin (2 Stk.)		
171	G07838043	E04750	1	Hexagon screw (3 Stk.)		
172	G07906001	E06261	1	Self-locking hex nut (6 Stk.)		
173	G06922021	E11622	1	Drive lever sleeve		
174	G07838025	E03930	1	Hexagon screw (5 Stk.)		
175	G06922009	E11623	1	Bearing plate		
176	G00019050	E03076	1	Slide washer (2 Stk.)		
177	G06822021	E08413	1	Drive lever left		
178	G07830003	E02104	1	Deep groove ball bearing		
179	G06822033	E08455	1	Bearing flange		
180	G07856005	E03483	4	Disc spring (5 Stk.)		
181	G00007044	E06130	2	Hex nut		
182	G07861005	E07877	1	Disc (2 Stk.)		
183	G07837024	E04058	1	Hexagon screw (10 Stk.)		
184	G06922023	E11624	1	Release lever		
185	G07856010	E04337	2	Disc spring (5 Stk.)		
186	G06822031	E08449	2	Bearing washer		
187	G06922022	E11625	1	Replaced by G06922043		
☞	G06922043	G06922043	1	Drive lever total		
188	G00002040	E06475	1	Draw spring		
189	G06922018	E11627	1	Replaced by G06922043		
☞	G06922043	G06922043	1	Drive lever total		
190	G07924002	E11626	2	Replaced by G06922043		
☞	G06922043	G06922043	1	Drive lever total		
191	G00008144	E11629	1	Replaced by G06922043		
☞	G06922043	G06922043	1	Drive lever total		
192	G00008143	E11628	1	Ball handle		
193	G06834005	E08454	1	Brake bracket		
194	G07837008	E02926	1	Hexagon screw (10 Stk.)		
195	G07906002	E06667	1	Self-locking hex nut (10 Stk.)		
196	G06934005	E11630	1	Brake rod total		
197	G06925005	E11631	1	Drive rod total		
198	G00039005	E08459	2	Folding spring bolt		
199	G06925001	E11642	1	Drive lever total		
248	G07861006	E07940	1	Disc		
418	G00024060	E12222	1	Replaced by G06922043		
☞	G06922043	G06922043	1	Drive lever total		
419	G06922038	E12228	1	Replaced by G06922043		
☞	G06922043	G06922043	1	Drive lever total		
443	G00041013	E06078	1	LOCTITE 648 (50 ml)		

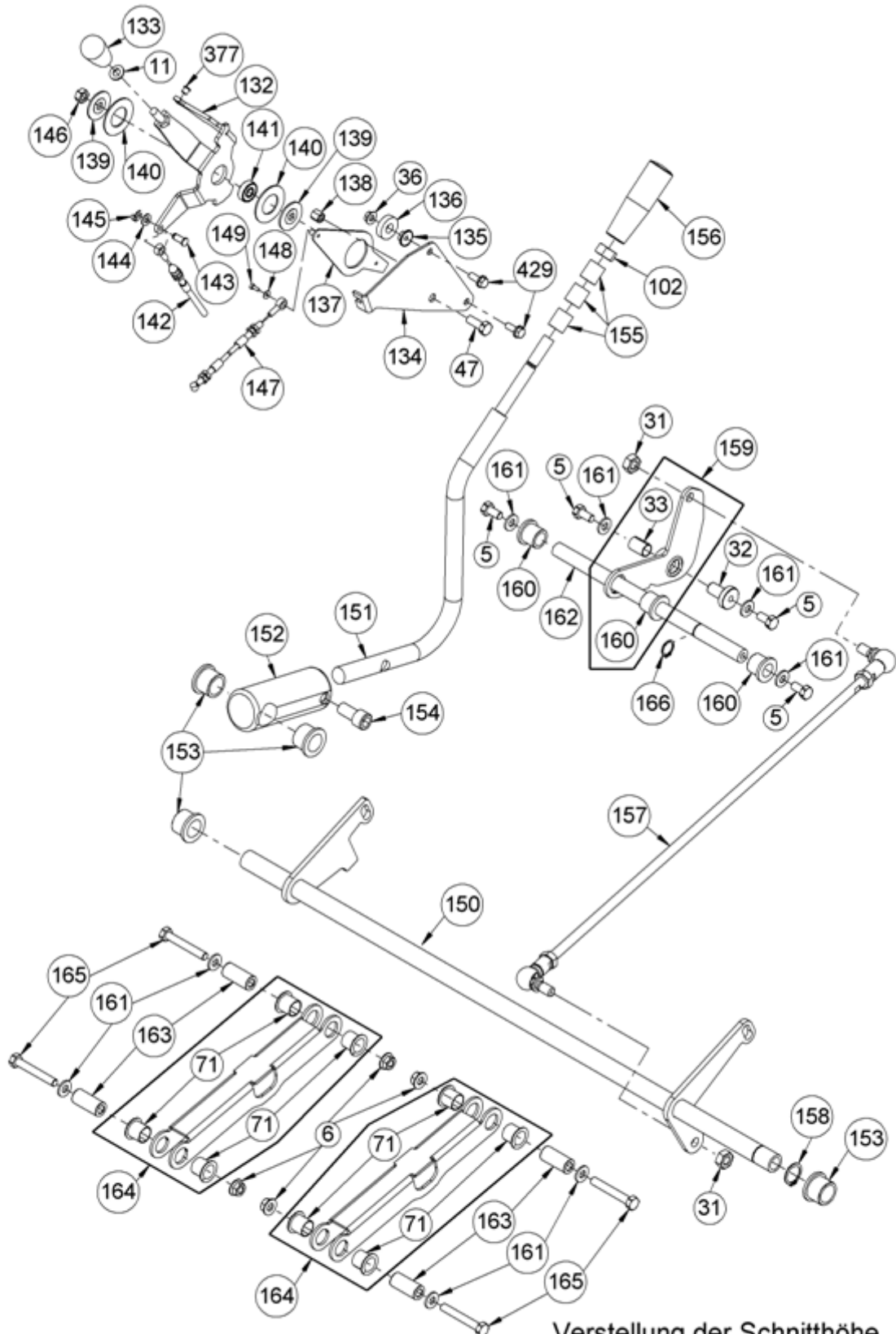


Fahrhebel

AS 940 Sherpa 4WD ab Serien Nr. : 0219 15 07 0001
AS 940 Sherpa 4WD XL ab Serien Nr. : 0264 15 06 0005

AS 940 Sherpa 4WD XL and AS 940 Sherpa XL – ET documentation – Drive lever from serial No. 026415060005

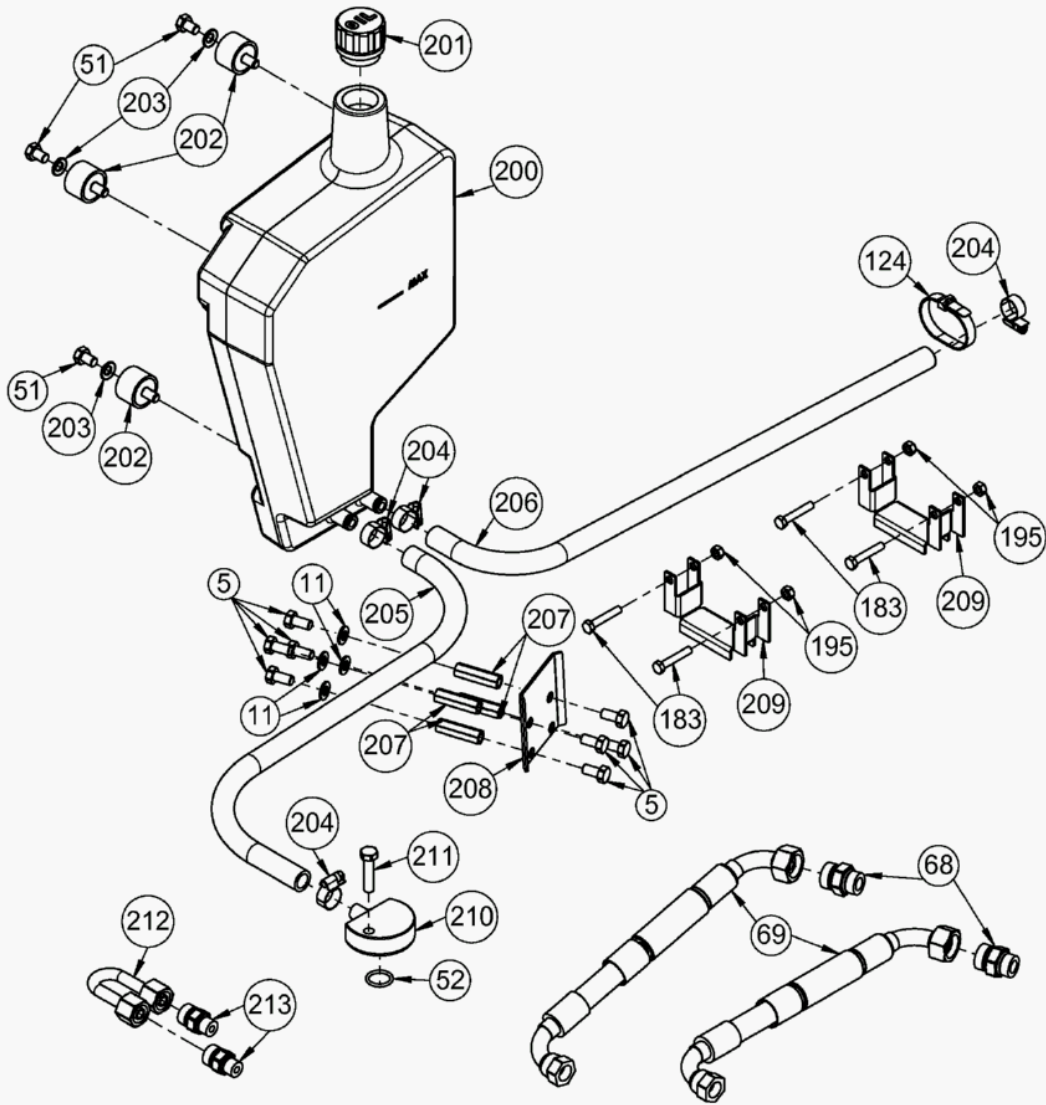
Pos	Art-Nr.	E-Nr.	Menge	Beschreibung	Modell	Info
6	G00007042	E06037	6	Selflocking nut with serrated bearing (3		
27	G07830014	E04345	1	Deep groove ball bearing		
30	G07847048	E08172	1	Shim (10 Stk.)		
36	G00007041	E05975	2	Selflocking nut with serrated bearing (3		
54	G00009016	E04631	6	Hexagon screw with serration (5 Stk.)		
80	G00009085	E06761	2	Hexagon screw		
83	G00008061	E04597	2	Stop buffer		
128	G00020163	E11397	1	Brake pedal cable		
141	G07830031	E07211	2	Deep groove ball bearing		
148	G07880009	E07936	6	Disc (5 Stk.)		
167	G06922020	E11619	1	Drive lever tube		
168	G06922019	E11620	1	Drive lever pin		
169	G07904005	E11621	1	Ball (2 Stk.)		
170	G07853035	E06617	3	Spring pin (2 Stk.)		
171	G07838043	E04750	1	Hexagon screw (3 Stk.)		
172	G07906001	E06261	1	Self-locking hex nut (6 Stk.)		
173	G06922021	E11622	1	Drive lever sleeve		
174	G07838025	E03930	1	Hexagon screw (5 Stk.)		
175	G06922009	E11623	1	Bearing plate		
176	G00019050	E03076	1	Slide washer (2 Stk.)		
177	G06822021	E08413	1	Drive lever left		
178	G07830003	E02104	1	Deep groove ball bearing		
179	G06822033	E08455	1	Bearing flange		
180	G07856005	E03483	4	Disc spring (5 Stk.)		
181	G00007044	E06130	2	Hex nut		
182	G07861005	E07877	1	Disc (2 Stk.)		
183	G07837024	E04058	1	Hexagon screw (10 Stk.)		
184	G06922023	E11624	1	Release lever		
185	G07856010	E04337	2	Disc spring (5 Stk.)		
186	G06822031	E08449	2	Bearing washer		
188	G00002040	E06475	1	Draw spring		
192	G00008143	E11628	1	Ball handle		
193	G06834005	E08454	1	Brake bracket		
194	G07837008	E02926	1	Hexagon screw (10 Stk.)		
195	G07906002	E06667	1	Self-locking hex nut (10 Stk.)		
196	G06934005	E11630	1	Brake rod total		
197	G06925005	E11631	1	Drive rod total		
198	G00039005	E08459	2	Folding spring bolt		
199	G06925001	E11642	1	Drive lever total		
248	G07861006	E07940	1	Disc		
273	G07846016	E08540	3	Self-locking hex nut (5 Stk.)		
446	G06922043	G06922043	1	Drive lever total		
447	G06922041	G06922041	1	Drive lever		
448	G07830054	G07830054	2	Deep groove ball bearing		
449	G06922042	G06922042	1	Drive lever roller		
450	G00024069	G00024069	1	Sleeve		
451	G07818001	E01188	1	Hex nut (2 Stk.)		
452	G00008203	G00008203	1	Immersion hose		
626	G07833052	G07833052	3	Hexagon socket head cap screw		



Verstellung der Schnitthöhe
AS 940

AS 940 Sherpa 4WD and AS 940 Sherpa – ET documentation – Adjustment of cutting height

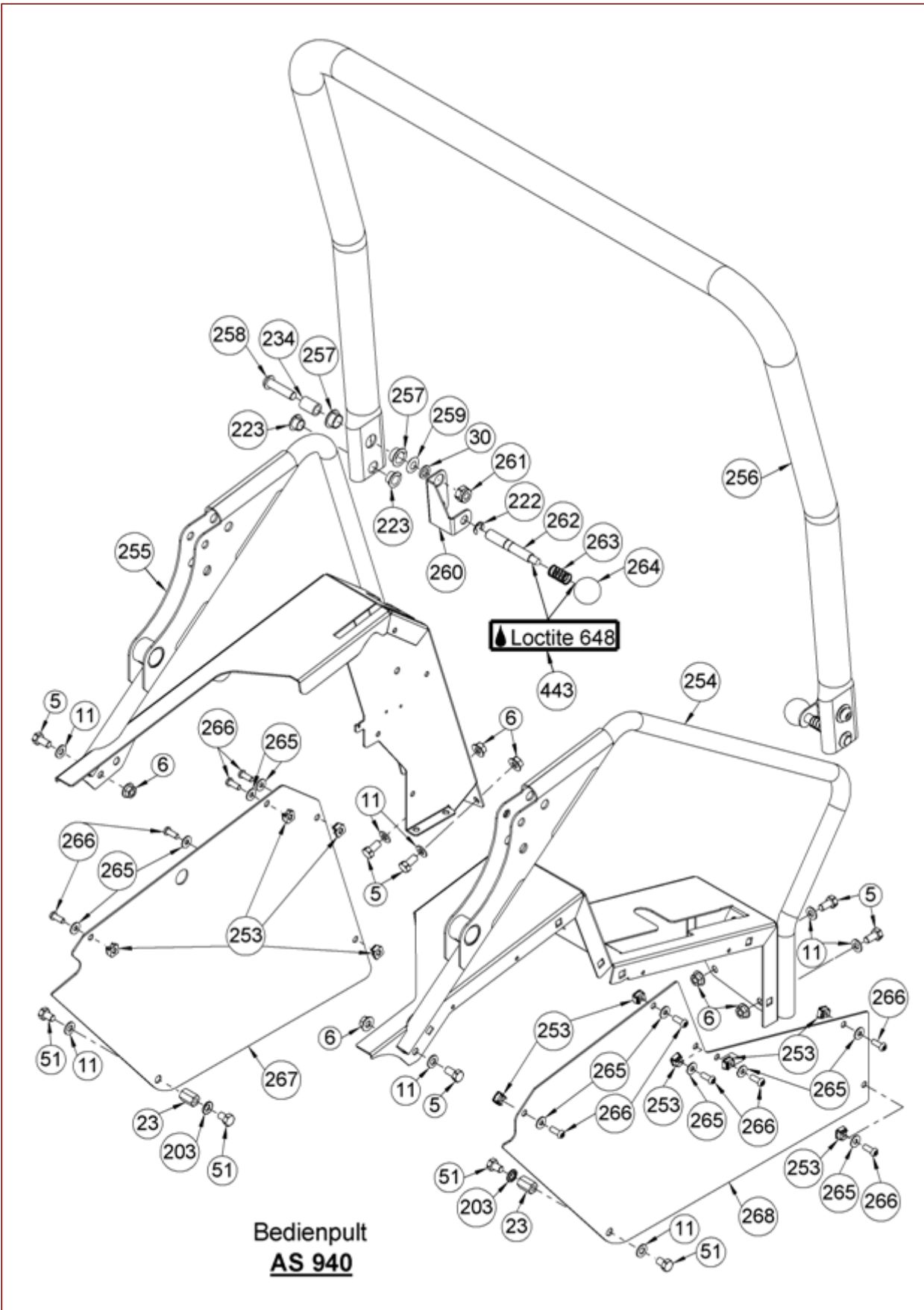
Pos	Art-Nr.	E-Nr.	Menge	Beschreibung	Modell	Info
5	G07838026	E03932	4	Hexagon screw (10 Stk.)		
6	G00007042	E06037	4	Selflocking nut with serrated bearing (3		
11	G07809004	E01905	1	Disc (20 Stk.)		
31	G07839008	E01953	2	Hex nut (10 Stk.)		
32	G06525054	E07158	1	Tension lever bearing		
33	G00028027	E06473	1	DU bush		
36	G00007041	E05975	1	Selflocking nut with serrated bearing (3		
47	G07838047	E05320	1	Hexagon screw (10 Stk.)		
71	G00028025	E06504	8	DU flanged bush		
102	G07839015	E03921	1	Hex nut (4 Stk.)		
132	G06922008	E11603	1	Blade engagement lever		
133	G00008141	E11604	1	Cylinder button		
134	G06922030	E11605	1	Reinforcement		
135	G00007066	E10591	1	Nut with spring washer (10 Stk.)		
136	G00008119	E10020	1	Cylindrical spring		
137	G06922040	E11607	1	Finger		
138	G00007025	E03706	1	Special nut (10 Stk.)		
139	G00010130	E11606	2	Special disc		
140	G00010102	E07221	2	Thrust washer		
141	G07830031	E07211	1	Deep groove ball bearing		
142	G00020161	E11395	1	Blade drive cable		
143	G00012027	E08451	1	Bolt for anti-folding mechanism		
144	G07809006	E01940	1	Disc (10 Stk.)		
145	G00027016	E08452	1	Anti-folding mechanism (5 Stk.)		
146	G07839003	E01906	1	Hex nut (10 Stk.)		
147	G00020166	E11524	1	Tow line		
148	G07880009	E07936	1	Disc (5 Stk.)		
149	G07833045	E11608	1	Hexagon socket head cap screw (10 Stk.)		
150	G06922032	E11609	1	Retractable axle total		
151	G06922010	E11610	1	Adjusting lever		
152	G06822029	E08444	1	Adjusting lever pin		
153	G00028038	E08445	3	Friction bearing with collar		
154	G07833028	E08446	1	Hexagon socket head cap screw		
155	G00028053	E11611	3	Friction bearing (3 Stk.)		
156	G00008142	E11612	1	Cylinder button		
157	G06922034	E11613	1	Lifter rod total		
158	G07822012	E07552	1	Circlip for shaft (2 Stk.)		
159	G06922035	E11614	1	Deflection lever + friction bearing		
160	G00028054	E11615	3	Friction bearing with collar		
161	G07926001	E08403	8	Disc (4 Stk.)		
162	G06922012	E11618	1	Lifter brace		
163	G06922013	E11617	4	Lift bolts		
164	G06922036	E11616	2	Lifting arm + DU bushings		
165	G07837015	E03777	4	Hexagon screw (5 Stk.)		
166	G07822007	E04326	1	Circlip for shaft (20 Stk.)		
377	G00008086	E05973	1	Rubber buffer (2 Stk.)		
429	G07838006	E01942	1	Hexagon screw (10 Stk.)		



Hydraulik
AS 940

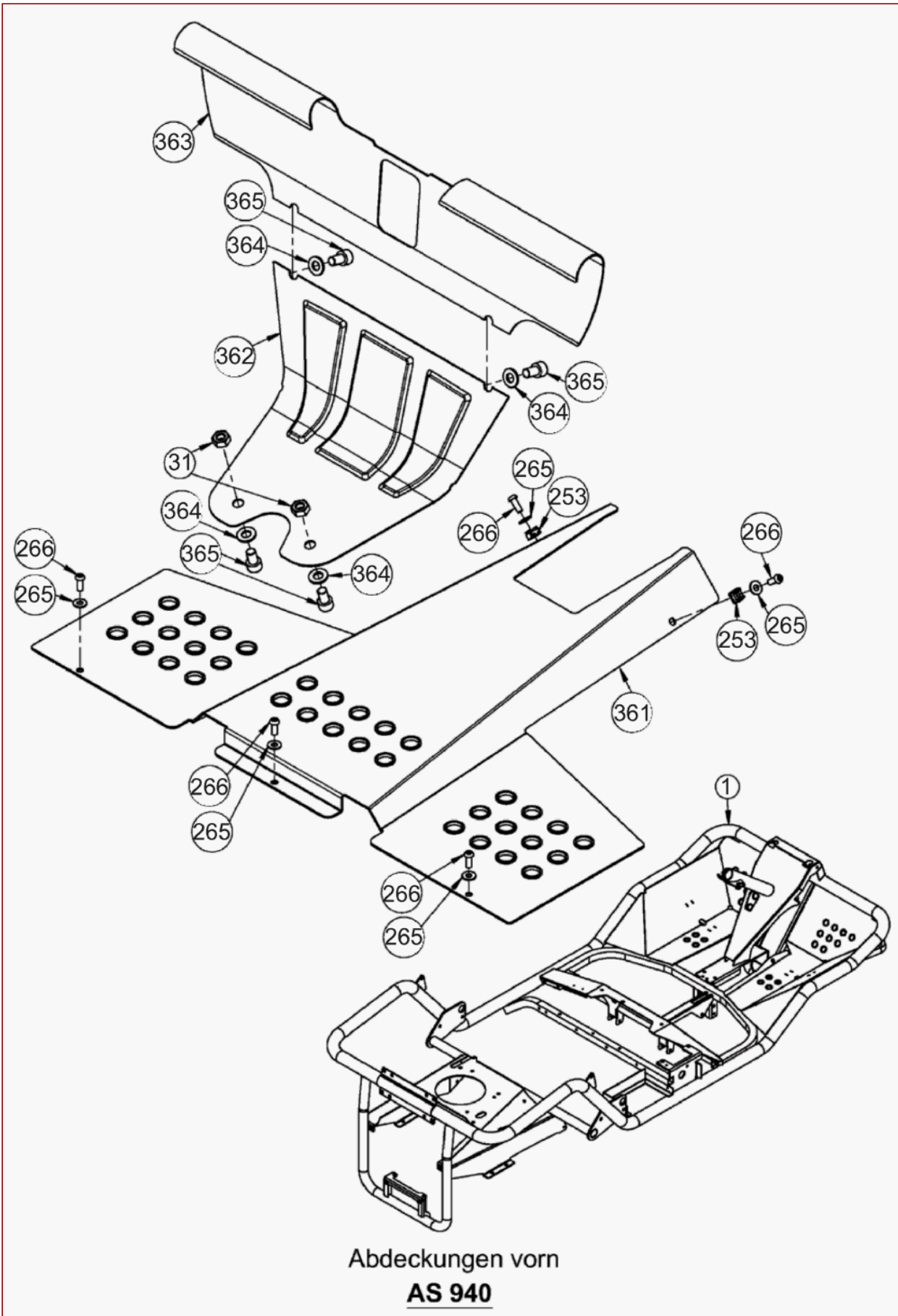
AS 940 Sherpa 4WD and AS 940 Sherpa – ET documentation – hydraulik

Pos	Art-Nr.	E-Nr.	Menge	Beschreibung	Modell	Info
5	G07838026	E03932	8	Hexagon screw (10 Stk.)		
11	G07809004	E01905	4	Disc (20 Stk.)		
51	G07838012	E03714	3	Hexagon screw (10 Stk.)		
52	G00006061	E11558	1	O-ring (2 Stk.)		
68	G06930008	E11572	2	Threaded connection		
69	G06930007	E11573	2	Hydraulic hose		
124	G00026003	E03782	1	Cable tape (2 Stk.)		
183	G07837024	E04058	4	Hexagon screw (10 Stk.)		
195	G07906002	E06667	4	Self-locking hex nut (10 Stk.)		
200	G06930006	E11632	1	Surge tank		
201	G06930020	E11633	1	Vent cover		
202	G00008050	E03207	3	Rubber element		
203	G00042004	E05863	3	Detent edge disc (5 Stk.)		
204	G00034030	E07606	4	Hose clamp		
205	G06930018	E11634	1	Rubber hydraulic hose 575±5		
206	G06930019	E11635	1	Rubber hydraulic hose 1010±5		
207	G00007075	E11636	4	Connection nut (10 Stk.)		
208	G06925022	E11637	1	Closing		
209	G06925021	E11638	2	Holder		
210	G06930017	E11641	1	Elbow		
211	G07838044	E05609	1	Hexagon screw (5 Stk.)		
212	G06930013	E11639	1	Bow		
213	G06930014	E11640	2	Threaded connection		



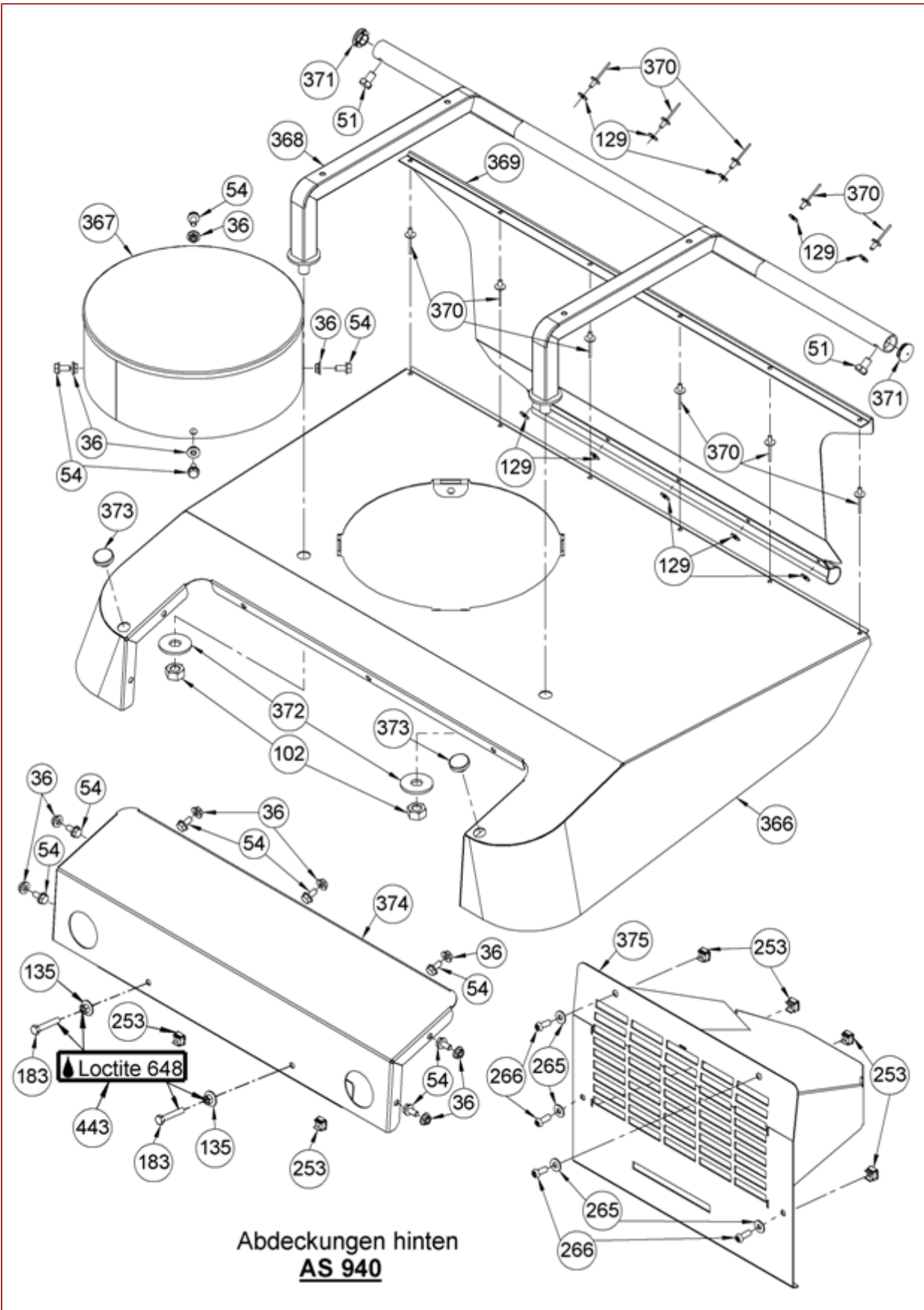
AS 940 Sherpa 4WD and AS 940 Sherpa – ET documentation – Control panel

Pos	Art-Nr.	E-Nr.	Menge	Beschreibung	Modell	Info
5	G07838026	E03932	6	Hexagon screw (10 Stk.)		
6	G00007042	E06037	6	Selflocking nut with serrated bearing (3		
11	G07809004	E01905	8	Disc (20 Stk.)		
23	G00007061	E10018	2	Connection nut		
30	G07847048	E08172	2	Shim (10 Stk.)		
51	G07838012	E03714	4	Hexagon screw (10 Stk.)		
203	G00042004	E05863	2	Detent edge disc (5 Stk.)		
222	G07864002	E03136	2	Lock washer (20 Stk.)		
223	G00028026	E06508	4	DU flanged bush		
234	G00024051	E11657	2	Sleeve		
253	G00007046	E06672	9	Box nut (2 Stk.)		
254	G06920068	E11668	1	Control panel right		
255	G06920067	E11667	1	Control panel left		
256	G06926033	E11669	1	Bar		
257	G00028056	E11670	4	DU flanged bush (2 Stk.)		
258	G07922003	E10159	2	Raised countersunk head screw with hexag		
259	G07856011	E05856	2	Disc spring (3 Stk.)		
260	G06926019	E11671	2	Tab washer for bow		
261	G07846005	E01968	2	Self-locking hex nut (10 Stk.)		
262	G00012034	E11672	2	Bolt for tab washer		
263	G00001066	E05849	2	Pressure spring (4 Stk.)		
264	G07917001	E07245	2	Spherical button		
265	G00010121	E10126	10	Mudguard washer (10 Stk.)		
266	G00009159	E11673	10	Dome head screw with Torx (10 Stk.)		
267	G06926007	E11675	1	Side cover left		
268	G06926006	E11674	1	Side cover right		
443	G00041013	E06078	1	LOCTITE 648 (50 ml)		



AS 940 Sherpa 4WD and AS 940 Sherpa – ET documentation – Covers front

Pos	Art-Nr.	E-Nr.	Menge	Beschreibung	Modell	Info
1	G06920066	E11540	1	Frame		
31	G07839008	E01953	2	Hex nut (10 Stk.)		
253	G00007046	E06672	2	Box nut (2 Stk.)		
265	G00010121	E10126	5	Mudguard washer (10 Stk.)		
266	G00009159	E11673	5	Dome head screw with Torx (10 Stk.)		
361	G06926008	E11715	1	Base plate		
362	G06926001	E11716	1	Front guard		
363	G06926030	E11717	1	Front panel		
364	G07809008	E03668	4	Disc (5 Stk.)		
365	G07833030	E08631	4	Hexagon socket head cap screw		



AS 940 Sherpa 4WD and AS 940 Sherpa – ET documentation – Covers rear

Pos	Art-Nr.	E-Nr.	Menge	Beschreibung	Modell	Info
36	G00007041	E05975	11	Selflocking nut with serrated bearing (3		
51	G07838012	E03714	2	Hexagon screw (10 Stk.)		
54	G00009016	E04631	11	Hexagon screw with serration (5 Stk.)		
102	G07839015	E03921	2	Hex nut (4 Stk.)		
129	G07880005	E03948	10	Disc (20 Stk.)		
135	G00007066	E10591	2	Nut with spring washer (10 Stk.)		
183	G07837024	E04058	2	Hexagon screw (10 Stk.)		
253	G00007046	E06672	6	Box nut (2 Stk.)		
265	G00010121	E10126	4	Mudguard washer (10 Stk.)		
266	G00009159	E11673	4	Dome head screw with Torx (10 Stk.)		
366	G06926018	E11719	1	Engine cover		
367	G06926025	E11720	1	Ventilation grid		
368	G06926026	E11527	1	Protection bow total		
369	G06926027	E11721	1	Covering sheet		
370	G00012006	E05262	10	Blind rivet (5 Stk.)		
371	G00029025	E11722	2	Lamella plugs (4 Stk.)		
372	G07880008	E04407	2	Disc (10 Stk.)		
373	G00008089	E06147	2	Body plug (2 Stk.)		
374	G06926020	E11718	1	Exhaust pipe guard		
375	G06926013	E11726	1	Transmission protection cover		
443	G00041013	E06078	1	LOCTITE 648 (50 ml)		



Pos.Nr.	ET-Nr.	Benennung
1	E12732	Aufkleber - Set AS 940

AS 940 Sherpa 4WD and AS 940 Sherpa – ET documentation – Instruction plate - set

Pos	Art-Nr.	E-Nr.	Menge	Beschreibung	Modell	Info
1	G06980012	E12732	1	Instruction plate - set AS 940		