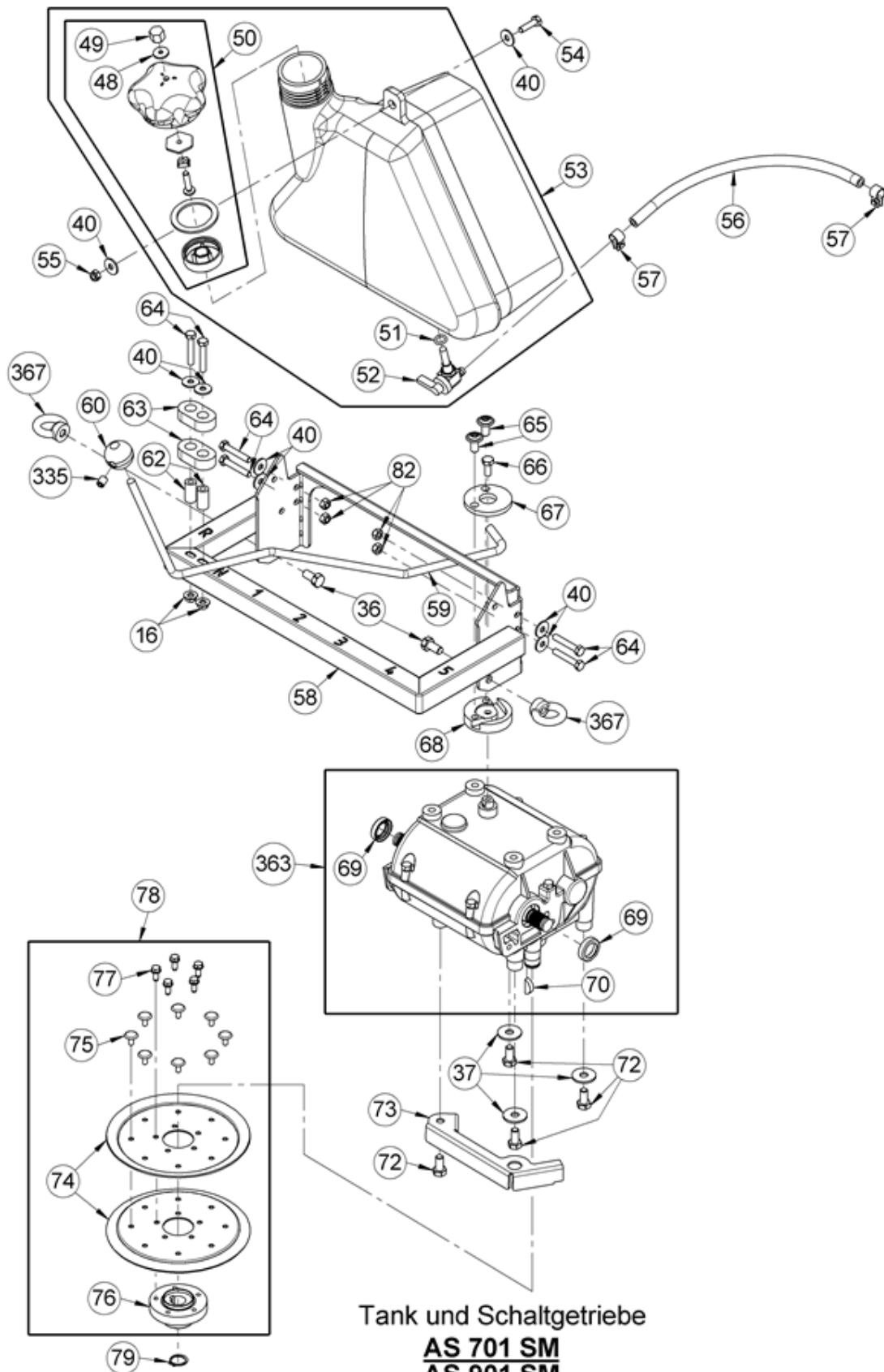


Motor und Riementrieb  
**AS 901 SM**

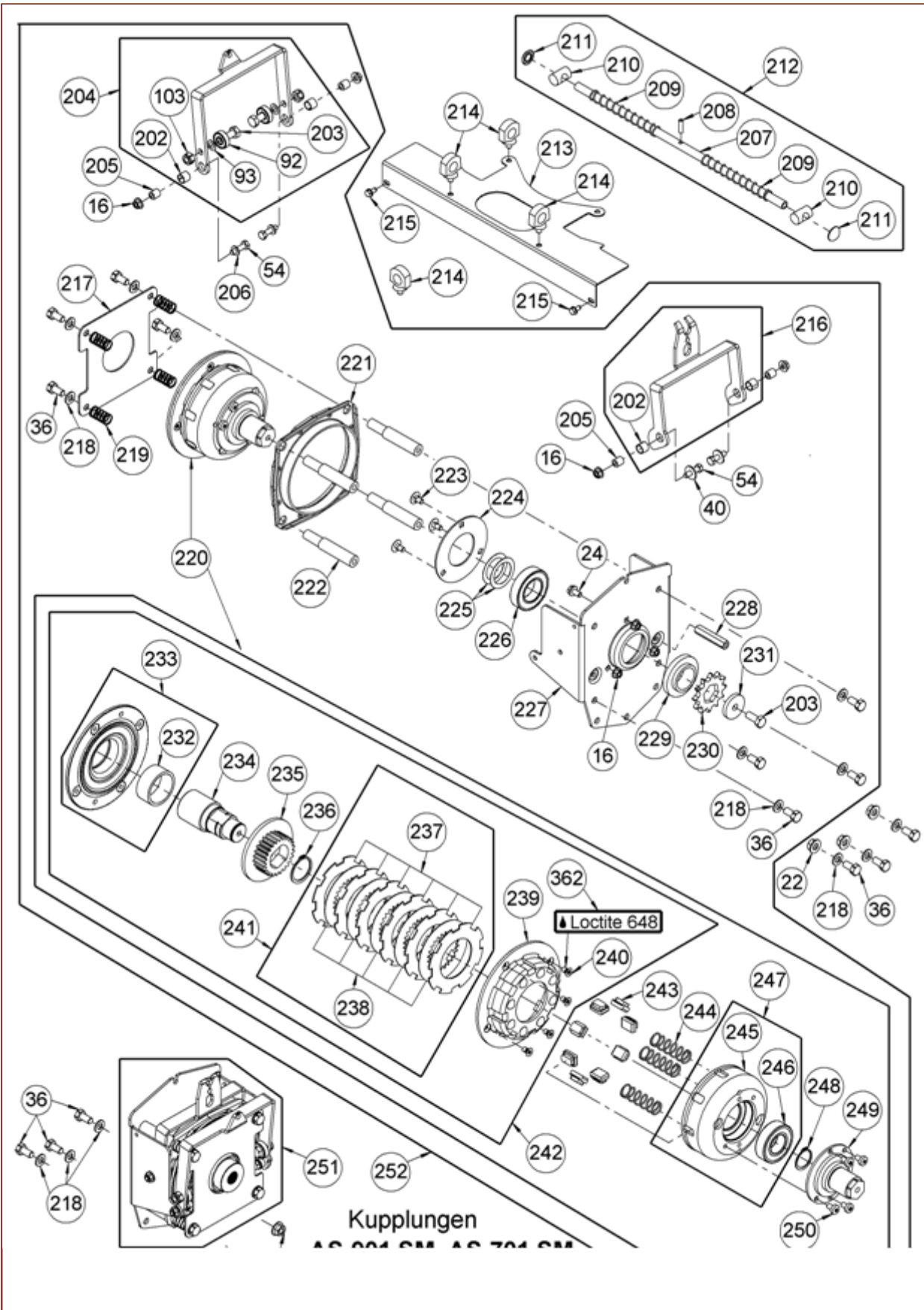
AS 901 SM – Documentation spare parts – Motor and belt drive

Pos	Art-Nr.	E-Nr.	Menge	Beschreibung	Modell	Info
1	G00501036	E12716	1	Engine B&S 16 GROSS HP VANGUARD		
2	G06526034	E11744	1	Ventilation grid		
3	G06526035	E11745	4	Angle bracket		
5	G00550002	E06742	2	Manifold gasket (5 Stk.)		
6	G00509021	E07216	1	Manifold total		
7	G00550003	E06743	4	Manifold screw (5 Stk.)		
8	G00580001	E06741	1	Clip total (5 Stk.)		
9	G00012022	E06755	4	Blind rivet (2 Stk.)		
10	G00509020	E07244	1	Exhaust plate		
11	G00509009	E06822	1	Silencer		
12	G00509018	E07212	1	Deflector		
13	G07890028	E06594	4	Self-tapping screw (5 Stk.)		
14	G00509022	E07227	1	Silencer total		
15	G00009094	E07247	8	Locking screw (2 Stk.)		
16	G00007041	E05975	4	Selflocking nut with serrated bearing (3		
17	G00550004	E06744	1	Oil pressure switch		
18	G06650163	E07344	1	Extension		
19	G06650164	E07345	1	Oil drain tube		
20	G00009069	E06613	4	Raised-head shouldered screw (2 Stk.)		
21	G07810004	E06262	6	Disc (5 Stk.)		
22	G00007042	E06037	6	Selflocking nut with serrated bearing (3		
23	G06520021	E06495	1	Wind cowl		
24	G00009016	E04631	6	Hexagon screw with serration (5 Stk.)		
25	G00024033	E08081	1	Engine sleeve		
26	G06725051	E08082	2	Belt pulley half dw 62,5		
27	G90125007	E13094	1	Engine hub		
28	G07865023	E08673	1	Feather key		
29	G04325080	E04829	1	V-belt		
30	G06925026	E11545	1	Belt pulley dw145		
31	G00010106	E07879	1	Drive pulley		
32	G00009066	E06716	1	Inch screw (2 Stk.)		
33	G07837047	E05681	1	Hexagon screw (2 Stk.)		
34	G07857033	E08228	1	High performance V-belt		
35	G00002067	E10881	1	Draw spring		
36	G07838026	E03932	2	Hexagon screw (10 Stk.)		
37	G07880006	E03957	2	Disc (20 Stk.)		
38	G00028027	E06473	1	DU bush		
39	G06525054	E07158	1	Tension lever bearing		
40	G07880004	E03914	1	Disc (20 Stk.)		
41	G06525056	E07891	1	Tension pulley		
42	G07830047	E12509	1	Deep groove ball bearing		
43	G07823016	E07209	1	Circlip for drilled hole (2 Stk.)		
44	G06525063	E07208	1	Tension pulley with ball bearing		
45	G90125013	E13023	1	Belt tensioner total		
46	G00007079	E12369	1	Special nut		
47	G00002056	E07867	1	Draw spring		
336	G00005033	E05629	1	Cable holder		



AS 901 SM – Documentation spare parts – Tank and transmission

Pos	Art-Nr.	E-Nr.	Menge	Beschreibung	Modell	Info
16	G00007041	E05975	2	Selflocking nut with serrated bearing (3		
37	G07880006	E03957	3	Disc (20 Stk.)		
36	G07838026	E03932	2	Hexagon screw (10 Stk.)		
40	G07880004	E03914	8	Disc (20 Stk.)		
48	G00019051	E05246	1	Sealing disc (5 Stk.)		
49	G00007033	E05247	1	Hexagon cap nut		
50	G06306007	E04783	1	Tank cap total		
51	G00006032	E02412	1	O-ring (2 Stk.)		
52	G00022013	E06701	1	Fuel valve		
53	G06580008	E06490	1	Fuel tank total with cap		
54	G07838019	E03886	1	Hexagon screw (10 Stk.)		
55	G07918001	E07269	1	Self-locking hex nut (6 Stk.)		
56	G06906002	E11525	1	Fuel hose 1405 long		
57	G00034011	E03626	2	Hose clamp		
58	G90122001	E13031	1	Tank strut		
59	G90130001	E13026	1	Shift rod		
60	G90130007	E13085	1	Switching handle		
62	G00024006	E05722	2	Spacer sleeve		
63	G90130006	E13037	2	Shift stop		
64	G07837024	E04058	6	Hexagon screw (10 Stk.)		
65	G00009175	E12497	2	Dome head screw with Torx (2 Stk.)		
66	G00009061	E06679	1	Inch screw (5 Stk.)		
67	G90130003	E13028	1	Disc		
68	G90130002	E13027	1	Switching adapter		
69	G07858020	E12227	2	Shaft seal ring		
70	G07866004	E06682	1	Curved washer (3 Stk.)		
72	G00009062	E06719	4	Inch screw (3 Stk.)		
73	G90125019	E13044	1	Belt guide		
74	G06125059	E05989	2	Belt pulley half Ø 150		
75	G00012020	E06750	8	Blind rivet (3 Stk.)		
76	G06530013	E07169	1	Belt pulley hub transmission		
77	G07890004	E05828	5	Flanged self-tapping screw (3 Stk.)		
78	G06530017	E08332	1	Belt pulley hub transmission total		
79	G07822008	E04351	1	Circlip for shaft (20 Stk.)		
82	G07906002	E06667	4	Self-locking hex nut (10 Stk.)		
335	G07834004	E07057	1	Threaded pin (3 Stk.)		
363	G06530032	G06530032	1	Transmission + seal		
367	G07887001	E04074	2	Ring nut		



AS 901 SM – Documentation spare parts – Clutches

Pos	Art-Nr.	E-Nr.	Menge	Beschreibung	Modell	Info
16	G00007041	E05975	14	Selflocking nut with serrated bearing (3		
22	G00007042	E06037	6	Selflocking nut with serrated bearing (3		
24	G00009016	E04631	2	Hexagon screw with serration (5 Stk.)		
36	G07838026	E03932	22	Hexagon screw (10 Stk.)		
40	G07880004	E03914	4	Disc (20 Stk.)		
54	G07838019	E03886	8	Hexagon screw (10 Stk.)		
92	G07830031	E07211	4	Deep groove ball bearing		
93	G07847036	E05984	4	Shim (10 Stk.)		
103	G07846001	E01912	4	Self-locking hex nut (10 Stk.)		
202	G00028019	E06539	4	DU bush		
203	G07838028	E03938	6	Hexagon screw (10 Stk.)		
204	G06534034	E07231	2	Actuating plate total		
205	G00024025	E07190	8	Sleeve		
206	G07809006	E01940	4	Disc (10 Stk.)		
207	G06534011	E07166	1	Feather mandrel		
208	G07853025	E04999	1	Spring pin (5 Stk.)		
209	G00001080	E07243	2	Pressure spring		
210	G06534009	E07187	2	Spring bearing		
211	G00027010	E04981	2	Shaft locking clip with cap (2 Stk.)		
212	G06534035	E08337	1	Feather mandrel total		
213	G90126015	E13030	1	Transmission protection cover		
214	G00026045	E11599	4	Cable holder Ø 15.5-Ø 18.6 mm		
215	G07890003	E04576	2	Flanged self-tapping screw (3 Stk.)		
216	G06534027	E07230	1	Brake plate total		
217	G06534019	E07185	2	Base plate		
218	G07809004	E01905	22	Disc (20 Stk.)		
219	G00001066	E05849	8	Pressure spring (4 Stk.)		
220	G06534033	E07963	2	Clutch basket total		
221	G06534023	E07205	2	Brake plate total		
222	G06534008	E07179	8	Fixing bolts		
223	G07827008	E04991	6	Mushroom head square neck bolt (3 Stk.)		
224	G06525060	E07182	2	Disc		
225	G07847045	E07224	4	Shim (5 Stk.)		
226	G07830028	E06855	2	Deep groove ball bearing		
227	G06534013	E07242	2	Clutch bearing		
228	G06526002	E06726	2	Connection nut		
229	G06525053	E07157	2	Chain pinion ring		
230	G06525007	E06427	2	Chain wheel 12 teeth		
231	G00010133	E12385	2	Disc		
232	G00028018	E05839	2	Friction bearing		
233	G00108023	E07206	2	Bearing washer with friction bearing		
234	G06534010	E07165	2	Clutch hub		
235	G00108032	E06310	2	Clutch flange		
236	G07822010	E06311	2	Circlip for shaft (2 Stk.)		
237	G00108018	E05841	12	Outer lamellas (6 Stk.)		
238	G00108033	E06312	10	Inner lamella (5 Stk.)		
239	G00108013	E05843	2	Clutch basket		
240	G07844004	E05845	8	Countersunk screw with inside Torx (4 St		
241	G00180031	E06313	2	Set of lamellas		
242	G06534032	E07961	2	Clutch basket complete		
243	G00108010	E05844	16	Carrier piece (8 Stk.)		
244	G00001067	E05846	6	Pressure spring (6 Stk.)		
245	G06534015	E07892	2	Clutch housing		
246	G07830015	E08351	2	Deep groove ball bearing		
247	G06534025	E07207	2	Clutch housing with ball bearing		
248	G07822001	E02116	2	Circlip for shaft (5 Stk.)		
249	G06534014	E07171	2	Pinion flange		
250	G00009038	E05720	8	Screw with Torx (3 Stk.)		

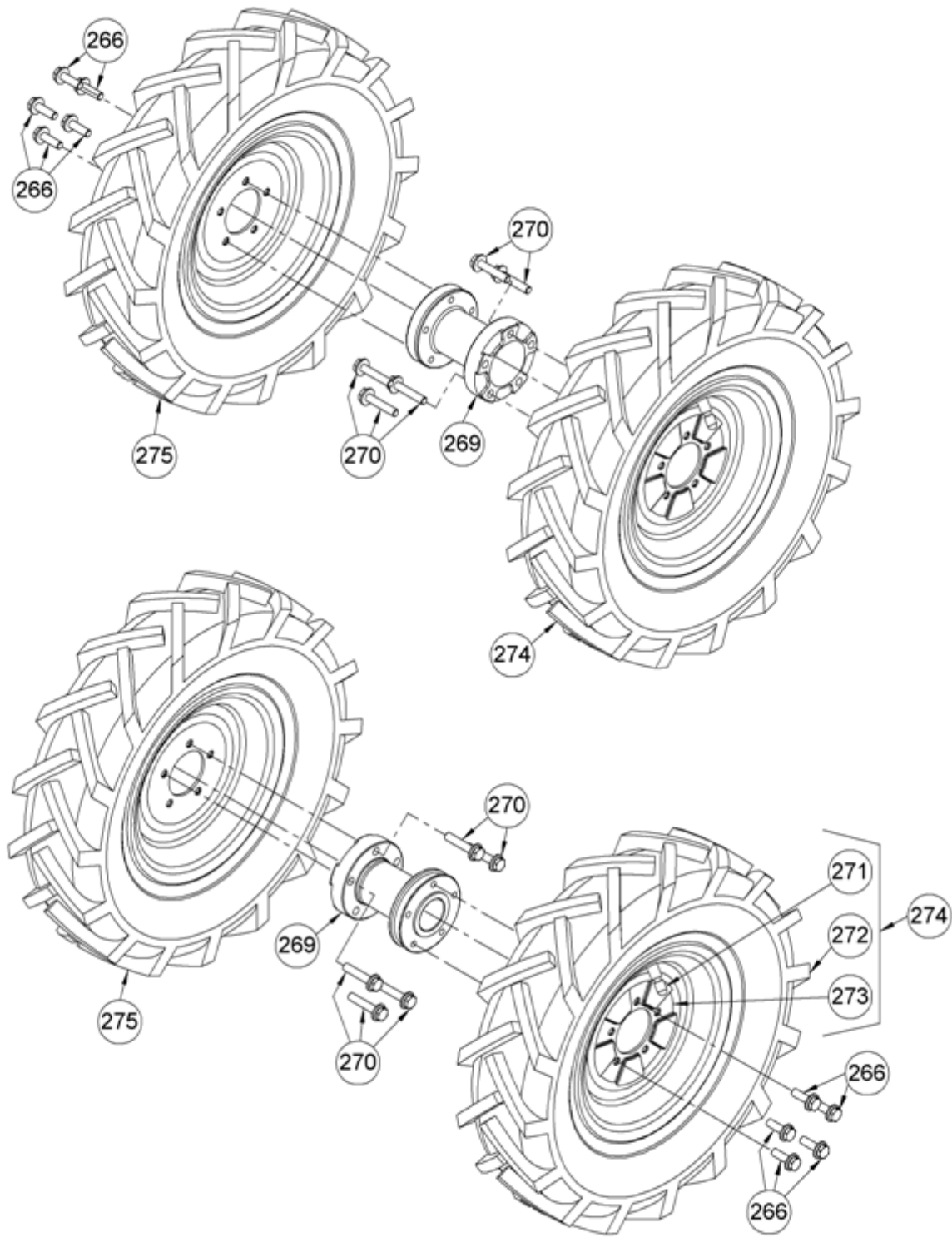
251	G06534031	E07965	1	Clutch left total		
252	G06534030	E07968	1	Clutch right total		
362	G00041013	E06078	1	LOCTITE 648 (50 ml)		





AS 901 SM – Documentation spare parts – Chain drive

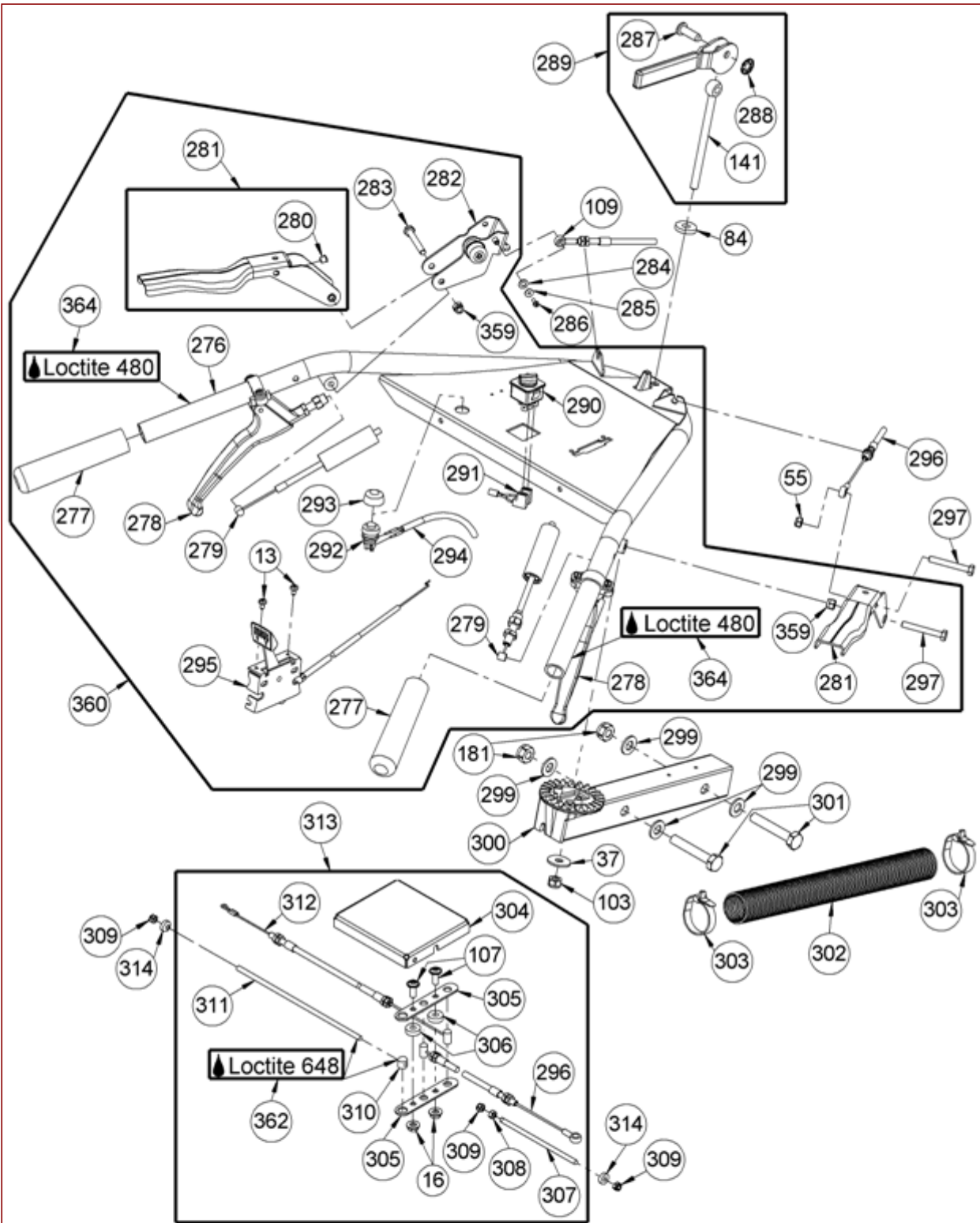
Pos	Art-Nr.	E-Nr.	Menge	Beschreibung	Modell	Info
22	G00007042	E06037	6	Selflocking nut with serrated bearing (3		
24	G00009016	E04631	14	Hexagon screw with serration (5 Stk.)		
36	G07838026	E03932	4	Hexagon screw (10 Stk.)		
37	G07880006	E03957	2	Disc (20 Stk.)		
161	G07837020	E03924	2	Hexagon screw (4 Stk.)		
228	G06526002	E06726	4	Connection nut		
231	G00010133	E12385	2	Disc		
253	G06525035	E06425	4	Chain joint		
254	G06580018	E10819	4	Chain 59 links with lock		
255	G06525006	E06426	4	Chain wheel 39 teeth		
256	G06525055	E07168	2	Chain wheel hub		
257	G07830003	E02104	4	Deep groove ball bearing		
258	G07838004	E01930	8	Hexagon screw (10 Stk.)		
259	G06525067	E08334	2	Chain wheel hub total		
260	G06525052	E07156	2	Chain tension sleeve		
261	G06525059	E07180	2	Chain tension plate		
262	G06526024	E07218	1	Chain cover right		
263	G06526025	E07219	1	Chain cover left		
264	G06526031	E08025	2	Protective sleeve		
265	G07830022	E06161	4	Deep groove ball bearing		
266	G00009085	E06761	8	Hexagon screw		
267	G07890015	E06032	2	Flanged self-tapping screw (2 Stk.)		
268	G90121002	E13042	2	Wheel hub with ball bearing		



**Antriebsräder  
AS 901 SM**

AS 901 SM – Documentation spare parts – Wheels

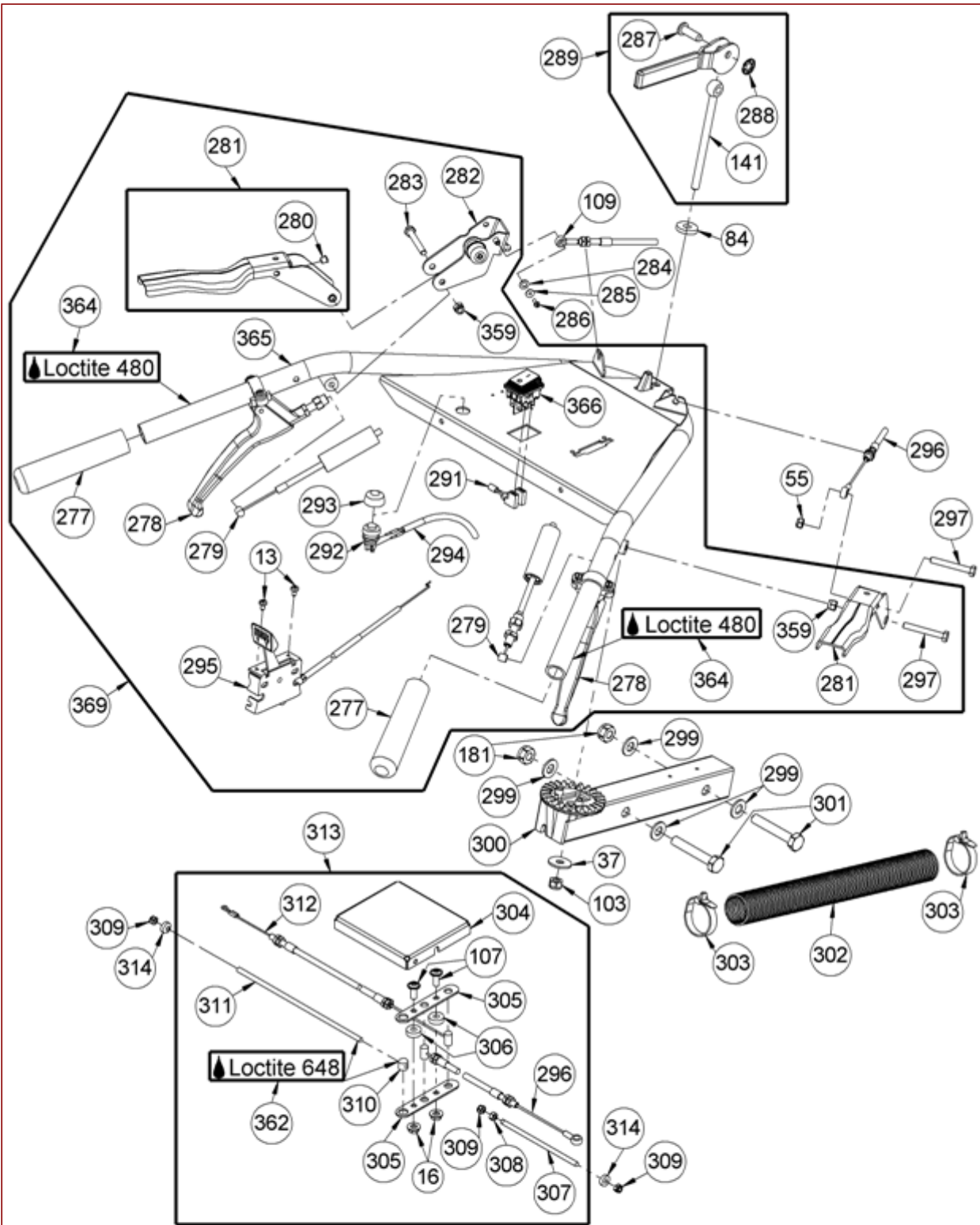
Pos	Art-Nr.	E-Nr.	Menge	Beschreibung	Modell	Info
266	G00009085	E06761	10	Hexagon screw		
269	G06721008	E07949	2	Wheel hub		
270	G00009086	E06762	10	Hexagon screw		
271	G06321027	E06327	4	Tube 400-8		
272	G06350089	E06568	4	Cover for profile wheel (4.00/4.80)		
273	G06350099	E06569	4	Rim for profile wheel (4.00/4.80)		
274	G06321026	E06196	2	Profile wheel right 4.80/4.00-8		
275	G06321022	E06159	2	Profile wheel left 4.80/4.00-8		



Lenker  
AS 901 SM

AS 901 SM – Documentation spare parts – Handlebar

Pos	Art-Nr.	E-Nr.	Menge	Beschreibung	Modell	Info
13	G07890028	E06594	2	Self-tapping screw (5 Stk.)		
16	G00007041	E05975	2	Selflocking nut with serrated bearing (3		
37	G07880006	E03957	1	Disc (20 Stk.)		
55	G07918001	E07269	3	Self-locking hex nut (6 Stk.)		
84	G07861006	E07940	1	Disc		
103	G07846001	E01912	1	Self-locking hex nut (10 Stk.)		
107	G00009159	E11673	2	Dome head screw with Torx (10 Stk.)		
109	G00020177	E13034	1	Blade clutch cable		
141	G07820004	E10120	1	Eye bolt		
181	G07846005	E01968	2	Self-locking hex nut (10 Stk.)		
276	G06522025	E08014	1	Handlebar		
277	G00008114	E08305	2	Handlebar grip (2 Stk.)		
278	G00017028	E07542	2	Actuating lever		
279	G00020115	E08016	1	Brake cable		
280	G00008086	E05973	2	Rubber buffer (2 Stk.)		
281	G06780010	E08306	2	Hand lever with rubber buffer		
282	G06522032	E08015	1	Notch lever total		
283	G07838059	E06632	1	Hexagon screw		
284	G07809003	E01181	1	Disc (20 Stk.)		
285	G07880009	E07936	1	Disc (5 Stk.)		
286	G07878017	E07937	1	Raised cross-head screw (5 Stk.)		
287	G07886001	E04476	1	Bolt with head		
288	G00027001	E04567	1	Shaft locking clip		
289	G07322010	E10119	1	Eccentric lever with eyebolt		
290	G06727001	E07939	1	Selector switch		
291	G06527001	E08345	1	Short circuit cable		
292	G00017026	E06702	1	Pushbutton		
293	G00008100	E06739	1	Round sealing cap		
294	G00043012	E06703	1	Starting aid cable		
295	G06522015	E06430	1	Accelerator lever with throttle cable		
296	G00020114	E08012	1	Drive cable top		
297	G07837068	E07643	1	Hexagon screw (2 Stk.)		
299	G07809008	E03668	4	Disc (5 Stk.)		
300	G06522001	E06729	1	Intermediate strut total		
301	G07837003	E01958	2	Hexagon screw (2 Stk.)		
302	G00026030	E07952	1	Concertina hose		
303	G00026004	E04391	2	Cable tape (2 Stk.)		
304	G90122013	E13032	1	Base sheet		
305	G90122014	E13033	2	Bowden cable plate		
306	G00010104	E07523	2	Disc		
307	G00009095	E07525	1	Threaded rod		
308	G07839007	E01950	1	Hex nut (10 Stk.)		
309	G07846002	E01932	3	Self-locking hex nut (5 Stk.)		
310	G00007050	E07524	1	Joint nut		
311	G00009096	E07526	1	Threaded rod		
312	G00020093	E07272	1	Drive cable		
313	G90122015	E13036	1	Drive cable total		
314	G00010103	E07522	2	Spherical washer		
359	G07846008	E03829	2	Self-locking hex nut (10 Stk.)		
360	G06522024	E08336	1	Handlebar total		
362	G00041013	E06078	1	LOCTITE 648 (50 ml)		
364	G00041061	G00041061	1	Loctite 480 (100Gr.)		

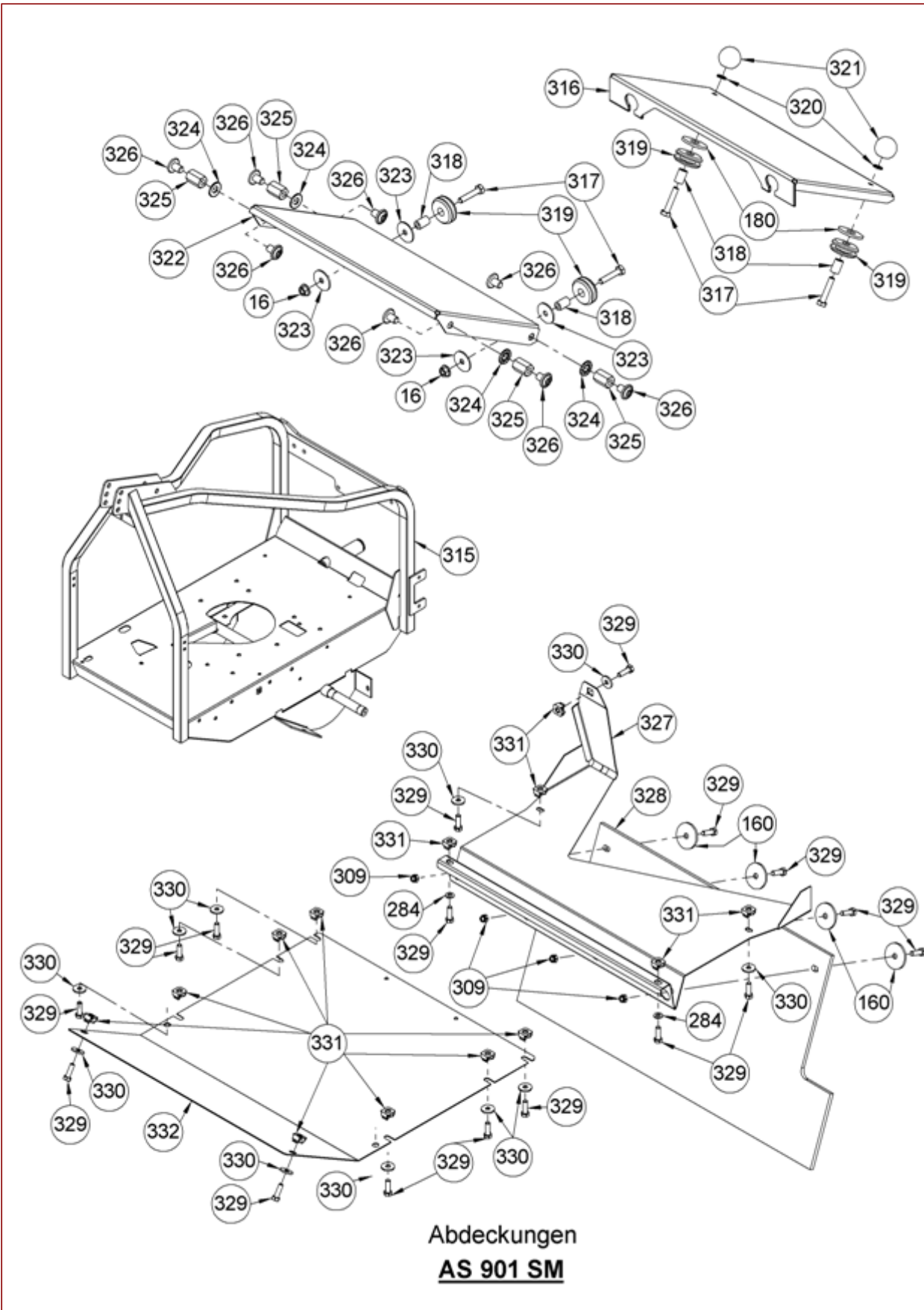


**Lenker**

AS 901 SM ab Serien Nr. 0260 16 04 0021

## AS 901 SM – Documentation spare parts – Handlebar from serial No. 026016040021

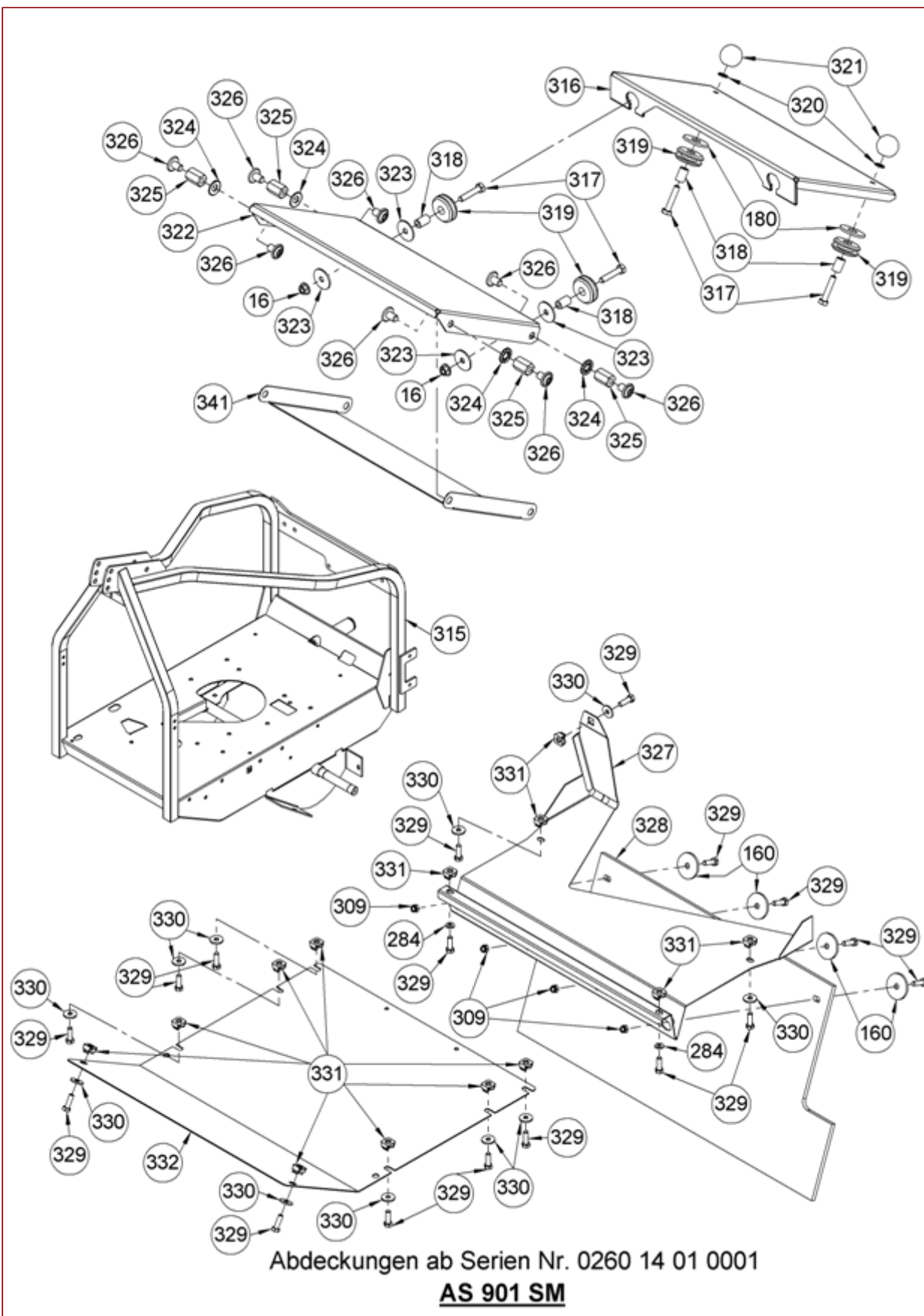
Pos	Art-Nr.	E-Nr.	Menge	Beschreibung	Modell	Info
13	G07890028	E06594	2	Self-tapping screw (5 Stk.)		
16	G00007041	E05975	2	Selflocking nut with serrated bearing (3		
37	G07880006	E03957	1	Disc (20 Stk.)		
55	G07918001	E07269	3	Self-locking hex nut (6 Stk.)		
84	G07861006	E07940	1	Disc		
103	G07846001	E01912	1	Self-locking hex nut (10 Stk.)		
107	G00009159	E11673	2	Dome head screw with Torx (10 Stk.)		
109	G00020177	E13034	1	Blade clutch cable		
141	G07820004	E10120	1	Eye bolt		
181	G07846005	E01968	2	Self-locking hex nut (10 Stk.)		
277	G00008114	E08305	2	Handlebar grip (2 Stk.)		
278	G00017028	E07542	2	Actuating lever		
279	G00020115	E08016	1	Brake cable		
280	G00008086	E05973	2	Rubber buffer (2 Stk.)		
281	G06780010	E08306	2	Hand lever with rubber buffer		
282	G06522032	E08015	1	Notch lever total		
283	G07838059	E06632	1	Hexagon screw		
284	G07809003	E01181	1	Disc (20 Stk.)		
285	G07880009	E07936	1	Disc (5 Stk.)		
286	G07878017	E07937	1	Raised cross-head screw (5 Stk.)		
287	G07886001	E04476	1	Bolt with head		
288	G00027001	E04567	1	Shaft locking clip		
289	G07322010	E10119	1	Eccentric lever with eyebolt		
291	G06527001	E08345	1	Short circuit cable		
292	G00017026	E06702	1	Pushbutton		
293	G00008100	E06739	1	Round sealing cap		
294	G00043012	E06703	1	Starting aid cable		
295	G06522015	E06430	1	Accelerator lever with throttle cable		
296	G00020114	E08012	1	Drive cable top		
297	G07837068	E07643	1	Hexagon screw (2 Stk.)		
299	G07809008	E03668	4	Disc (5 Stk.)		
300	G06522001	E06729	1	Intermediate strut total		
301	G07837003	E01958	2	Hexagon screw (2 Stk.)		
302	G00026030	E07952	1	Concertina hose		
303	G00026004	E04391	2	Cable tape (2 Stk.)		
304	G90122013	E13032	1	Base sheet		
305	G90122014	E13033	2	Bowden cable plate		
306	G00010104	E07523	2	Disc		
307	G00009095	E07525	1	Threaded rod		
308	G07839007	E01950	1	Hex nut (10 Stk.)		
309	G07846002	E01932	3	Self-locking hex nut (5 Stk.)		
310	G00007050	E07524	1	Joint nut		
311	G00009096	E07526	1	Threaded rod		
312	G00020093	E07272	1	Drive cable		
313	G90122015	E13036	1	Drive cable total		
314	G00010103	E07522	2	Spherical washer		
359	G07846008	E03829	2	Self-locking hex nut (10 Stk.)		
362	G00041013	E06078	1	LOCTITE 648 (50 ml)		
364	G00041061	G00041061	1	Loctite 480 (100Gr.)		
365	G06522034	G06522034	1	Handlebar		
366	G00047001	G00047001	1	Toggle switch		
369	G06522037	G06522037	1	Handlebar total		





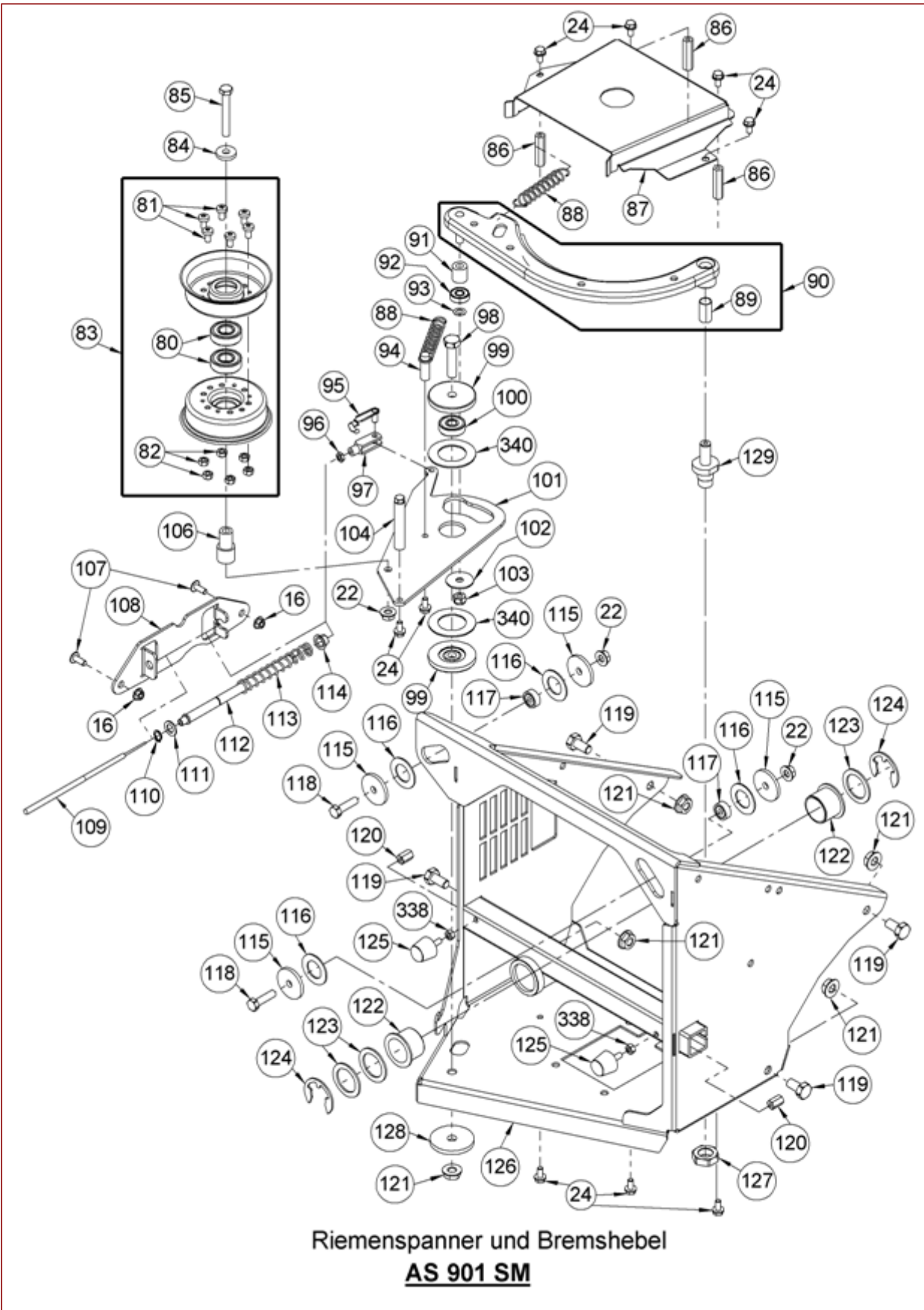
## AS 901 SM – Documentation spare parts – Covers, up to prod.no. 026013110063

Pos	Art-Nr.	E-Nr.	Menge	Beschreibung	Modell	Info
16	G00007041	E05975	2	Selflocking nut with serrated bearing (3		
160	G00010101	E07113	4	Disc (2 Stk.)		
180	G07880001	E01980	2	Disc (10 Stk.)		
284	G07809003	E01181	2	Disc (20 Stk.)		
309	G07846002	E01932	4	Self-locking hex nut (5 Stk.)		
315	G90120008	E12741	1	Engine mount total		
316	G90126010	E13005	1	Cover front		
317	G07838027	E03933	4	Hexagon screw (10 Stk.)		
318	G00024022	E07123	4	Stop sleeve		
319	G00008145	E07287	4	Rubber bearing		
320	G07862010	E03789	2	Tooth lock washer (20 Stk.)		
321	G07917002	E07927	2	Spherical button		
322	G90126004	E13004	1	Exhaust pipe guard		
323	G00010084	E03710	4	Disc (10 Stk.)		
324	G00042012	E07132	4	Detent edge disc (4 Stk.)		
325	G00007061	E10018	4	Connection nut		
326	G00009174	E12496	8	Dome head screw with Torx (10 Stk.)		
327	G90126005	E13035	1	Cover		
328	G00008099	E06588	1	Self-aligning rubber		
329	G07838003	E01927	17	Hexagon screw (10 Stk.)		
330	G07880007	E03960	11	Disc (20 Stk.)		
331	G00007083	E13024	13	Box nut		
332	G06520031	E13086	1	Base plate rear		



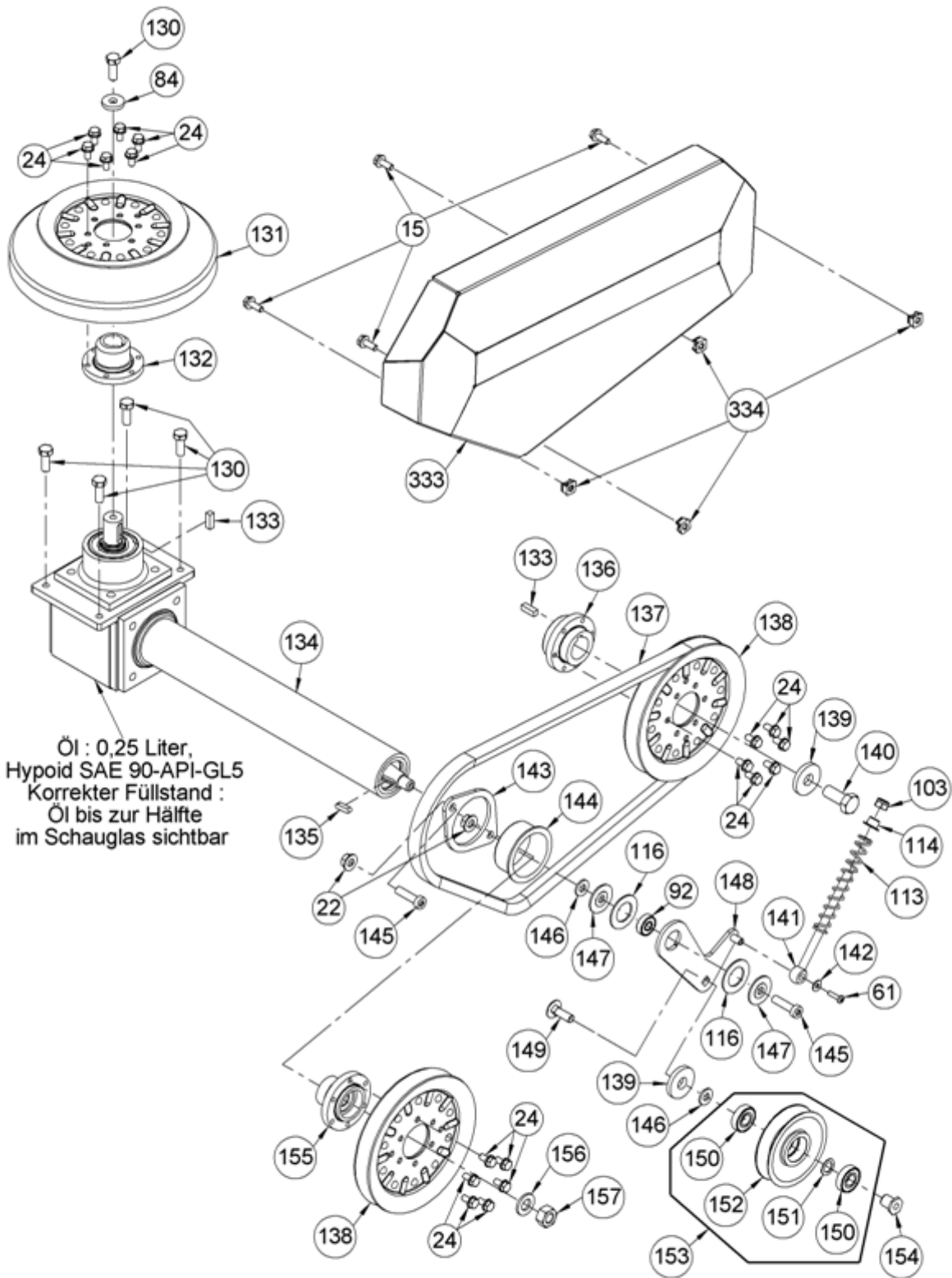
## AS 901 SM – Documentation spare parts – Covers, from prod.no. 026014010001

Pos	Art-Nr.	E-Nr.	Menge	Beschreibung	Modell	Info
16	G00007041	E05975	2	Selflocking nut with serrated bearing (3		
160	G00010101	E07113	4	Disc (2 Stk.)		
180	G07880001	E01980	2	Disc (10 Stk.)		
284	G07809003	E01181	2	Disc (20 Stk.)		
309	G07846002	E01932	4	Self-locking hex nut (5 Stk.)		
315	G90120008	E12741	1	Engine mount total		
316	G90126010	E13005	1	Cover front		
317	G07838027	E03933	4	Hexagon screw (10 Stk.)		
318	G00024022	E07123	4	Stop sleeve		
319	G00008145	E07287	4	Rubber bearing		
320	G07862010	E03789	2	Tooth lock washer (20 Stk.)		
321	G07917002	E07927	2	Spherical button		
322	G90126004	E13004	1	Exhaust pipe guard		
323	G00010084	E03710	4	Disc (10 Stk.)		
324	G00042012	E07132	4	Detent edge disc (4 Stk.)		
325	G00007061	E10018	4	Connection nut		
326	G00009174	E12496	8	Dome head screw with Torx (10 Stk.)		
327	G90126005	E13035	1	Cover		
328	G00008099	E06588	1	Self-aligning rubber		
329	G07838003	E01927	17	Hexagon screw (10 Stk.)		
330	G07880007	E03960	11	Disc (20 Stk.)		
331	G00007083	E13024	13	Box nut		
332	G06520031	E13086	1	Base plate rear		
341	G90126019	E13121	1	Shielding plate		



AS 901 SM – Documentation spare parts – Belt tensioner and brake levers

Pos	Art-Nr.	E-Nr.	Menge	Beschreibung	Modell	Info
16	G00007041	E05975	2	Selflocking nut with serrated bearing (3		
22	G00007042	E06037	3	Selflocking nut with serrated bearing (3		
24	G00009016	E04631	9	Hexagon screw with serration (5 Stk.)		
80	G07830027	E06752	2	Deep groove ball bearing		
81	G00009083	E06753	6	Rounded head screw with inside Torx (2 S		
82	G07906002	E06667	6	Self-locking hex nut (10 Stk.)		
83	G06925038	E11765	1	Tension pulley with ball bearing		
84	G07861006	E07940	1	Disc		
85	G07837005	E03142	1	Hexagon screw (4 Stk.)		
86	G00007052	E07876	3	Connection nut (2 Stk.)		
87	G90126006	E12988	1	Belt covering		
88	G00002056	E07867	2	Draw spring		
89	G00028022	E06364	1	DU bush		
90	G06734001	E07699	1	Brake lever with lining and DU bush		
91	G00024036	E08268	1	Sleeve		
92	G07830031	E07211	1	Deep groove ball bearing		
93	G07847036	E05984	1	Shim (10 Stk.)		
94	G04620002	E06936	1	Mounting bolt		
95	G00039003	E08527	1	Folding spring bolt		
96	G07818004	E03917	1	Hex nut (10 Stk.)		
97	G07925001	E08526	1	Fork head		
98	G07837043	E05433	1	Hexagon screw (3 Stk.)		
99	G90120019	E13006	2	Bearing washer		
100	G07830025	E06524	1	Deep groove ball bearing		
101	G90125009	E12987	1	Belt tensioner		
102	G00010132	E12383	1	Cover disc		
103	G07846001	E01912	1	Self-locking hex nut (10 Stk.)		
104	G06825016	E08395	1	Belt guide		
106	G06925036	E11763	1	Sleeve		
107	G00009159	E11673	2	Dome head screw with Torx (10 Stk.)		
108	G06920080	E11773	1	Spring plate		
109	G00020177	E13034	1	Blade clutch cable		
110	G07822002	E02650	1	Circlip for shaft (5 Stk.)		
111	G07816006	E04214	1	Disc (20 Stk.)		
112	G06820010	E08388	1	Spring tube		
113	G00001083	E08389	1	Pressure spring		
114	G00028042	E08662	1	Collar bush		
115	G00010136	E13010	4	Disc		
116	G00010137	E13008	4	Thrust washer		
117	G00007082	E13007	2	Special nut M8		
118	G07838031	E03951	2	Hexagon screw (5 Stk.)		
119	G07838025	E03930	4	Hexagon screw (5 Stk.)		
120	G00007077	E11785	2	Connection nut		
121	G00007051	E07668	5	Locknut (2 Stk.)		
122	G00028023	E06496	2	Plastic bush		
123	G07847058	E13045	3	Shim		
124	G07864011	E10436	2	Lock washer (10 Stk.)		
125	G00008061	E04597	2	Stop buffer		
126	G90120012	E13002	1	Bearing total		
127	G07818008	E07875	1	Hex nut		
128	G00010090	E06652	1	Disc (2 Stk.)		
129	G06834001	E08384	1	Brake lever bearing		
338	G07839014	E03915	2	Hex nut (20 Stk.)		
340	G00010138	E13009	2	Thrust washer		



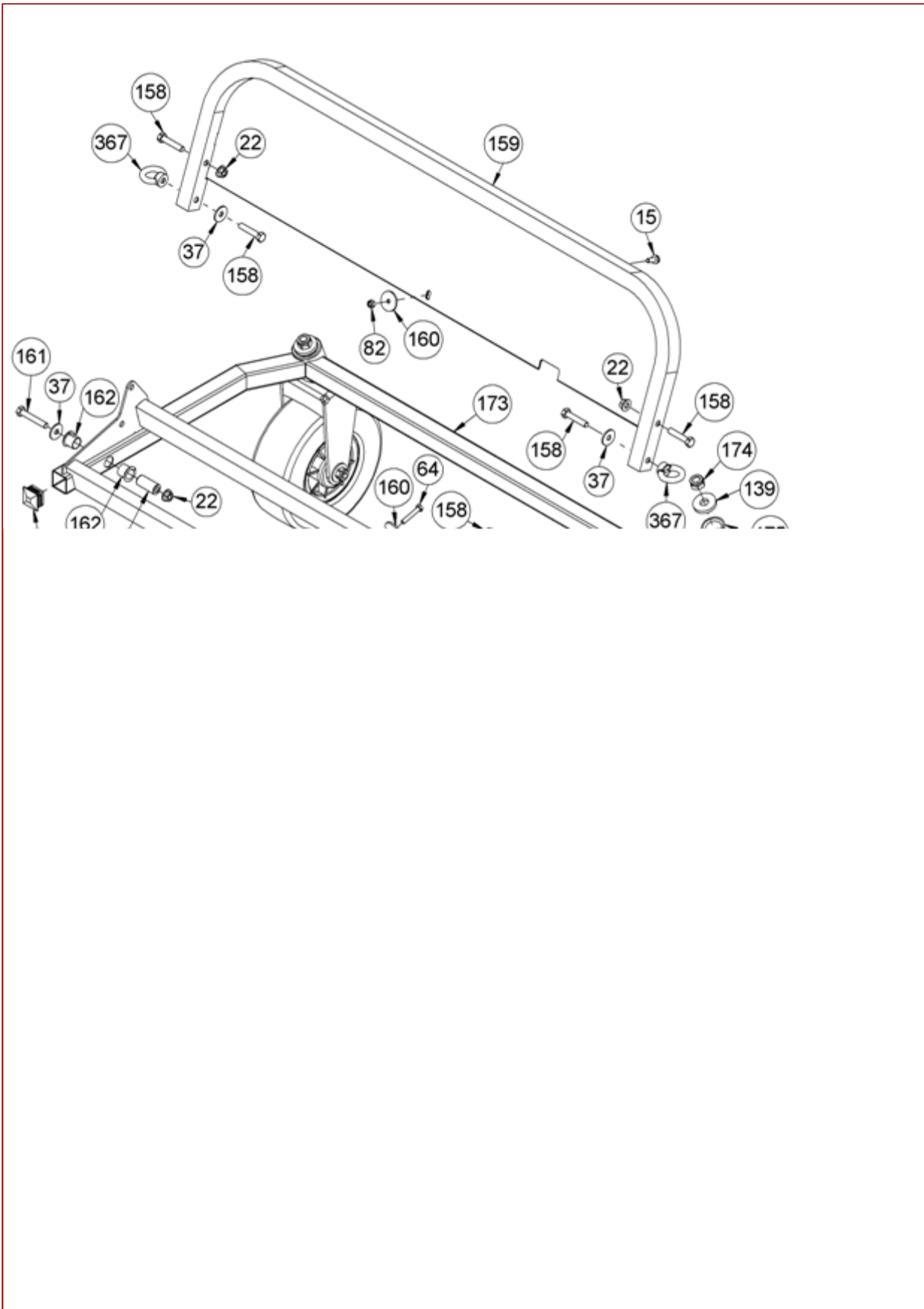
Öl : 0,25 Liter,  
Hypoid SAE 90-API-GL5  
Korrektter Füllstand :  
Öl bis zur Hälfte  
im Schauglas sichtbar

**Winkeltrieb  
AS 901 SM**

AS 901 SM – Documentation spare parts – Angle drive

Pos	Art-Nr.	E-Nr.	Menge	Beschreibung	Modell	Info
15	G00009094	E07247	4	Locking screw (2 Stk.)		
22	G00007042	E06037	2	Selflocking nut with serrated bearing (3		
24	G00009016	E04631	18	Hexagon screw with serration (5 Stk.)		
61	G07878011	E05900	1	Raised cross-head screw (5 Stk.)		
84	G07861006	E07940	1	Disc		
92	G07830031	E07211	1	Deep groove ball bearing		
103	G07846001	E01912	1	Self-locking hex nut (10 Stk.)		
113	G00001083	E08389	1	Pressure spring		
114	G00028042	E08662	1	Collar bush		
116	G00010137	E13008	2	Thrust washer		
130	G07838047	E05320	5	Hexagon screw (10 Stk.)		
131	G90125006	E12738	1	Brake drum		
132	G90125003	E12737	1	Belt pulley hub		
133	G07865019	E07723	2	Feather key (4 Stk.)		
134	G90130005	E12767	1	Angle transmission		
135	G07865028	E11378	1	Feather key (10 Stk.)		
136	G90125020	E13078	1	Belt pulley hub		
137	G07857051	E12781	1	V-belt		
138	G06725045	E08058	1	Belt pulley dw 145		
139	G07861004	E07213	2	Disc		
140	G07838057	E08793	1	Hexagon screw		
141	G07820004	E10120	1	Eye bolt		
142	G07880005	E03948	1	Disc (20 Stk.)		
143	G90120030	E13020	1	Bearing ring		
144	G00028066	E13022	1	Friction bearing with collar		
145	G00009082	E06651	2	Inside Torx screw (2 Stk.)		
146	G07926001	E08403	2	Disc (4 Stk.)		
147	G00010130	E11606	2	Special disc		
148	G90125010	E13017	1	Belt tensioner		
149	G07827009	E05869	1	Mushroom head square neck bolt (3 Stk.)		
150	G07830035	E07934	2	Deep groove ball bearing		
151	G07847010	E03113	1	Shim (10 Stk.)		
152	G06725011	E07265	1	Tension pulley		
153	G06725043	E07942	1	Tension pulley with ball bearing		
154	G06725027	E07712	1	Sleeve		
155	G90125001	E12735	1	Belt pulley hub		
156	G07809011	E03919	1	Disc (10 Stk.)		
157	G07839015	E03921	1	Hex nut (4 Stk.)		
333	G90126011	E13021	1	Side cover		
334	G00007055	E08289	4	Box nut (5 Stk.)		

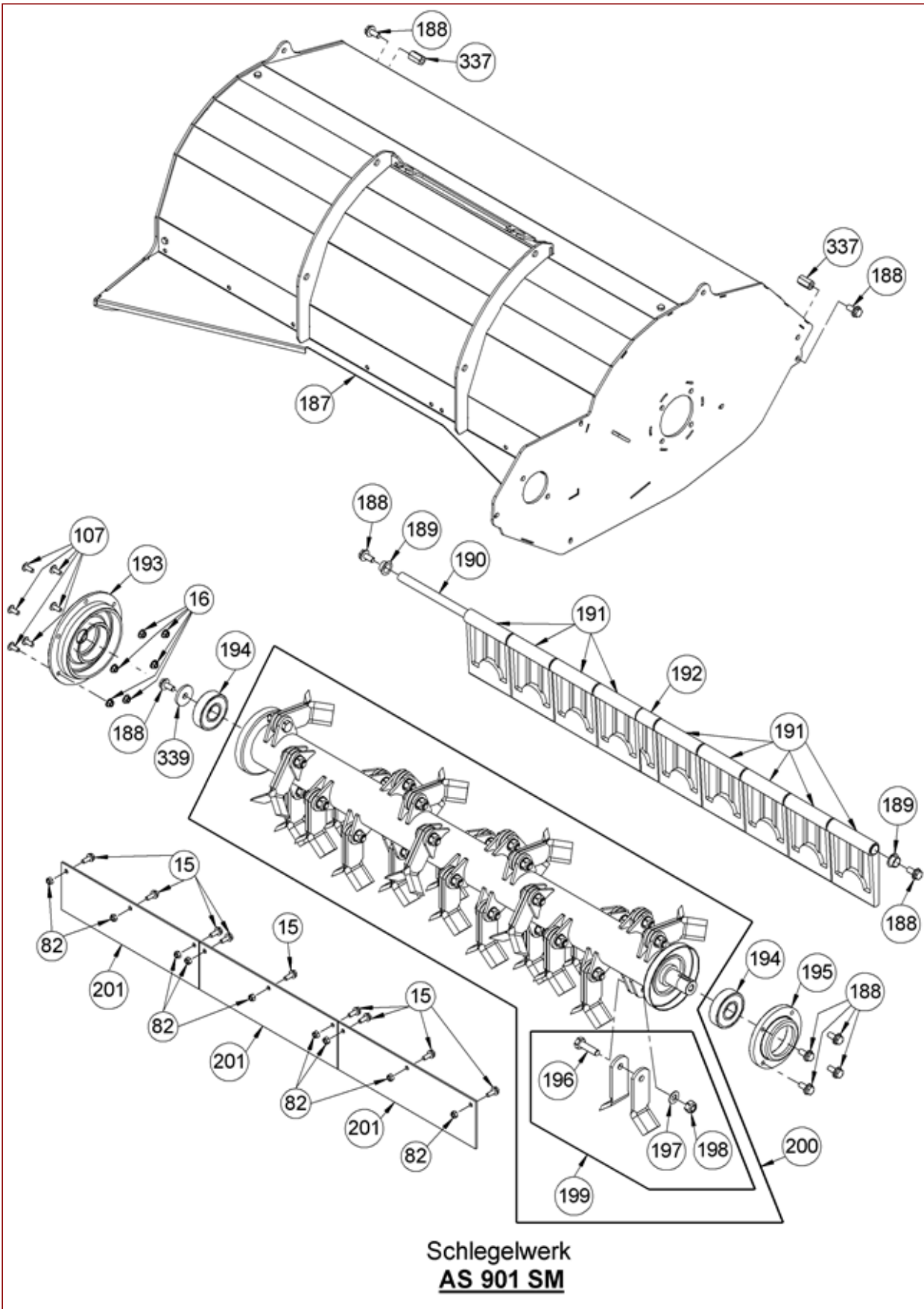
AS 901 SM – Documentation spare parts – Front wheel arbor





AS 901 SM – Documentation spare parts – Front wheel arbor

Pos	Art-Nr.	E-Nr.	Menge	Beschreibung	Modell	Info
15	G00009094	E07247	1	Locking screw (2 Stk.)		
22	G00007042	E06037	10	Selflocking nut with serrated bearing (3		
37	G07880006	E03957	5	Disc (20 Stk.)		
64	G07837024	E04058	1	Hexagon screw (10 Stk.)		
65	G00009175	E12497	3	Dome head screw with Torx (2 Stk.)		
82	G07906002	E06667	2	Self-locking hex nut (10 Stk.)		
103	G07846001	E01912	1	Self-locking hex nut (10 Stk.)		
121	G00007051	E07668	1	Locknut (2 Stk.)		
139	G07861004	E07213	6	Disc		
158	G07837016	E03901	5	Hexagon screw (5 Stk.)		
159	G90126007	E12995	1	Protective wall		
160	G00010101	E07113	3	Disc (2 Stk.)		
161	G07837020	E03924	4	Hexagon screw (4 Stk.)		
162	G00028025	E06504	4	DU flanged bush		
163	G06922013	E11617	2	Lift bolts		
164	G90126014	E13018	1	Protection wall angle		
165	G00029022	E10598	2	Sight plug (2 Stk.)		
166	G00007076	E11707	2	Connection nut (2 Stk.)		
167	G00001088	E10502	1	Pressure spring		
168	G90122009	E12780	1	Adjustment rod		
169	G07890028	E06594	1	Self-tapping screw (5 Stk.)		
170	G00008143	E11628	1	Ball handle		
171	G90122010	E13001	1	Index bar		
172	G07910003	E11768	1	Hexagon socket head cap screw (5 Stk.)		
173	G90122002	E12779	1	Wheel strut		
174	G07846006	E01972	2	Self-locking hex nut (2 Stk.)		
175	G00028030	E07204	4	DU flanged bush		
176	G06522323	E07173	2	Wheel fork bolt		
177	G90122016	E13079	2	Wheel fork		
178	G07837065	E07226	2	Hexagon screw		
179	G07837053	E06730	2	Hexagon screw (2 Stk.)		
180	G07880001	E01980	4	Disc (10 Stk.)		
181	G07846005	E01968	2	Self-locking hex nut (10 Stk.)		
182	G07830019	E04737	4	Deep groove ball bearing		
183	G90121007	E13080	2	Wheel		
184	G07809015	E11515	4	Disc (5 Stk.)		
185	G90121008	E13081	4	Covering cap		
186	G90121009	E13084	4	Sleeve		
367	G07887001	E04074	2	Ring nut		



AS 901 SM – Documentation spare parts – Flails mechanism

Pos	Art-Nr.	E-Nr.	Menge	Beschreibung	Modell	Info
15	G00009094	E07247	9	Locking screw (2 Stk.)		
16	G00007041	E05975	6	Selflocking nut with serrated bearing (3		
82	G07906002	E06667	9	Self-locking hex nut (10 Stk.)		
107	G00009159	E11673	6	Dome head screw with Torx (10 Stk.)		
187	G90120020	E13015	1	Hood AS 901 SM		
188	G00009146	E10417	9	Locking screw (4 Stk.)		
189	G00028056	E11670	2	DU flanged bush (2 Stk.)		
190	G90126013	E13019	1	Rod for shuttle valve		
191	G05851051	E12571	9	Shuttle valve		
192	G90126001	E12761	1	Half shuttle valve		
193	G90120031	E12764	1	Deckel orange		
194	G07830052	E12740	1	Ball bearing		
195	G90120011	E12765	1	Flange for flail blade shaft		
196	G05850220	E11343	26	Hexagon screw		
197	G05850221	E11344	26	Waved washer (20 Stk.)		
198	G05850222	E11345	26	Locknut (20 Stk.)		
199	G90150001	E12782	26	Flail blade with mounting part		
200	G90123001	E12766	1	Shaft with 26 flail set		
201	G90126012	E12763	3	Ejector rubber		
337	G07908002	E12692	2	Hex nut (10 Stk.)		
339	G00010119	E08893	1	Disc		



Pos.-Nr.	Artikelnummer	Benennung
1	G90180002	Aufkleber - Set AS 701 und AS 901

AS 901 SM – Documentation spare parts – Instruction plate - set

<b>Pos</b>	<b>Art-Nr.</b>	<b>E-Nr.</b>	<b>Menge</b>	<b>Beschreibung</b>	<b>Modell</b>	<b>Info</b>
1	G90180002	G90180002	1	Instruction plate-set AS701+AS901		