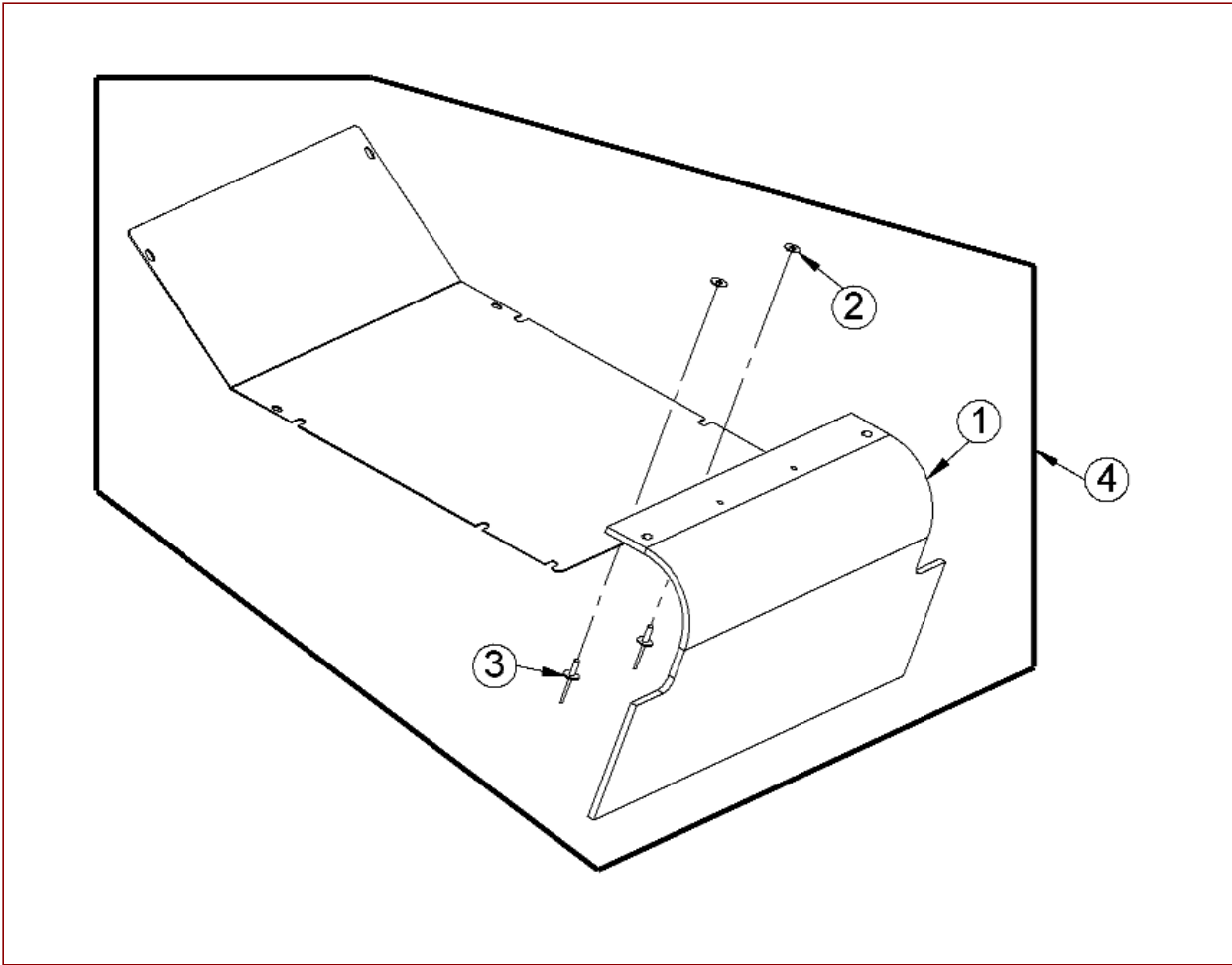


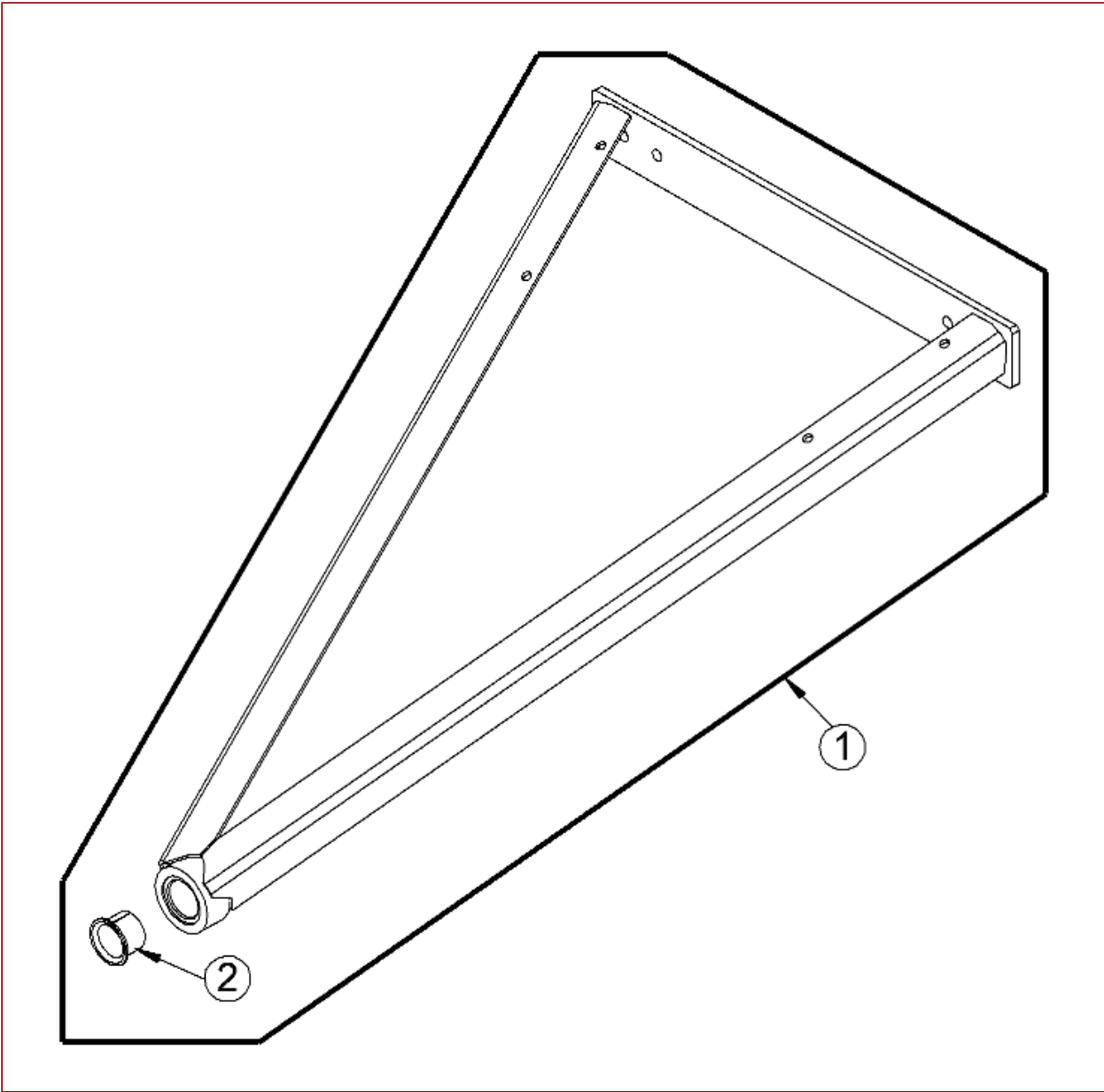
AS 84 Mulchmeister 4T B&S and AS 84/3 LB – Documentation spare parts – Final assembly

| Pos | Art-Nr. | E-Nr. | Menge | Beschreibung | Modell | Info |
|-----|---|-------------------|-------|--|--------|------|
| 2 | G06520347 | E08204 | 1 | Mowing unit | | |
| 4 | G00020116 | E08017 | 1 | Blade drive cable | | |
| 7 | G06520041 | E07236 | 1 | Base plate rear total | | |
| 8 | G07838003 | E01927 | 12 | Hexagon screw (10 Stk.) | | |
| 9 | G07880007 | E03960 | 6 | Disc (20 Stk.) | | |
| 10 | G00024018 | E06638 | 1 | Sleeve with collar | | |
| 11 | G06525346 | E07238 | 1 | Replaced by E06504 | | |
| |  G06580006 | E06501 | 1 | Return roller total with bush | | |
| 12 | G00009069 | E06613 | 1 | Raised-head shouldered screw (2 Stk.) | | |
| 13 | G06526312 | | 1 | | | |
| 14 | G07890025 | E06093 | 3 | Flanged self-tapping screw (2 Stk.) | | |
| 15 | G00009016 | E04631 | 12 | Hexagon screw with serration (5 Stk.) | | |
| 16 | G06520340 | E07203 | 1 | Mounting strut total | | |
| 17 | G07838028 | E03938 | 4 | Hexagon screw (10 Stk.) | | |
| 18 | G07846001 | E01912 | 4 | Self-locking hex nut (10 Stk.) | | |
| 19 | G00024027 | E07196 | 1 | Self-aligning bearing sleeve | | |
| 20 | G00008107 | E07195 | 2 | Rubber ring | | |
| 21 | G00010090 | E06652 | 1 | Disc (2 Stk.) | | |
| 22 | G07837011 | E04186 | 1 | Hexagon screw (3 Stk.) | | |
| 23 | G07846005 | E01968 | 1 | Self-locking hex nut (10 Stk.) | | |
| 24 | G00509022 | E07227 | 1 | Silencer total | | |
| 25 | G00009094 | E07247 | 2 | Locking screw (2 Stk.) | | |
| 26 | G00007041 | E05975 | 2 | Selflocking nut with serrated bearing (3 | | |
| 27 | G00580001 | E06741 | 1 | Clip total (5 Stk.) | | |
| 28 | G00509019 | E07215 | 1 | Exhaust pipe guard | | |
| 29 | G07847058 | E13045 | 3 | Shim | | |
| 30 | G07864011 | E10436 | 2 | Lock washer (10 Stk.) | | |
| 31 | G00007083 | E13024 | 12 | Box nut | | |



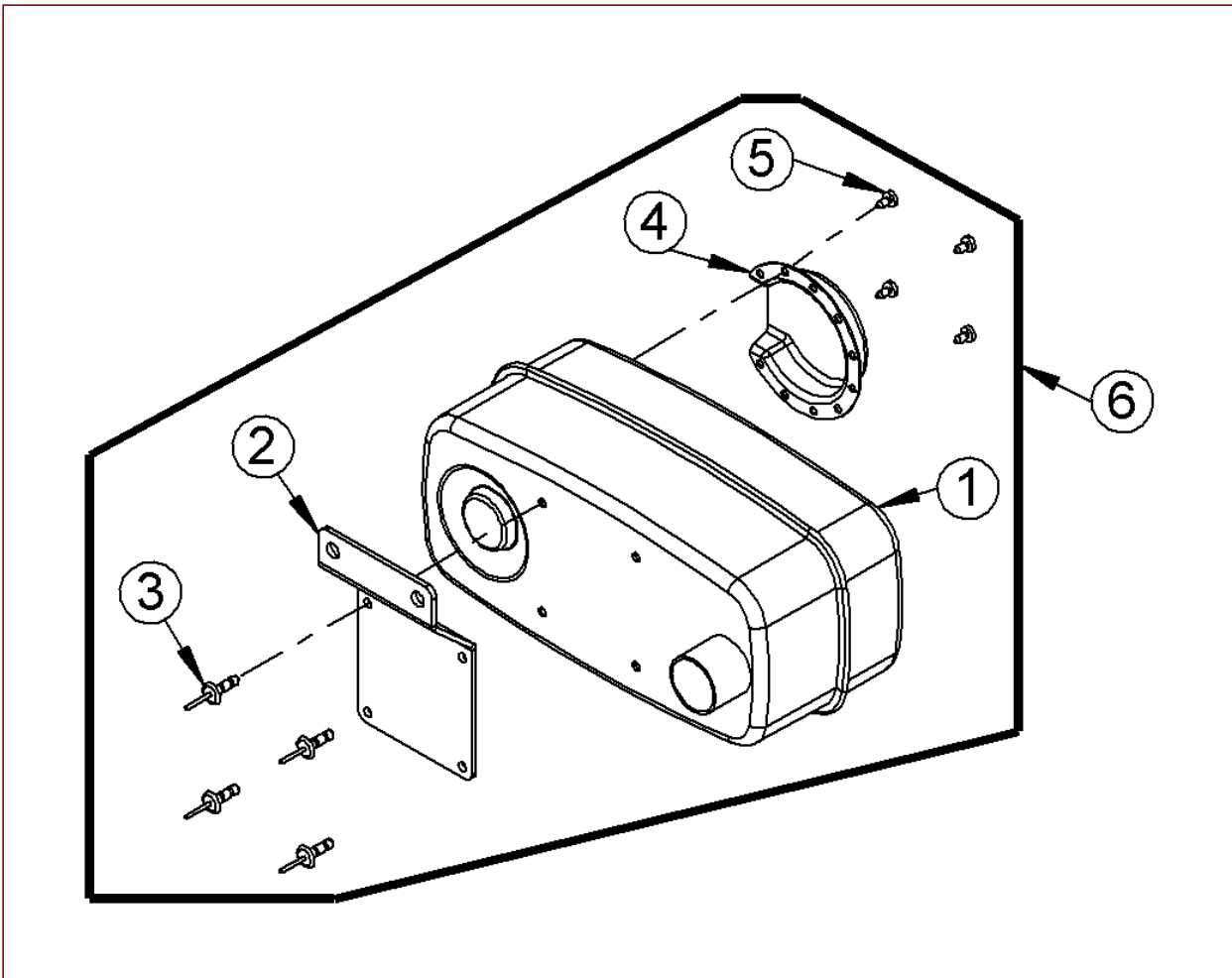
AS 84/2 LB – ET documentation – Base plate complete

| Pos | Art-Nr. | E-Nr. | Menge | Beschreibung | Modell | Info |
|------------|----------------|--------------|--------------|-----------------------|---------------|-------------|
| 1 | G00008099 | E06588 | 1 | Self-aligning rubber | | |
| 2 | G07880005 | E03948 | 2 | Disc (20 Stk.) | | |
| 3 | G00012021 | E06747 | 2 | Blind rivet | | |
| 4 | G06520041 | E07236 | 1 | Base plate rear total | | |



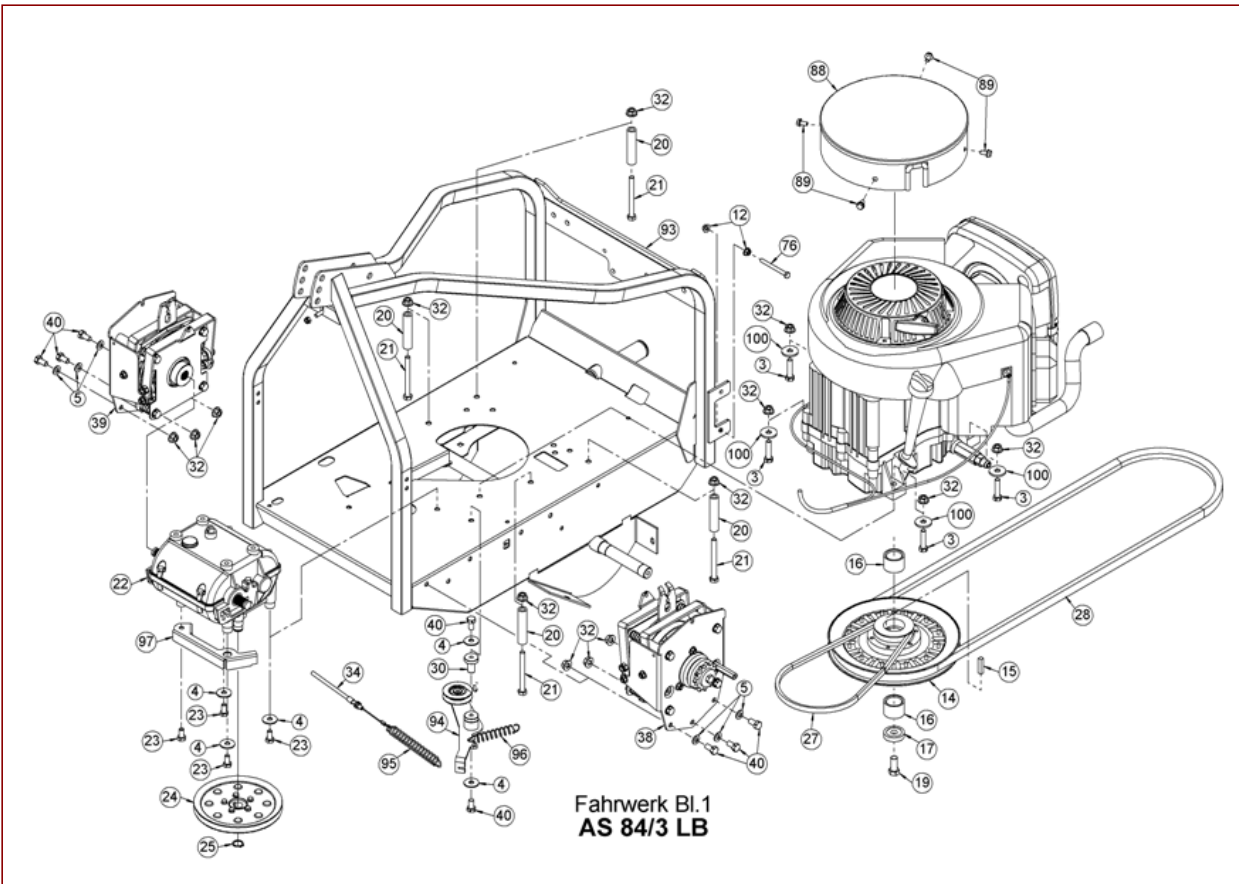
AS 84/2 LB – ET documentation – Fixing brace complete

| Pos | Art-Nr. | E-Nr. | Menge | Beschreibung | Modell | Info |
|------------|----------------|--------------|--------------|----------------------|---------------|-------------|
| 1 | G06520340 | E07203 | 1 | Mounting strut total | | |
| 2 | G00028030 | E07204 | 1 | DU flanged bush | | |



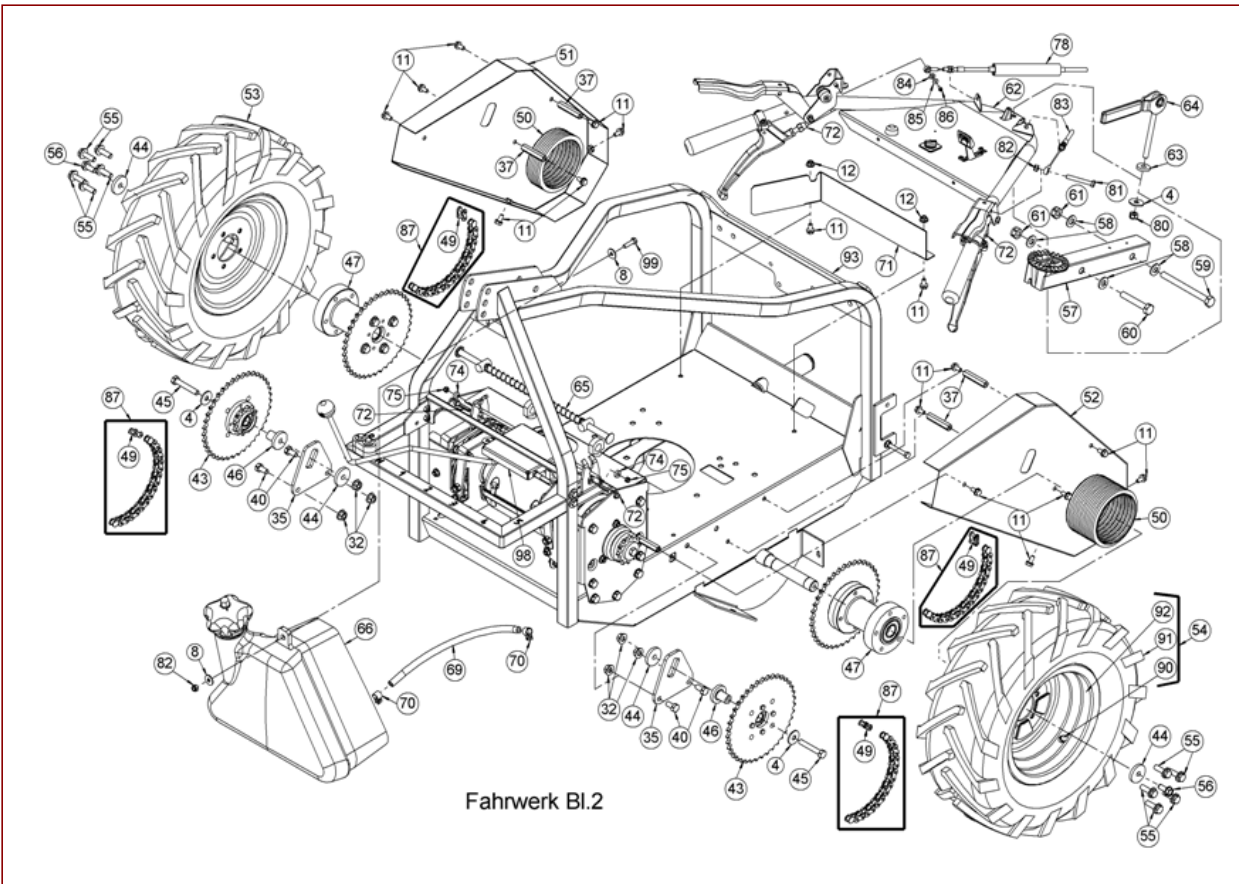
AS 84/2 LB – ET documentation – Silencer complete

| Pos | Art-Nr. | E-Nr. | Menge | Beschreibung | Modell | Info |
|------------|----------------|--------------|--------------|-----------------------------|---------------|-------------|
| 1 | G00509009 | E06822 | 1 | Silencer | | |
| 2 | G00509020 | E07244 | 1 | Exhaust plate | | |
| 3 | G00012022 | E06755 | 4 | Blind rivet (2 Stk.) | | |
| 4 | G00509018 | E07212 | 1 | Deflector | | |
| 5 | G07890028 | E06594 | 4 | Self-tapping screw (5 Stk.) | | |
| 6 | G00509022 | E07227 | 1 | Silencer total | | |



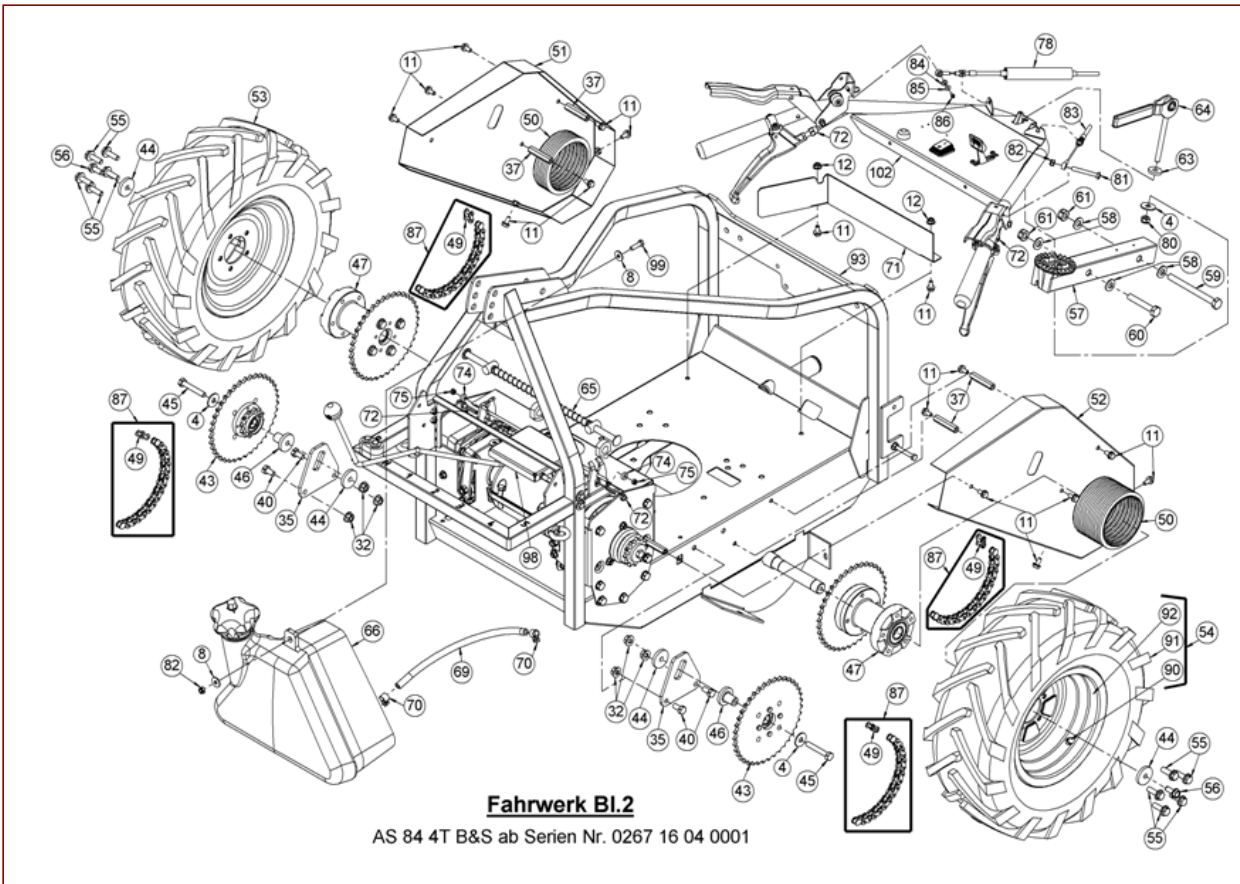
AS 84 Mulchmeister 4T B&S and AS 84/3 LB – Documentation spare parts – Chassis Fig.1

| Pos | Art-Nr. | E-Nr. | Menge | Beschreibung | Modell | Info |
|-----|----------------------|-------------------|-------|--|--------|------|
| 3 | G07838044 | E05609 | 4 | Hexagon screw (5 Stk.) | | |
| 4 | G07880006 | E03957 | 5 | Disc (20 Stk.) | | |
| 5 | G07809004 | E01905 | 6 | Disc (20 Stk.) | | |
| 12 | G00007041 | E05975 | 2 | Selflocking nut with serrated bearing (3 | | |
| 14 | G00525012 | E08331 | 1 | Belt pulley engine total | | |
| 15 | G07865010 | E06713 | 1 | Feather key | | |
| 16 | G00024024 | E07170 | 2 | Spacer sleeve | | |
| 17 | G00010106 | E07879 | 1 | Drive pulley | | |
| 19 | G00009066 | E06716 | 1 | Inch screw (2 Stk.) | | |
| 20 | G00024026 | E07191 | 4 | Belt support | | |
| 21 | G07837047 | E05681 | 4 | Hexagon screw (2 Stk.) | | |
| 22 | G06530024 | E08044 | 1 | Replaced by G06530032 | | |
| 22 | G06530032 | G06530032 | 1 | Transmission + seal | | |
| 23 | G00009062 | E06719 | 4 | Inch screw (3 Stk.) | | |
| 24 | G06530017 | E08332 | 1 | Belt pulley hub transmission total | | |
| 25 | G07822008 | E04351 | 1 | Circlip for shaft (20 Stk.) | | |
| 27 | G04325080 | E04829 | 1 | V-belt | | |
| 28 | G07857014 | E06434 | 1 | High performance V-belt | | |
| 30 | G06525054 | E07158 | 1 | Tension lever bearing | | |
| 32 | G00007042 | E06037 | 14 | Selflocking nut with serrated bearing (3 | | |
| 34 | G00020093 | E07272 | 1 | Drive cable | | |
| 38 | G06534030 | E07968 | 1 | Clutch right total | | |
| 39 | G06534031 | E07965 | 1 | Clutch left total | | |
| 40 | G07838026 | E03932 | 8 | Hexagon screw (10 Stk.) | | |
| 76 | G07837025 | E04227 | 1 | Hexagon screw | | |
| 88 | G06526034 | E11744 | 1 | Ventilation grid | | |
| 89 | G00009016 | E04631 | 4 | Hexagon screw with serration (5 Stk.) | | |
| 93 | G90120008 | E12741 | 1 | Engine mount total | | |
| 94 | G90125013 | E13023 | 1 | Belt tensioner total | | |
| 95 | G00002067 | E10881 | 1 | Draw spring | | |
| 96 | G00002056 | E07867 | 1 | Draw spring | | |
| 97 | G90125019 | E13044 | 1 | Belt guide | | |
| 100 | G07810004 | E06262 | 4 | Disc (5 Stk.) | | |



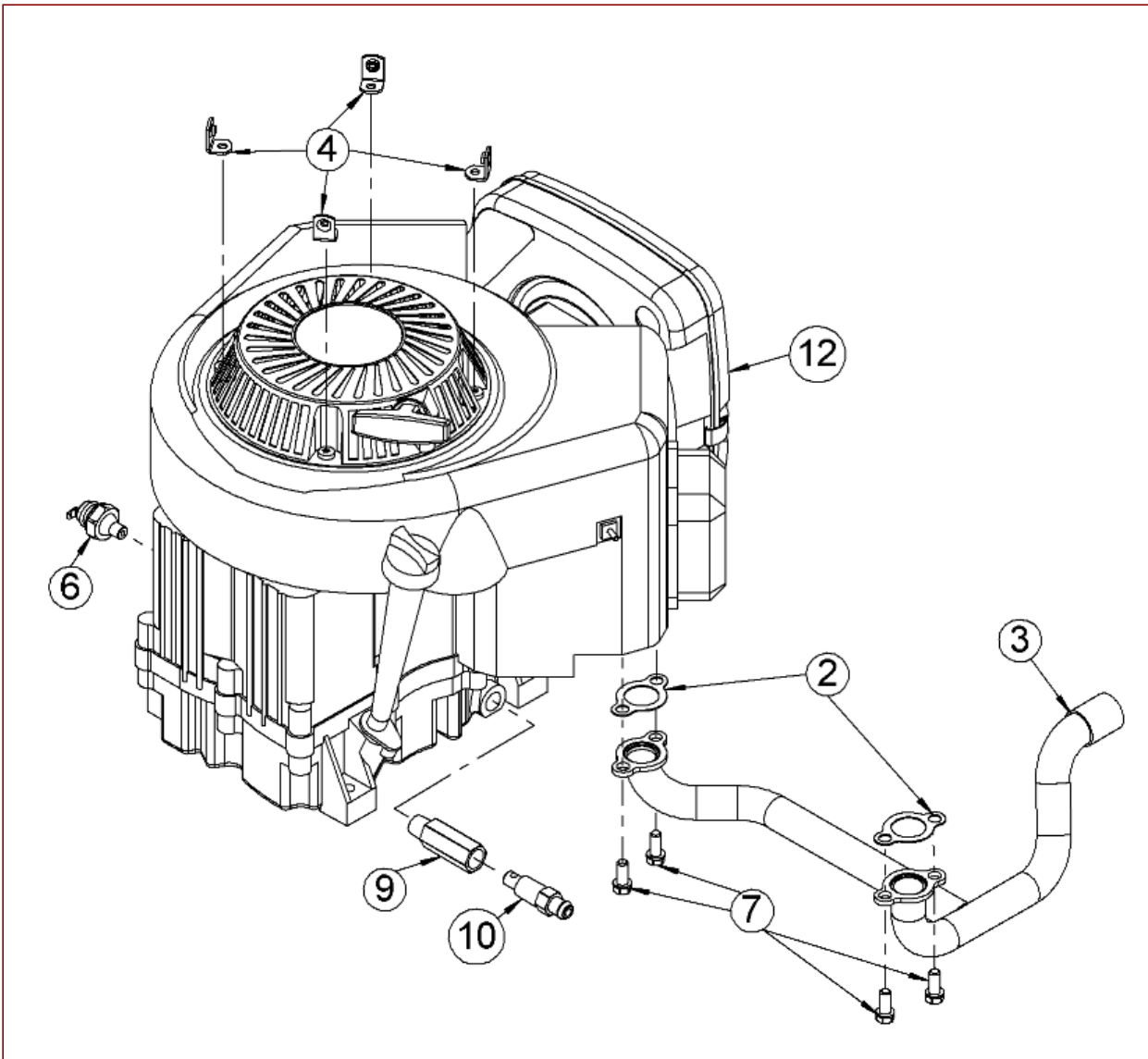
AS 84 Mulchmeister 4T B&S and AS 84/3 LB – Documentation spare parts – Chassis Fig. 2

| Pos | Art-Nr. | E-Nr. | Menge | Beschreibung | Modell | Info |
|-----|----------------------|-------------------|-------|--|--------|------|
| 4 | G07880006 | E03957 | 3 | Disc (20 Stk.) | | |
| 8 | G07880004 | E03914 | 2 | Disc (20 Stk.) | | |
| 11 | G00009016 | E04631 | 16 | Hexagon screw with serration (5 Stk.) | | |
| 12 | G00007041 | E05975 | 2 | Selflocking nut with serrated bearing (3 | | |
| 32 | G00007042 | E06037 | 6 | Selflocking nut with serrated bearing (3 | | |
| 35 | G06525059 | E07180 | 2 | Chain tension plate | | |
| 37 | G06526002 | E06726 | 4 | Connection nut | | |
| 40 | G07838026 | E03932 | 4 | Hexagon screw (10 Stk.) | | |
| 43 | G06525067 | E08334 | 2 | Chain wheel hub total | | |
| 44 | G00010133 | E12385 | 4 | Disc | | |
| 45 | G07837020 | E03924 | 2 | Hexagon screw (4 Stk.) | | |
| 46 | G06525052 | E07156 | 2 | Chain tension sleeve | | |
| 47 | G06521017 | E08335 | 2 | Wheel hub total | | |
| 49 | G06525035 | E06425 | 4 | Chain joint | | |
| 50 | G06526031 | E08025 | 2 | Protective sleeve | | |
| 51 | G06526025 | E07219 | 1 | Chain cover left | | |
| 52 | G06526024 | E07218 | 1 | Chain cover right | | |
| 53 | G06521011 | E06458 | 1 | Wide tyre left 16X6.50-8 | | |
| 54 | G06521010 | E06457 | 1 | Wide tyre right 16X6.50-8 | | |
| 55 | G00009085 | E06761 | 10 | Hexagon screw | | |
| 56 | G07890015 | E06032 | 2 | Flanged self-tapping screw (2 Stk.) | | |
| 57 | G06522001 | E06729 | 1 | Intermediate strut total | | |
| 58 | G07809008 | E03668 | 4 | Disc (5 Stk.) | | |
| 59 | G07837053 | E06730 | 1 | Hexagon screw (2 Stk.) | | |
| 60 | G07837003 | E01958 | 1 | Hexagon screw (2 Stk.) | | |
| 61 | G07846005 | E01968 | 2 | Self-locking hex nut (10 Stk.) | | |
| 62 | G06522024 | E08336 | 1 | Handlebar total | | |
| 63 | G07861006 | E07940 | 1 | Disc | | |
| 64 | G07322010 | E10119 | 1 | Eccentric lever with eyebolt | | |
| 65 | G06534035 | E08337 | 1 | Feather mandrel total | | |
| 66 | G06580008 | E06490 | 1 | Fuel tank total with cap | | |
| 69 | G06506003 | E06494 | 1 | Replaced by E11525 | | |
| 69 | G06906002 | E11525 | 1 | Fuel hose 1405 long | | |
| 70 | G00034011 | E03626 | 2 | Hose clamp | | |
| 71 | G06520021 | E06495 | 1 | Wind cowl | | |
| 72 | G00020115 | E08016 | 2 | Brake cable | | |
| 74 | G00010103 | E07522 | 2 | Spherical washer | | |
| 75 | G07846002 | E01932 | 2 | Self-locking hex nut (5 Stk.) | | |
| 78 | G00020116 | E08017 | 1 | Blade drive cable | | |
| 80 | G07846001 | E01912 | 1 | Self-locking hex nut (10 Stk.) | | |
| 81 | G07837068 | E07643 | 1 | Hexagon screw (2 Stk.) | | |
| 82 | G07918001 | E07269 | 2 | Self-locking hex nut (6 Stk.) | | |
| 83 | G00020114 | E08012 | 1 | Drive cable top | | |
| 84 | G07809003 | E01181 | 1 | Disc (20 Stk.) | | |
| 85 | G07880009 | E07936 | 1 | Disc (5 Stk.) | | |
| 86 | G07878017 | E07937 | 1 | Raised cross-head screw (5 Stk.) | | |
| 87 | G06580018 | E10819 | 4 | Chain 59 links with lock | | |
| 90 | G06521014 | E06570 | 2 | Tube for wide wheels | | |
| 91 | G06550012 | E07684 | 2 | Cover for wide tyre | | |
| 92 | G06550014 | E08029 | 2 | Rim for wide tyre | | |
| 93 | G90120008 | E12741 | 1 | Engine mount total | | |
| 98 | G90122015 | E13036 | 1 | Drive cable total | | |
| 99 | G07838019 | E03886 | 1 | Hexagon screw (10 Stk.) | | |



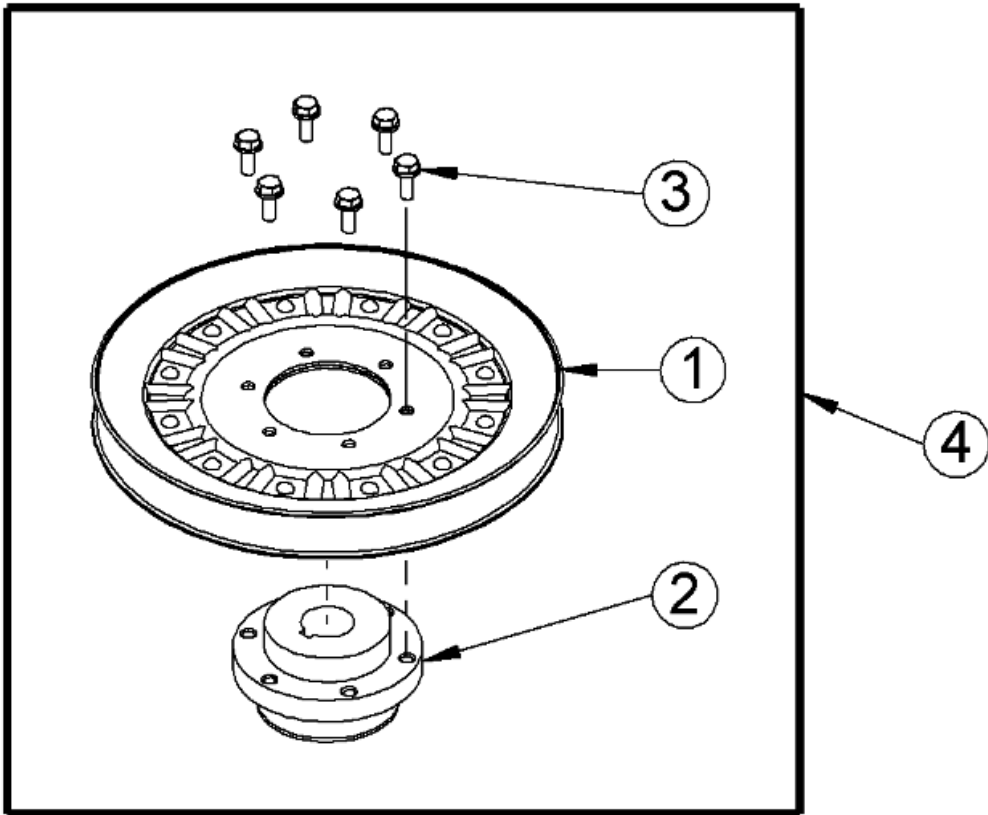
AS 84 Mulchmeister 4T B&S and AS 84/3 LB – Documentation spare parts – Chassis Fig.2 from serial No. 026716040001

| Pos | Art-Nr. | E-Nr. | Menge | Beschreibung | Modell | Info |
|-----|----------------------|-------------------|-------|--|--------|------|
| 4 | G07880006 | E03957 | 3 | Disc (20 Stk.) | | |
| 8 | G07880004 | E03914 | 2 | Disc (20 Stk.) | | |
| 11 | G00009016 | E04631 | 16 | Hexagon screw with serration (5 Stk.) | | |
| 12 | G00007041 | E05975 | 2 | Selflocking nut with serrated bearing (3 | | |
| 32 | G00007042 | E06037 | 6 | Selflocking nut with serrated bearing (3 | | |
| 35 | G06525059 | E07180 | 2 | Chain tension plate | | |
| 37 | G06526002 | E06726 | 4 | Connection nut | | |
| 40 | G07838026 | E03932 | 4 | Hexagon screw (10 Stk.) | | |
| 43 | G06525067 | E08334 | 2 | Chain wheel hub total | | |
| 44 | G00010133 | E12385 | 4 | Disc | | |
| 45 | G07837020 | E03924 | 2 | Hexagon screw (4 Stk.) | | |
| 46 | G06525052 | E07156 | 2 | Chain tension sleeve | | |
| 47 | G06521017 | E08335 | 2 | Wheel hub total | | |
| 49 | G06525035 | E06425 | 4 | Chain joint | | |
| 50 | G06526031 | E08025 | 2 | Protective sleeve | | |
| 51 | G06526025 | E07219 | 1 | Chain cover left | | |
| 52 | G06526024 | E07218 | 1 | Chain cover right | | |
| 53 | G06521011 | E06458 | 1 | Wide tyre left 16X6.50-8 | | |
| 54 | G06521010 | E06457 | 1 | Wide tyre right 16X6.50-8 | | |
| 55 | G00009085 | E06761 | 10 | Hexagon screw | | |
| 56 | G07890015 | E06032 | 2 | Flanged self-tapping screw (2 Stk.) | | |
| 57 | G06522001 | E06729 | 1 | Intermediate strut total | | |
| 58 | G07809008 | E03668 | 4 | Disc (5 Stk.) | | |
| 59 | G07837053 | E06730 | 1 | Hexagon screw (2 Stk.) | | |
| 60 | G07837003 | E01958 | 1 | Hexagon screw (2 Stk.) | | |
| 61 | G07846005 | E01968 | 2 | Self-locking hex nut (10 Stk.) | | |
| 63 | G07861006 | E07940 | 1 | Disc | | |
| 64 | G07322010 | E10119 | 1 | Eccentric lever with eyebolt | | |
| 65 | G06534035 | E08337 | 1 | Feather mandrel total | | |
| 66 | G06580008 | E06490 | 1 | Fuel tank total with cap | | |
| 69 | G06506003 | E06494 | 1 | Replaced by E11525 | | |
| 69 | G06906002 | E11525 | 1 | Fuel hose 1405 long | | |
| 70 | G00034011 | E03626 | 2 | Hose clamp | | |
| 71 | G06520021 | E06495 | 1 | Wind cowl | | |
| 72 | G00020115 | E08016 | 2 | Brake cable | | |
| 74 | G00010103 | E07522 | 2 | Spherical washer | | |
| 75 | G07846002 | E01932 | 2 | Self-locking hex nut (5 Stk.) | | |
| 78 | G00020116 | E08017 | 1 | Blade drive cable | | |
| 80 | G07846001 | E01912 | 1 | Self-locking hex nut (10 Stk.) | | |
| 81 | G07837068 | E07643 | 1 | Hexagon screw (2 Stk.) | | |
| 82 | G07918001 | E07269 | 2 | Self-locking hex nut (6 Stk.) | | |
| 83 | G00020114 | E08012 | 1 | Drive cable top | | |
| 84 | G07809003 | E01181 | 1 | Disc (20 Stk.) | | |
| 85 | G07880009 | E07936 | 1 | Disc (5 Stk.) | | |
| 86 | G07878017 | E07937 | 1 | Raised cross-head screw (5 Stk.) | | |
| 87 | G06580018 | E10819 | 4 | Chain 59 links with lock | | |
| 90 | G06521014 | E06570 | 2 | Tube for wide wheels | | |
| 91 | G06550012 | E07684 | 2 | Cover for wide tyre | | |
| 92 | G06550014 | E08029 | 2 | Rim for wide tyre | | |
| 93 | G90120008 | E12741 | 1 | Engine mount total | | |
| 98 | G90122015 | E13036 | 1 | Drive cable total | | |
| 99 | G07838019 | E03886 | 1 | Hexagon screw (10 Stk.) | | |
| 102 | G06522037 | G06522037 | 1 | Handlebar total | | |



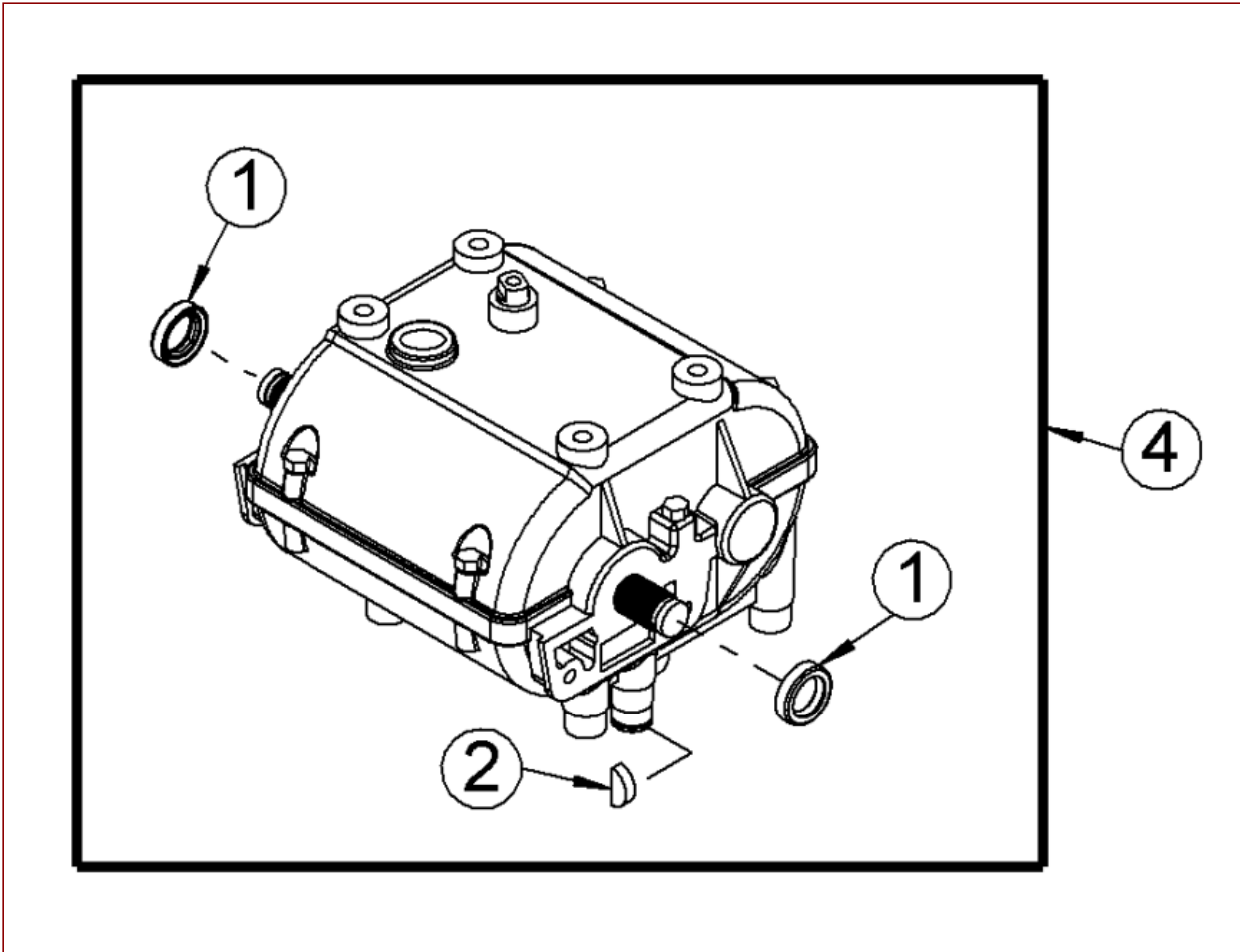
AS 84 Mulchmeister 4T B&S and AS 84/3 LB – Documentation spare parts – Engine complete

| Pos | Art-Nr. | E-Nr. | Menge | Beschreibung | Modell | Info |
|-----|-----------|--------|-------|---------------------------------|--------|------|
| 2 | G00550002 | E06742 | 2 | Manifold gasket (5 Stk.) | | |
| 3 | G00509021 | E07216 | 1 | Manifold total | | |
| 4 | G06526035 | E11745 | 4 | Angle bracket | | |
| 6 | G00550004 | E06744 | 1 | Oil pressure switch | | |
| 7 | G00550003 | E06743 | 4 | Manifold screw (5 Stk.) | | |
| 9 | G06650163 | E07344 | 1 | Extension | | |
| 10 | G06650164 | E07345 | 1 | Oil drain tube | | |
| 12 | G00501036 | E12716 | 1 | Engine B&S 16 GROSS HP VANGUARD | | |




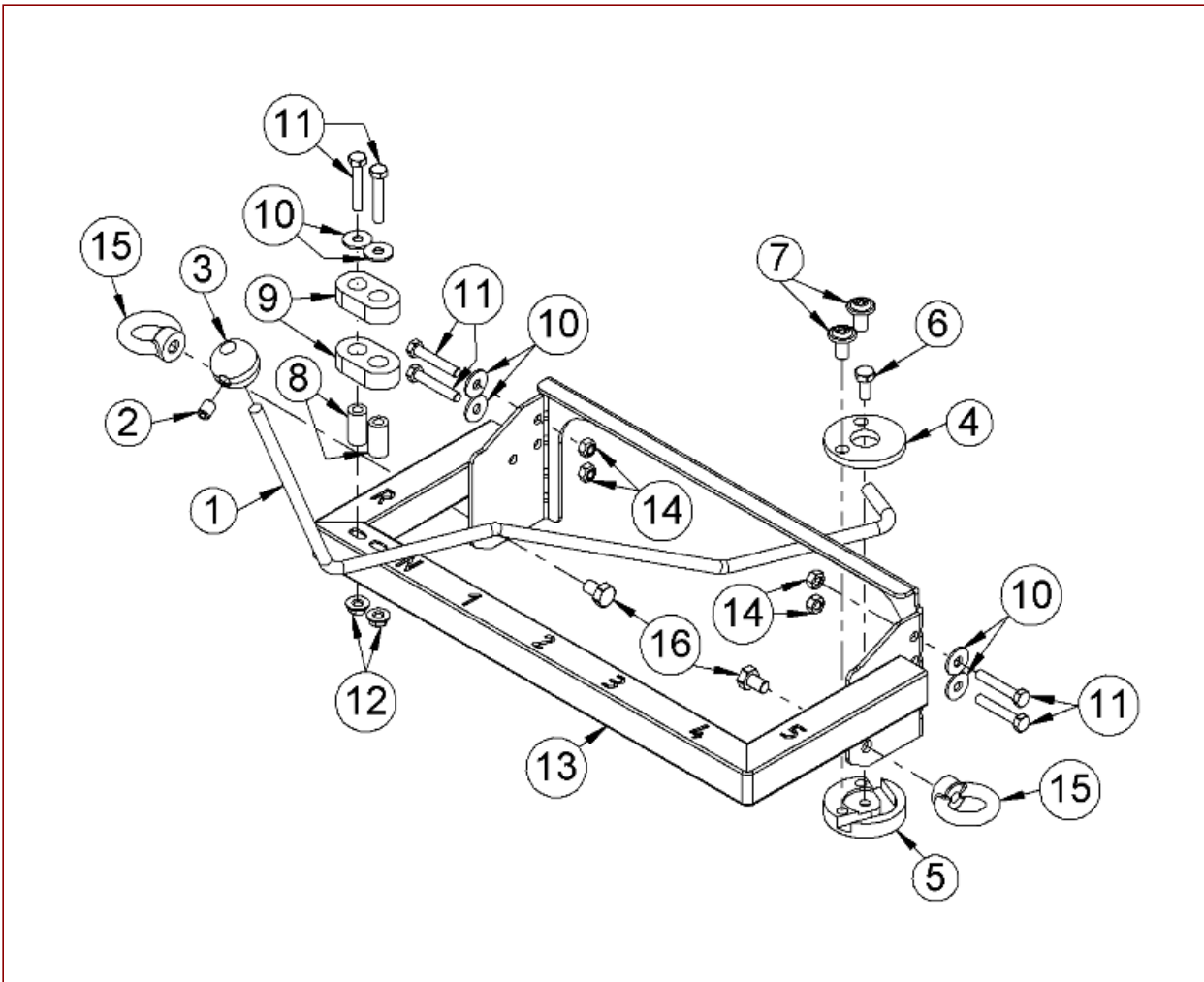
AS 84/2 LB – ET documentation – Belt pulley engine complete

| Pos | Art-Nr. | E-Nr. | Menge | Beschreibung | Modell | Info |
|------------|----------------|--------------|--------------|-----------------------------|---------------|-------------|
| 1 | G00525001 | E06666 | 1 | Belt pulley dw 200 | | |
| 2 | G06525058 | E07178 | 1 | Engine hub | | |
| 3 | G00009024 | E04519 | 4 | Self-tapping screw (3 Stk.) | | |
| 4 | G00525012 | E08331 | 1 | Belt pulley engine total | | |



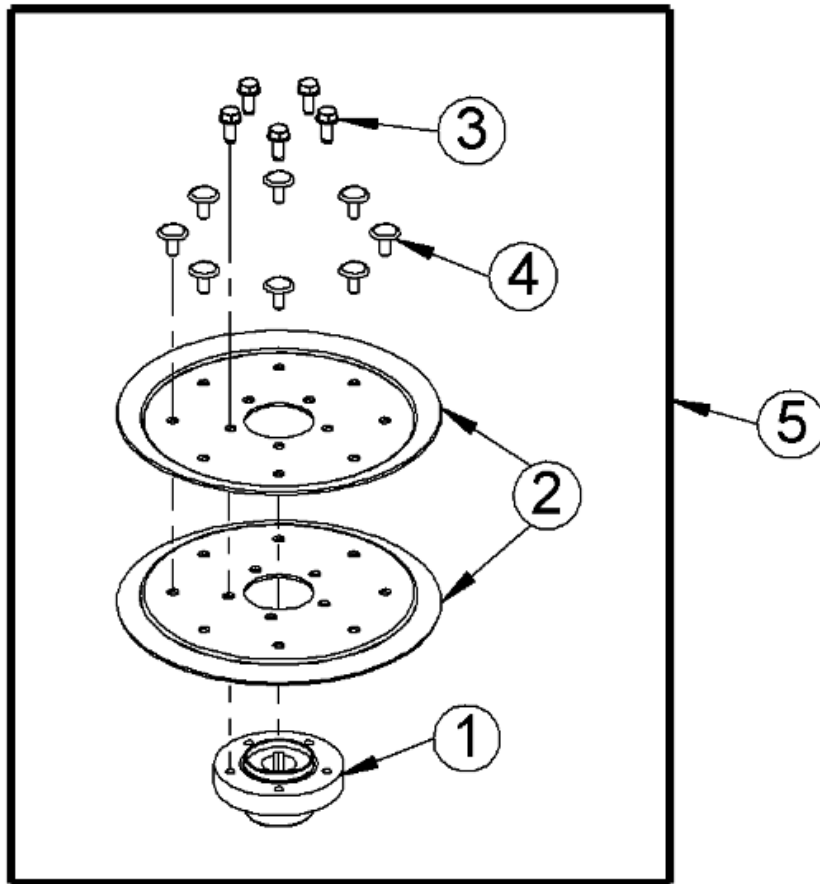
AS 84 Mulchmeister 4T B&S and AS 84/3 LB – Documentation spare parts – Gearbox complete

| Pos | Art-Nr. | E-Nr. | Menge | Beschreibung | Modell | Info |
|---|----------------------|-------------------|-------|----------------------------------|--------|------|
| 1 | G07858020 | E12227 | 2 | Shaft seal ring | | |
| 2 | G07866004 | E06682 | 1 | Curved washer (3 Stk.) | | |
| 4 | G06530024 | E08011 | 1 | Replaced by G06530032 | | |
|  | G06530032 | G06530032 | 1 | Transmission + seal | | |



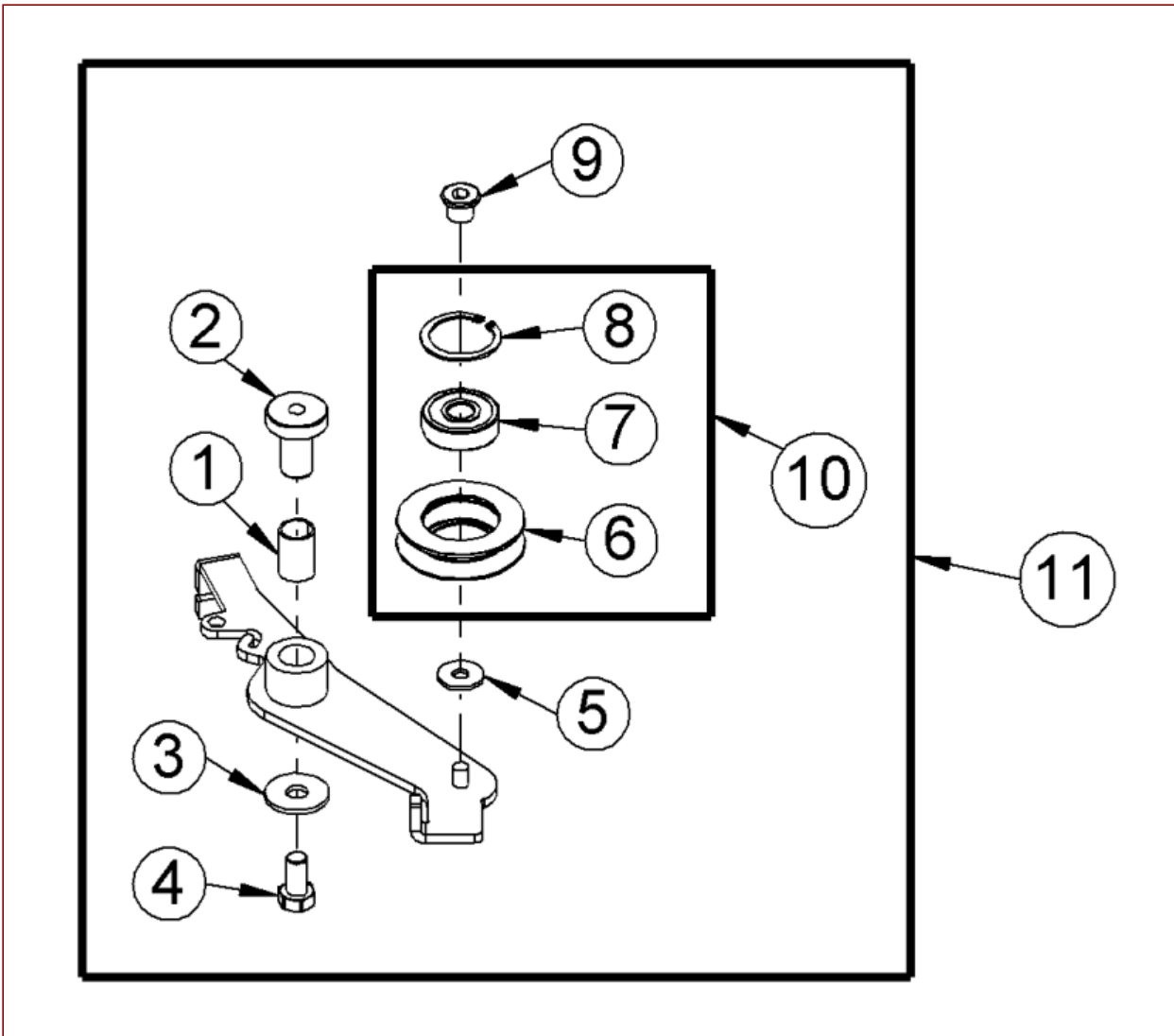
AS 84 Mulchmeister 4T B&S and AS 84/3 LB – Documentation spare parts – Selector rod

| Pos | Art-Nr. | E-Nr. | Menge | Beschreibung | Modell | Info |
|-----|-----------|--------|-------|--|--------|------|
| 1 | G90130001 | E13026 | 1 | Shift rod | | |
| 2 | G07834004 | E07057 | 1 | Threaded pin (3 Stk.) | | |
| 3 | G90130007 | E13085 | 1 | Switching handle | | |
| 4 | G90130003 | E13028 | 1 | Disc | | |
| 5 | G90130002 | E13027 | 1 | Switching adapter | | |
| 6 | G00009061 | E06679 | 1 | Inch screw (5 Stk.) | | |
| 7 | G00009175 | E12497 | 2 | Dome head screw with Torx (2 Stk.) | | |
| 8 | G00024006 | E05722 | 2 | Spacer sleeve | | |
| 9 | G90130006 | E13037 | 2 | Shift stop | | |
| 10 | G07880004 | E03914 | 4 | Disc (20 Stk.) | | |
| 11 | G07837024 | E04058 | 6 | Hexagon screw (10 Stk.) | | |
| 12 | G00007041 | E05975 | 2 | Selflocking nut with serrated bearing (3 | | |
| 13 | G90122001 | E13031 | 1 | Tank strut | | |
| 14 | G07906002 | E06667 | 4 | Self-locking hex nut (10 Stk.) | | |
| 15 | G07887001 | E04074 | 2 | Ring nut | | |
| 16 | G07838026 | E03932 | 2 | Hexagon screw (10 Stk.) | | |



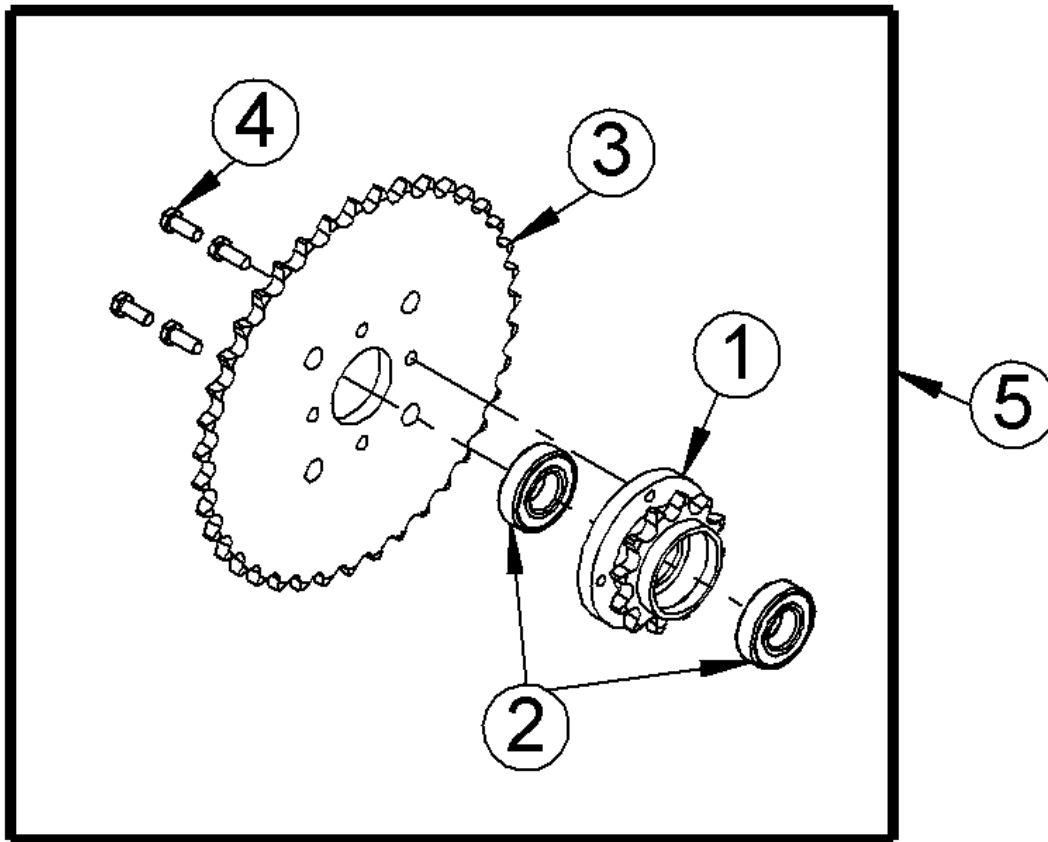
AS 84/2 LB – ET documentation – Belt pulley hub transmission complete

| Pos | Art-Nr. | E-Nr. | Menge | Beschreibung | Modell | Info |
|-----|-----------|--------|-------|-------------------------------------|--------|------|
| 1 | G06530013 | E07169 | 1 | Belt pulley hub transmission | | |
| 2 | G06125059 | E05989 | 2 | Belt pulley half Ø 150 | | |
| 3 | G07890004 | E05828 | 5 | Flanged self-tapping screw (3 Stk.) | | |
| 4 | G00012020 | E06750 | 8 | Blind rivet (3 Stk.) | | |
| 5 | G06530017 | E08332 | 1 | Belt pulley hub transmission total | | |



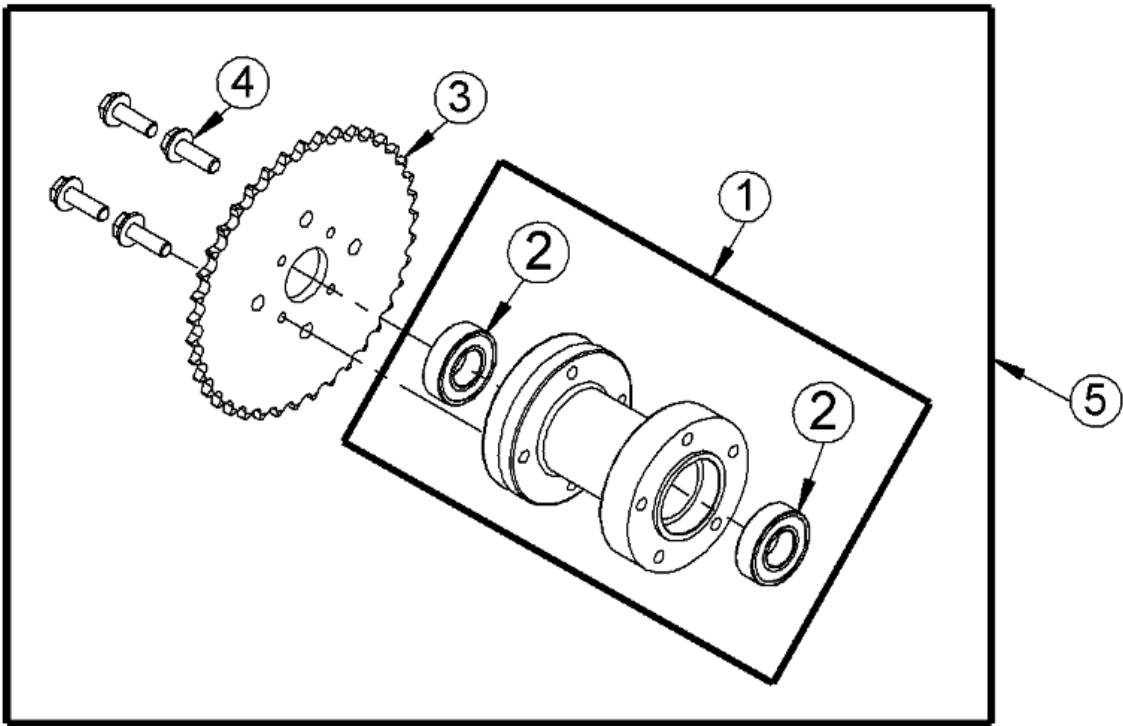
AS 84 Mulchmeister 4T B&S and AS 84/3 LB – Documentation spare parts – Belt tensioner full st.

| Pos | Art-Nr. | E-Nr. | Menge | Beschreibung | Modell | Info |
|-----|-----------|--------|-------|-----------------------------------|--------|------|
| 1 | G00028027 | E06473 | 1 | DU bush | | |
| 2 | G06525054 | E07158 | 1 | Tension lever bearing | | |
| 3 | G07880006 | E03957 | 1 | Disc (20 Stk.) | | |
| 4 | G07838026 | E03932 | 1 | Hexagon screw (10 Stk.) | | |
| 5 | G07880004 | E03914 | 1 | Disc (20 Stk.) | | |
| 6 | G06525056 | E07891 | 1 | Tension pulley | | |
| 7 | G07830047 | E12509 | 1 | Deep groove ball bearing | | |
| 8 | G07823016 | E07209 | 1 | Circlip for drilled hole (2 Stk.) | | |
| 9 | G00007079 | E12369 | 1 | Special nut | | |
| 10 | G06525063 | E07208 | 1 | Tension pulley with ball bearing | | |
| 11 | G90125013 | E13023 | 1 | Belt tensioner total | | |



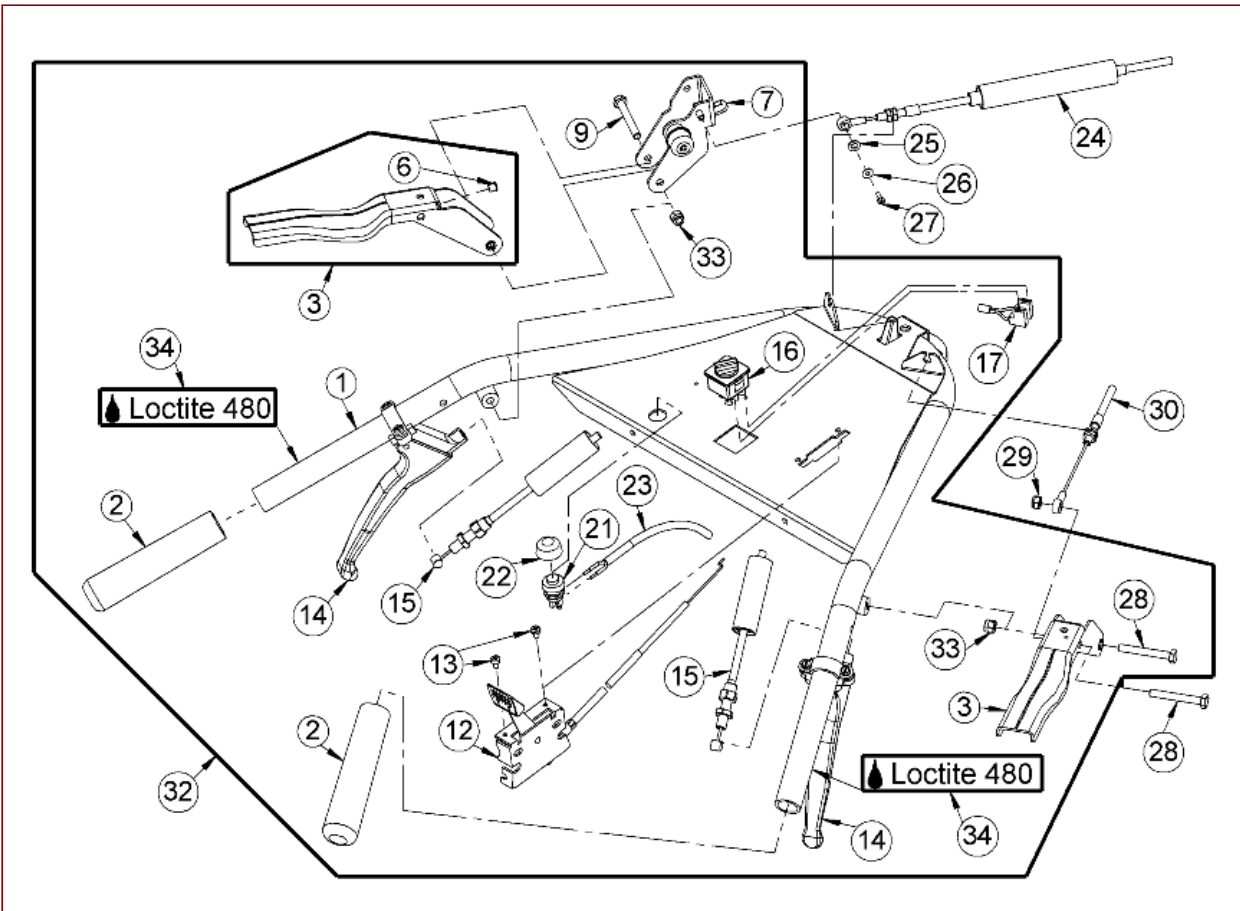
AS 84/2 LB – ET documentation – Cain wheel hub complete

| Pos | Art-Nr. | E-Nr. | Menge | Beschreibung | Modell | Info |
|------------|----------------|--------------|--------------|-------------------------|---------------|-------------|
| 1 | G06525055 | E07168 | 1 | Chain wheel hub | | |
| 2 | E2104 | E2104 | 2 | | | |
| 3 | G06525006 | E06426 | 1 | Chain wheel 39 teeth | | |
| 4 | G07838004 | E01930 | 4 | Hexagon screw (10 Stk.) | | |
| 5 | G06525067 | E08334 | 1 | Chain wheel hub total | | |



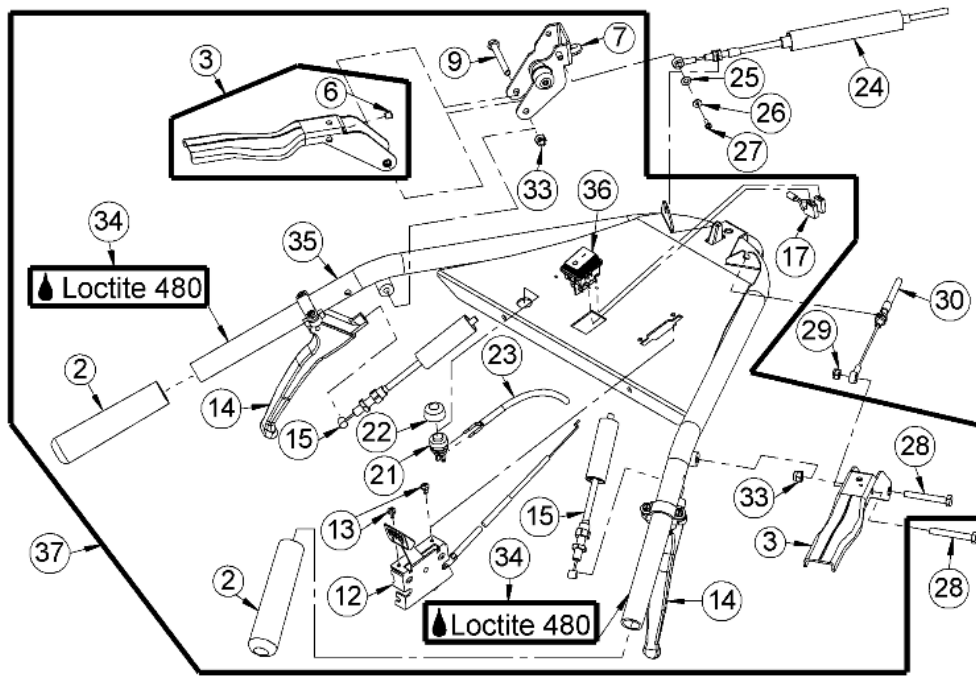
AS 84/2 LB – ET documentation – Wheel hub full st.

| Pos | Art-Nr. | E-Nr. | Menge | Beschreibung | Modell | Info |
|------------|----------------|--------------|--------------|--------------------------|---------------|-------------|
| 1 | G06521016 | E07181 | 1 | Wheel hub complete | | |
| 2 | G07830022 | E06161 | 2 | Deep groove ball bearing | | |
| 3 | G06525006 | E06426 | 1 | Chain wheel 39 teeth | | |
| 4 | G00009085 | E06761 | 4 | Hexagon screw | | |
| 5 | G06521017 | E08335 | 1 | Wheel hub total | | |



AS 84 Mulchmeister 4T B&S and AS 84/3 LB – Documentation spare parts – Handlebar

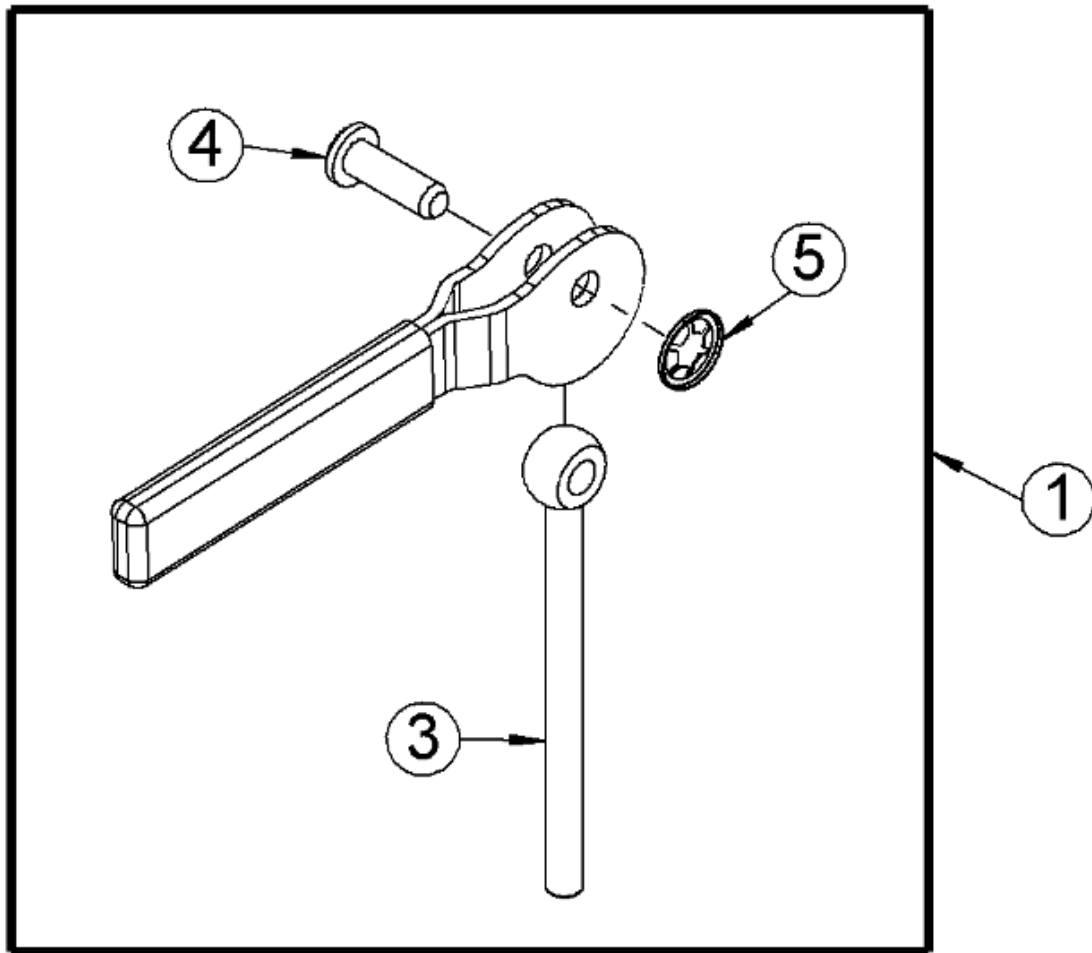
| Pos | Art-Nr. | E-Nr. | Menge | Beschreibung | Modell | Info |
|-----|-----------|-----------|-------|---------------------------------------|--------|------|
| 1 | G06522025 | E08014 | 1 | Handlebar | | |
| 2 | G00008114 | E08305 | 2 | Handlebar grip (2 Stk.) | | |
| 3 | G06780010 | E08306 | 2 | Hand lever with rubber buffer | | |
| 6 | G00008086 | E05973 | 2 | Rubber buffer (2 Stk.) | | |
| 7 | G06522032 | E08015 | 1 | Notch lever total | | |
| 9 | G07838059 | E06632 | 1 | Hexagon screw | | |
| 12 | G06522015 | E06430 | 1 | Accelerator lever with throttle cable | | |
| 13 | G07890028 | E06594 | 2 | Self-tapping screw (5 Stk.) | | |
| 14 | G00017028 | E07542 | 2 | Actuating lever | | |
| 15 | G00020115 | E08016 | 2 | Brake cable | | |
| 16 | G06727001 | E07939 | 1 | Selector switch | | |
| 17 | G06527001 | E08345 | 1 | Short circuit cable | | |
| 21 | G00017026 | E06702 | 1 | Pushbutton | | |
| 22 | G00008100 | E06739 | 1 | Round sealing cap | | |
| 23 | G00043012 | E06703 | 1 | Starting aid cable | | |
| 24 | G00020116 | E08017 | 1 | Blade drive cable | | |
| 25 | G07809003 | E01181 | 1 | Disc (20 Stk.) | | |
| 26 | G07880009 | E07936 | 1 | Disc (5 Stk.) | | |
| 27 | G07878017 | E07937 | 1 | Raised cross-head screw (5 Stk.) | | |
| 28 | G07837068 | E07643 | 2 | Hexagon screw (2 Stk.) | | |
| 29 | G07918001 | E07269 | 1 | Self-locking hex nut (6 Stk.) | | |
| 30 | G00020114 | E08012 | 1 | Drive cable top | | |
| 32 | G06522024 | E08336 | 1 | Handlebar total | | |
| 33 | G07846008 | E03829 | 1 | Self-locking hex nut (10 Stk.) | | |
| 34 | G00041061 | G00041061 | 1 | Loctite 480 (100Gr.) | | |



Lenker vollst. AS 84 4T B&S ab Serien Nr. 0267 16 04 0001

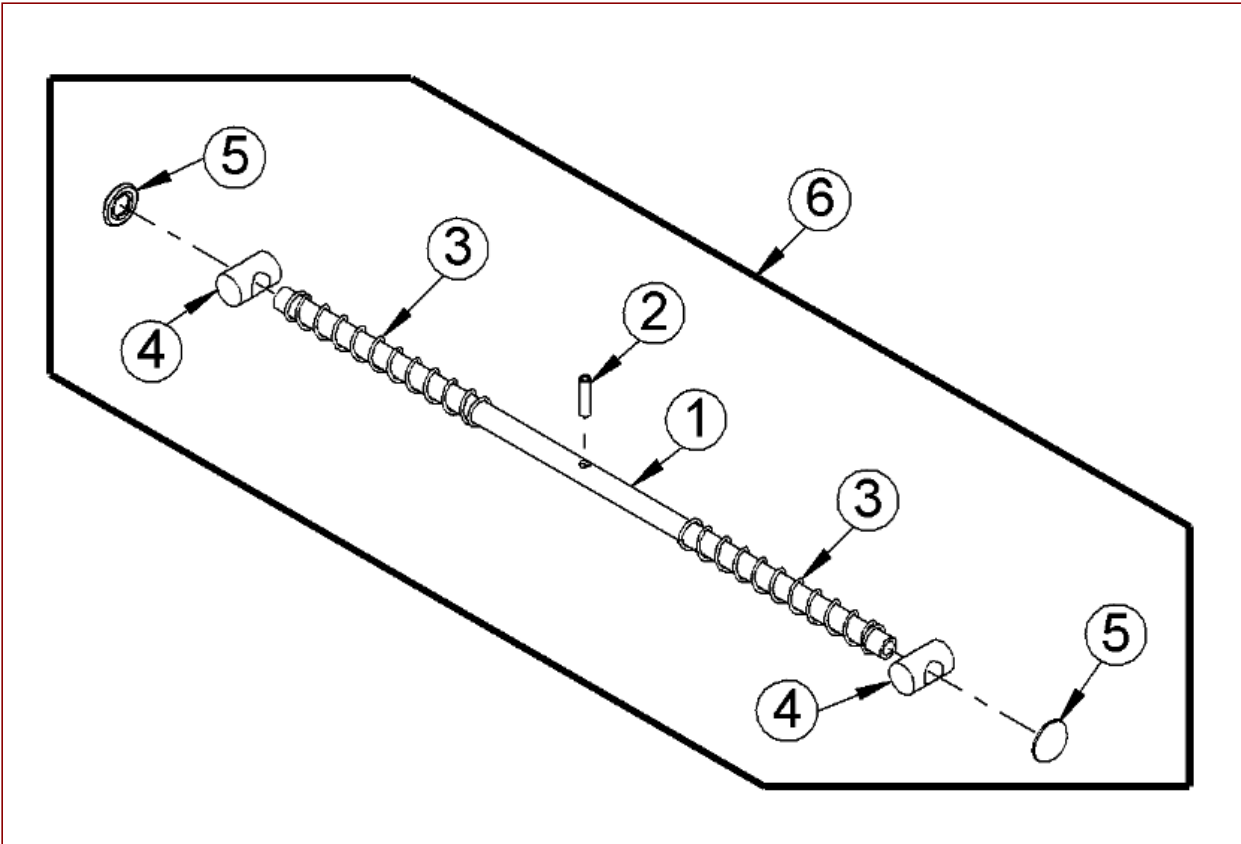
AS 84 Mulchmeister 4T B&S and AS 84/3 LB – Documentation spare parts – Handlebar from serial No. 026716040001

| Pos | Art-Nr. | E-Nr. | Menge | Beschreibung | Modell | Info |
|-----|-----------|-----------|-------|---------------------------------------|--------|------|
| 2 | G00008114 | E08305 | 2 | Handlebar grip (2 Stk.) | | |
| 3 | G06780010 | E08306 | 2 | Hand lever with rubber buffer | | |
| 6 | G00008086 | E05973 | 2 | Rubber buffer (2 Stk.) | | |
| 7 | G06522032 | E08015 | 1 | Notch lever total | | |
| 9 | G07838059 | E06632 | 1 | Hexagon screw | | |
| 12 | G06522015 | E06430 | 1 | Accelerator lever with throttle cable | | |
| 13 | G07890028 | E06594 | 2 | Self-tapping screw (5 Stk.) | | |
| 14 | G00017028 | E07542 | 2 | Actuating lever | | |
| 15 | G00020115 | E08016 | 2 | Brake cable | | |
| 17 | G06527001 | E08345 | 1 | Short circuit cable | | |
| 21 | G00017026 | E06702 | 1 | Pushbutton | | |
| 22 | G00008100 | E06739 | 1 | Round sealing cap | | |
| 23 | G00043012 | E06703 | 1 | Starting aid cable | | |
| 24 | G00020116 | E08017 | 1 | Blade drive cable | | |
| 25 | G07809003 | E01181 | 1 | Disc (20 Stk.) | | |
| 26 | G07880009 | E07936 | 1 | Disc (5 Stk.) | | |
| 27 | G07878017 | E07937 | 1 | Raised cross-head screw (5 Stk.) | | |
| 28 | G07837068 | E07643 | 2 | Hexagon screw (2 Stk.) | | |
| 29 | G07818001 | E01188 | 1 | Hex nut (2 Stk.) | | |
| 30 | G00020114 | E08012 | 1 | Drive cable top | | |
| 33 | G07846008 | E03829 | 1 | Self-locking hex nut (10 Stk.) | | |
| 34 | G00041061 | G00041061 | 1 | Loctite 480 (100Gr.) | | |
| 35 | G06522034 | G06522034 | 1 | Handlebar | | |
| 36 | G00047001 | G00047001 | 1 | Toggle switch | | |
| 37 | G06522037 | G06522037 | 1 | Handlebar total | | |



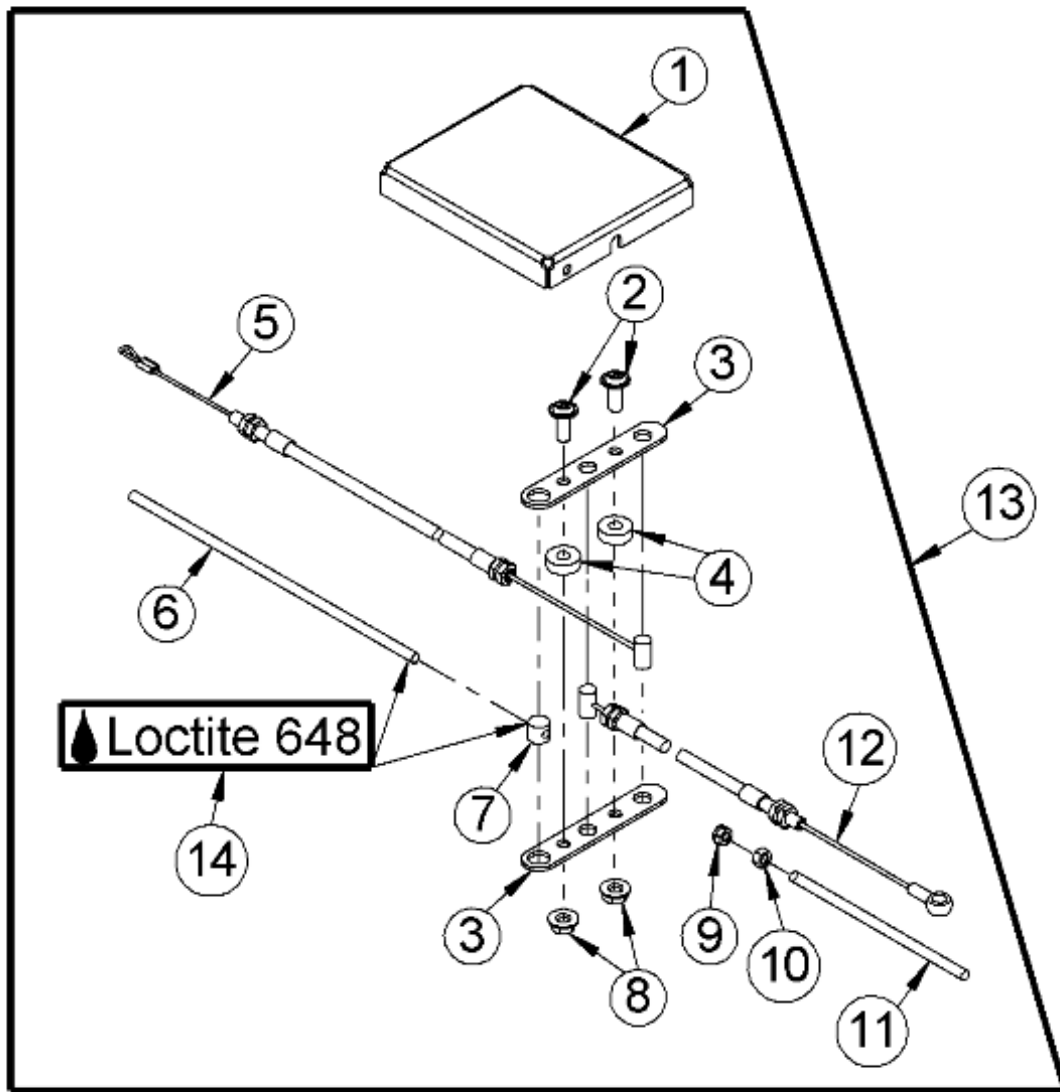
AS 84/2 LB – ET documentation – Connection rod tension lever full st.

| Pos | Art-Nr. | E-Nr. | Menge | Beschreibung | Modell | Info |
|------------|----------------|--------------|--------------|------------------------------|---------------|-------------|
| 1 | G07322010 | E10119 | 1 | Eccentric lever with eyebolt | | |
| 3 | G07820004 | E10120 | 1 | Eye bolt | | |
| 4 | G07886001 | E04476 | 1 | Bolt with head | | |
| 5 | G00027001 | E04567 | 1 | Shaft locking clip | | |



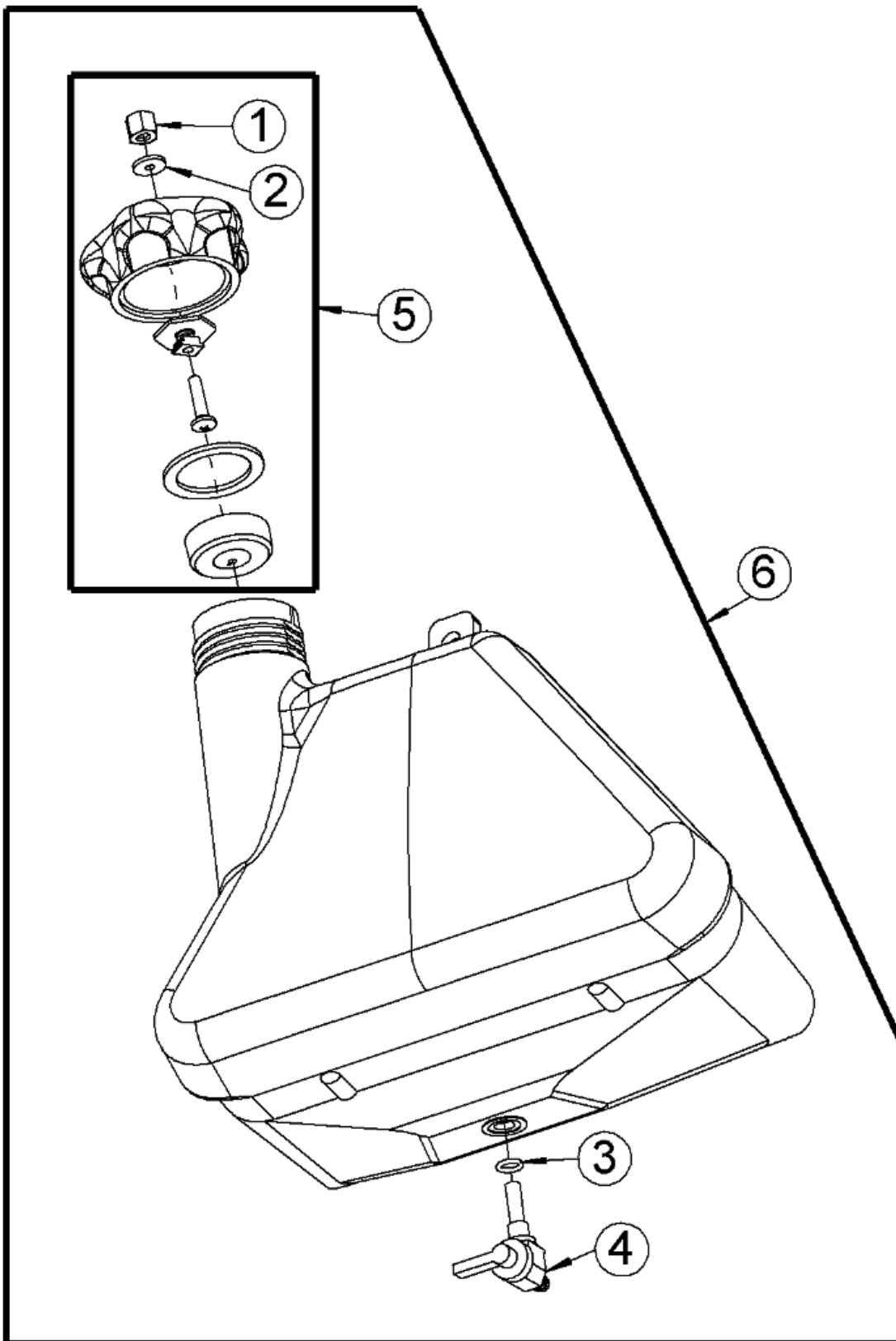
AS 84/2 LB – ET documentation – Spring pin complete

| Pos | Art-Nr. | E-Nr. | Menge | Beschreibung | Modell | Info |
|------------|----------------|--------------|--------------|--------------------------------------|---------------|-------------|
| 1 | G06534011 | E07166 | 1 | Feather mandrel | | |
| 2 | G07853025 | E04999 | 1 | Spring pin (5 Stk.) | | |
| 3 | G00001080 | E07243 | 2 | Pressure spring | | |
| 4 | G06534009 | E07187 | 2 | Spring bearing | | |
| 5 | G00027010 | E04981 | 2 | Shaft locking clip with cap (2 Stk.) | | |
| 6 | G06534035 | E08337 | 1 | Feather mandrel total | | |



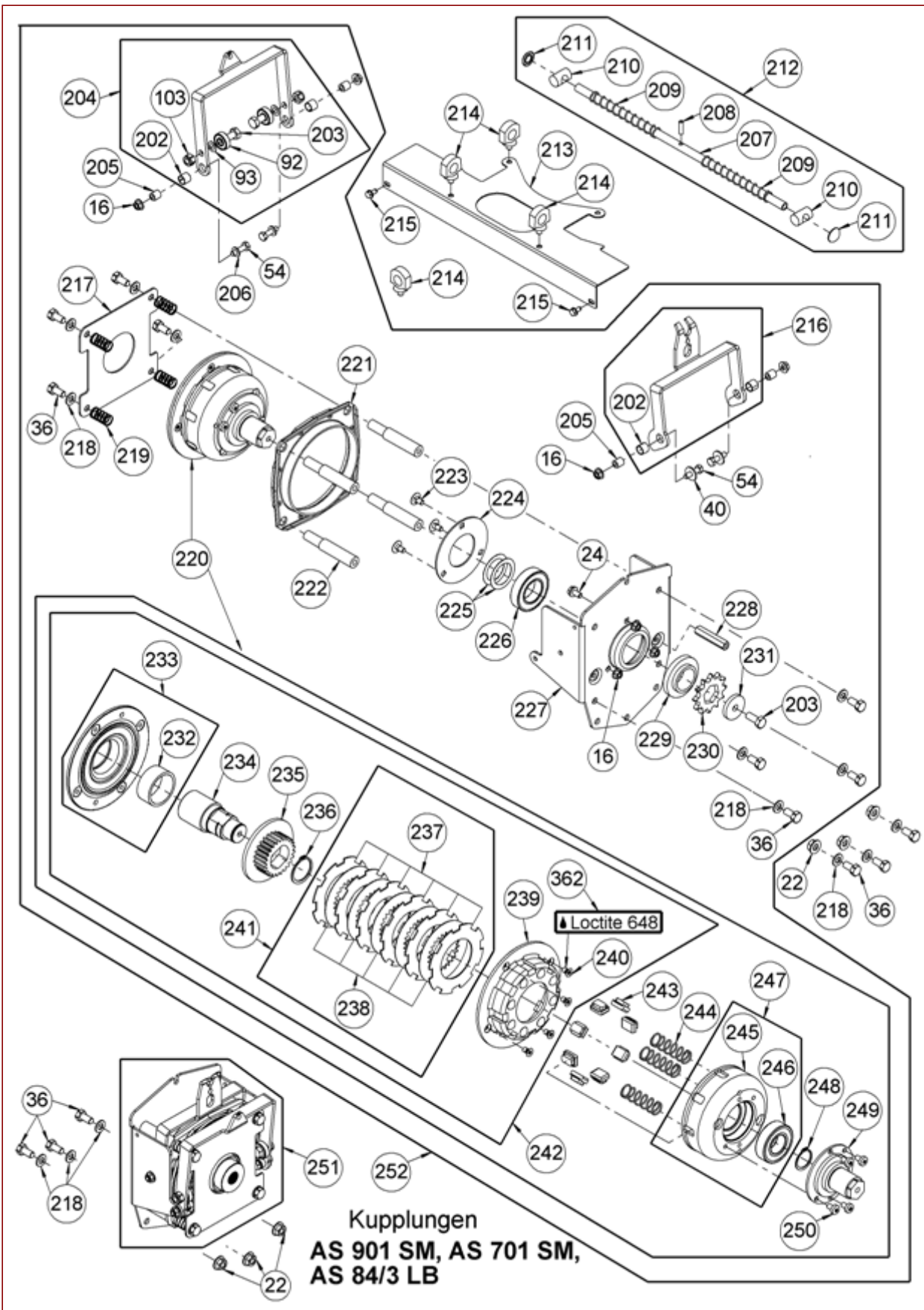
AS 84 Mulchmeister 4T B&S and AS 84/3 LB – Documentation spare parts – Drive mechanism cable complet

| Pos | Art-Nr. | E-Nr. | Menge | Beschreibung | Modell | Info |
|-----|-----------|--------|-------|--|--------|------|
| 1 | G90122013 | E13032 | 1 | Base sheet | | |
| 2 | G00009159 | E11673 | 2 | Dome head screw with Torx (10 Stk.) | | |
| 3 | G90122014 | E13033 | 2 | Bowden cable plate | | |
| 4 | G00010104 | E07523 | 2 | Disc | | |
| 5 | G00020093 | E07272 | 1 | Drive cable | | |
| 6 | G00009096 | E07526 | 1 | Threaded rod | | |
| 7 | G00007050 | E07524 | 2 | Joint nut | | |
| 8 | G00007041 | E05975 | 2 | Selflocking nut with serrated bearing (3 | | |
| 9 | G07846002 | E01932 | 1 | Self-locking hex nut (5 Stk.) | | |
| 10 | G07839007 | E01950 | 1 | Hex nut (10 Stk.) | | |
| 11 | G00009095 | E07525 | 1 | Threaded rod | | |
| 12 | G00020114 | E08012 | 1 | Drive cable top | | |
| 13 | G90122015 | E13036 | 1 | Drive cable total | | |
| 14 | G00041013 | E06078 | 1 | LOCTITE 648 (50 ml) | | |



AS 84/2 LB – ET documentation – Fuel tank complete with lid

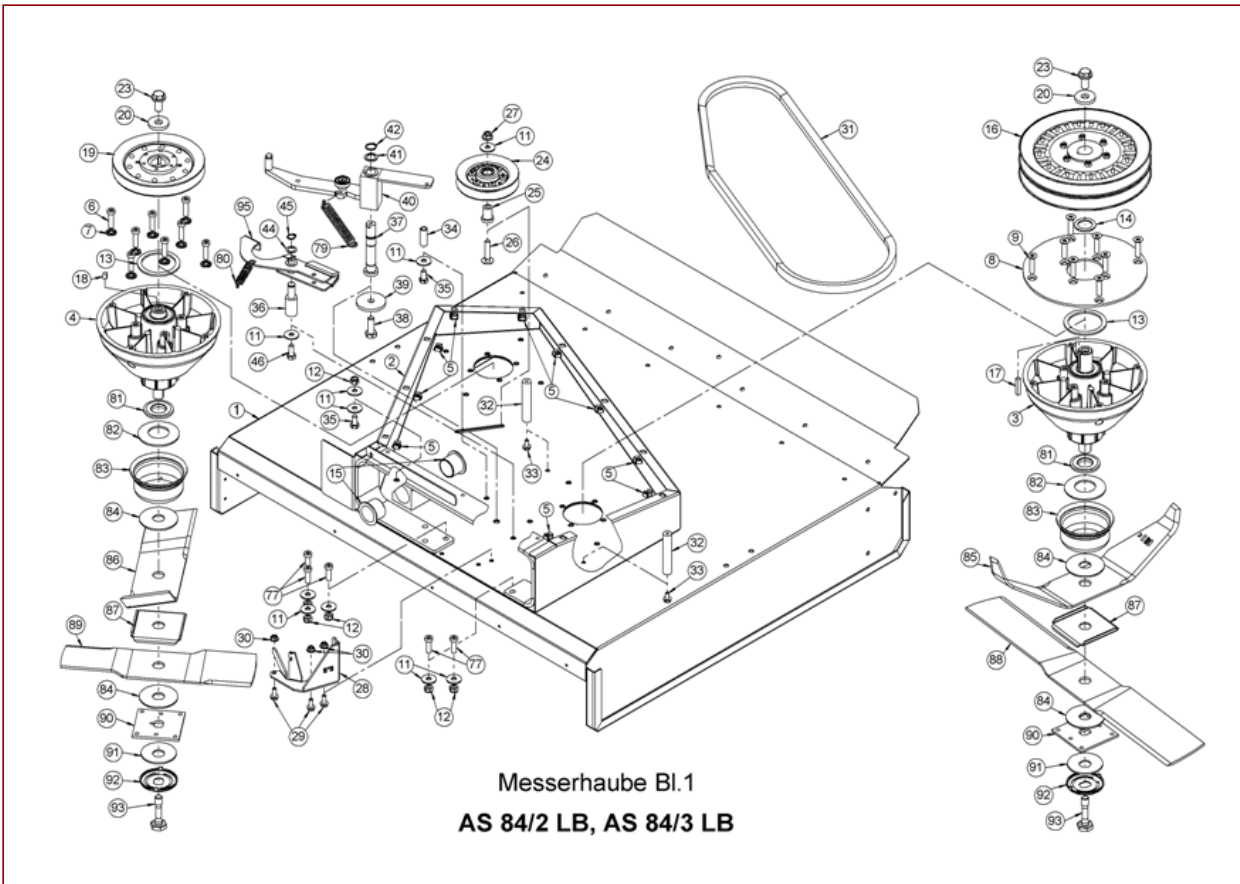
| Pos | Art-Nr. | E-Nr. | Menge | Beschreibung | Modell | Info |
|-----|-----------|--------|-------|--------------------------|--------|------|
| 1 | G00007033 | E05247 | 1 | Hexagon cap nut | | |
| 2 | G00019051 | E05246 | 1 | Sealing disc (5 Stk.) | | |
| 3 | G00006032 | E02412 | 1 | O-ring (2 Stk.) | | |
| 4 | G00022013 | E06701 | 1 | Fuel valve | | |
| 5 | G06306007 | E04783 | 1 | Tank cap total | | |
| 6 | G06580008 | E06490 | 1 | Fuel tank total with cap | | |



AS 901 SM – Documentation spare parts – Clutches

| Pos | Art-Nr. | E-Nr. | Menge | Beschreibung | Modell | Info |
|-----|-----------|--------|-------|--|--------|------|
| 16 | G00007041 | E05975 | 14 | Selflocking nut with serrated bearing (3 | | |
| 22 | G00007042 | E06037 | 6 | Selflocking nut with serrated bearing (3 | | |
| 24 | G00009016 | E04631 | 2 | Hexagon screw with serration (5 Stk.) | | |
| 36 | G07838026 | E03932 | 22 | Hexagon screw (10 Stk.) | | |
| 40 | G07880004 | E03914 | 4 | Disc (20 Stk.) | | |
| 54 | G07838019 | E03886 | 8 | Hexagon screw (10 Stk.) | | |
| 92 | G07830031 | E07211 | 4 | Deep groove ball bearing | | |
| 93 | G07847036 | E05984 | 4 | Shim (10 Stk.) | | |
| 103 | G07846001 | E01912 | 4 | Self-locking hex nut (10 Stk.) | | |
| 202 | G00028019 | E06539 | 4 | DU bush | | |
| 203 | G07838028 | E03938 | 6 | Hexagon screw (10 Stk.) | | |
| 204 | G06534034 | E07231 | 2 | Actuating plate total | | |
| 205 | G00024025 | E07190 | 8 | Sleeve | | |
| 206 | G07809006 | E01940 | 4 | Disc (10 Stk.) | | |
| 207 | G06534011 | E07166 | 1 | Feather mandrel | | |
| 208 | G07853025 | E04999 | 1 | Spring pin (5 Stk.) | | |
| 209 | G00001080 | E07243 | 2 | Pressure spring | | |
| 210 | G06534009 | E07187 | 2 | Spring bearing | | |
| 211 | G00027010 | E04981 | 2 | Shaft locking clip with cap (2 Stk.) | | |
| 212 | G06534035 | E08337 | 1 | Feather mandrel total | | |
| 213 | G90126015 | E13030 | 1 | Transmission protection cover | | |
| 214 | G00026045 | E11599 | 4 | Cable holder Ø 15.5-Ø 18.6 mm | | |
| 215 | G07890003 | E04576 | 2 | Flanged self-tapping screw (3 Stk.) | | |
| 216 | G06534027 | E07230 | 1 | Brake plate total | | |
| 217 | G06534019 | E07185 | 2 | Base plate | | |
| 218 | G07809004 | E01905 | 22 | Disc (20 Stk.) | | |
| 219 | G00001066 | E05849 | 8 | Pressure spring (4 Stk.) | | |
| 220 | G06534033 | E07963 | 2 | Clutch basket total | | |
| 221 | G06534023 | E07205 | 2 | Brake plate total | | |
| 222 | G06534008 | E07179 | 8 | Fixing bolts | | |
| 223 | G07827008 | E04991 | 6 | Mushroom head square neck bolt (3 Stk.) | | |
| 224 | G06525060 | E07182 | 2 | Disc | | |
| 225 | G07847045 | E07224 | 4 | Shim (5 Stk.) | | |
| 226 | G07830028 | E06855 | 2 | Deep groove ball bearing | | |
| 227 | G06534013 | E07242 | 2 | Clutch bearing | | |
| 228 | G06526002 | E06726 | 2 | Connection nut | | |
| 229 | G06525053 | E07157 | 2 | Chain pinion ring | | |
| 230 | G06525007 | E06427 | 2 | Chain wheel 12 teeth | | |
| 231 | G00010133 | E12385 | 2 | Disc | | |
| 232 | G00028018 | E05839 | 2 | Friction bearing | | |
| 233 | G00108023 | E07206 | 2 | Bearing washer with friction bearing | | |
| 234 | G06534010 | E07165 | 2 | Clutch hub | | |
| 235 | G00108032 | E06310 | 2 | Clutch flange | | |
| 236 | G07822010 | E06311 | 2 | Circlip for shaft (2 Stk.) | | |
| 237 | G00108018 | E05841 | 12 | Outer lamellas (6 Stk.) | | |
| 238 | G00108033 | E06312 | 10 | Inner lamella (5 Stk.) | | |
| 239 | G00108013 | E05843 | 2 | Clutch basket | | |
| 240 | G07844004 | E05845 | 8 | Countersunk screw with inside Torx (4 St | | |
| 241 | G00180031 | E06313 | 2 | Set of lamellas | | |
| 242 | G06534032 | E07961 | 2 | Clutch basket complete | | |
| 243 | G00108010 | E05844 | 16 | Carrier piece (8 Stk.) | | |
| 244 | G00001067 | E05846 | 6 | Pressure spring (6 Stk.) | | |
| 245 | G06534015 | E07892 | 2 | Clutch housing | | |
| 246 | G07830015 | E08351 | 2 | Deep groove ball bearing | | |
| 247 | G06534025 | E07207 | 2 | Clutch housing with ball bearing | | |
| 248 | G07822001 | E02116 | 2 | Circlip for shaft (5 Stk.) | | |
| 249 | G06534014 | E07171 | 2 | Pinion flange | | |
| 250 | G00009038 | E05720 | 8 | Screw with Torx (3 Stk.) | | |

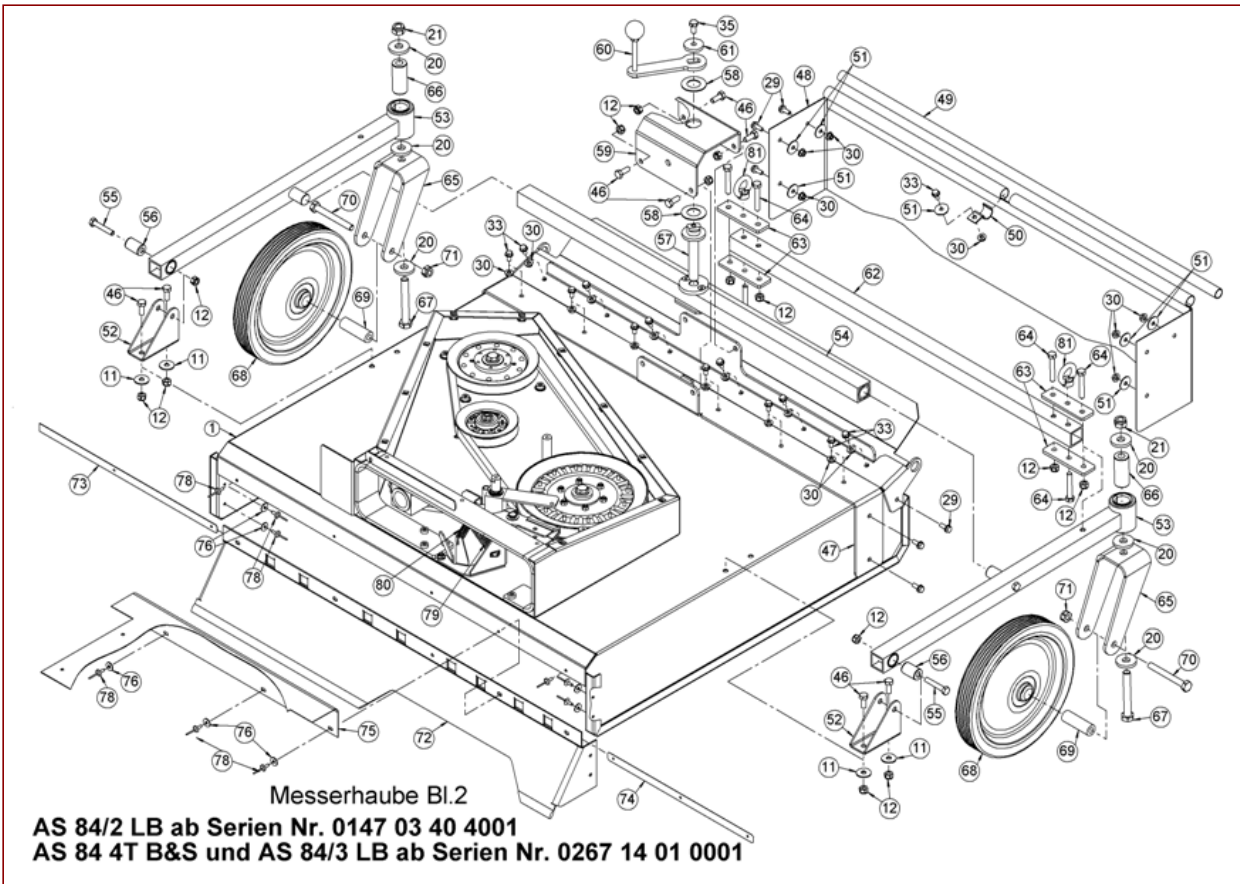
| | | | | | | |
|-----|-----------|--------|---|---------------------|--|--|
| 251 | G06534031 | E07965 | 1 | Clutch left total | | |
| 252 | G06534030 | E07968 | 1 | Clutch right total | | |
| 362 | G00041013 | E06078 | 1 | LOCTITE 648 (50 ml) | | |



AS 84/2 LB – ET documentation – Blade cover Fig.1

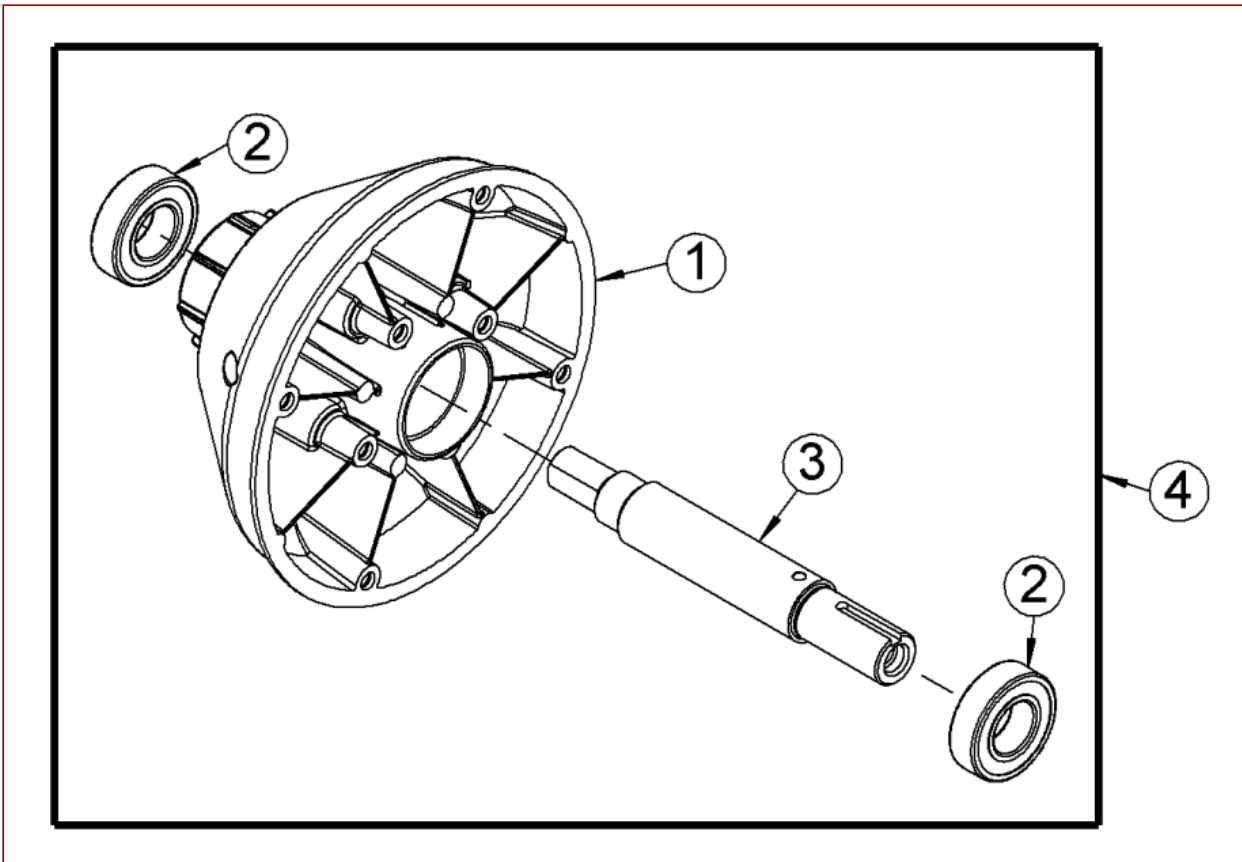
| Pos | Art-Nr. | E-Nr. | Menge | Beschreibung | Modell | Info |
|-----|----------------------|-------------------|-------|--|--------|------|
| 1 | G06520328 | E07233 | 1 | Blade hood | | |
| 2 | G06520335 | E07188 | 1 | Hood reinforcement complete | | |
| 3 | G06523301 | E06497 | 1 | Blade bearing 1 total | | |
| 4 | G06523305 | E06498 | 1 | Blade bearing 2 total | | |
| 5 | G00007046 | E06672 | 10 | Box nut (2 Stk.) | | |
| 6 | G00009082 | E06651 | 8 | Inside Torx screw (2 Stk.) | | |
| 7 | G00042012 | E07132 | 8 | Detent edge disc (4 Stk.) | | |
| 8 | G06720016 | E07731 | 1 | Hood disc | | |
| 9 | G00009100 | E07874 | 8 | Countersunk screw with inside Torx (3 St | | |
| 11 | G07880006 | E03957 | 10 | Disc (20 Stk.) | | |
| 12 | G07846001 | E01912 | 6 | Self-locking hex nut (10 Stk.) | | |
| 13 | G00019056 | E06499 | 2 | Gasket (2 Stk.) | | |
| 14 | G07847015 | E03928 | 1 | Supporting disc | | |
| 15 | G00028023 | E06496 | 2 | Plastic bush | | |
| 16 | G06525301 | E06500 | 1 | Belt pulley dw 200 total | | |
| 17 | G07865011 | E06649 | 1 | Feather key | | |
| 18 | G07865012 | E06648 | 1 | Feather key (2 Stk.) | | |
| 19 | G06525321 | E06380 | 1 | Belt pulley dw 145 total | | |
| 20 | G07861004 | E07213 | 2 | Disc | | |
| 23 | G00009097 | E07718 | 2 | Locking screw | | |
| 24 | G06525316 | E07238 | 1 | Replaced by E06501 | | |
| → | G06580006 | E06501 | 1 | Return roller total with bush | | |
| 25 | G00024018 | E06638 | 1 | Sleeve with collar | | |
| 26 | G07827017 | E06612 | 1 | Mushroom head square neck bolt (3 Stk.) | | |
| 27 | G00007042 | E06037 | 1 | Selflocking nut with serrated bearing (3 | | |
| 28 | G06520346 | E08021 | 1 | Counter support | | |
| 29 | G00009094 | E07247 | 3 | Locking screw (2 Stk.) | | |
| 30 | G00007041 | E05975 | 3 | Selflocking nut with serrated bearing (3 | | |
| 31 | G07857025 | E07152 | 1 | V-belt | | |
| 32 | G06525312 | E06653 | 2 | Belt support | | |
| 33 | G00009016 | E04631 | 2 | Hexagon screw with serration (5 Stk.) | | |
| 34 | G00108009 | E05832 | 1 | Spacer nut (4 Stk.) | | |
| 35 | G07838026 | E03932 | 2 | Hexagon screw (10 Stk.) | | |
| 36 | G06534304 | E06506 | 1 | Brake lever bearing | | |
| 37 | G06525317 | E07682 | 1 | Bearing bolt | | |
| 38 | G07838009 | E01981 | 1 | Hexagon screw (5 Stk.) | | |
| 39 | G00010090 | E06652 | 1 | Disc (2 Stk.) | | |
| 40 | G06525318 | E08022 | 1 | Tensioning roller carrier total | | |
| 41 | G07847017 | E04350 | 1 | Supporting disc (5 Stk.) | | |
| 42 | G07822008 | E04351 | 1 | Circlip for shaft (20 Stk.) | | |
| 44 | G07847010 | E03113 | 1 | Shim (10 Stk.) | | |
| 45 | G07822005 | E03229 | 1 | Circlip for shaft (10 Stk.) | | |
| 46 | G07838028 | E03938 | 1 | Hexagon screw (10 Stk.) | | |
| 77 | G00009043 | E05833 | 5 | Cylinder screw (4 Stk.) | | |
| 79 | G00002040 | E06475 | 1 | Draw spring | | |
| 80 | G00002055 | E07546 | 1 | Draw spring | | |
| 81 | G00010092 | E06644 | 2 | Disc for blade shaft | | |
| 82 | G00033011 | E04965 | 2 | Disc spring | | |
| 83 | G06523312 | E06643 | 2 | Winding protection cover | | |
| 84 | G00019050 | E03076 | 4 | Slide washer (2 Stk.) | | |
| 85 | G06523318 | E10091 | 1 | Mulching blade 346 | | |
| 86 | G06523308 | E06412 | 1 | Mulching blade 286 | | |
| 87 | G06523309 | E06439 | 2 | Blade guide | | |
| 88 | G06523317 | E07146 | 1 | Blade 562 | | |
| 89 | G06523314 | E06737 | 1 | Blade 320 | | |
| 90 | G06123007 | E03145 | 2 | Pressure plate | | |

| | | | | | | |
|----|-----------|--------|---|-------------------|--|--|
| 91 | G00033008 | E03500 | 2 | Disc spring | | |
| 92 | G06323016 | E03739 | 2 | Tab washer | | |
| 93 | G06323008 | E03460 | 2 | Special screw | | |
| 95 | G06534038 | E11897 | 1 | Brake lever total | | |



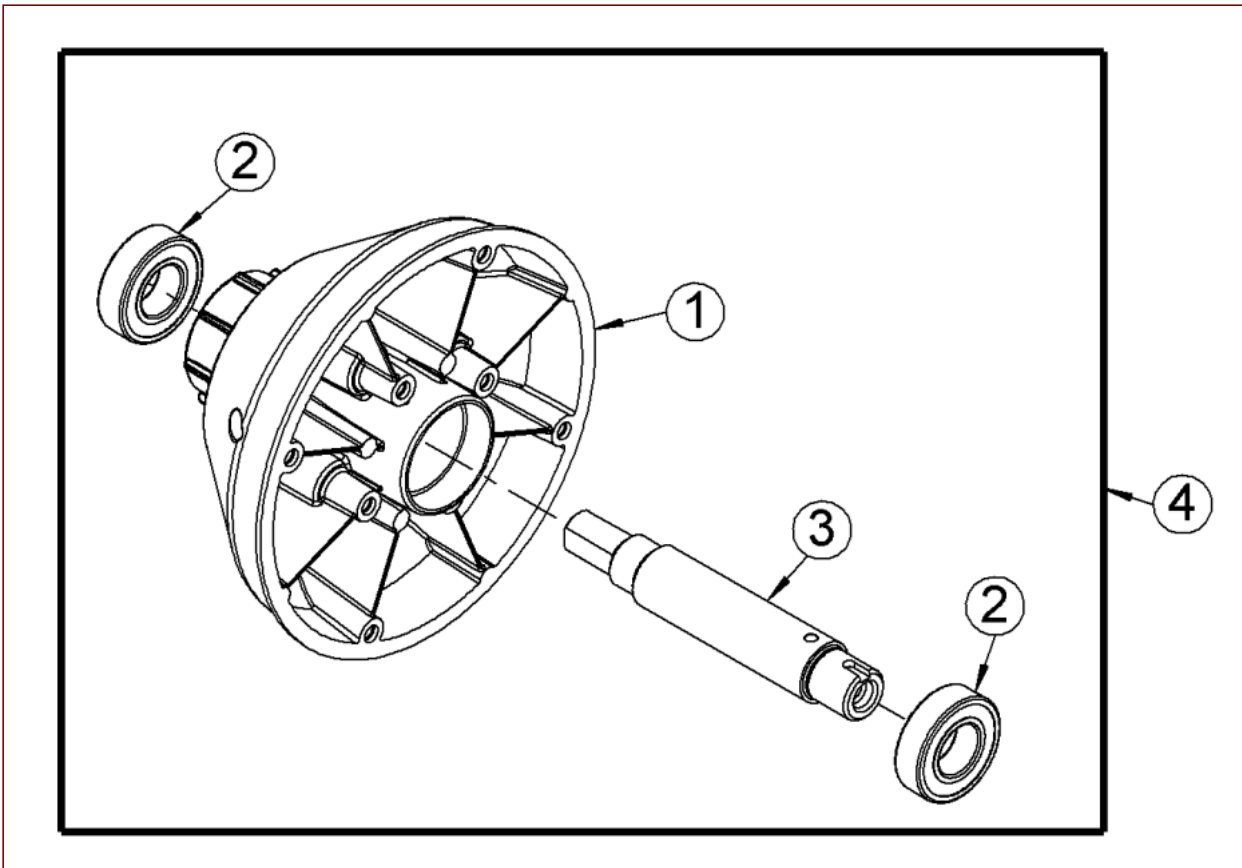
AS 84 Mulchmeister 4T B&S and AS 84/3 LB – Documentation spare parts – Blade cover Fig.2

| Pos | Art-Nr. | E-Nr. | Menge | Beschreibung | Modell | Info |
|-----|-----------|--------|-------|--|--------|------|
| 1 | G06520341 | | 1 | | | |
| 11 | G07880006 | E03957 | 2 | Disc (20 Stk.) | | |
| 12 | G07846001 | E01912 | 12 | Self-locking hex nut (10 Stk.) | | |
| 20 | G07861004 | E07213 | 6 | Disc | | |
| 21 | G07846006 | E01972 | 2 | Self-locking hex nut (2 Stk.) | | |
| 29 | G00009094 | E07247 | 6 | Locking screw (2 Stk.) | | |
| 30 | G00007041 | E05975 | 19 | Selflocking nut with serrated bearing (3 | | |
| 33 | G00009016 | E04631 | 13 | Hexagon screw with serration (5 Stk.) | | |
| 35 | G07838026 | E03932 | 1 | Hexagon screw (10 Stk.) | | |
| 46 | G07838028 | E03938 | 4 | Hexagon screw (10 Stk.) | | |
| 47 | G06520330 | E07234 | 1 | Hood brace | | |
| 48 | G06526310 | E07151 | 1 | Protection skirt front | | |
| 49 | G07704115 | E07164 | 1 | Protection skirt tube | | |
| 50 | G00034023 | E07177 | 1 | Clip | | |
| 51 | G00010084 | E03710 | 7 | Disc (10 Stk.) | | |
| 52 | G06522507 | E07189 | 2 | Bearing | | |
| 53 | G06522327 | E08339 | 2 | Wheel strut total | | |
| 54 | G06522328 | E08341 | 1 | Adjustment brace total | | |
| 55 | G07837018 | E03905 | 2 | Hexagon screw (3 Stk.) | | |
| 56 | G06522316 | E07160 | 2 | Bar bolt | | |
| 57 | G06522322 | E07172 | 1 | Spindle | | |
| 58 | G00010102 | E07221 | 2 | Thrust washer | | |
| 59 | G06520331 | E07240 | 1 | Angle | | |
| 60 | G06520343 | E08340 | 1 | Crank total | | |
| 61 | G00010133 | E12385 | 1 | Disc | | |
| 62 | G06522320 | E07162 | 1 | Front wheel brace | | |
| 63 | G06522326 | E07214 | 4 | Connector | | |
| 64 | G07837020 | E03924 | 6 | Hexagon screw (4 Stk.) | | |
| 65 | G06522506 | E07167 | 2 | Wheel fork | | |
| 66 | G06522323 | E07173 | 2 | Wheel fork bolt | | |
| 67 | G07837065 | E07226 | 2 | Hexagon screw | | |
| 68 | G06521305 | E07241 | 2 | Front wheel | | |
| 69 | G06521302 | E06511 | 2 | Hub tube | | |
| 70 | G07837055 | E06661 | 2 | Hexagon screw | | |
| 71 | G07846005 | E01968 | 2 | Self-locking hex nut (10 Stk.) | | |
| 72 | G06526303 | E06386 | 1 | Protection skirt rear | | |
| 73 | G06326042 | E05762 | 1 | Reinforcement plate | | |
| 74 | G06126032 | E06001 | 1 | Reinforcement plate | | |
| 75 | G06526019 | E06586 | 1 | Covering sheet | | |
| 76 | G07880007 | E03960 | 7 | Disc (20 Stk.) | | |
| 78 | G00012021 | E06747 | 7 | Blind rivet | | |
| 79 | G00002040 | E06475 | 1 | Draw spring | | |
| 80 | G00002055 | E07546 | 1 | Draw spring | | |
| 81 | G07887001 | E04074 | 2 | Ring nut | | |



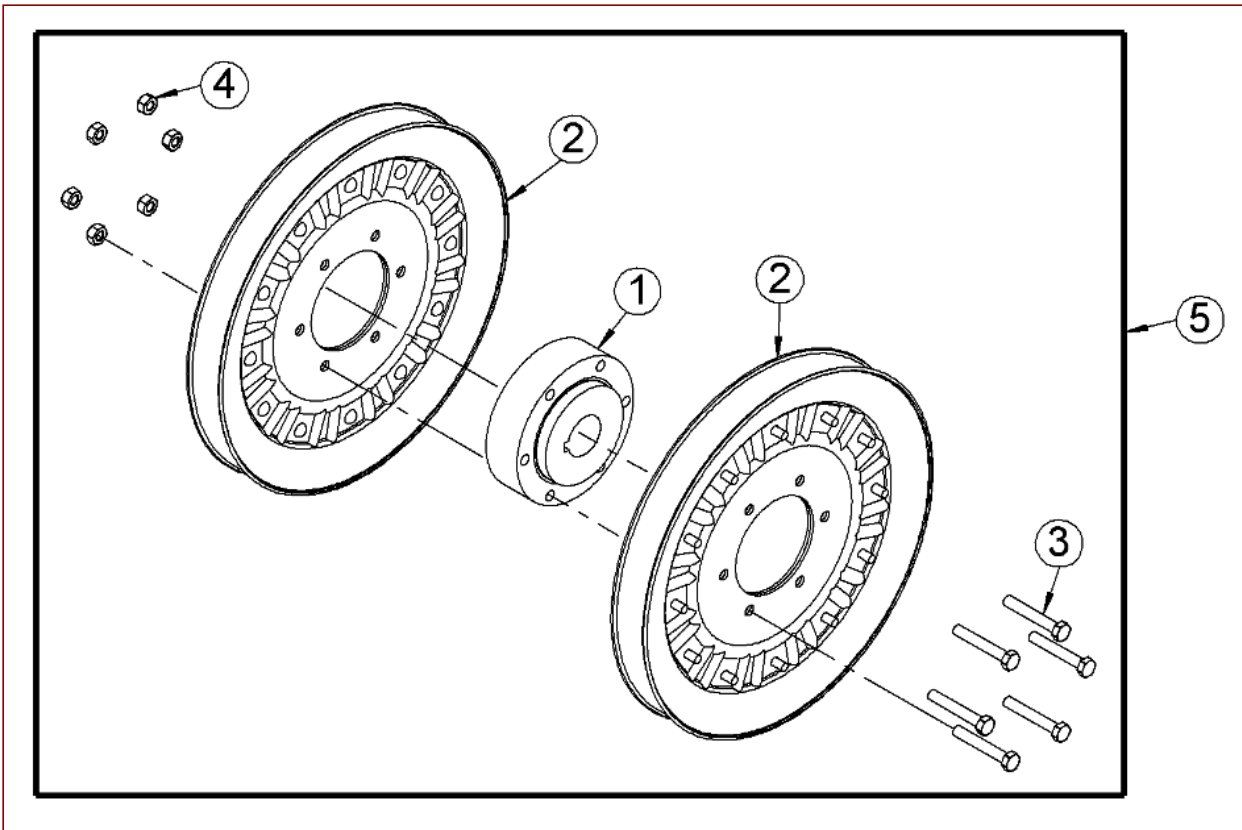
AS 84/2 LB – ET documentation – Blade bearing 1 complete

| Pos | Art-Nr. | E-Nr. | Menge | Beschreibung | Modell | Info |
|------------|----------------|--------------|--------------|--------------------------|---------------|-------------|
| 1 | G06523302 | E06662 | 1 | Blade baring | | |
| 2 | G07830026 | E04436 | 2 | Deep groove ball bearing | | |
| 3 | G06523304 | E06663 | 1 | Blade shaft 1 | | |
| 4 | G06523301 | E06497 | 1 | Blade bearing 1 total | | |



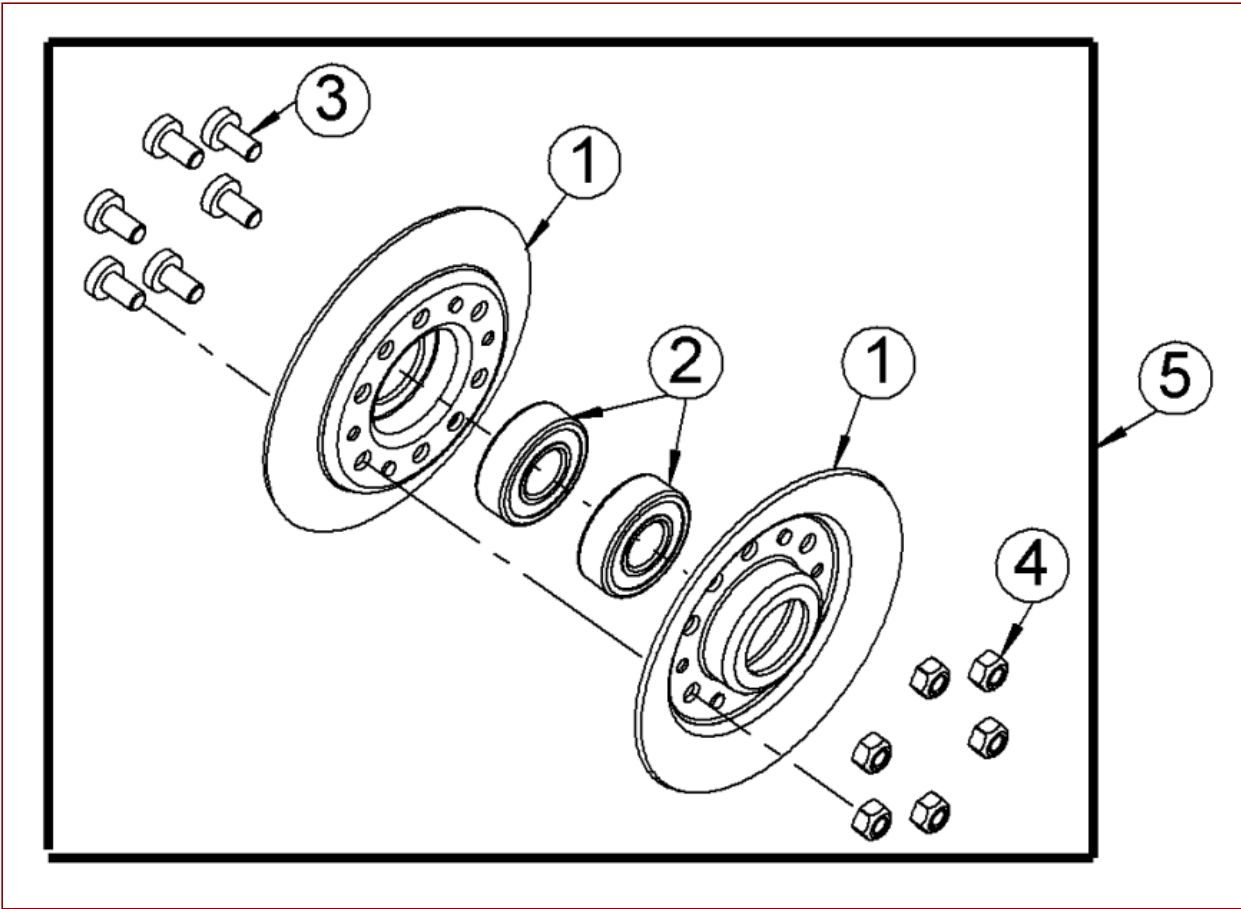
AS 84/2 LB – ET documentation – Blade bearing 2 complete

| Pos | Art-Nr. | E-Nr. | Menge | Beschreibung | Modell | Info |
|------------|----------------|--------------|--------------|--------------------------|---------------|-------------|
| 1 | G06523302 | E06662 | 1 | Blade baring | | |
| 2 | G07830026 | E04436 | 2 | Deep groove ball bearing | | |
| 3 | G06523306 | E06664 | 1 | Blade shaft 2 | | |
| 4 | G06523305 | E06498 | 1 | Blade bearing 2 total | | |




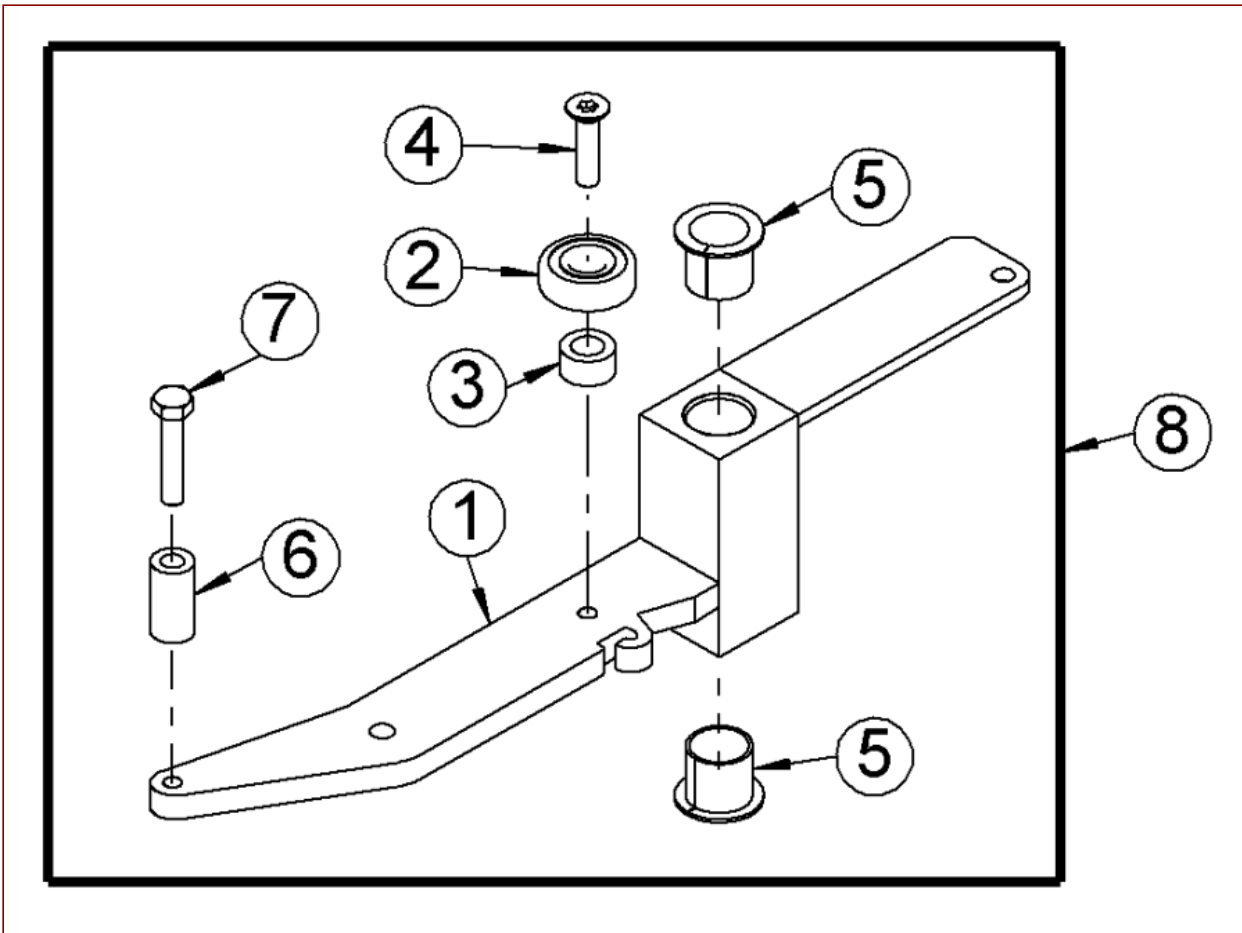
AS 84/2 LB – ET documentation – Belt pulley 200 complete

| Pos | Art-Nr. | E-Nr. | Menge | Beschreibung | Modell | Info |
|-----|-----------|--------|-------|--------------------------------------|--------|------|
| 1 | G06525302 | E06665 | 1 | Belt pulley hub engine blade shaft 1 | | |
| 2 | G00525001 | E06666 | 2 | Belt pulley dw 200 | | |
| 3 | G07837008 | E02926 | 6 | Hexagon screw (10 Stk.) | | |
| 4 | G07906002 | E06667 | 6 | Self-locking hex nut (10 Stk.) | | |
| 5 | G06525301 | E06500 | 1 | Belt pulley dw 200 total | | |



AS 84/2 LB – ET documentation – Return roller complete

| Pos | Art-Nr. | E-Nr. | Menge | Beschreibung | Modell | Info |
|---|----------------------|-------------------|-------|--|--------|------|
| 1 | G06525315 | E06751 | 2 | Return roller half | | |
| 2 | G07830027 | E06752 | 2 | Deep groove ball bearing | | |
| 3 | G00009083 | E06753 | 6 | Rounded head screw with inside Torx (2 S | | |
| 4 | G07906002 | E06667 | 6 | Self-locking hex nut (10 Stk.) | | |
| 5 | G06525316 | E07238 | 1 | Replaced by E06501 | | |
|  | G06580006 | E06501 | 1 | Return roller total with bush | | |



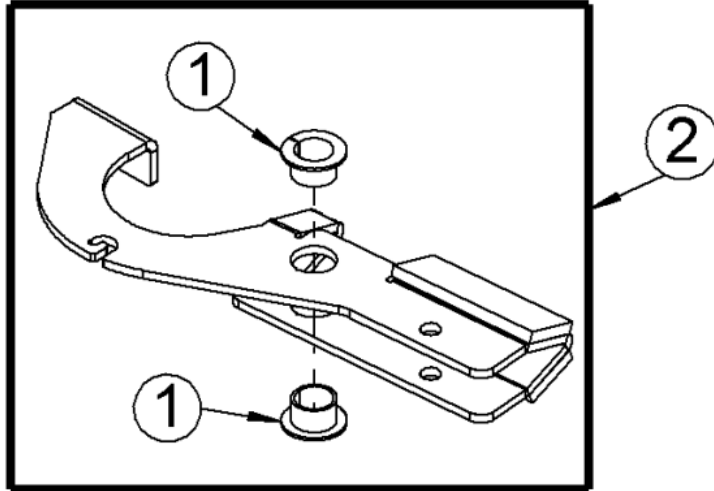
AS 84/2 LB – ET documentation – Tensioning roller carrier complete

| Pos | Art-Nr. | E-Nr. | Menge | Beschreibung | Modell | Info |
|-----|-----------|--------|-------|------------------------------------|--------|------|
| 1 | G06525319 | E08023 | 1 | Tensioning roller carrier | | |
| 2 | G07830014 | E04345 | 1 | Deep groove ball bearing | | |
| 3 | G00024008 | E06102 | 1 | Spacer sleeve | | |
| 4 | G00009104 | E08053 | 1 | Countersunk screw with inside Torx | | |
| 5 | G00028025 | E06504 | 2 | DU flanged bush | | |
| 6 | G00024006 | E05722 | 1 | Spacer sleeve | | |
| 7 | G07838027 | E03933 | 1 | Hexagon screw (10 Stk.) | | |
| 8 | G06525318 | E08022 | 1 | Tensioning roller carrier total | | |

Bremshebel vollst.

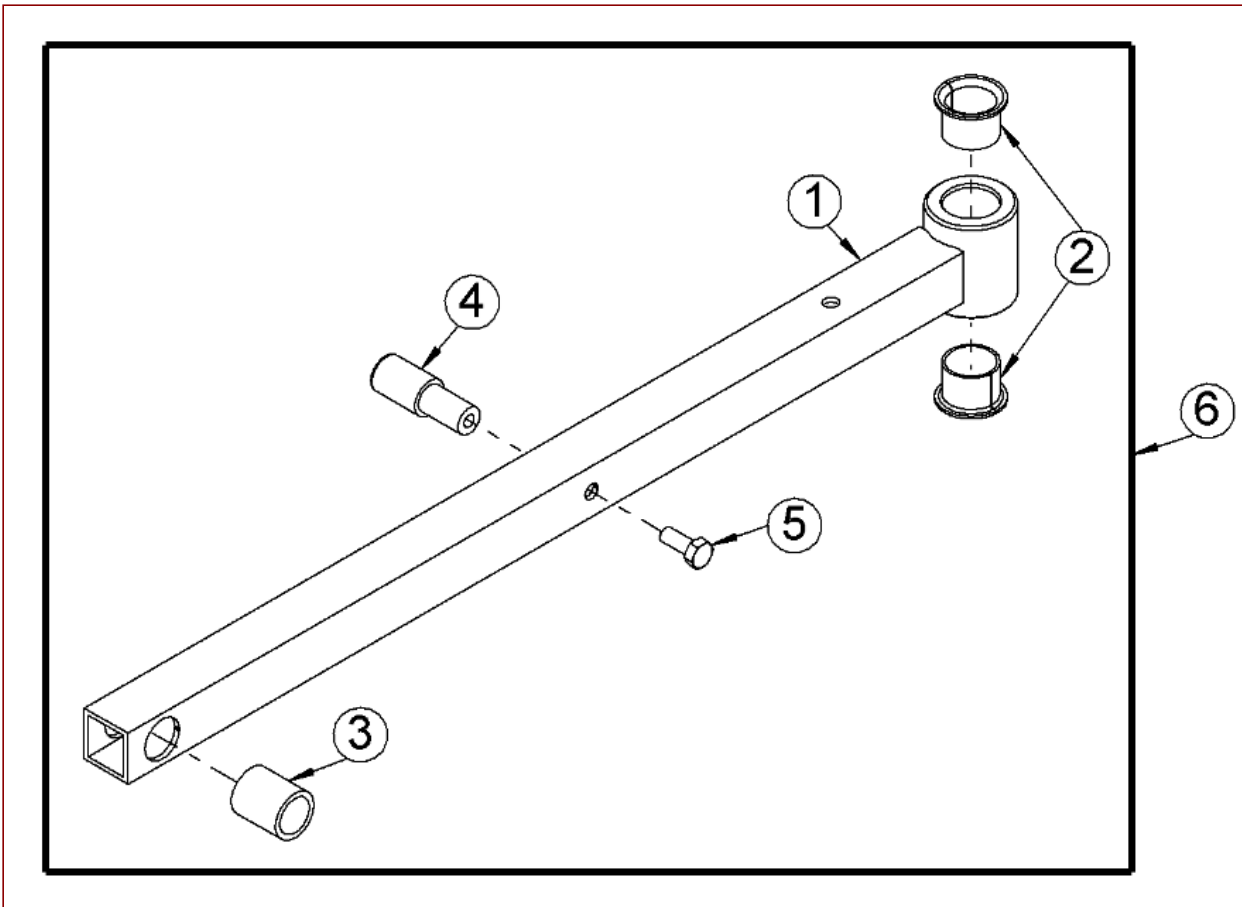
AS 84/2 LB ab Serien Nr. 0147 11 05 0001

AS 84/3 LB ab Serien Nr. 0267 14 01 0001



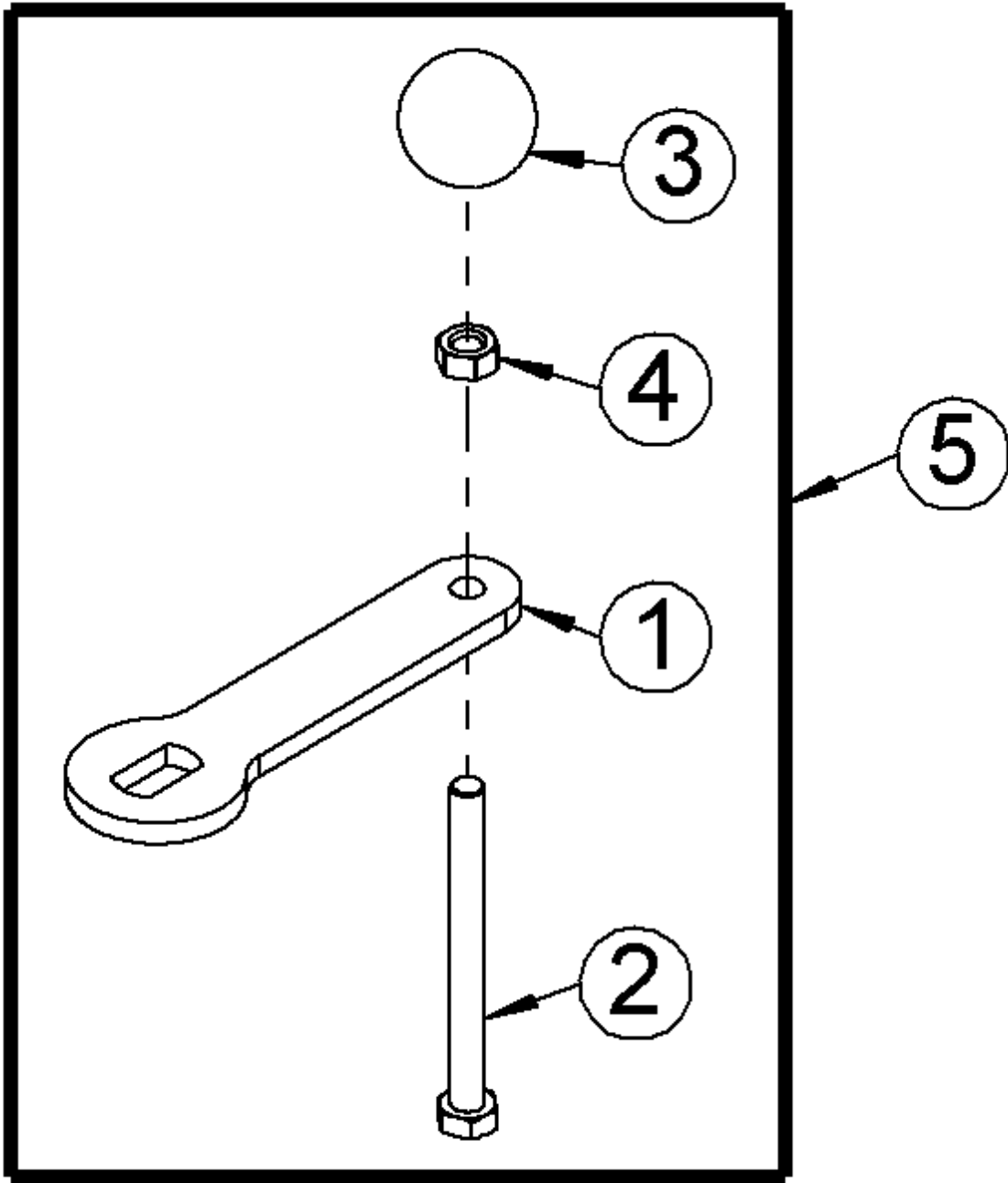
AS 84/2 LB – ET documentation – Brake lever complete

| Pos | Art-Nr. | E-Nr. | Menge | Beschreibung | Modell | Info |
|------------|----------------|--------------|--------------|---------------------|---------------|-------------|
| 1 | G00028026 | E06508 | 2 | DU flanged bush | | |
| 2 | G06534038 | E11897 | 1 | Brake lever total | | |



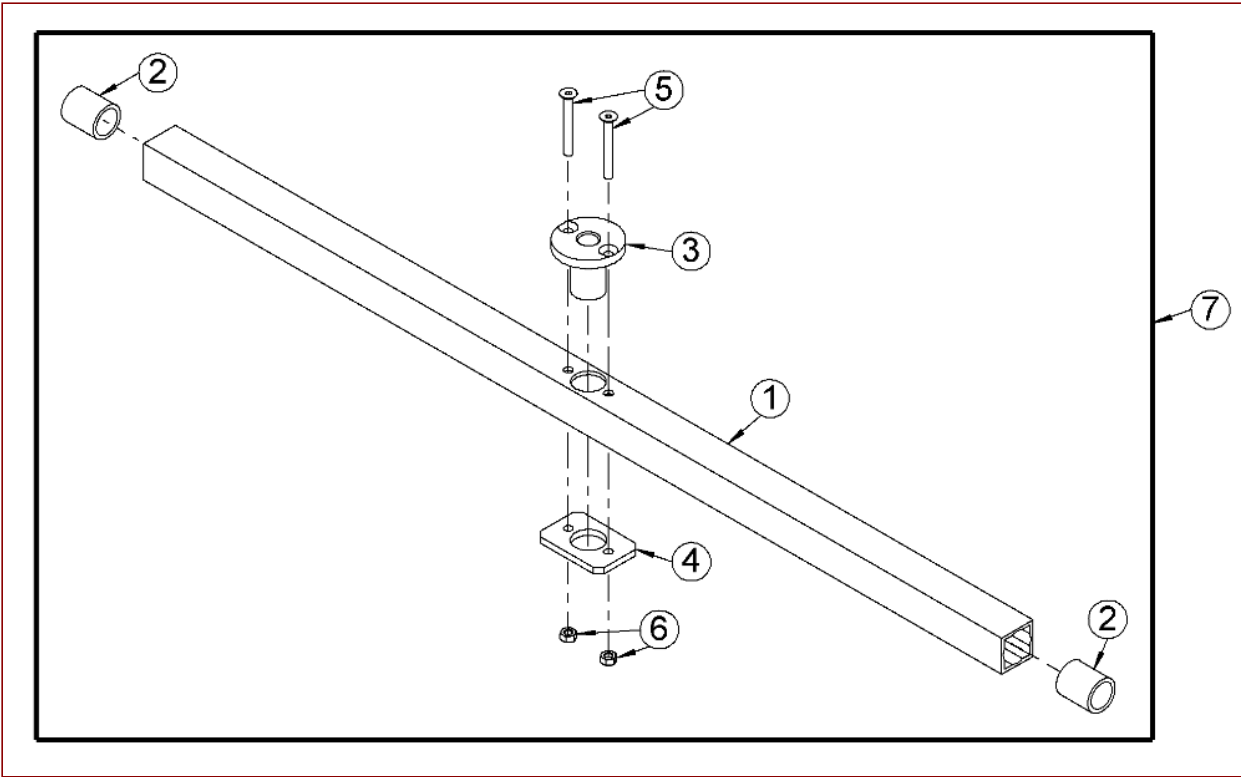
AS 84/2 LB – ET documentation – Wheel strut complete

| Pos | Art-Nr. | E-Nr. | Menge | Beschreibung | Modell | Info |
|------------|----------------|--------------|--------------|-------------------------|---------------|-------------|
| 1 | G06522321 | E07163 | 1 | Wheel strut total | | |
| 2 | G00028030 | E07204 | 2 | DU flanged bush | | |
| 3 | G00028031 | E07222 | 1 | Friction bearing | | |
| 4 | G06522315 | E07159 | 1 | Bearing bolt | | |
| 5 | G07838028 | E03938 | 1 | Hexagon screw (10 Stk.) | | |
| 6 | G06522327 | E08339 | 1 | Wheel strut total | | |



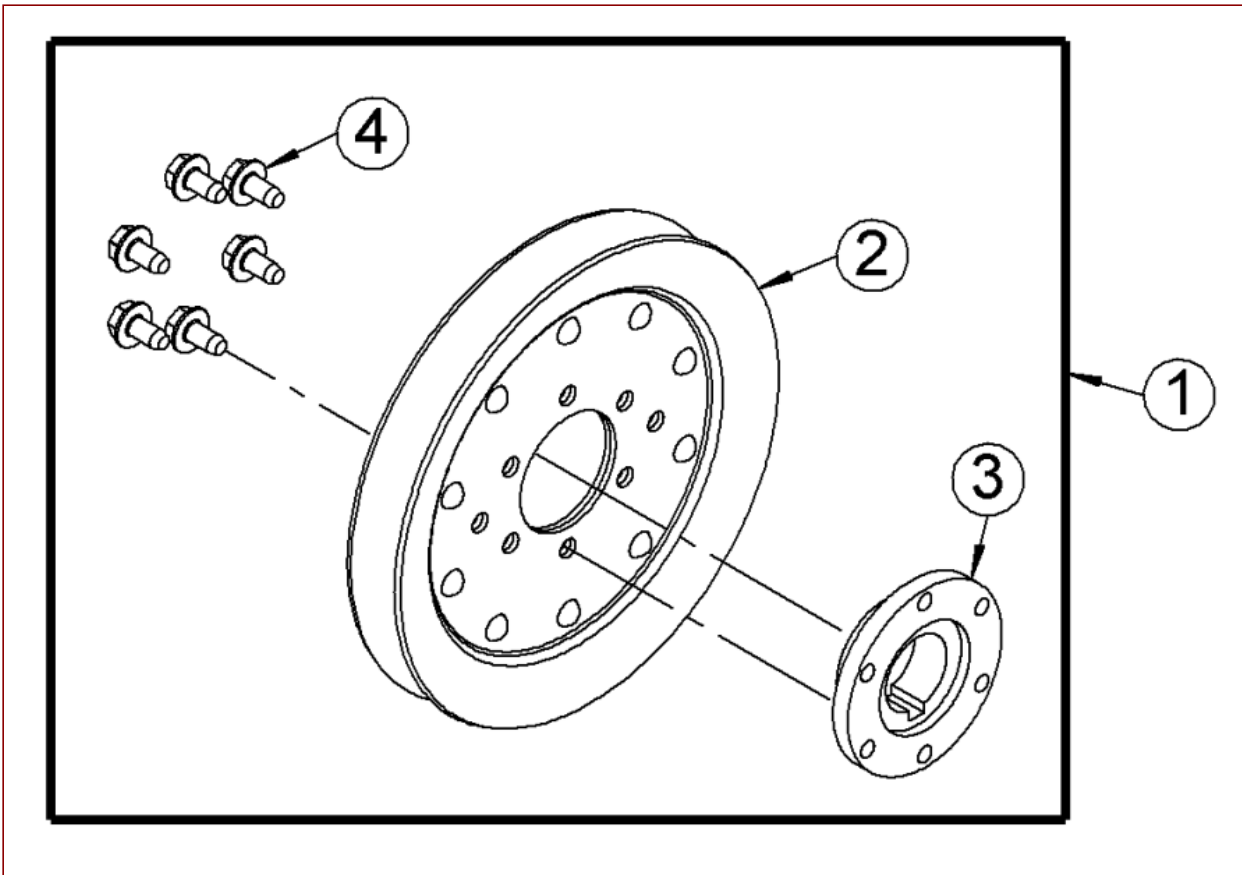
AS 84/2 LB – ET documentation – Crankshaft complete

| Pos | Art-Nr. | E-Nr. | Menge | Beschreibung | Modell | Info |
|------------|----------------|--------------|--------------|------------------------|---------------|-------------|
| 1 | G06520332 | E07186 | 1 | Crank | | |
| 2 | G07837049 | E06873 | 1 | Hexagon screw (2 Stk.) | | |
| 3 | G07917001 | E07245 | 1 | Spherical button | | |
| 4 | G07839003 | E01906 | 1 | Hex nut (10 Stk.) | | |
| 5 | G06520343 | E08340 | 1 | Crank total | | |



AS 84/2 LB – ET documentation – Adjustment brace complete

| Pos | Art-Nr. | E-Nr. | Menge | Beschreibung | Modell | Info |
|-----|-----------|--------|-------|---------------------------------------|--------|------|
| 1 | G06522319 | E07161 | 1 | Adjustment brace | | |
| 2 | G00028031 | E07222 | 2 | Friction bearing | | |
| 3 | G06522324 | E07174 | 1 | Flange nut | | |
| 4 | G06522325 | E07183 | 1 | Tensioning plate | | |
| 5 | G07879008 | E07223 | 2 | Countersunk screw with hexagon socket | | |
| 6 | G07906002 | E06667 | 2 | Self-locking hex nut (10 Stk.) | | |
| 7 | G06522328 | E08341 | 1 | Adjustment brace total | | |



AS 84/2 LB – ET documentation – Belt pulley 145 complete

| Pos | Art-Nr. | E-Nr. | Menge | Beschreibung | Modell | Info |
|------------|----------------|--------------|--------------|-------------------------------------|---------------|-------------|
| 1 | G06525321 | E06380 | 1 | Belt pulley dw 145 total | | |
| 2 | G06725045 | E08058 | 1 | Belt pulley dw 145 | | |
| 3 | G06525322 | E08274 | 1 | Blade shaft hub | | |
| 4 | G07890025 | E06093 | 6 | Flanged self-tapping screw (2 Stk.) | | |



| Pos.Nr. | ET-Nr. | Benennung |
|---------|--------|----------------------------------|
| 1 | E12752 | Aufkleber - Set AS 65; 73 und 84 |

AS 65/2T from serial No. 014902303001 – ET documentation – Instruction plate - set

| Pos | Art-Nr. | E-Nr. | Menge | Beschreibung | Modell | Info |
|------------|----------------|--------------|--------------|--|---------------|-------------|
| 1 | G06780017 | E12752 | 1 | Instruction plate-set AS 65, 73 und 84 | | |