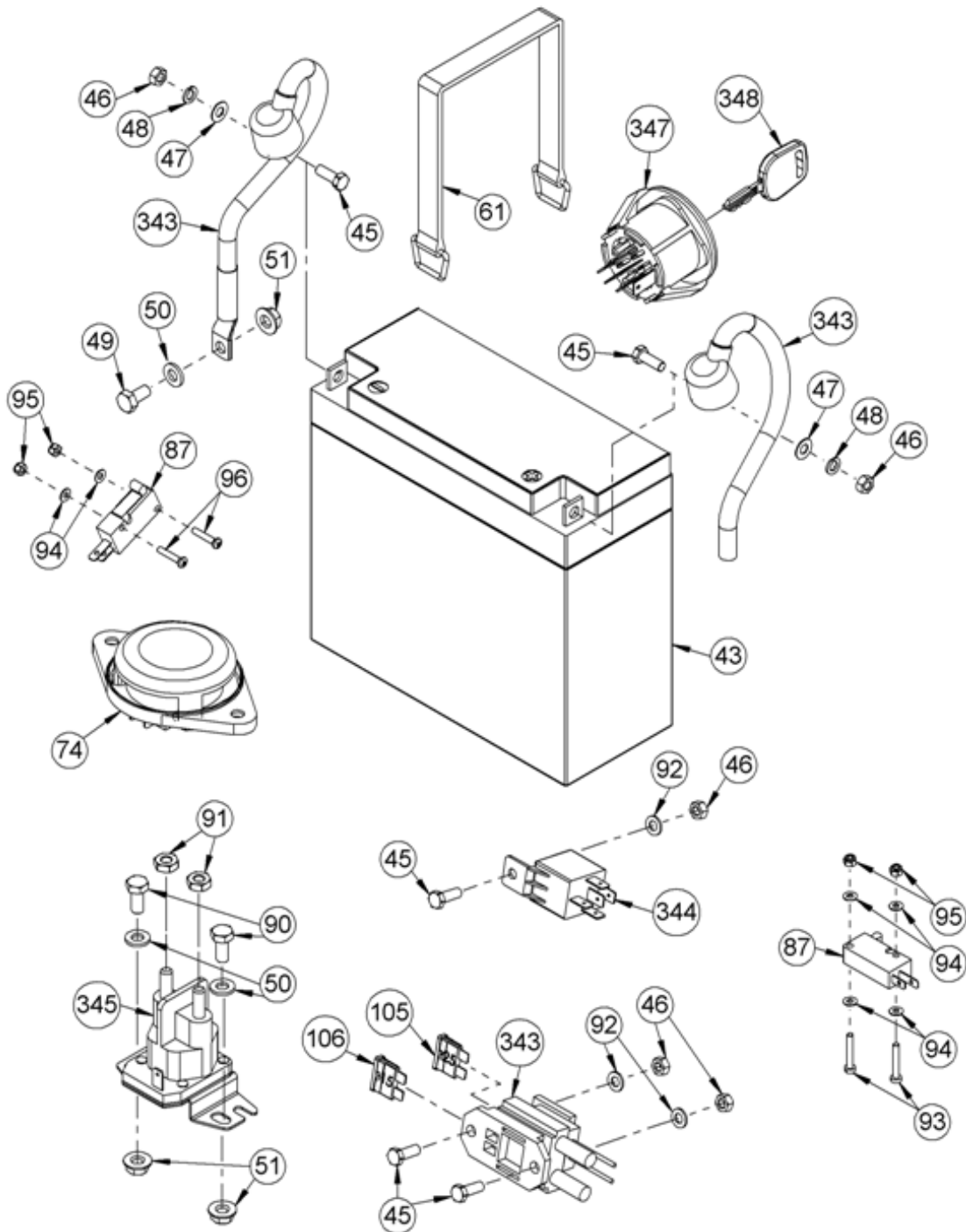


## AS 800 / AS 799 Elektrische Anlage

ab Serien Nr.: 016010090005

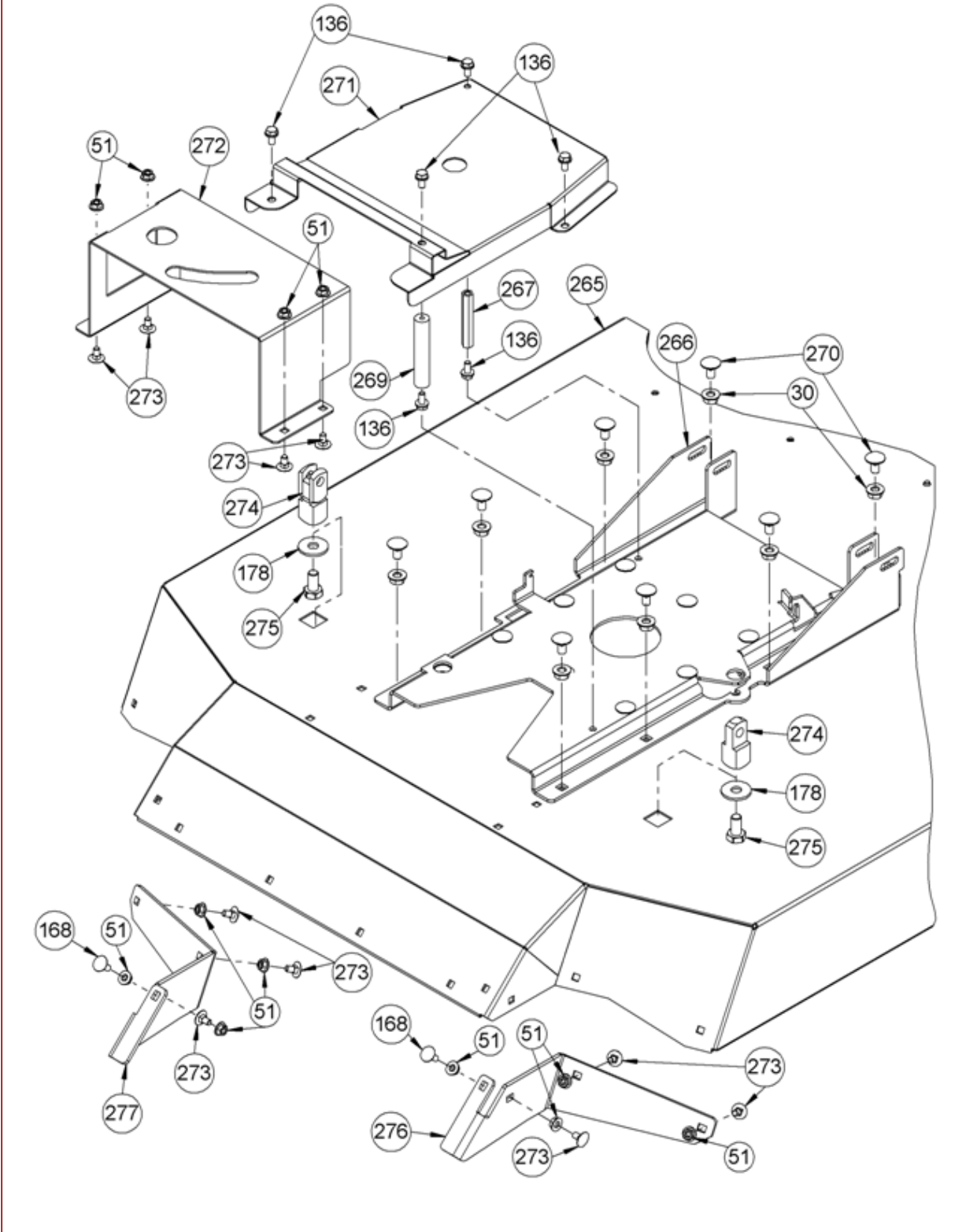
ab Serien Nr.: 026613080001



## AS 799 Rider – ET documentation – Electrical system

| Pos | Art-Nr.   | E-Nr.  | Menge | Beschreibung                             | Modell | Info |
|-----|-----------|--------|-------|--|--------|------|
| 43  | G06850039 | E08542 | 1     | Battery                                  |        |      |
| 45  | G07838078 | E08505 | 5     | Hexagon screw (10 Stk.)                  |        |      |
| 46  | G07839007 | E01950 | 5     | Hex nut (10 Stk.)                        |        |      |
| 47  | G00010110 | E08529 | 2     | Disc (5 Stk.)                            |        |      |
| 48  | G07811006 | E01908 | 2     | Spring washer (20 Stk.)                  |        |      |
| 49  | G07838015 | E03959 | 1     | Hexagon screw (10 Stk.)                  |        |      |
| 50  | G07809006 | E01940 | 3     | Disc (10 Stk.)                           |        |      |
| 51  | G00007041 | E05975 | 3     | Selflocking nut with serrated bearing (3 |        |      |
| 61  | G00008117 | E08530 | 1     | Rubber band                              |        |      |
| 74  | G06650532 | E08160 | 1     | Seat contact switch                      |        |      |
| 87  | G06927006 | E08536 | 2     | Switch                                   |        |      |
| 90  | G07838064 | E07628 | 2     | Hexagon screw (2 Stk.)                   |        |      |
| 91  | G00007058 | E08539 | 2     | Inch nut (5 Stk.)                        |        |      |
| 92  | G07809003 | E01181 | 3     | Disc (20 Stk.)                           |        |      |
| 93  | G07802039 | E04866 | 2     | Cylinder screw (5 Stk.)                  |        |      |
| 94  | G07809002 | E01109 | 6     | Disc (10 Stk.)                           |        |      |
| 95  | G07846016 | E08540 | 2     | Self-locking hex nut (5 Stk.)            |        |      |
| 96  | G07878021 | E08541 | 2     | Raised cross-head screw (3 Stk.)         |        |      |
| 105 | G06650539 | E08173 | 1     | Fuse 25 A (alternator)                   |        |      |
| 106 | G06650354 | E07564 | 1     | Fuse 15 A (Main fuse)                    |        |      |
| 343 | G06850048 | E11017 | 1     | Cable loom                               |        |      |
| 344 | G06650817 | E10659 | 1     | Relay                                    |        |      |
| 345 | G06927007 | E10660 | 1     | Relay large                              |        |      |
| 347 | G06650951 | E11014 | 1     | Ignition switch without key              |        |      |
| 348 | G06650952 | E11015 | 1     | Ignition key                             |        |      |

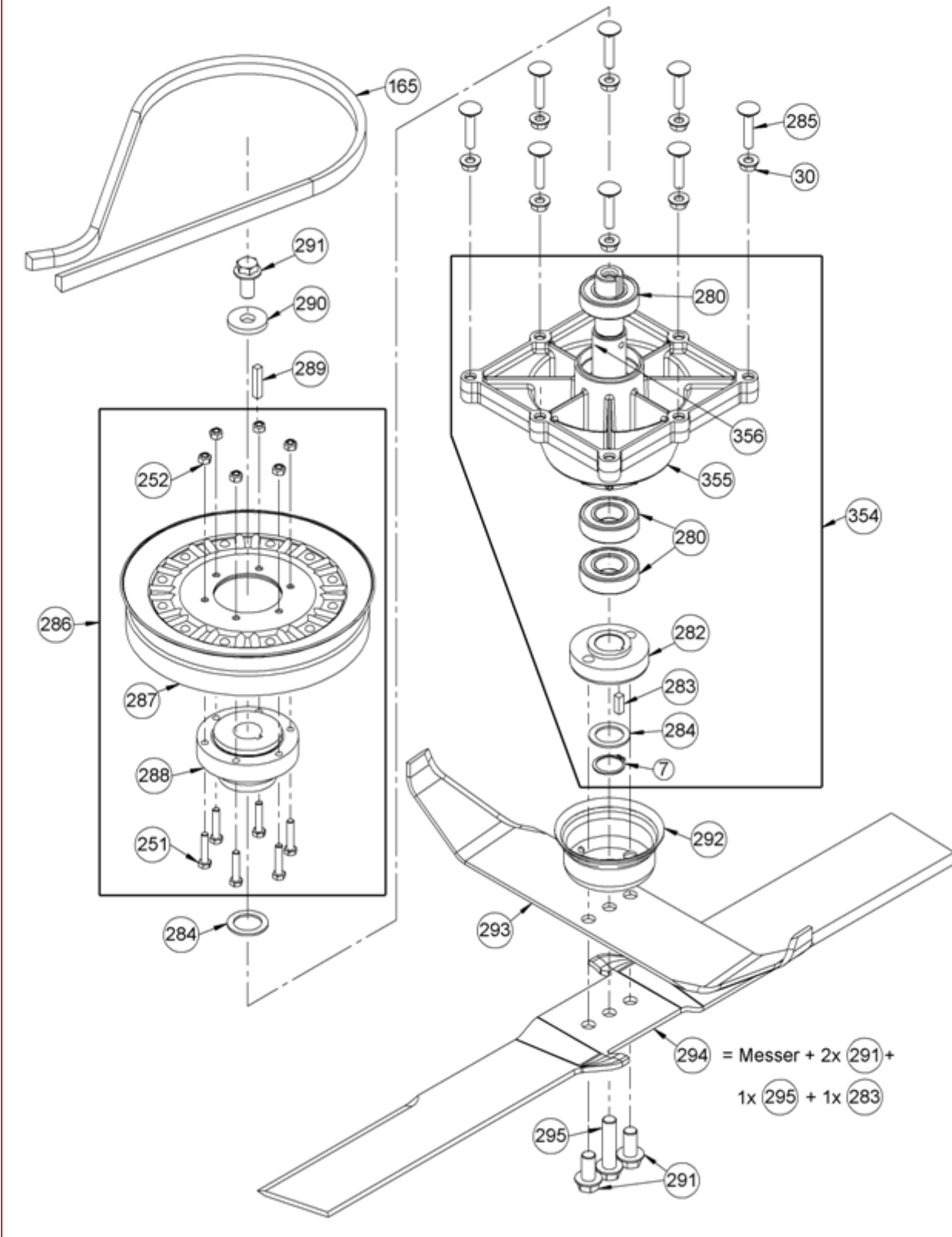
### AS 800 / AS 799 Messerhaube



AS 799 Rider – ET documentation – Blade cover

| Pos | Art-Nr.   | E-Nr.  | Menge | Beschreibung                             | Modell | Info |
|-----|-----------|--------|-------|--|--------|------|
| 30  | G00007042 | E06037 | 8     | Selflocking nut with serrated bearing (3 |        |      |
| 51  | G00007041 | E05975 | 12    | Selflocking nut with serrated bearing (3 |        |      |
| 136 | G00009016 | E04631 | 6     | Hexagon screw with serration (5 Stk.)    |        |      |
| 168 | G07827003 | E04262 | 2     | Mushroom head square neck bolt (5 Stk.)  |        |      |
| 178 | G07880001 | E01980 | 2     | Disc (10 Stk.)                           |        |      |
| 265 | G06820005 | E08383 | 1     | Blade hood                               |        |      |
| 266 | G06820008 | E08406 | 1     | Hood carrier                             |        |      |
| 267 | G04526018 | E06907 | 1     | Spacer pin                               |        |      |
| 269 | G06525312 | E06653 | 1     | Belt support                             |        |      |
| 270 | G07827018 | E08387 | 8     | Mushroom head square neck bolt (10 Stk.) |        |      |
| 271 | G06826001 | E08398 | 1     | Belt cover                               |        |      |
| 272 | G06826016 | E08468 | 1     | Access protection                        |        |      |
| 273 | G07827008 | E04991 | 12    | Mushroom head square neck bolt (3 Stk.)  |        |      |
| 274 | G06822005 | E08399 | 2     | Fork head counter piece                  |        |      |
| 275 | G07838025 | E03930 | 2     | Hexagon screw (5 Stk.)                   |        |      |
| 276 | G06820016 | E08470 | 1     | Hood corner right                        |        |      |
| 277 | G06820015 | E08469 | 1     | Hood corner left                         |        |      |

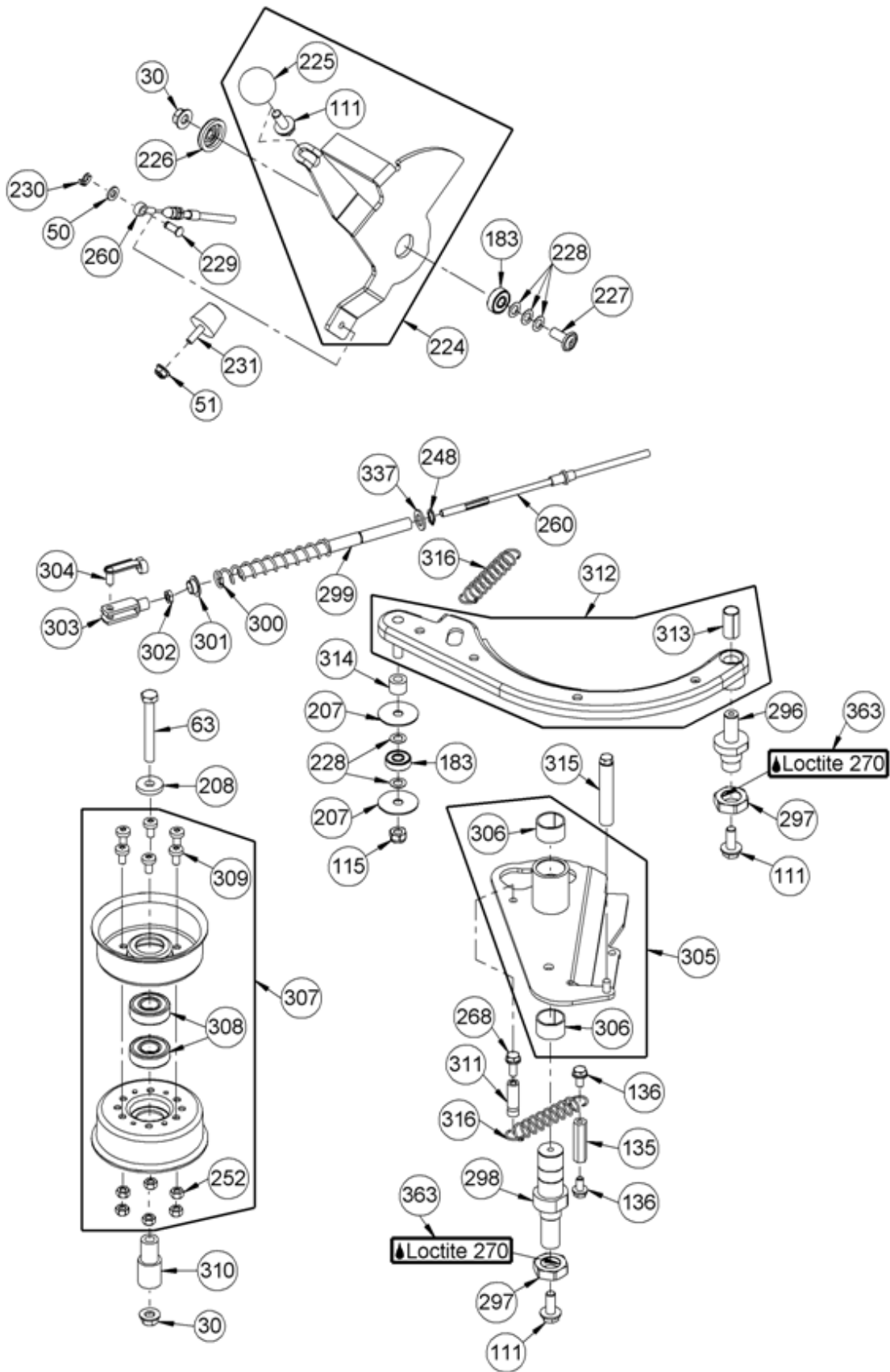
### AS 800 Messer mit Antrieb



AS 800 FreeRider from serial No. 016014040001 – ET documentation – Blades with drive

| Pos | Art-Nr.   | E-Nr.  | Menge | Beschreibung                             | Modell | Info |
|-----|-----------|--------|-------|--|--------|------|
| 7   | G07822001 | E02116 | 1     | Circlip for shaft (5 Stk.)               |        |      |
| 30  | G00007042 | E06037 | 8     | Selflocking nut with serrated bearing (3 |        |      |
| 165 | G07857035 | E08304 | 1     | High performance V-belt                  |        |      |
| 251 | G07838027 | E03933 | 6     | Hexagon screw (10 Stk.)                  |        |      |
| 252 | G07906002 | E06667 | 6     | Self-locking hex nut (10 Stk.)           |        |      |
| 280 | G07830015 | E08351 | 3     | Deep groove ball bearing                 |        |      |
| 282 | G06723007 | E07707 | 1     | Cutter disc                              |        |      |
| 283 | G07865021 | E08293 | 1     | Feather key                              |        |      |
| 284 | G07847015 | E03928 | 1     | Supporting disc                          |        |      |
| 285 | G07827017 | E06612 | 8     | Mushroom head square neck bolt (3 Stk.)  |        |      |
| 286 | G06825017 | E08396 | 1     | Belt pulley total                        |        |      |
| 287 | G06825004 | E08397 | 1     | Belt pulley complete                     |        |      |
| 288 | G06725004 | E07531 | 1     | Belt pulley hub                          |        |      |
| 289 | G07865011 | E06649 | 1     | Feather key                              |        |      |
| 290 | G07861004 | E07213 | 1     | Disc                                     |        |      |
| 291 | G00009097 | E07718 | 2     | Locking screw                            |        |      |
| 292 | G06723006 | E07262 | 1     | Winding protection cover                 |        |      |
| 293 | G06823005 | E08405 | 1     | Mulching blade 434                       |        |      |
| 294 | G06880002 | E08343 | 1     | Blade AS 800 with bolts                  |        |      |
| 295 | G00009111 | E08291 | 1     | Locking screw                            |        |      |
| 354 | G06880009 | E13092 | 1     | Blade bearing with shaft+bearing         |        |      |
| 355 | G06823006 | E13091 | 1     | Blade baring                             |        |      |
| 356 | G06723015 | E13096 | 1     | Blade shaft                              |        |      |

### AS 800 / AS 799 Riemenstrammer, Bremshebel und Messerhebel

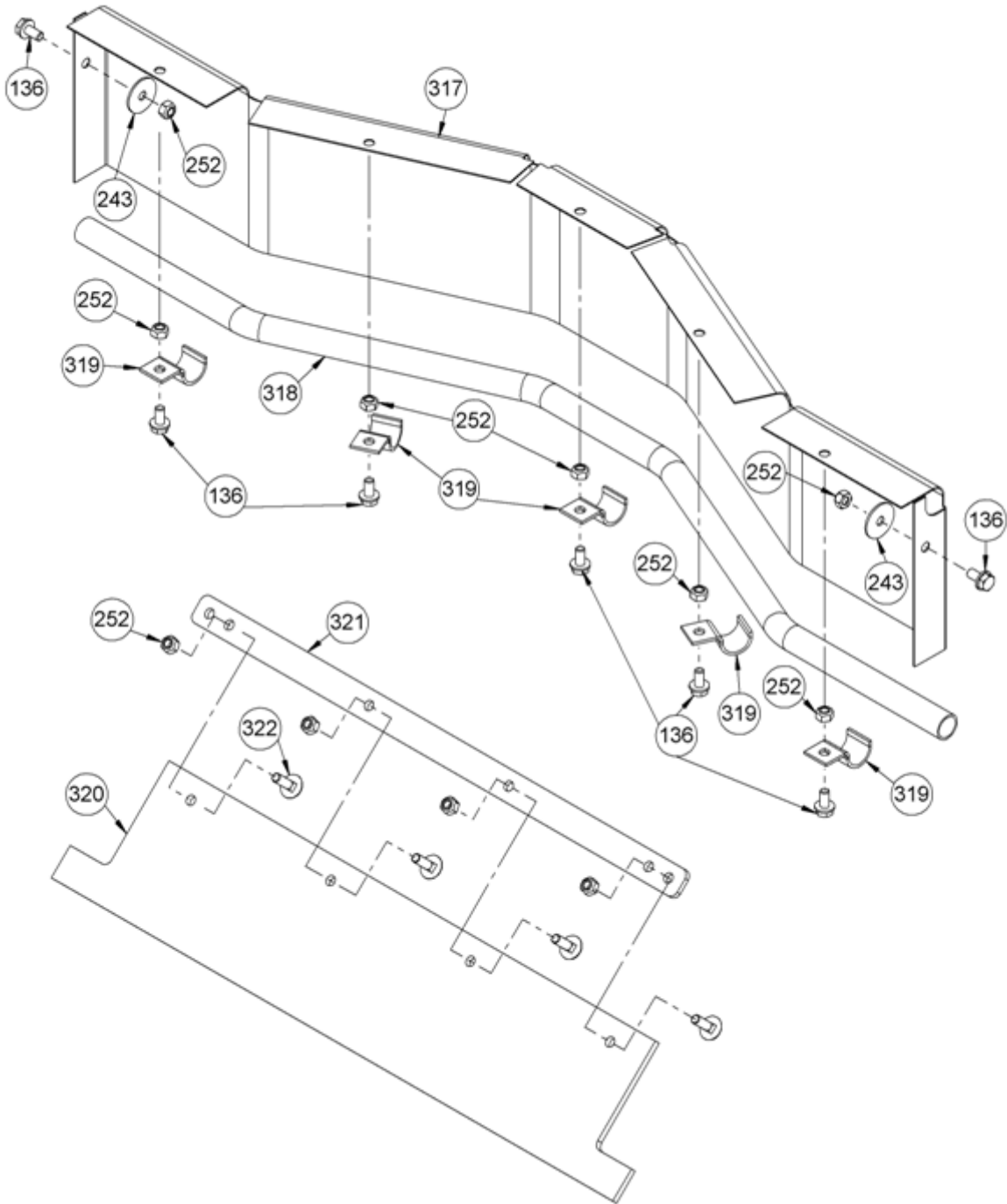


AS 800 FreeRider from serial No. 016014040001 – ET documentation – Belt tensioner, brake lever and blade lever

| Pos | Art-Nr.   | E-Nr.  | Menge | Beschreibung                             | Modell | Info |
|-----|-----------|--------|-------|--|--------|------|
| 30  | G00007042 | E06037 | 1     | Selflocking nut with serrated bearing (3 |        |      |
| 50  | G07809006 | E01940 | 1     | Disc (10 Stk.)                           |        |      |
| 51  | G00007041 | E05975 | 1     | Selflocking nut with serrated bearing (3 |        |      |
| 63  | G07837041 | E04944 | 1     | Hexagon screw (3 Stk.)                   |        |      |
| 111 | G00009108 | E08177 | 3     | Hexagon screw with serration (3 Stk.)    |        |      |
| 115 | G07846001 | E01912 | 1     | Self-locking hex nut (10 Stk.)           |        |      |
| 135 | G00007052 | E07876 | 1     | Connection nut (2 Stk.)                  |        |      |
| 136 | G00009016 | E04631 | 2     | Hexagon screw with serration (5 Stk.)    |        |      |
| 183 | G07830031 | E07211 | 2     | Deep groove ball bearing                 |        |      |
| 207 | G00010109 | E08394 | 2     | Mudguard washer (5 Stk.)                 |        |      |
| 208 | G07861006 | E07940 | 1     | Disc                                     |        |      |
| 224 | G06822019 | E08411 | 1     | Blade engagement lever total             |        |      |
| 225 | G07917001 | E07245 | 1     | Spherical button                         |        |      |
| 226 | G06822031 | E08449 | 1     | Bearing washer                           |        |      |
| 227 | G00009114 | E08450 | 1     | Raised flat-head screw                   |        |      |
| 228 | G07847036 | E05984 | 5     | Shim (10 Stk.)                           |        |      |
| 229 | G00012027 | E08451 | 1     | Bolt for anti-folding mechanism          |        |      |
| 230 | G00027016 | E08452 | 1     | Anti-folding mechanism (5 Stk.)          |        |      |
| 231 | G00008061 | E04597 | 1     | Stop buffer                              |        |      |
| 248 | G07822002 | E02650 | 1     | Circlip for shaft (5 Stk.)               |        |      |
| 252 | G07906002 | E06667 | 6     | Self-locking hex nut (10 Stk.)           |        |      |
| 260 | G00020122 | E08373 | 1     | Blade drive cable                        |        |      |
| 268 | G00009094 | E07247 | 1     | Locking screw (2 Stk.)                   |        |      |
| 296 | G06834001 | E08384 | 1     | Brake lever bearing                      |        |      |
| 297 | G07818008 | E07875 | 1     | Hex nut                                  |        |      |
| 298 | G06825018 | E08385 | 1     | Tension lever bearing                    |        |      |
| 299 | G06820010 | E08388 | 1     | Spring tube                              |        |      |
| 300 | G00001083 | E08389 | 1     | Pressure spring                          |        |      |
| 301 | G00028037 | E08390 | 1     | Friction bearing with collar             |        |      |
| 302 | G07818004 | E03917 | 1     | Hex nut (10 Stk.)                        |        |      |
| 303 | G07925001 | E08526 | 1     | Fork head                                |        |      |
| 304 | G00039003 | E08527 | 1     | Folding spring bolt                      |        |      |
| 305 | G06880001 | E08524 | 1     | Belt tensioner + DU bushes               |        |      |
| 306 | G00028001 | E02919 | 2     | DU bush (2 Stk.)                         |        |      |
| 307 | G06825013 | E08392 | 1     | Tension pulley with ball bearing         |        |      |
| 308 | G07830027 | E06752 | 2     | Deep groove ball bearing                 |        |      |
| 309 | G00009083 | E06753 | 6     | Rounded head screw with inside Torx (2 S |        |      |
| 310 | G06825014 | E08393 | 1     | Sleeve                                   |        |      |
| 311 | G04620002 | E06936 | 1     | Mounting bolt                            |        |      |
| 312 | G06734001 | E07699 | 1     | Brake lever with lining and DU bush      |        |      |
| 313 | G00028022 | E06364 | 1     | DU bush                                  |        |      |
| 314 | G00024029 | E07722 | 1     | Sleeve                                   |        |      |
| 315 | G06825016 | E08395 | 1     | Belt guide                               |        |      |
| 316 | G00002056 | E07867 | 1     | Draw spring                              |        |      |
| 337 | G07816006 | E04214 | 1     | Disc (20 Stk.)                           |        |      |
| 363 | G00041008 | E04721 | 1     | LOCTITE 270 (50 ml)                      |        |      |



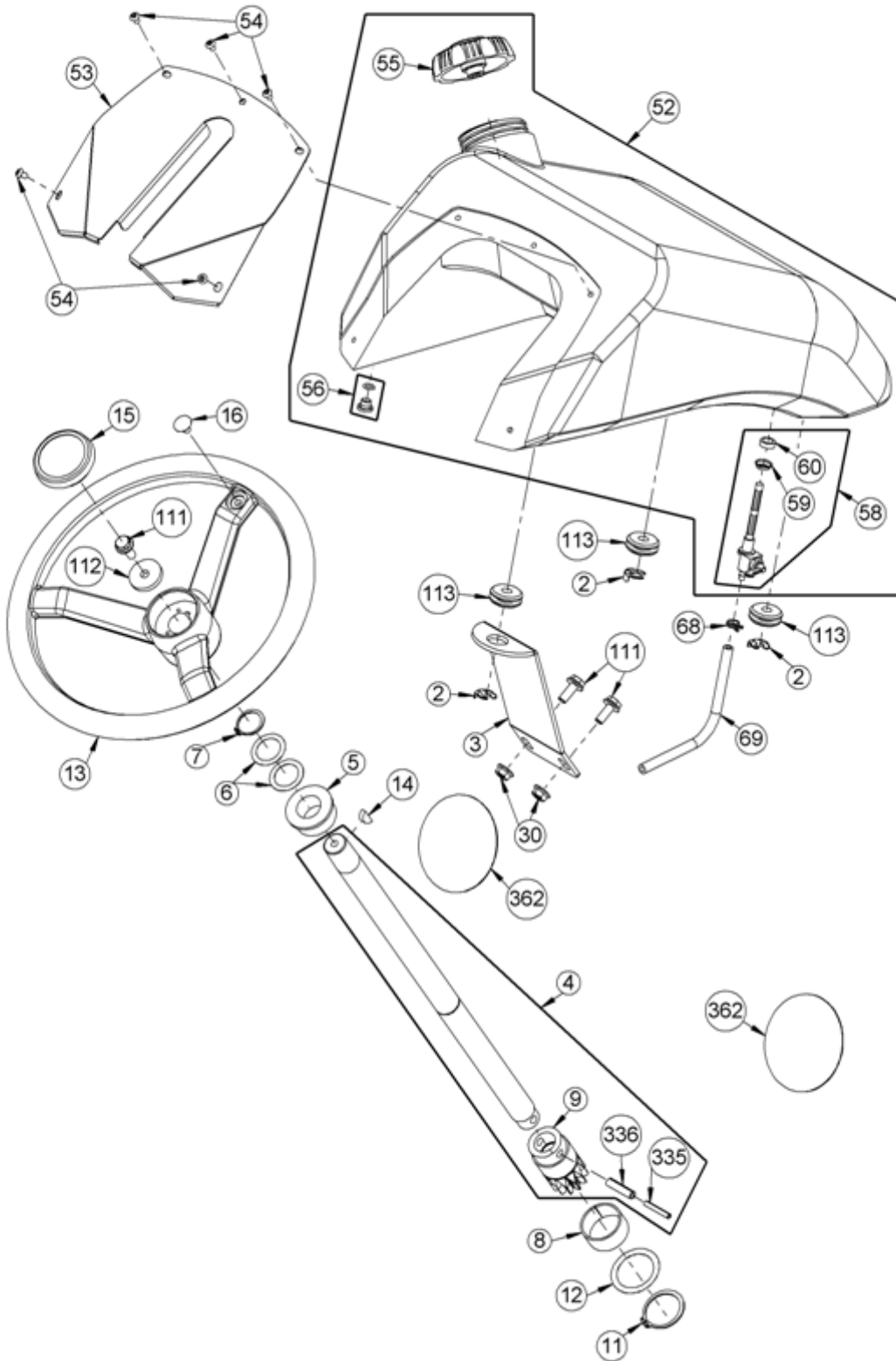
### AS 800 / AS 799 Schutztücher



AS 800 FreeRider from serial No. 016014040001 – ET documentation – Protector cloth

| Pos | Art-Nr.   | E-Nr.  | Menge | Beschreibung                            | Modell | Info |
|-----|-----------|--------|-------|---|--------|------|
| 136 | G00009016 | E04631 | 7     | Hexagon screw with serration (5 Stk.)   |        |      |
| 243 | G00010084 | E03710 | 2     | Disc (10 Stk.)                          |        |      |
| 252 | G07906002 | E06667 | 11    | Self-locking hex nut (10 Stk.)          |        |      |
| 317 | G06826002 | E08401 | 1     | Protection skirt                        |        |      |
| 318 | G06826003 | E08402 | 1     | Protection skirt tube                   |        |      |
| 319 | G00034023 | E07177 | 5     | Clip                                    |        |      |
| 320 | G00008115 | E08404 | 1     | Ejector rubber                          |        |      |
| 321 | G06820018 | E08471 | 1     | Rubber bar                              |        |      |
| 322 | G07827010 | E05367 | 4     | Mushroom head square neck bolt (5 Stk.) |        |      |

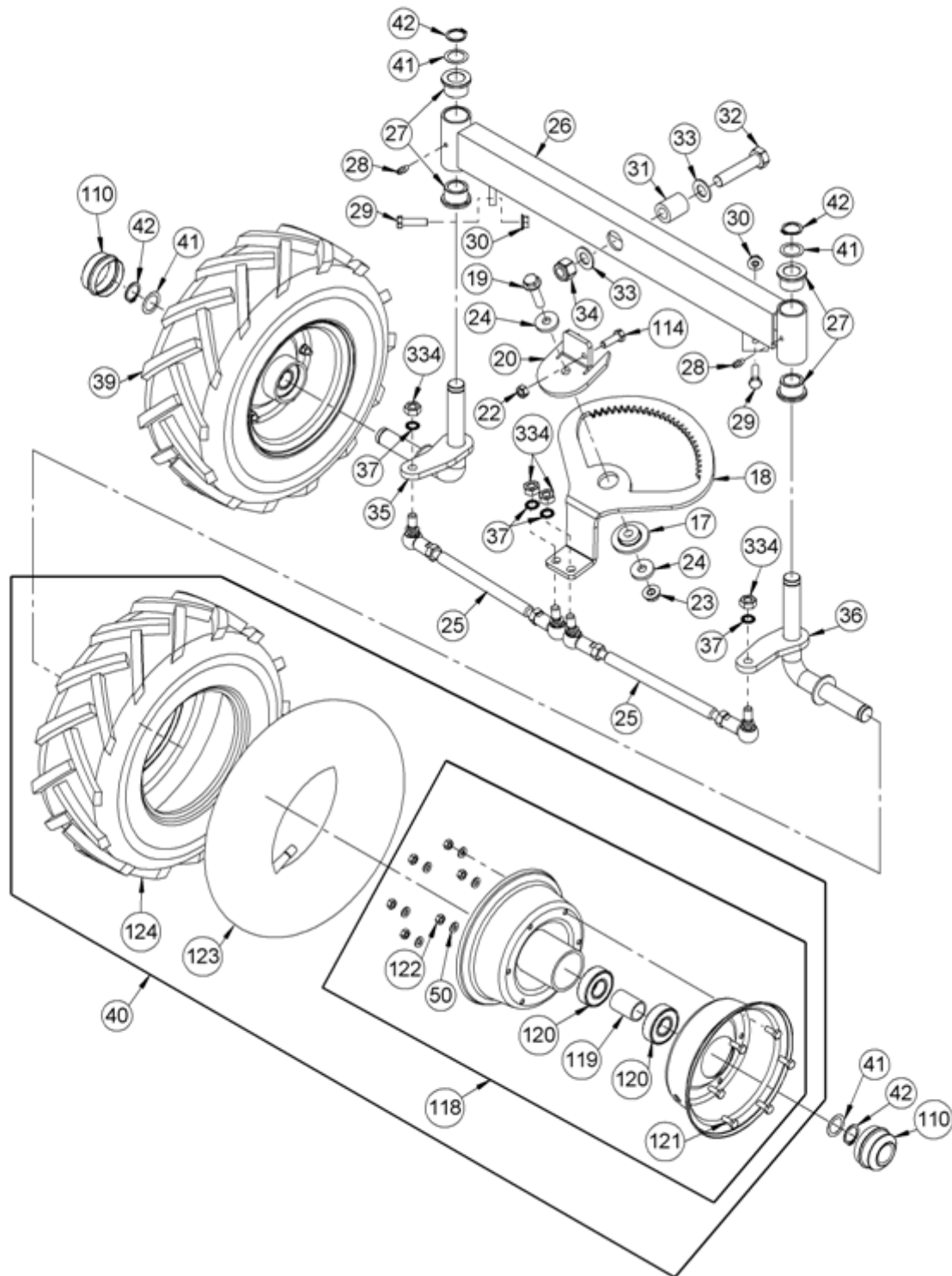
### AS 800 / AS 799 Tank mit Lenkung



## AS 800 FreeRider from serial No. 016014040001 – ET documentation – Tank with steering

| Pos | Art-Nr.   | E-Nr.  | Menge | Beschreibung                             | Modell | Info |
|-----|-----------|--------|-------|--|--------|------|
| 2   | G00027017 | E08457 | 3     | Anti-folding mechanism (5 Stk.)          |        |      |
| 3   | G06850002 | E08477 | 1     | Tank holder                              |        |      |
| 4   | G06850003 | E08478 | 1     | Steering shaft with pinion               |        |      |
| 5   | G06850004 | E08479 | 1     | Plastic sleeve                           |        |      |
| 6   | G07847040 | E06304 | 2     | Shim (3 Stk.)                            |        |      |
| 7   | G07822001 | E02116 | 1     | Circlip for shaft (5 Stk.)               |        |      |
| 8   | G00028040 | E08480 | 1     | DU bush                                  |        |      |
| 9   | G06850005 | E08481 | 1     | Pinion                                   |        |      |
| 11  | G07822015 | E08483 | 1     | Circlip for shaft (2 Stk.)               |        |      |
| 12  | G07847049 | E08484 | 1     | Shim (2 Stk.)                            |        |      |
| 13  | G06850006 | E08485 | 1     | Steering wheel without steering wheel ha |        |      |
| 14  | G07866006 | E07641 | 1     | Curved washer (2 Stk.)                   |        |      |
| 15  | G06650428 | E07977 | 1     | Steering wheel cap                       |        |      |
| 16  | G00029014 | E08486 | 1     | Stopper (2 Stk.)                         |        |      |
| 30  | G00007042 | E06037 | 2     | Selflocking nut with serrated bearing (3 |        |      |
| 52  | G06680123 | E10735 | 1     | Fuel tank total                          |        |      |
| 53  | G06850007 | E08487 | 1     | Tank plate                               |        |      |
| 54  | G07922001 | E07666 | 5     | Raised countersunk head screw with hexag |        |      |
| 55  | G06650135 | E07316 | 1     | Tank cap                                 |        |      |
| 56  | G06850008 | E08488 | 1     | Tank plug with O-ring                    |        |      |
| 58  | G06650364 | E07574 | 1     | Fuel valve right total                   |        |      |
| 59  | G00016007 | E08490 | 1     | Half shell (4 Stk.)                      |        |      |
| 60  | G00008080 | E07600 | 1     | Seal (4 Stk.)                            |        |      |
| 68  | G06650404 | E07614 | 1     | Hose clip (2 Stk.)                       |        |      |
| 69  | G06850009 | E08491 | 1     | Fuel hose (tank to filter)               |        |      |
| 111 | G00009108 | E08177 | 2     | Hexagon screw with serration (3 Stk.)    |        |      |
| 112 | G00010133 | E12385 | 1     | Disc                                     |        |      |
| 113 | G00008145 | E07287 | 3     | Rubber bearing                           |        |      |
| 335 | G07853001 | E01965 | 1     | Spring pin (20 Stk.)                     |        |      |
| 336 | G07853040 | E08567 | 1     | Spring pin                               |        |      |
| 362 | G06826013 | E08855 | 2     | Anti-slip point                          |        |      |

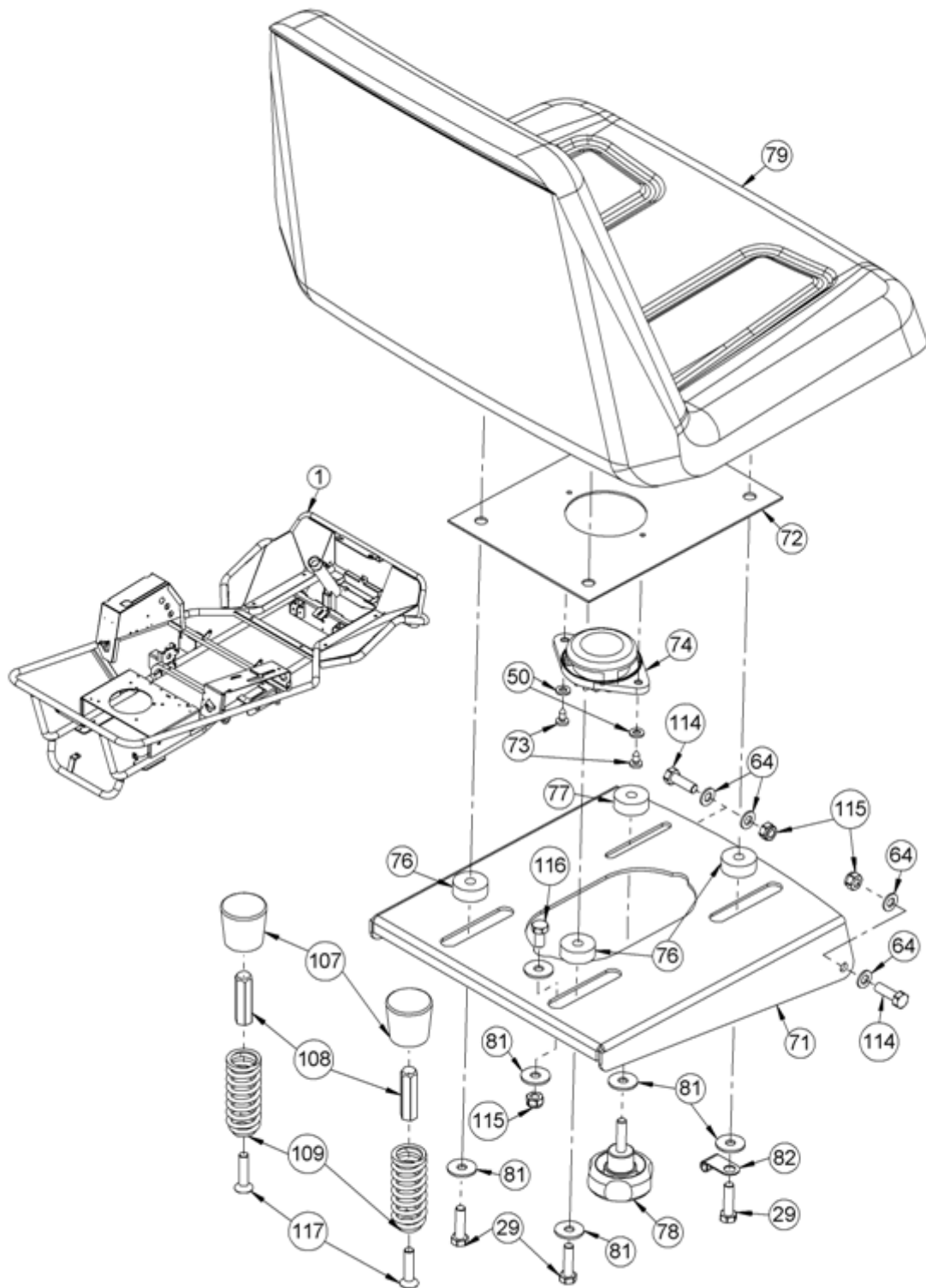
### AS 800 / AS 799 Vorderachse



## AS 800 FreeRider from serial No. 016014040001 – ET documentation – Front axle

| Pos | Art-Nr.   | E-Nr.  | Menge | Beschreibung                             | Modell | Info |
|-----|-----------|--------|-------|--|--------|------|
| 17  | G06850010 | E08492 | 1     | Bearing washer                           |        |      |
| 18  | G06850011 | E08493 | 1     | Toothed plate                            |        |      |
| 19  | G00009116 | E08494 | 1     | Locking screw                            |        |      |
| 20  | G06850012 | E08495 | 1     | Unscrew protection                       |        |      |
| 22  | G07839003 | E01906 | 1     | Hex nut (10 Stk.)                        |        |      |
| 23  | G00007051 | E07668 | 1     | Locknut (2 Stk.)                         |        |      |
| 24  | G07861007 | E08496 | 2     | Disc                                     |        |      |
| 25  | G06850013 | E08497 | 2     | Steering rod with 2 ball joints          |        |      |
| 26  | G06850014 | E08498 | 1     | Front axle                               |        |      |
| 27  | G06650152 | E07333 | 4     | Bush                                     |        |      |
| 28  | G07903002 | E05868 | 2     | Lubricating nipple (3 Stk.)              |        |      |
| 29  | G07838031 | E03951 | 2     | Hexagon screw (5 Stk.)                   |        |      |
| 30  | G00007042 | E06037 | 2     | Selflocking nut with serrated bearing (3 |        |      |
| 31  | G06850015 | E08499 | 1     | Axle sleeve                              |        |      |
| 32  | G07837072 | E08500 | 1     | Hexagon screw                            |        |      |
| 33  | G07809010 | E03592 | 2     | Disc (10 Stk.)                           |        |      |
| 34  | G07918005 | E07672 | 1     | Self-locking hex nut                     |        |      |
| 35  | G06850017 | E08501 | 1     | Axle leg left                            |        |      |
| 36  | G06850016 | E08502 | 1     | Axle leg right                           |        |      |
| 37  | G00042017 | E08503 | 4     | Lock washer (5 Stk.)                     |        |      |
| 39  | G06650443 | E07997 | 1     | Left hand front wheel 13X5.00-6          |        |      |
| 40  | G06650442 | E07996 | 1     | Right hand front wheel 13X5.00-6         |        |      |
| 41  | G07847028 | E08504 | 4     | Shim (5 Stk.)                            |        |      |
| 42  | G07822012 | E07552 | 4     | Circlip for shaft (2 Stk.)               |        |      |
| 50  | G07809006 | E01940 | 12    | Disc (10 Stk.)                           |        |      |
| 110 | G06650153 | E07334 | 2     | Cover                                    |        |      |
| 114 | G07838029 | E03939 | 1     | Hexagon screw (5 Stk.)                   |        |      |
| 118 | G06650438 | E07992 | 2     | Rim for front wheel                      |        |      |
| 119 | G06650441 | E07995 | 2     | Distance sleeve                          |        |      |
| 120 | G07830019 | E04737 | 4     | Deep groove ball bearing                 |        |      |
| 121 | G07838013 | E02949 | 12    | Hexagon screw (10 Stk.)                  |        |      |
| 122 | G07839014 | E03915 | 12    | Hex nut (20 Stk.)                        |        |      |
| 123 | G06650439 | E07993 | 2     | Tube for front wheel                     |        |      |
| 124 | G06650440 | E07994 | 2     | Cover for front wheel                    |        |      |
| 334 | G07846005 | E01968 | 4     | Self-locking hex nut (10 Stk.)           |        |      |

### AS 800 / AS 799 Sitz mit Rahmen

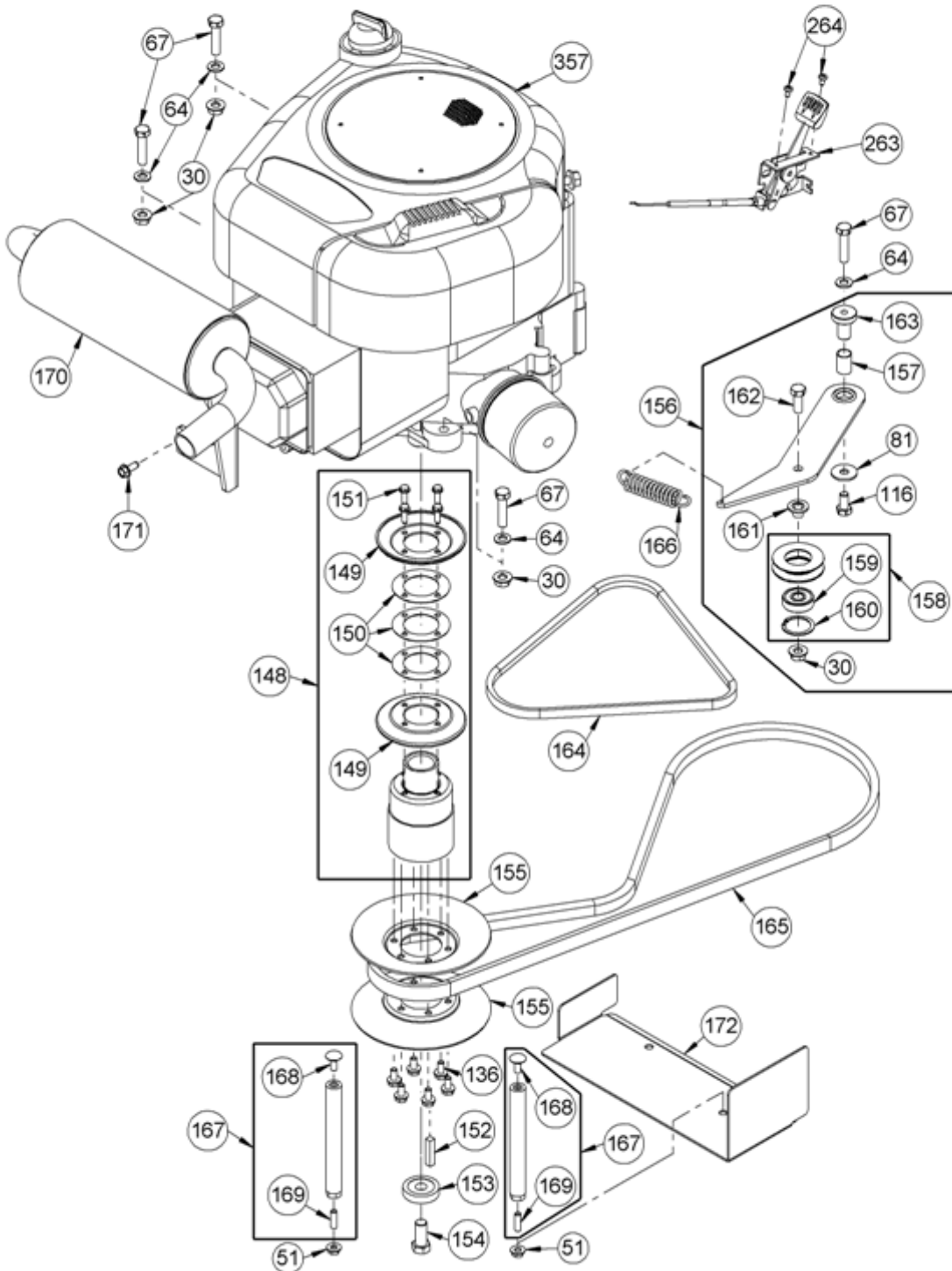


## AS 800 FreeRider from serial No. 016014040001 – ET documentation – Seat with frame

| Pos | Art-Nr.   | E-Nr.  | Menge | Beschreibung                             | Modell | Info |
|-----|-----------|--------|-------|--|--------|------|
| 1   | G06850001 | E08433 | 1     | Frame                                    |        |      |
| 29  | G07838031 | E03951 | 3     | Hexagon screw (5 Stk.)                   |        |      |
| 50  | G07809006 | E01940 | 2     | Disc (10 Stk.)                           |        |      |
| 64  | G07809004 | E01905 | 4     | Disc (20 Stk.)                           |        |      |
| 71  | G06850023 | E08513 | 1     | Seat pan                                 |        |      |
| 72  | G06850024 | E08514 | 1     | Switch plate                             |        |      |
| 73  | G07875019 | E08515 | 2     | Raised cross-head sheet metal screw (5 S |        |      |
| 74  | G06650532 | E08160 | 1     | Seat contact switch                      |        |      |
| 76  | G06850025 | E08516 | 3     | Seat pin with collar                     |        |      |
| 77  | G06850026 | E08517 | 1     | Seat pin without collar                  |        |      |
| 78  | G00009115 | E08518 | 1     | Star knob screw                          |        |      |
| 79  | G06850027 | E08519 | 1     | Seat                                     |        |      |
| 81  | G07880006 | E03957 | 4     | Disc (20 Stk.)                           |        |      |
| 82  | G06650103 | E07284 | 1     | Cable clamp                              |        |      |
| 107 | G06650134 | E07315 | 2     | Stopper                                  |        |      |
| 108 | G06650300 | E07481 | 2     | Extension                                |        |      |
| 109 | G06650178 | E07359 | 2     | Seat spring                              |        |      |
| 114 | G07838029 | E03939 | 2     | Hexagon screw (5 Stk.)                   |        |      |
| 115 | G07846001 | E01912 | 3     | Self-locking hex nut (10 Stk.)           |        |      |
| 116 | G07838026 | E03932 | 1     | Hexagon screw (10 Stk.)                  |        |      |
| 117 | G00009100 | E07874 | 2     | Countersunk screw with inside Torx (3 St |        |      |



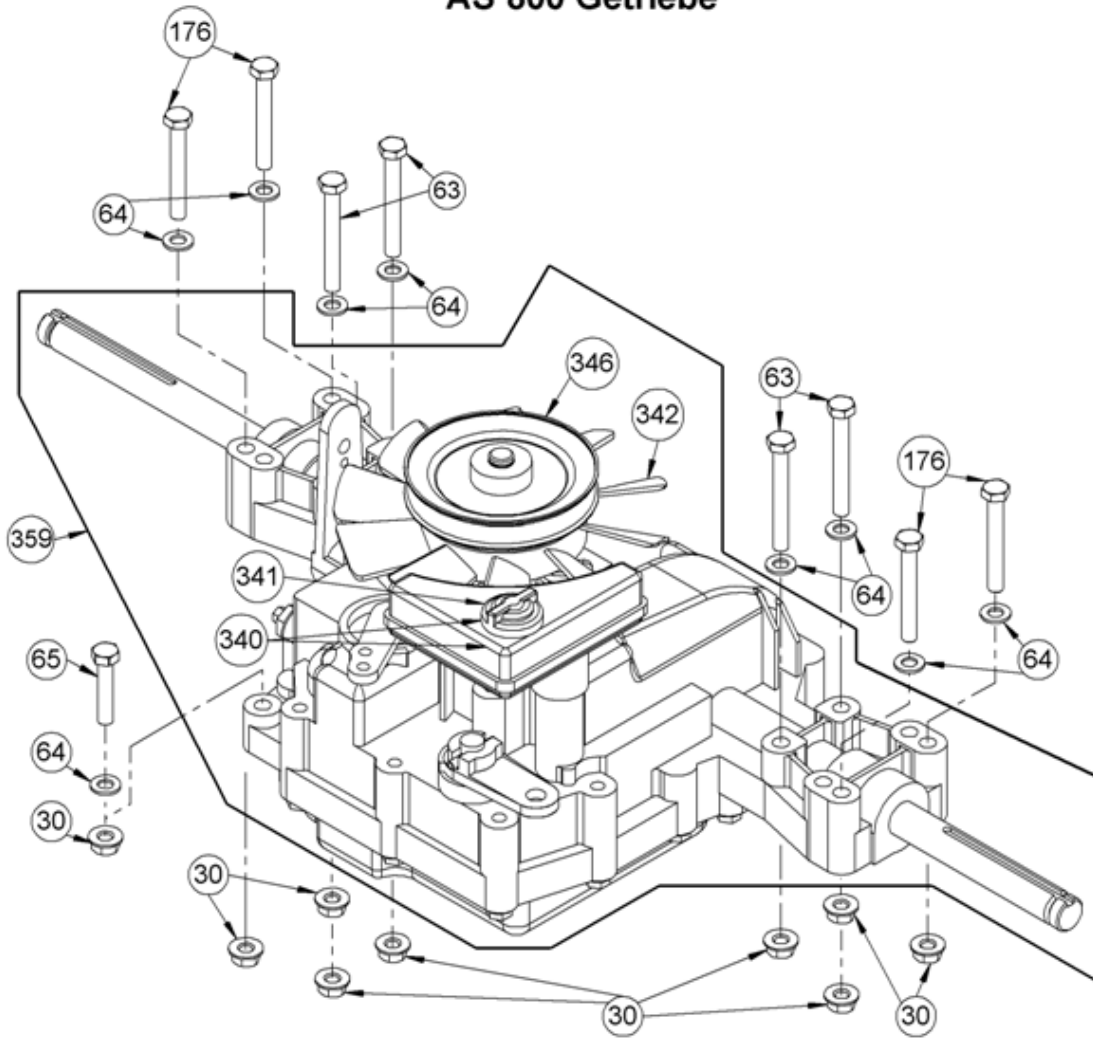
### AS 800 Motor mit Riementrieb



## AS 800 FreeRider from serial No. 016014040001 – ET documentation – Engine with belt drive

| Pos | Art-Nr.   | E-Nr.  | Menge | Beschreibung                             | Modell | Info |
|-----|-----------|--------|-------|--|--------|------|
| 30  | G00007042 | E06037 | 3     | Selflocking nut with serrated bearing (3 |        |      |
| 51  | G00007041 | E05975 | 2     | Selflocking nut with serrated bearing (3 |        |      |
| 64  | G07809004 | E01905 | 4     | Disc (20 Stk.)                           |        |      |
| 67  | G07838044 | E05609 | 4     | Hexagon screw (5 Stk.)                   |        |      |
| 81  | G07880006 | E03957 | 1     | Disc (20 Stk.)                           |        |      |
| 116 | G07838026 | E03932 | 1     | Hexagon screw (10 Stk.)                  |        |      |
| 136 | G00009016 | E04631 | 6     | Hexagon screw with serration (5 Stk.)    |        |      |
| 148 | G06825009 | E08418 | 1     | Engine hub with belt pulley              |        |      |
| 149 | G04425004 | E04286 | 2     | Belt pulley half                         |        |      |
| 150 | G04425005 | E04287 | 3     | Compensating spacer (4 Stk.)             |        |      |
| 151 | G07890005 | E04986 | 4     | Flanged self-tapping screw (3 Stk.)      |        |      |
| 152 | G07865010 | E06713 | 1     | Feather key                              |        |      |
| 153 | G00010106 | E07879 | 1     | Drive pulley                             |        |      |
| 154 | G00009066 | E06716 | 1     | Inch screw (2 Stk.)                      |        |      |
| 155 | G06825024 | E08432 | 2     | Pulley half Ø 135                        |        |      |
| 156 | G06825003 | E08511 | 1     | Tensioning roller carrier total          |        |      |
| 157 | G00028027 | E06473 | 1     | DU bush                                  |        |      |
| 158 | G06525063 | E07208 | 1     | Tension pulley with ball bearing         |        |      |
| 159 | G07830025 | E06524 | 1     | Deep groove ball bearing                 |        |      |
| 160 | G07823016 | E07209 | 1     | Circlip for drilled hole (2 Stk.)        |        |      |
| 161 | G06525057 | E07176 | 1     | Tensioning roller sleeve                 |        |      |
| 162 | G07838047 | E05320 | 1     | Hexagon screw (10 Stk.)                  |        |      |
| 163 | G06525054 | E07158 | 1     | Tension lever bearing                    |        |      |
| 164 | G07857032 | E08216 | 1     | High performance V-belt                  |        |      |
| 165 | G07857035 | E08304 | 1     | High performance V-belt                  |        |      |
| 166 | G00002011 | E04343 | 1     | Draw spring                              |        |      |
| 167 | G06825025 | E08453 | 2     | Belt support                             |        |      |
| 168 | G07827003 | E04262 | 2     | Mushroom head square neck bolt (5 Stk.)  |        |      |
| 169 | G07834009 | E08512 | 2     | Threaded pin (5 Stk.)                    |        |      |
| 170 | G00509025 | E08427 | 1     | Exhaust                                  |        |      |
| 171 | G00009106 | E08095 | 1     | Inch screw (2 Stk.)                      |        |      |
| 172 | G06826015 | E08461 | 1     | Engine lid                               |        |      |
| 263 | G06822032 | E08419 | 1     | Accelerator lever with throttle cable    |        |      |
| 264 | G07890028 | E06594 | 2     | Self-tapping screw (5 Stk.)              |        |      |
| 357 | G00501038 | E13093 | 1     | Engine B&S INTEK 3                       |        |      |

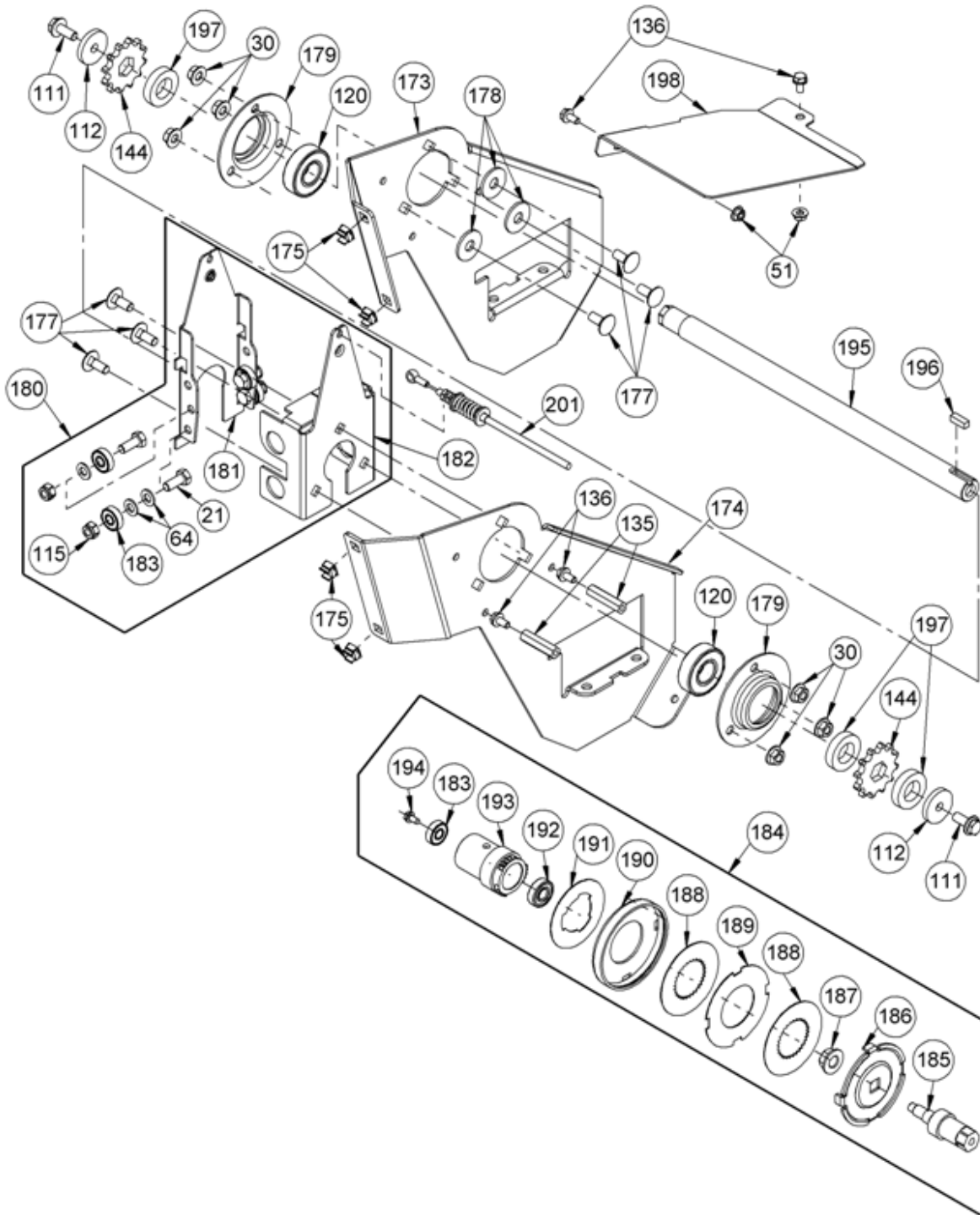
### AS 800 Getriebe



AS 800 FreeRider from serial No. 016014040001 – ET documentation – Transmission

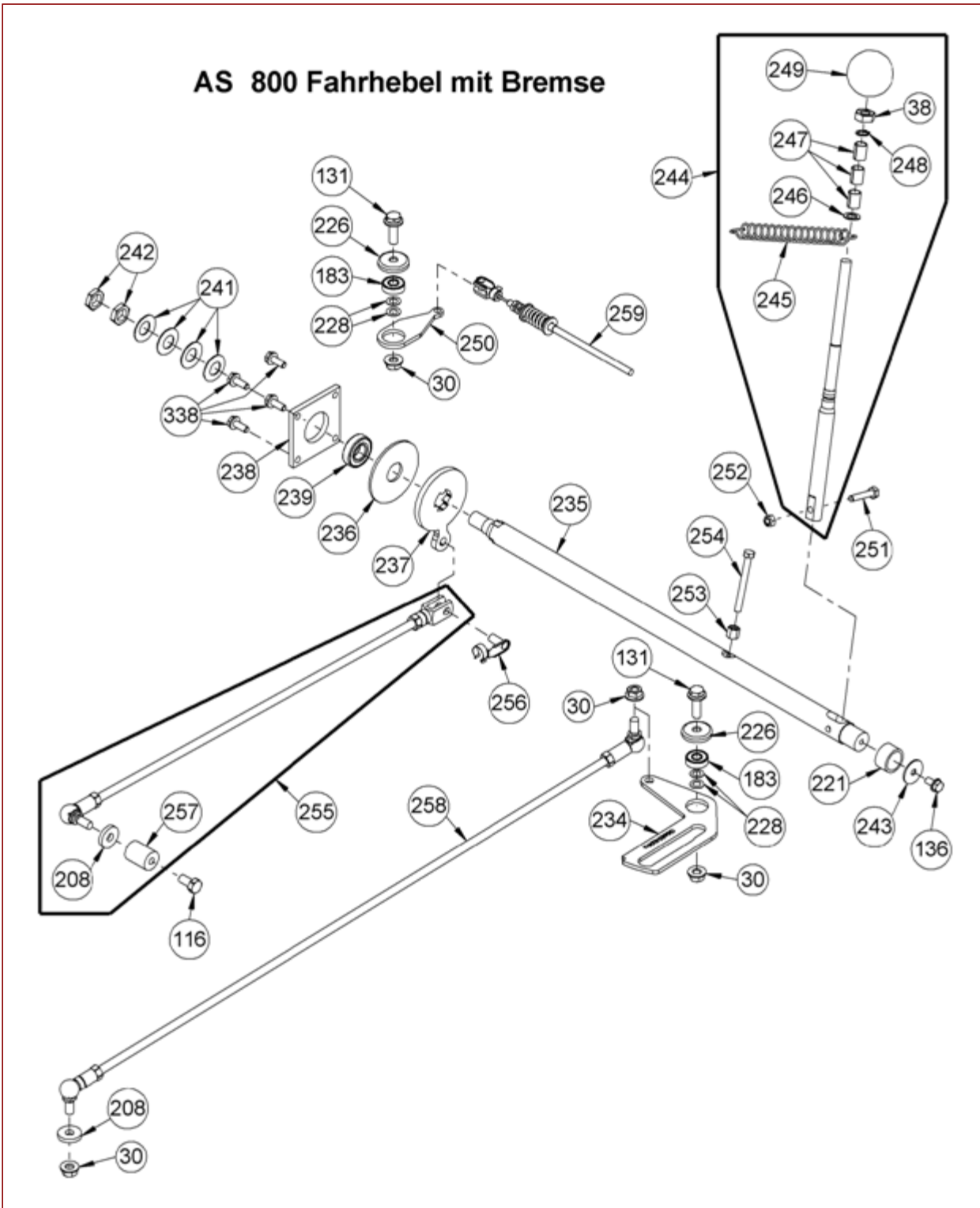
| Pos | Art-Nr.   | E-Nr.  | Menge | Beschreibung                             | Modell | Info |
|-----|-----------|--------|-------|--|--------|------|
| 30  | G00007042 | E06037 | 9     | Selflocking nut with serrated bearing (3 |        |      |
| 63  | G07837041 | E04944 | 4     | Hexagon screw (3 Stk.)                   |        |      |
| 64  | G07809004 | E01905 | 9     | Disc (20 Stk.)                           |        |      |
| 65  | G07837016 | E03901 | 1     | Hexagon screw (5 Stk.)                   |        |      |
| 176 | G07837005 | E03142 | 4     | Hexagon screw (4 Stk.)                   |        |      |
| 340 | G06880005 | E10925 | 1     | Surge tank with cover                    |        |      |
| 341 | G06850046 | E10926 | 1     | Cover for surge tank                     |        |      |
| 342 | G06850049 | E10977 | 1     | Impeller                                 |        |      |
| 346 | G06880006 | E11414 | 1     | Belt pulley + safety ring                |        |      |
| 359 | G06880010 | E13122 | 1     | Hydrostatic transmission+Belt pulley     |        |      |

### AS 800 Differentialsperre



## AS 800 FreeRider from serial No. 016014040001 – ET documentation – Differential lock

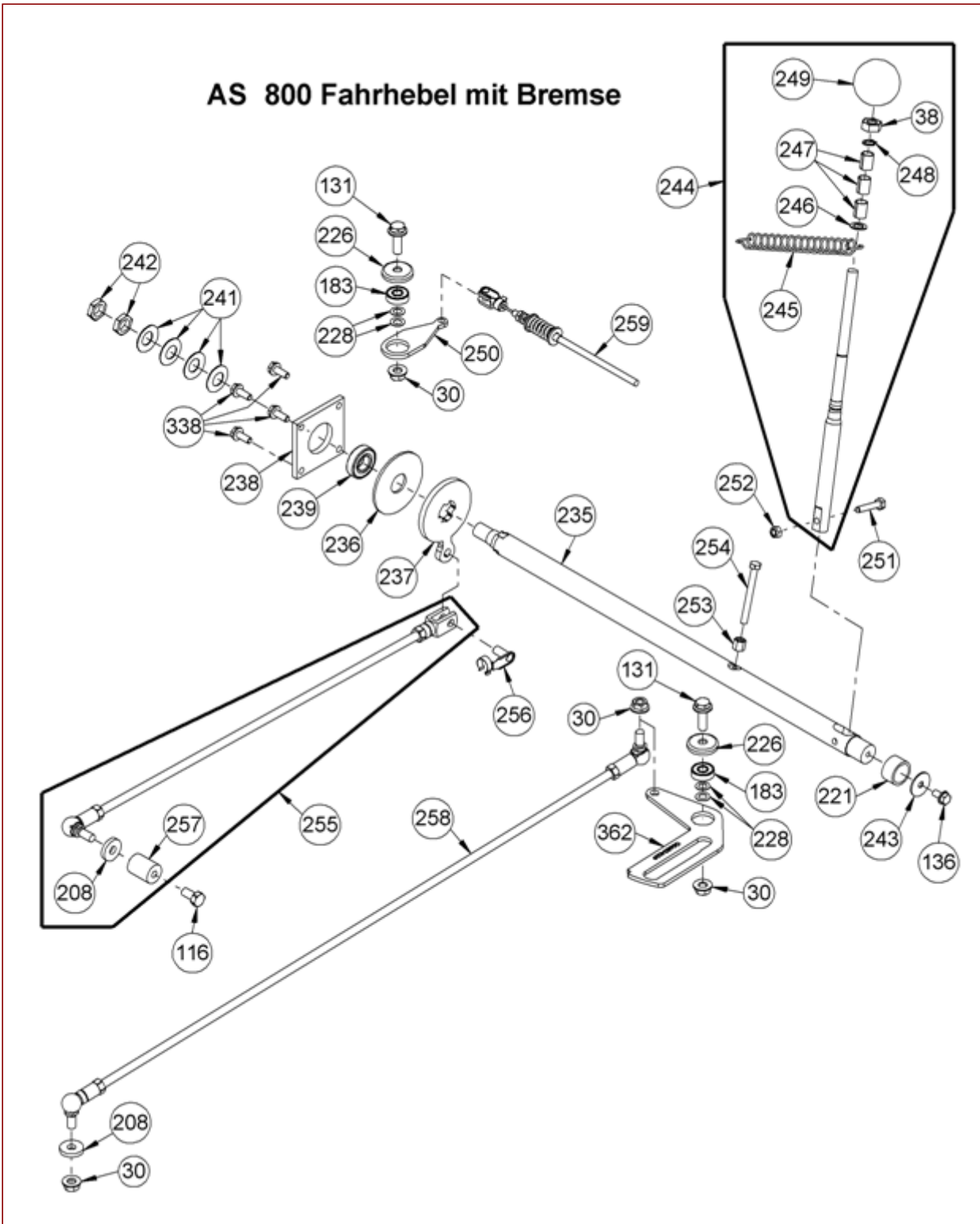
| Pos | Art-Nr.   | E-Nr.  | Menge | Beschreibung                             | Modell | Info |
|-----|-----------|--------|-------|--|--------|------|
| 21  | G07838028 | E03938 | 4     | Hexagon screw (10 Stk.)                  |        |      |
| 30  | G00007042 | E06037 | 6     | Selflocking nut with serrated bearing (3 |        |      |
| 51  | G00007041 | E05975 | 2     | Selflocking nut with serrated bearing (3 |        |      |
| 64  | G07809004 | E01905 | 6     | Disc (20 Stk.)                           |        |      |
| 111 | G00009108 | E08177 | 2     | Hexagon screw with serration (3 Stk.)    |        |      |
| 112 | G00010133 | E12385 | 2     | Disc                                     |        |      |
| 115 | G07846001 | E01912 | 4     | Self-locking hex nut (10 Stk.)           |        |      |
| 120 | G07830019 | E04737 | 2     | Deep groove ball bearing                 |        |      |
| 135 | G00007052 | E07876 | 2     | Connection nut (2 Stk.)                  |        |      |
| 136 | G00009016 | E04631 | 4     | Hexagon screw with serration (5 Stk.)    |        |      |
| 144 | G06725013 | E07687 | 2     | Pinion 12 teeth                          |        |      |
| 173 | G06825029 | E08431 | 1     | Differential panel left                  |        |      |
| 174 | G06825028 | E08430 | 1     | Differential panel right                 |        |      |
| 175 | G00007057 | E08437 | 4     | Box nut (5 Stk.)                         |        |      |
| 177 | G07827004 | E04379 | 6     | Mushroom head square neck bolt (5 Stk.)  |        |      |
| 178 | G07880001 | E01980 | 3     | Disc (10 Stk.)                           |        |      |
| 179 | G06725312 | E08237 | 2     | Bearing plate                            |        |      |
| 180 | G06825007 | E08417 | 1     | Differential lever total                 |        |      |
| 181 | G06825005 | E08415 | 1     | Differential lever                       |        |      |
| 182 | G06825006 | E08416 | 1     | Lever holder                             |        |      |
| 183 | G07830031 | E07211 | 5     | Deep groove ball bearing                 |        |      |
| 184 | G06725305 | E08240 | 1     | Clutch total                             |        |      |
| 185 | G06725306 | E08244 | 1     | Pinion flange                            |        |      |
| 186 | G04325096 | E05410 | 1     | Pressure plate                           |        |      |
| 187 | G00007054 | E08241 | 1     | Selflocking nut with serrated bearing    |        |      |
| 188 | G04325093 | E05408 | 2     | Inner lamella                            |        |      |
| 189 | G04325094 | E05409 | 1     | Outer lamellas                           |        |      |
| 190 | G04325091 | E05407 | 1     | Clutch basket                            |        |      |
| 191 | G06725317 | E08242 | 1     | Supporting disc                          |        |      |
| 192 | G07830014 | E04345 | 1     | Deep groove ball bearing                 |        |      |
| 193 | G06725315 | E08243 | 1     | Clutch flange                            |        |      |
| 194 | G07890003 | E04576 | 1     | Flanged self-tapping screw (3 Stk.)      |        |      |
| 195 | G06825020 | E08429 | 1     | Differential shaft                       |        |      |
| 196 | G07865019 | E07723 | 1     | Feather key (4 Stk.)                     |        |      |
| 197 | G06825030 | E08438 | 1     | Chain ring                               |        |      |
| 198 | G06820019 | E08472 | 1     | Wind deflector panel                     |        |      |
| 201 | G00020123 | E08374 | 1     | Differential cable                       |        |      |



AS 800 FreeRider from serial No. 016014040001 – ET documentation – Drive lever with brake to serial No. 016014090040

| Pos | Art-Nr.   | E-Nr.  | Menge | Beschreibung                             | Modell | Info |
|-----|-----------|--------|-------|--|--------|------|
| 30  | G00007042 | E06037 | 4     | Selflocking nut with serrated bearing (3 |        |      |
| 38  | G07839008 | E01953 | 1     | Hex nut (10 Stk.)                        |        |      |
| 116 | G07838026 | E03932 | 1     | Hexagon screw (10 Stk.)                  |        |      |
| 131 | G00009085 | E06761 | 2     | Hexagon screw                            |        |      |
| 136 | G00009016 | E04631 | 1     | Hexagon screw with serration (5 Stk.)    |        |      |
| 183 | G07830031 | E07211 | 1     | Deep groove ball bearing                 |        |      |
| 208 | G07861006 | E07940 | 1     | Disc                                     |        |      |
| 221 | G00028039 | E08448 | 1     | Friction bearing                         |        |      |
| 226 | G06822031 | E08449 | 2     | Bearing washer                           |        |      |
| 228 | G07847036 | E05984 | 4     | Shim (10 Stk.)                           |        |      |
| 234 | G06834005 | E08454 | 1     | Brake bracket                            |        |      |
| 235 | G06822022 | E08414 | 1     | Lever shaft                              |        |      |
| 236 | G00019050 | E03076 | 1     | Slide washer (2 Stk.)                    |        |      |
| 237 | G06822021 | E08413 | 1     | Drive lever left                         |        |      |
| 238 | G06822033 | E08455 | 1     | Bearing flange                           |        |      |
| 239 | G07830003 | E02104 | 1     | Deep groove ball bearing                 |        |      |
| 241 | G07856006 | E03319 | 4     | Disc spring (10 Stk.)                    |        |      |
| 242 | G00007044 | E06130 | 2     | Hex nut                                  |        |      |
| 243 | G00010084 | E03710 | 1     | Disc (10 Stk.)                           |        |      |
| 244 | G06822034 | E08412 | 1     | Drive lever total                        |        |      |
| 245 | G00002040 | E06475 | 1     | Draw spring                              |        |      |
| 246 | G07847011 | E03134 | 1     | Shim (10 Stk.)                           |        |      |
| 247 | G00028008 | E06538 | 3     | DU bush                                  |        |      |
| 248 | G07822002 | E02650 | 1     | Circlip for shaft (5 Stk.)               |        |      |
| 249 | G07917003 | E08456 | 1     | Spherical button                         |        |      |
| 250 | G06822035 | E08458 | 1     | Release lever                            |        |      |
| 251 | G07838027 | E03933 | 1     | Hexagon screw (10 Stk.)                  |        |      |
| 252 | G07906002 | E06667 | 1     | Self-locking hex nut (10 Stk.)           |        |      |
| 253 | G00007025 | E03706 | 1     | Special nut (10 Stk.)                    |        |      |
| 254 | G07837025 | E04227 | 1     | Hexagon screw                            |        |      |
| 255 | G06822014 | E08409 | 1     | Drive rod total                          |        |      |
| 256 | G00039005 | E08459 | 1     | Folding spring bolt                      |        |      |
| 257 | G06822036 | E08460 | 1     | Drive lever pin                          |        |      |
| 258 | G06834008 | E08410 | 1     | Brake rod total                          |        |      |
| 259 | G00020124 | E08375 | 1     | Brake pedal cable                        |        |      |
| 338 | G00009024 | E04519 | 4     | Self-tapping screw (3 Stk.)              |        |      |

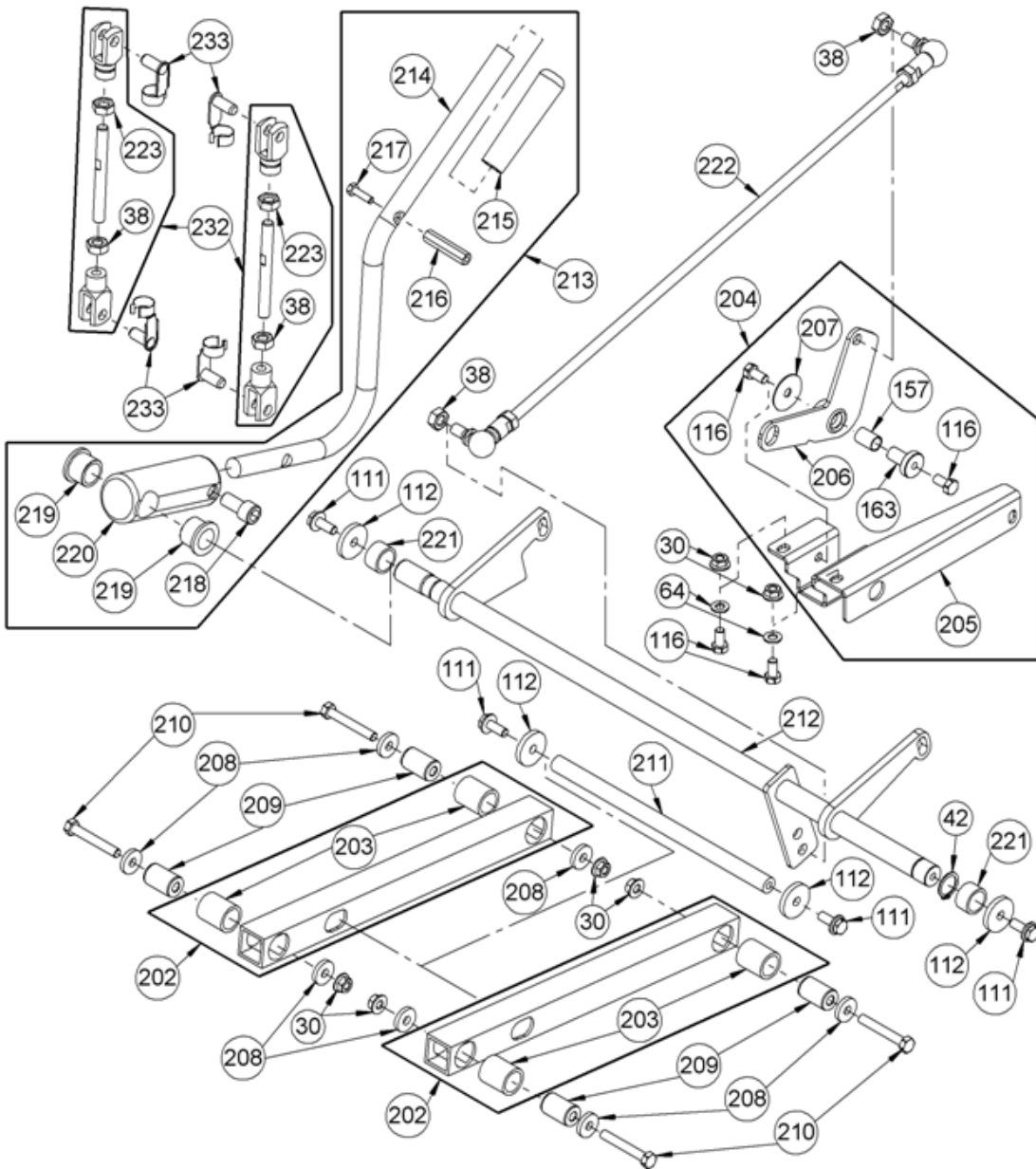




AS 800 FreeRider from serial No. 016014040001 – ET documentation – Drive lever with brake from serial No. 016014100001

| Pos | Art-Nr.   | E-Nr.  | Menge | Beschreibung                             | Modell | Info |
|-----|-----------|--------|-------|--|--------|------|
| 30  | G00007042 | E06037 | 4     | Selflocking nut with serrated bearing (3 |        |      |
| 38  | G07839008 | E01953 | 1     | Hex nut (10 Stk.)                        |        |      |
| 116 | G07838026 | E03932 | 1     | Hexagon screw (10 Stk.)                  |        |      |
| 131 | G00009085 | E06761 | 2     | Hexagon screw                            |        |      |
| 136 | G00009016 | E04631 | 1     | Hexagon screw with serration (5 Stk.)    |        |      |
| 183 | G07830031 | E07211 | 1     | Deep groove ball bearing                 |        |      |
| 208 | G07861006 | E07940 | 1     | Disc                                     |        |      |
| 221 | G00028039 | E08448 | 1     | Friction bearing                         |        |      |
| 226 | G06822031 | E08449 | 2     | Bearing washer                           |        |      |
| 228 | G07847036 | E05984 | 4     | Shim (10 Stk.)                           |        |      |
| 235 | G06822022 | E08414 | 1     | Lever shaft                              |        |      |
| 236 | G00019050 | E03076 | 1     | Slide washer (2 Stk.)                    |        |      |
| 237 | G06822021 | E08413 | 1     | Drive lever left                         |        |      |
| 238 | G06822033 | E08455 | 1     | Bearing flange                           |        |      |
| 239 | G07830003 | E02104 | 1     | Deep groove ball bearing                 |        |      |
| 241 | G07856006 | E03319 | 4     | Disc spring (10 Stk.)                    |        |      |
| 242 | G00007044 | E06130 | 2     | Hex nut                                  |        |      |
| 243 | G00010084 | E03710 | 1     | Disc (10 Stk.)                           |        |      |
| 244 | G06822034 | E08412 | 1     | Drive lever total                        |        |      |
| 245 | G00002040 | E06475 | 1     | Draw spring                              |        |      |
| 246 | G07847011 | E03134 | 1     | Shim (10 Stk.)                           |        |      |
| 247 | G00028008 | E06538 | 3     | DU bush                                  |        |      |
| 248 | G07822002 | E02650 | 1     | Circlip for shaft (5 Stk.)               |        |      |
| 249 | G07917003 | E08456 | 1     | Spherical button                         |        |      |
| 250 | G06822035 | E08458 | 1     | Release lever                            |        |      |
| 251 | G07838027 | E03933 | 1     | Hexagon screw (10 Stk.)                  |        |      |
| 252 | G07906002 | E06667 | 1     | Self-locking hex nut (10 Stk.)           |        |      |
| 253 | G00007025 | E03706 | 1     | Special nut (10 Stk.)                    |        |      |
| 254 | G07837025 | E04227 | 1     | Hexagon screw                            |        |      |
| 255 | G06822014 | E08409 | 1     | Drive rod total                          |        |      |
| 256 | G00039005 | E08459 | 1     | Folding spring bolt                      |        |      |
| 257 | G06822036 | E08460 | 1     | Drive lever pin                          |        |      |
| 258 | G06834008 | E08410 | 1     | Brake rod total                          |        |      |
| 259 | G00020124 | E08375 | 1     | Brake pedal cable                        |        |      |
| 338 | G00009024 | E04519 | 4     | Self-tapping screw (3 Stk.)              |        |      |
| 362 | G06834009 | E13160 | 1     | Brake bracket                            |        |      |

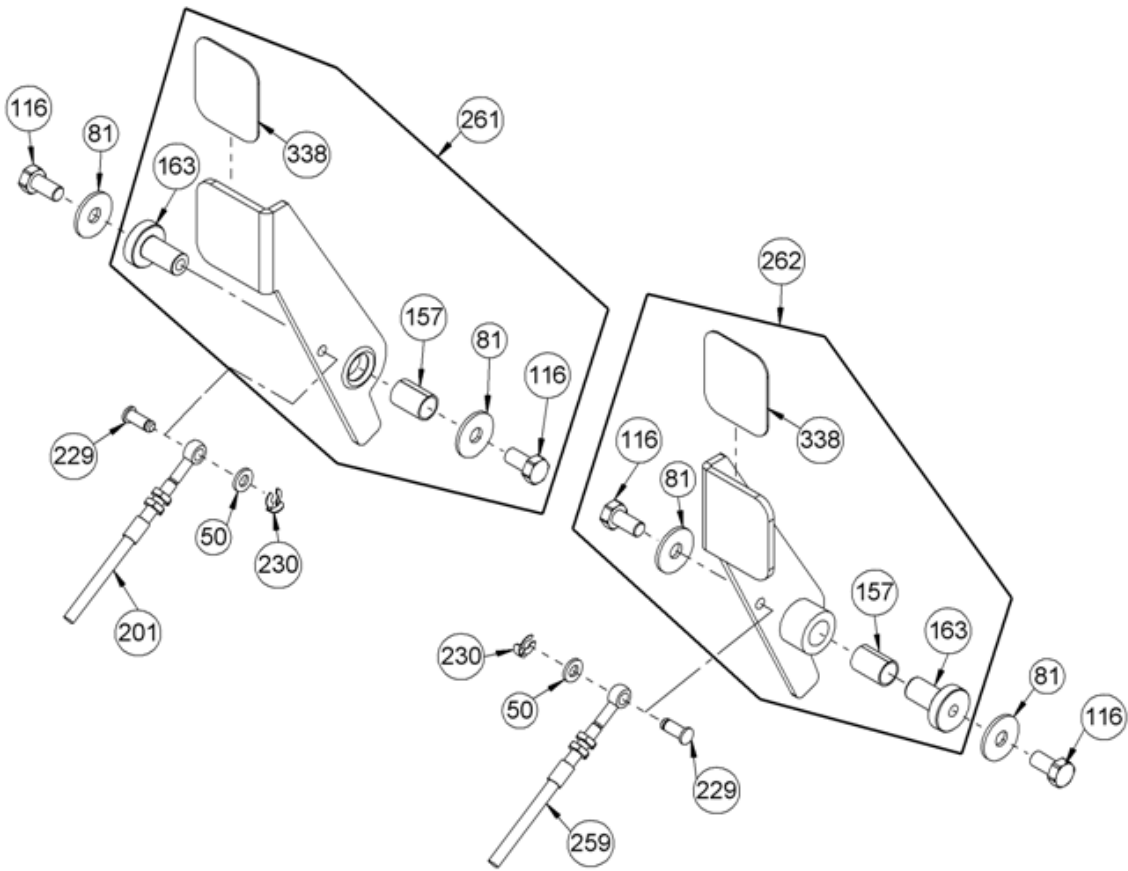
### AS 800 / AS 799 Verstellung der Schnitthöhe



AS 799 Rider – ET documentation – Adjustment of cutting height

| Pos | Art-Nr.              | E-Nr.             | Menge | Beschreibung                             | Modell | Info |
|-----|----------------------|-------------------|-------|--|--------|------|
| 30  | G00007042            | E06037            | 6     | Selflocking nut with serrated bearing (3 |        |      |
| 38  | G07839008            | E01953            | 4     | Hex nut (10 Stk.)                        |        |      |
| 42  | G07822012            | E07552            | 1     | Circlip for shaft (2 Stk.)               |        |      |
| 64  | G07809004            | E01905            | 2     | Disc (20 Stk.)                           |        |      |
| 111 | G00009108            | E08177            | 4     | Hexagon screw with serration (3 Stk.)    |        |      |
| 112 | G00010133            | E12385            | 4     | Disc                                     |        |      |
| 116 | G07838026            | E03932            | 4     | Hexagon screw (10 Stk.)                  |        |      |
| 157 | G00028027            | E06473            | 1     | DU bush                                  |        |      |
| 163 | G06525054            | E07158            | 1     | Tension lever bearing                    |        |      |
| 202 | G06822002            | E08421            | 2     | Lifting arm total                        |        |      |
| 203 | G00028031            | E07222            | 4     | Friction bearing                         |        |      |
| 204 | G06822028            | E08442            | 1     | Lifter lever holder total                |        |      |
| 205 | G06822025            | E08436            | 1     | Lifter lever holder                      |        |      |
| 206 | G06822027            | E08443            | 1     | Deflection lever total                   |        |      |
| 207 | G00010109            | E08394            | 1     | Mudguard washer (5 Stk.)                 |        |      |
| 208 | G07861006            | E07940            | 7     | Disc                                     |        |      |
| 209 | G06522316            | E07160            | 4     | Bar bolt                                 |        |      |
| 210 | G07837015            | E03777            | 4     | Hexagon screw (5 Stk.)                   |        |      |
| 211 | G06822024            | E08428            | 1     | Lifter brace                             |        |      |
| 212 | G06822010            | E08407            | 1     | Retractable axle total                   |        |      |
| 213 | G06822030            | E08447            | 1     | Height adjustment lever total            |        |      |
| 214 | G06822023            | E08522            | 1     | Height adjustment lever                  |        |      |
| 215 | G00008116            | E08523            | 1     | Lever cover                              |        |      |
| 216 | G06526002            | E06726            | 1     | Connection nut                           |        |      |
| 217 | G07838019            | E03886            | 1     | Hexagon screw (10 Stk.)                  |        |      |
| 218 | G07833028            | E08446            | 1     | Hexagon socket head cap screw            |        |      |
| 219 | G00028038            | E08445            | 2     | Friction bearing with collar             |        |      |
| 220 | G06822029            | E08444            | 1     | Adjusting lever pin                      |        |      |
| 221 | G00028039            | E08448            | 2     | Friction bearing                         |        |      |
| 222 | <del>G06822012</del> | <del>E08408</del> | 1     | <del>Replaced by G06922034</del>         |        |      |
| 222 | G06922034            | E11613            | 1     | Lifter rod total                         |        |      |
| 223 | G07839022            | E08282            | 2     | Hex nut                                  |        |      |
| 232 | G06822004            | E08400            | 2     | Lifting rod total                        |        |      |
| 233 | G00039004            | E08467            | 4     | Folding spring bolt                      |        |      |

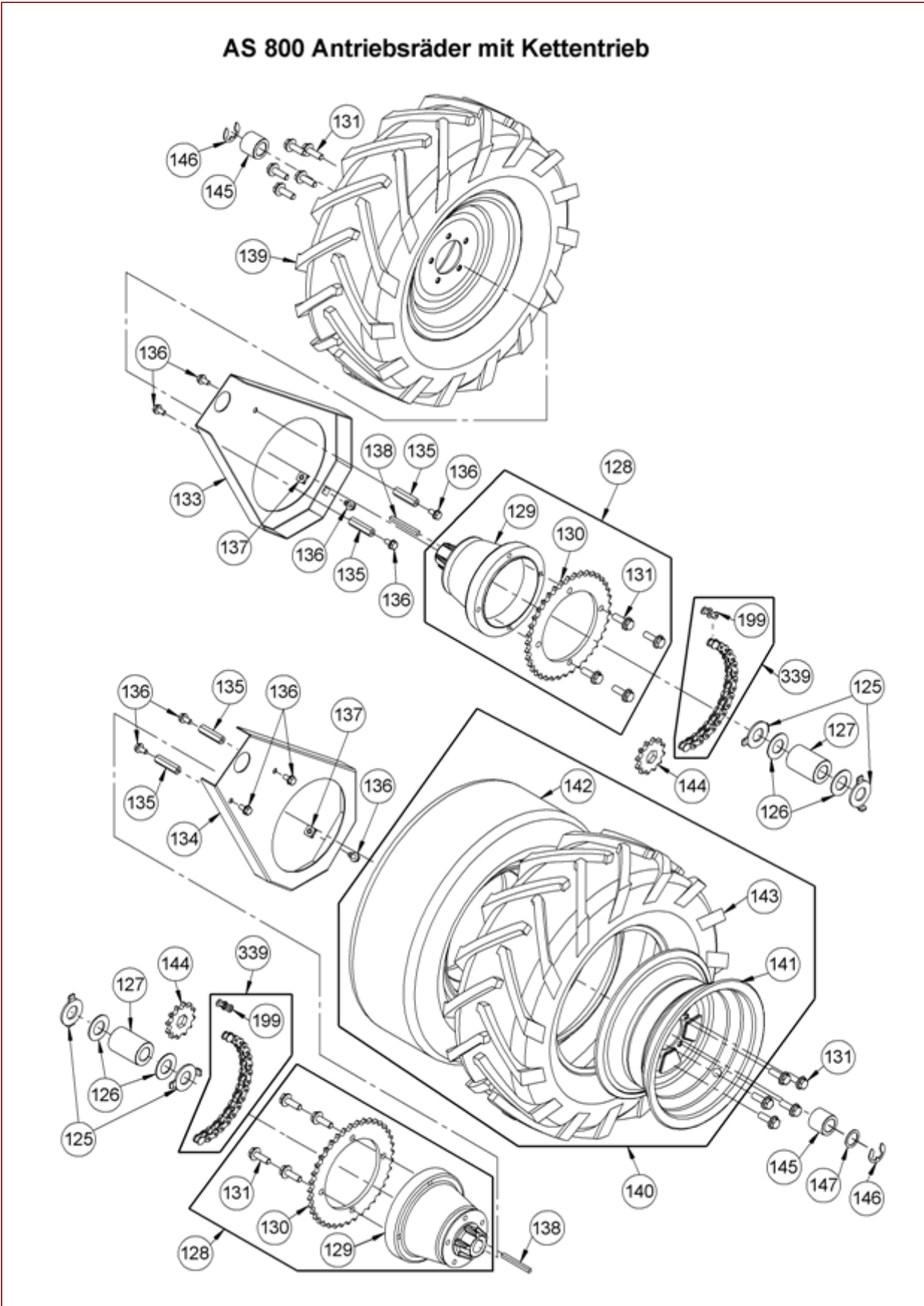
### AS 800 Pedale



AS 800 FreeRider from serial No. 016014040001 – ET documentation – Pedal

| Pos | Art-Nr.   | E-Nr.  | Menge | Beschreibung                    | Modell | Info |
|-----|-----------|--------|-------|---------------------------------|--------|------|
| 50  | G07809006 | E01940 | 2     | Disc (10 Stk.)                  |        |      |
| 81  | G07880006 | E03957 | 4     | Disc (20 Stk.)                  |        |      |
| 116 | G07838026 | E03932 | 4     | Hexagon screw (10 Stk.)         |        |      |
| 157 | G00028027 | E06473 | 2     | DU bush                         |        |      |
| 163 | G06525054 | E07158 | 2     | Tension lever bearing           |        |      |
| 201 | G00020123 | E08374 | 1     | Differential cable              |        |      |
| 229 | G00012027 | E08451 | 2     | Bolt for anti-folding mechanism |        |      |
| 230 | G00027016 | E08452 | 2     | Anti-folding mechanism (5 Stk.) |        |      |
| 259 | G00020124 | E08375 | 1     | Brake pedal cable               |        |      |
| 261 | G06825031 | E08423 | 1     | Differential pedal total        |        |      |
| 262 | G06834006 | E08422 | 1     | Reset pedal for brake total     |        |      |
| 338 | G06826014 | E08856 | 2     | Pedal sticker                   |        |      |

### AS 800 Antriebsräder mit Kettentrieb

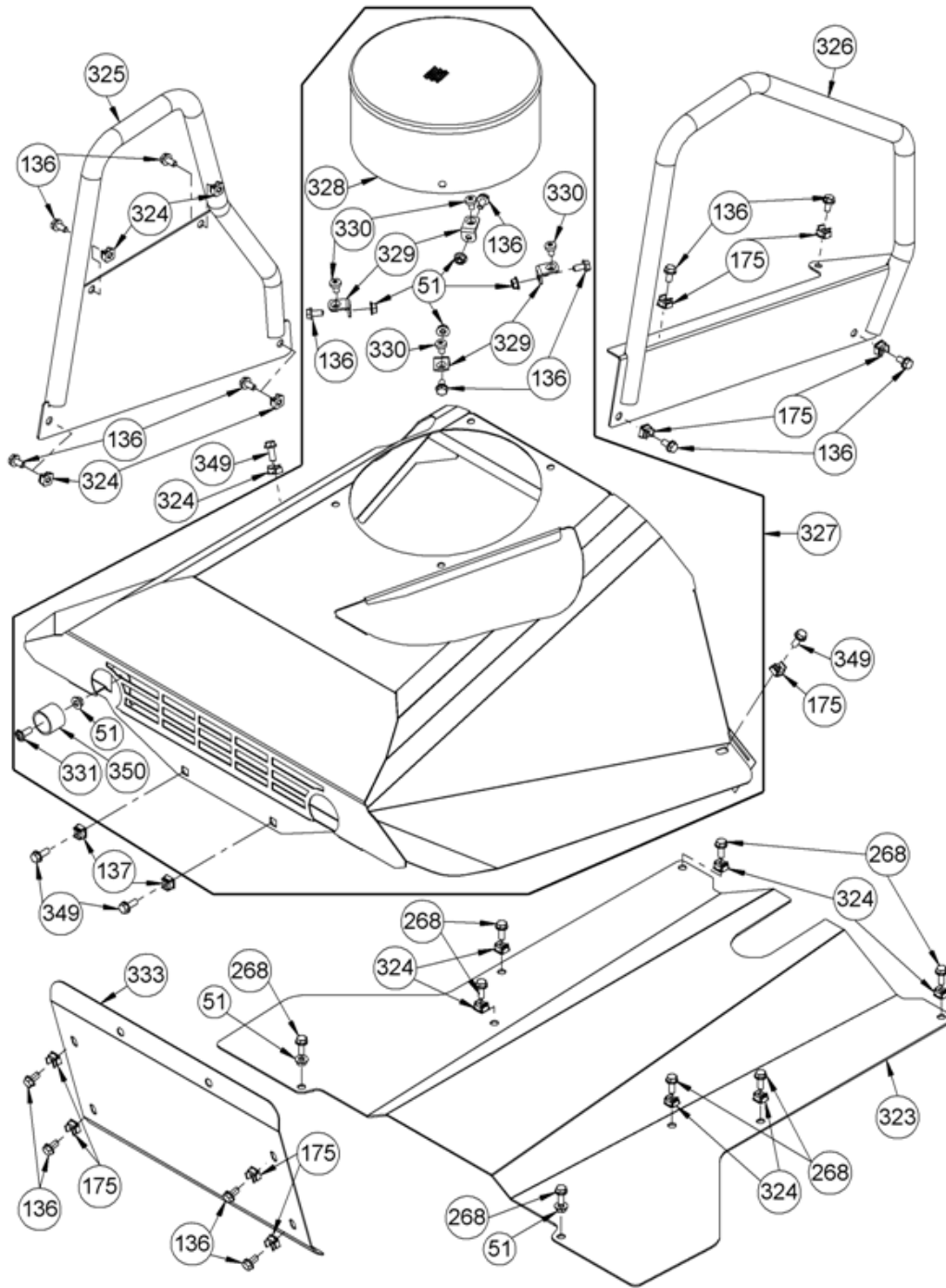


## AS 800 FreeRider from serial No. 016014040001 – ET documentation – Drive wheels with chain drive

| Pos | Art-Nr.   | E-Nr.  | Menge | Beschreibung                          | Modell | Info |
|-----|-----------|--------|-------|---------------------------------------|--------|------|
| 125 | G06721003 | E07700 | 4     | Thrust washer                         |        |      |
| 126 | G00010105 | E07873 | 4     | Thrust washer                         |        |      |
| 127 | G06821004 | E08439 | 2     | Wheel sleeve                          |        |      |
| 128 | G06721005 | E08319 | 2     | Wheel hub total                       |        |      |
| 129 | G06721002 | E07266 | 2     | Wheel hub                             |        |      |
| 130 | G06725012 | E07686 | 2     | Pinion 39 teeth                       |        |      |
| 131 | G00009085 | E06761 | 18    | Hexagon screw                         |        |      |
| 133 | G06726013 | E07885 | 1     | Chain protection left                 |        |      |
| 134 | G06726012 | E07886 | 1     | Chain protection right                |        |      |
| 135 | G00007052 | E07876 | 4     | Connection nut (2 Stk.)               |        |      |
| 136 | G00009016 | E04631 | 10    | Hexagon screw with serration (5 Stk.) |        |      |
| 137 | G00007055 | E08289 | 2     | Box nut (5 Stk.)                      |        |      |
| 138 | G07865015 | E07267 | 2     | Feather key (2 Stk.)                  |        |      |
| 139 | G06521011 | E06458 | 1     | Wide tyre left 16X6.50-8              |        |      |
| 140 | G06521010 | E06457 | 1     | Wide tyre right 16X6.50-8             |        |      |
| 141 | G06550014 | E08029 | 2     | Rim for wide tyre                     |        |      |
| 142 | G06521014 | E06570 | 2     | Tube for wide wheels                  |        |      |
| 143 | G06550012 | E07684 | 2     | Cover for wide tyre                   |        |      |
| 144 | G06725013 | E07687 | 2     | Pinion 12 teeth                       |        |      |
| 145 | G06821005 | E08440 | 2     | Wheel ring                            |        |      |
| 146 | G07864009 | E08441 | 2     | Lock washer (3 Stk.)                  |        |      |
| 147 | G07847046 | E07725 | 1     | Shim (3 Stk.)                         |        |      |
| 199 | G06525035 | E06425 | 2     | Chain joint                           |        |      |
| 339 | G06580018 | E10819 | 2     | Chain 59 links with lock              |        |      |



### AS 800 Abdeckungen



## AS 800 FreeRider from serial No. 016014040001 – ET documentation – Covers

| Pos | Art-Nr.   | E-Nr.  | Menge | Beschreibung                             | Modell | Info |
|-----|-----------|--------|-------|--|--------|------|
| 51  | G00007041 | E05975 | 7     | Selflocking nut with serrated bearing (3 |        |      |
| 136 | G00009016 | E04631 | 16    | Hexagon screw with serration (5 Stk.)    |        |      |
| 137 | G00007055 | E08289 | 2     | Box nut (5 Stk.)                         |        |      |
| 175 | G00007057 | E08437 | 9     | Box nut (5 Stk.)                         |        |      |
| 268 | G00009094 | E07247 | 8     | Locking screw (2 Stk.)                   |        |      |
| 323 | G06820014 | E08462 | 1     | Base plate                               |        |      |
| 324 | G00007046 | E06672 | 11    | Box nut (2 Stk.)                         |        |      |
| 325 | G06826011 | E08435 | 1     | Side cover left total                    |        |      |
| 326 | G06826010 | E08434 | 1     | Side cover right total                   |        |      |
| 327 | G06826020 | E08463 | 1     | Engine cover total                       |        |      |
| 328 | G06826024 | E08464 | 1     | Ventilation grid                         |        |      |
| 329 | G00510002 | E06708 | 4     | Angle bracket                            |        |      |
| 330 | G00009038 | E05720 | 4     | Screw with Torx (3 Stk.)                 |        |      |
| 331 | G00009081 | E06733 | 1     | Raised-head shouldered screw (4 Stk.)    |        |      |
| 333 | G06826017 | E08466 | 1     | Cover rear                               |        |      |
| 349 | G07913004 | E10189 | 4     | Hexagon screw with flange                |        |      |
| 350 | G06826025 | E08857 | 1     | Exhaust sleeve                           |        |      |



1

| Pos.Nr. | ET-Nr. | Benennung                       |
|---------|--------|---------------------------------|
| 1       | E12756 | Aufkleber - Set AS 800 / AS 799 |

AS 800 FreeRider from serial No. 016014040001 – ET documentation – Instruction plate – set to serial No. 016014090040

| <b>Pos</b> | <b>Art-Nr.</b> | <b>E-Nr.</b> | <b>Menge</b> | <b>Beschreibung</b>            | <b>Modell</b> | <b>Info</b> |
|------------|----------------|--------------|--------------|--------------------------------|---------------|-------------|
| 1          | G06880007      | E12756       | 1            | Instruction plate - set AS 800 |               |             |