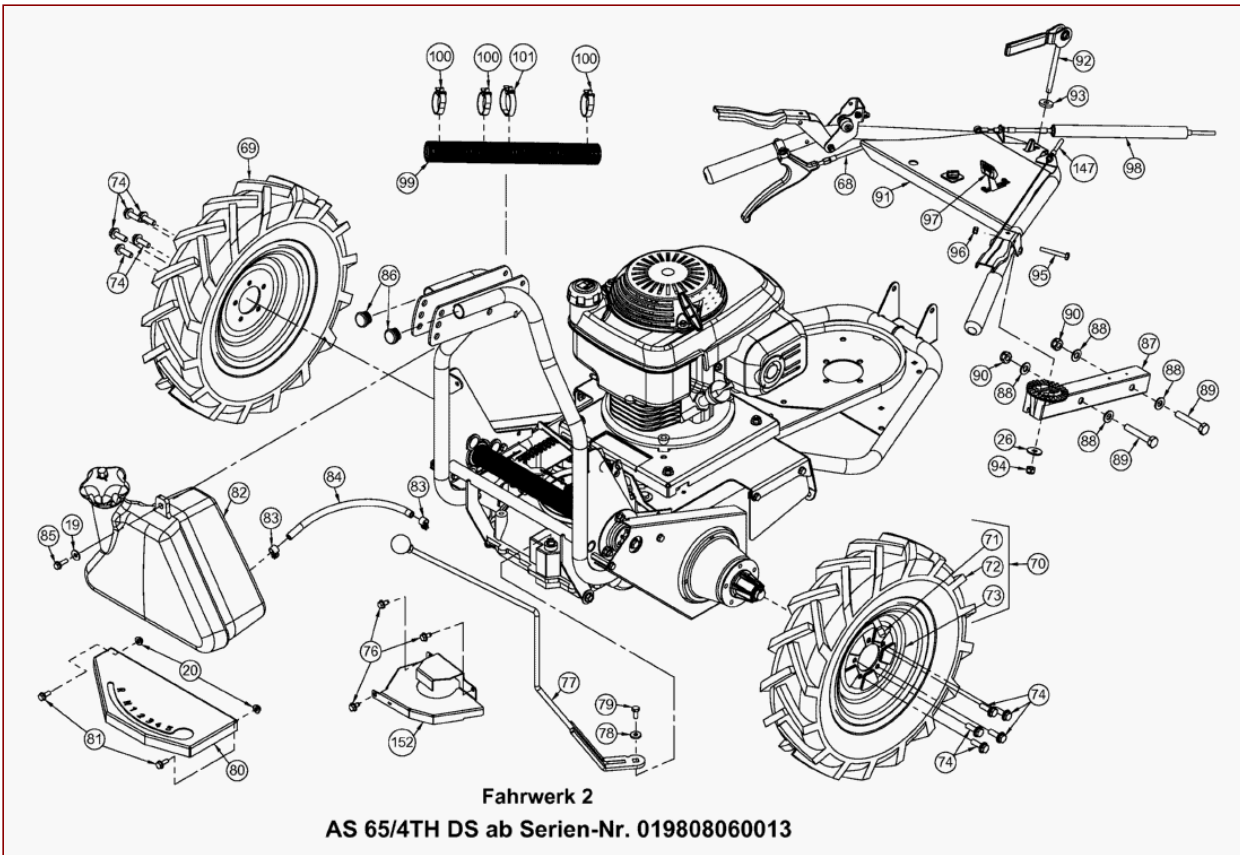


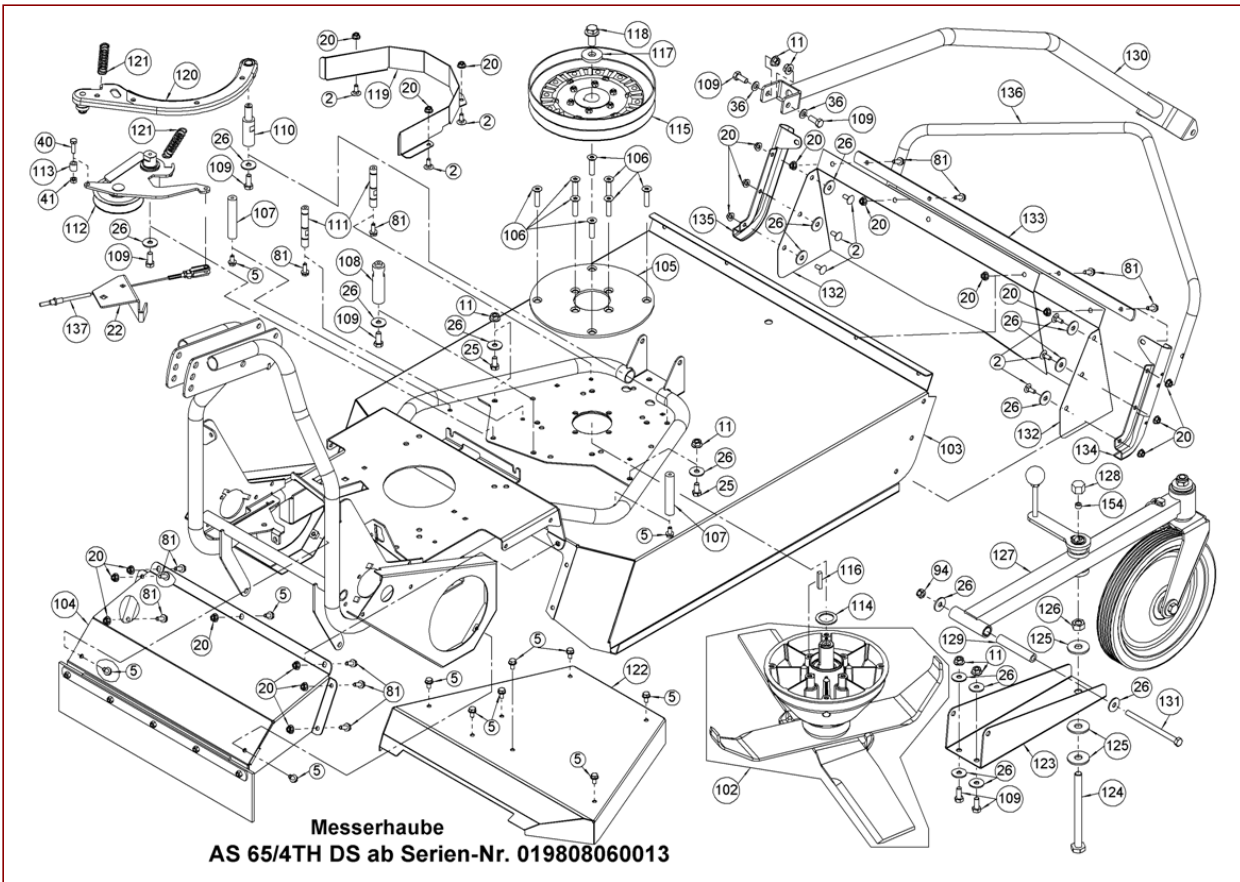
AS 65 4T Honda and AS 65/4TH DS from serial No. 019808060013 – ET documentation – Chassis Fig. 1

Pos	Art-Nr.	E-Nr.	Menge	Beschreibung	Modell	Info
2	G07827003	E04262	2	Mushroom head square neck bolt (5 Stk.)		
3	G00007052	E07876	4	Connection nut (2 Stk.)		
4	G07827004	E04379	7	Mushroom head square neck bolt (5 Stk.)		
5	G00009016	E04631	12	Hexagon screw with serration (5 Stk.)		
6	G00501020	E10402	1	Engine HONDA for 65/4TH		
7	G00029015	E10026	1	Stopper		
8	G00612004	E08312	1	Engine mount total		
9	G00024036	E08268	3	Sleeve		
10	G07837015	E03777	3	Hexagon screw (5 Stk.)		
11	G00007042	E06037	20	Selflocking nut with serrated bearing (3		
12	G07862012	E04352	4	Tooth lock washer (20 Stk.)		
13	G07857032	E08216	1	High performance V-belt		
14	G07857033	E08228	1	High performance V-belt		
15	G07866007	E10162	1	Curved washer		
16	G06725318	E10282	1	Engine hub total		
17	G00042015	E07281	1	Screw lock washer		
18	G00009109	E08269	1	Inch screw		
19	G07880004	E03914	2	Disc (20 Stk.)		
20	G00007041	E05975	3	Selflocking nut with serrated bearing (3		
21	G06725300	E08235	1	Belt holder		
22	G06725301	E08236	1	Holder		
25	G07838026	E03932	1	Hexagon screw (10 Stk.)		
26	G07880006	E03957	3	Disc (20 Stk.)		
28	G06730001	E07878	1	Shift transmission		
30	G00009041	E05728	1	Collar screw		
31	G06730009	E08315	1	Belt pulley transmission total		
32	G07822008	E04351	1	Circlip for shaft (20 Stk.)		
33	G07866004	E06682	1	Curved washer (3 Stk.)		
34	G07890015	E06032	2	Flanged self-tapping screw (2 Stk.)		
35	G07837005	E03142	4	Hexagon screw (4 Stk.)		
36	G07809004	E01905	4	Disc (20 Stk.)		
44	G06725312	E08237	2	Bearing plate		
45	G07830019	E04737	2	Deep groove ball bearing		
46	G06725314	E08272	1	Lever total		
47	G06725305	E08240	1	Clutch total		
48	G06725302	E08245	1	Clutch shaft		
49	G07865019	E07723	1	Feather key (4 Stk.)		
50	G00001084	E08246	1	Pressure spring		
51	G00026032	E08247	1	Concertina hose		
52	G06725316	E08248	2	Chain pinion support ring		
53	G06725013	E07687	2	Pinion 12 teeth		
54	G00010133	E12385	2	Disc		
55	G00009108	E08177	2	Hexagon screw with serration (3 Stk.)		
56	G06726004	E07715	2	Side protector		
57	G00007055	E08289	6	Box nut (5 Stk.)		
58	G06721003	E07700	4	Thrust washer		
59	G00010105	E07873	2	Thrust washer		
60	G06721005	E08319	2	Wheel hub total		
61	G07865015	E07267	2	Feather key (2 Stk.)		
62	G07847046	E07725	2	Shim (3 Stk.)		
63	G07822013	E07726	2	Circlip for shaft (4 Stk.)		
64	G06580018	E10819	2	Chain 59 links with lock		
65	G06525035	E06425	2	Chain joint		
68	G00020118	E08253	1	Differential cable		
74	G00009085	E06761	1	Hexagon screw		
138	G06720034	E10768	1	Engine mount total		
139	G06725056	E10824	1	Tensioning roller carrier		
140	G00002065	E10773	1	Draw spring		

141	G06730016	E10770	1	Brake lever plate		
142	G06730017	E10771	1	Deflection lever		
143	G07830031	E07211	1	Deep groove ball bearing		
144	G06822031	E08449	1	Bearing washer		
145	G07856010	E04337	1	Disc spring (5 Stk.)		
146	G00010109	E08394	1	Mudguard washer (5 Stk.)		
147	G00020148	E10760	1	Drive cable		
148	G00002064	E10772	1	Draw spring		
149	G06726025	E10775	1	Chain protection left		
150	G06726026	E10776	1	Chain protection right		
151	G07810007	E10774	3	Disc (3 Stk.)		

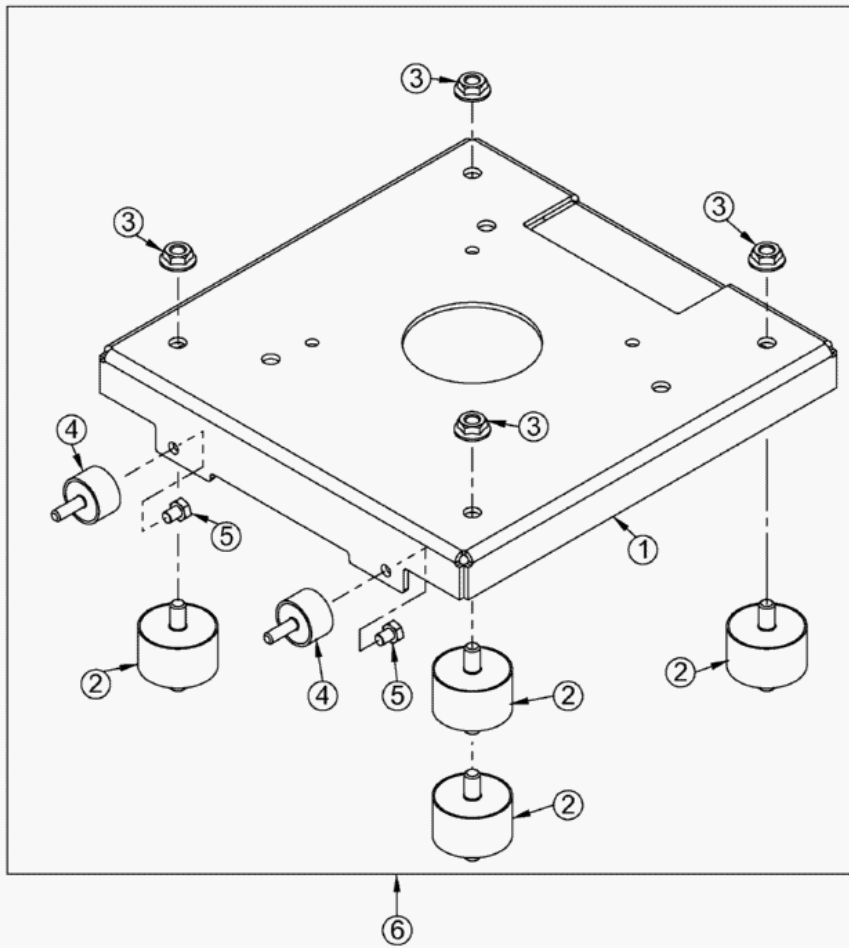


Pos	Art-Nr.	E-Nr.	Menge	Beschreibung	Modell	Info
19	G07880004	E03914	1	Disc (20 Stk.)		
20	G00007041	E05975	2	Selflocking nut with serrated bearing (3		
26	G07880006	E03957	1	Disc (20 Stk.)		
68	G00020118	E08253	1	Differential cable		
69	G06321022	E06159	1	Profile wheel left 4.80/4.00-8		
70	G06321026	E06196	1	Profile wheel right 4.80/4.00-8		
71	G06321027	E06327	2	Tube 400-8		
72	G06350089	E06568	2	Cover for profile wheel (4.00/4.80)		
73	G06350099	E06569	2	Rim for profile wheel (4.00/4.80)		
74	G00009085	E06761	10	Hexagon screw		
76	G07890025	E06093	3	Flanged self-tapping screw (2 Stk.)		
77	G06730010	E08027	1	Shift rod total		
78	G07861005	E07877	1	Disc (2 Stk.)		
79	G00009061	E06679	1	Inch screw (5 Stk.)		
80	G06730015	E08026	1	Gear change indicator		
81	G00009094	E07247	2	Locking screw (2 Stk.)		
82	G06580008	E06490	1	Fuel tank total with cap		
83	G00034011	E03626	2	Hose clamp		
84	<del>G06706004</del>	<del>E07883</del>	1	Replaced by E11525		
	G06906002	E11525	1	Fuel hose 1405 long		
85	G00009074	E06365	1	Self-tapping screw (2 Stk.)		
86	G00029009	E06141	2	Lamella plugs (2 Stk.)		
87	G06522001	E06729	1	Intermediate strut total		
88	G07809008	E03668	4	Disc (5 Stk.)		
89	G07837003	E01958	2	Hexagon screw (2 Stk.)		
90	G07846005	E01968	2	Self-locking hex nut (10 Stk.)		
91	G06722307	E10731	1	Handlebar total		
92	G07322010	E10119	1	Eccentric lever with eyebolt		
93	G07861006	E07940	1	Disc		
94	G07846001	E01912	1	Self-locking hex nut (10 Stk.)		
95	G07837068	E07643	1	Hexagon screw (2 Stk.)		
96	G07918001	E07269	1	Self-locking hex nut (6 Stk.)		
97	G06722016	E07544	1	Accelerator lever with throttle cable		
98	G00020117	E08218	1	Blade drive cable		
99	G00026030	E07952	1	Concertina hose		
100	G00026004	E04391	3	Cable tape (2 Stk.)		
101	G00026003	E03782	1	Cable tape (2 Stk.)		
147	G00020148	E10760	1	Drive cable		
152	G06726311	E10777	1	Cover rear		



## AS 65/4TH DS from serial No. 019807404001 – ET documentation – Blade cover

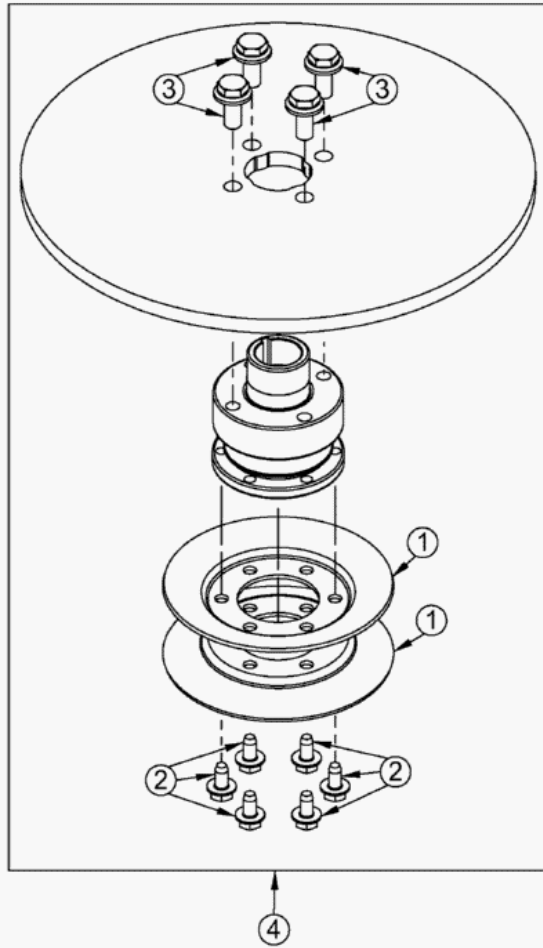
Pos	Art-Nr.	E-Nr.	Menge	Beschreibung	Modell	Info
2	G07827003	E04262	9	Mushroom head square neck bolt (5 Stk.)		
5	G00009016	E04631	12	Hexagon screw with serration (5 Stk.)		
11	G00007042	E06037	6	Selflocking nut with serrated bearing (3		
20	G00007041	E05975	20	Selflocking nut with serrated bearing (3		
22	G06725301	E08236	1	Holder		
25	G07838026	E03932	2	Hexagon screw (10 Stk.)		
26	G07880006	E03957	17	Disc (20 Stk.)		
36	G07809004	E01905	2	Disc (20 Stk.)		
40	G07838019	E03886	1	Hexagon screw (10 Stk.)		
41	G07906002	E06667	1	Self-locking hex nut (10 Stk.)		
81	G00009094	E07247	12	Locking screw (2 Stk.)		
94	G07846001	E01912	1	Self-locking hex nut (10 Stk.)		
102	G06723300	E08322	1	Blade bearing with blade		
103	G06720301	E08256	1	Blade hood		
104	G06720303	E08257	1	Ejector plate total		
105	G06720016	E07731	1	Hood disc		
106	G00009100	E07874	8	Countersunk screw with inside Torx (3 St		
107	G06525312	E06653	2	Belt support		
108	G06720014	E07693	1	Tension lever bearing		
109	G07838028	E03938	7	Hexagon screw (10 Stk.)		
110	G06734005	E07716	1	Brake lever bearing		
111	G06720013	E07692	1	Spring bolt		
112	G06725307	E08314	1	Belt tensioner total		
113	G00024007	E06034	1	Spacer sleeve		
114	G07847015	E03928	1	Supporting disc		
115	G06725309	E08260	1	Belt pulley total		
116	G07865011	E06649	1	Feather key		
117	G07861004	E07213	1	Disc		
118	G00009097	E07718	1	Locking screw		
119	G06725039	E07738	1	Belt plate		
120	G06734006	E08316	1	Brake lever total		
121	G00002056	E07867	2	Draw spring		
122	G06726303	E08261	1	Belt covering		
123	G06720015	E07888	1	Bar stiffener		
124	G07838069	E07720	1	Hexagon screw		
125	G07880008	E04407	3	Disc (10 Stk.)		
126	G07839015	E03921	1	Hex nut (4 Stk.)		
127	G06780013	E08321	1	Wheel strut total + DU bushes		
128	G07854004	E07880	1	Hexagon cap nut		
129	G06722007	E07704	1	Bar bolt		
130	G06722009	E07706	1	Upper strut total		
131	G07837058	E06886	1	Hexagon screw (2 Stk.)		
132	G06726003	E07257	2	Protection skirt (2 Stk.)		
133	G06726304	E08263	1	Protection skirt holder		
134	G06726002	E07744	1	Protection bar holder right		
135	G06726001	E07743	1	Protection bar holder left		
136	G06726305	E08264	1	Protection bar		
137	G00020117	E08218	1	Blade drive cable		
154	G04325028	E04359	1	Spacer tube		





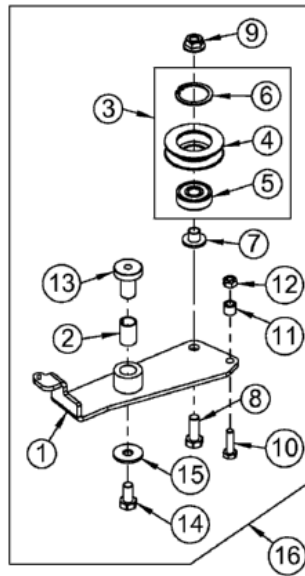
AS 65/4TH DS from serial No. 019807404001 – ET documentation – Engine holder complete.

Pos	Art-Nr.	E-Nr.	Menge	Beschreibung	Modell	Info
1	G00612003	E08230	1	Engine mount		
2	G00008112	E08231	4	Rubber element		
3	G00007042	E06037	4	Selflocking nut with serrated bearing (3		
4	G00008049	E08283	2	Rubber element		
5	G07838022	E03910	2	Hexagon screw (10 Stk.)		
6	G00612004	E08312	1	Engine mount total		



AS 65/4TH DS from serial No. 019807404001 – ET documentation – Engine hub AS 65/4T complete.

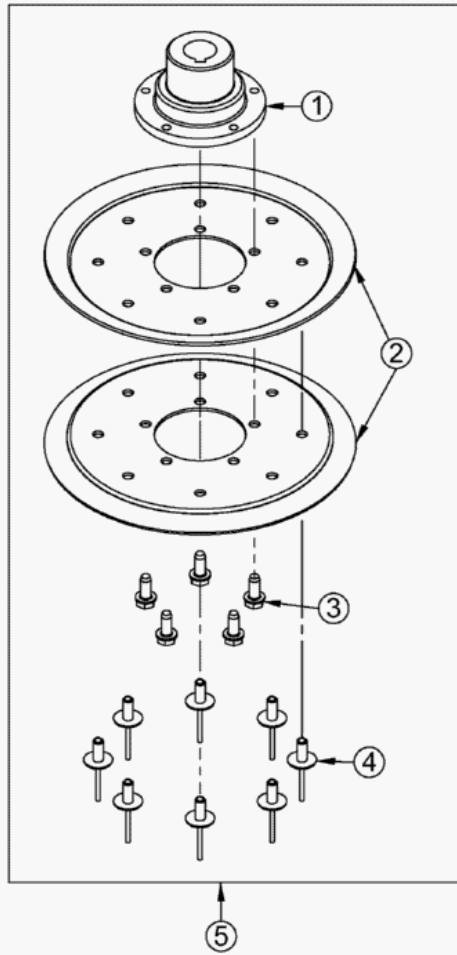
Pos	Art-Nr.	E-Nr.	Menge	Beschreibung	Modell	Info
1	G06725048	E08059	2	Belt pulley half dw 95		
2	G07890025	E06093	6	Flanged self-tapping screw (2 Stk.)		
3	G00009146	E10417	4	Locking screw (4 Stk.)		
4	G06725318	E10282	1	Engine hub total		



Spannrollenträger vollst.

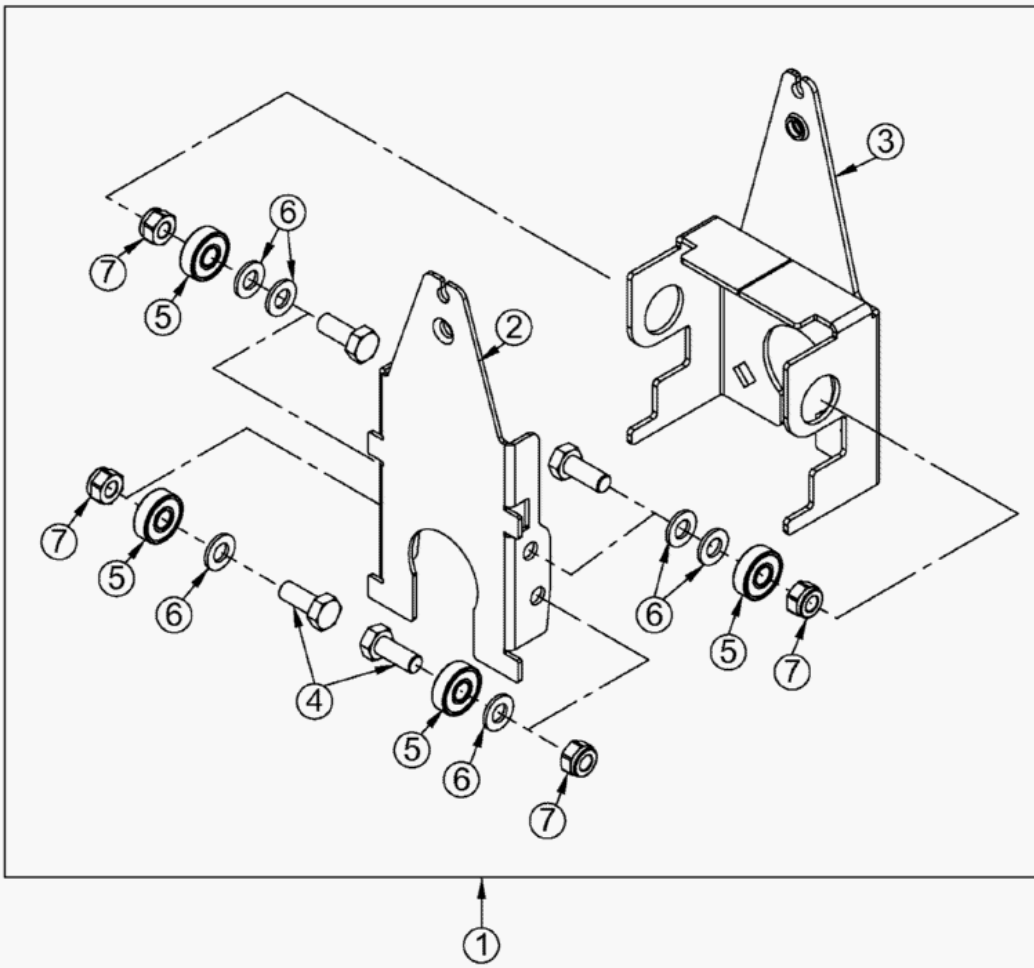
AS 65/2T cat from serial No. 019908020001 – ET documentation – Tension roller mounting full st.

Pos	Art-Nr.	E-Nr.	Menge	Beschreibung	Modell	Info
1	G06725055	E10769	1	Tensioning roller carrier complete		
2	G00028027	E06473	1	DU bush		
3	G06525063	E07208	1	Tension pulley with ball bearing		
4	G06525056	E07891	1	Tension pulley		
5	G07830025	E06524	1	Deep groove ball bearing		
6	G07823016	E07209	1	Circlip for drilled hole (2 Stk.)		
7	G06525057	E07176	1	Tensioning roller sleeve		
8	G07838047	E05320	1	Hexagon screw (10 Stk.)		
9	G00007042	E06037	1	Selflocking nut with serrated bearing (3		
10	G07838019	E03886	1	Hexagon screw (10 Stk.)		
11	G00110013	E03699	1	Spacer sleeve (5 Stk.)		
12	G07906002	E06667	1	Self-locking hex nut (10 Stk.)		
13	G06525054	E07158	1	Tension lever bearing		
14	G07838026	E03932	1	Hexagon screw (10 Stk.)		
15	G07880006	E03957	1	Disc (20 Stk.)		
16	G06725056	E10824	1	Tensioning roller carrier		



AS 65/2T cat from serial No. 019908020001 – ET documentation – Belt pulley transmission full st.

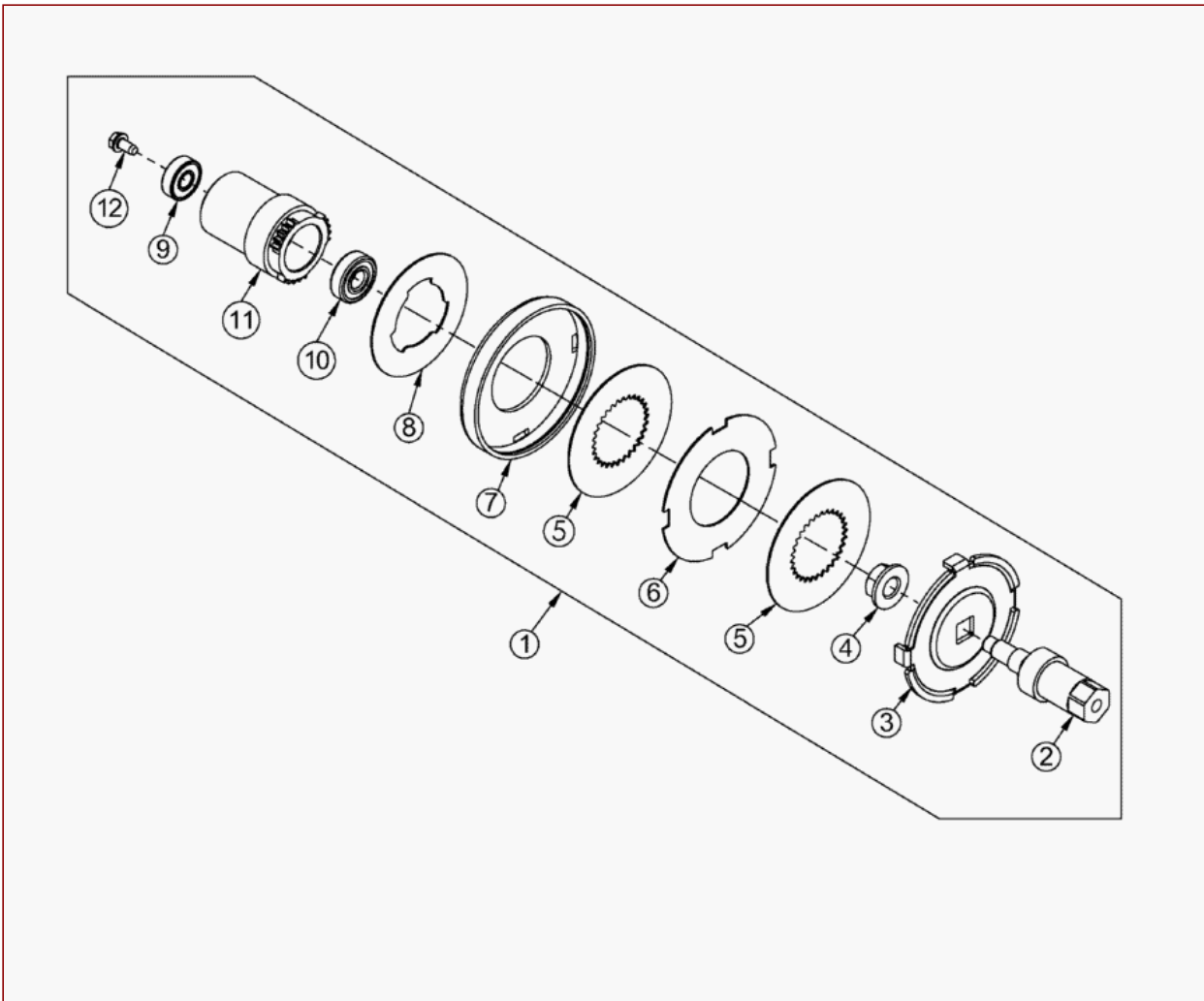
<b>Pos</b>	<b>Art-Nr.</b>	<b>E-Nr.</b>	<b>Menge</b>	<b>Beschreibung</b>	<b>Modell</b>	<b>Info</b>
1	G06730002	E07688	1	Belt pulley hub transmission		
2	G06725014	E07708	2	Belt pulley half		
3	G07890004	E05828	5	Flanged self-tapping screw (3 Stk.)		
4	G00012020	E06750	8	Blind rivet (3 Stk.)		
5	G06730009	E08315	1	Belt pulley transmission total		





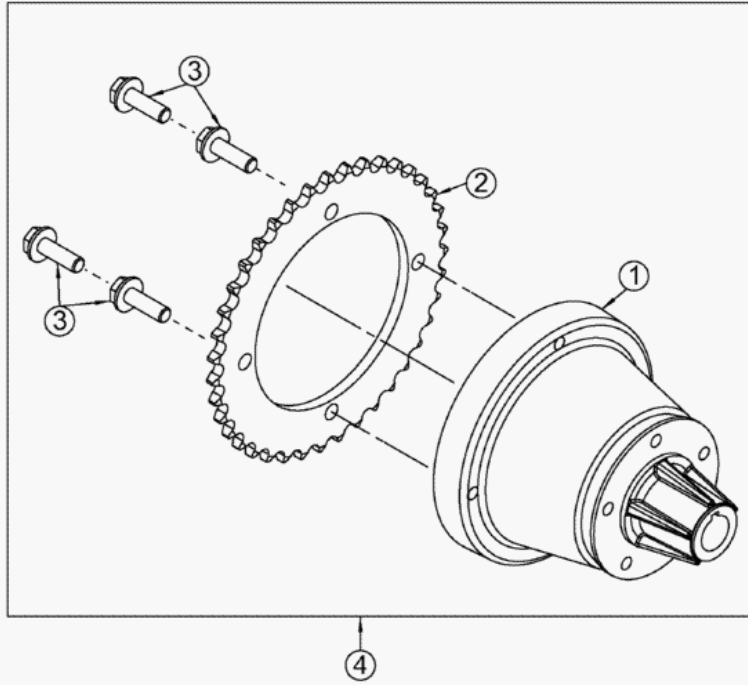
AS 65/2T cat from serial No. 019908020001 – ET documentation – Lever full st.

Pos	Art-Nr.	E-Nr.	Menge	Beschreibung	Modell	Info
1	G06725314	E08272	1	Lever total		
2	G06725304	E08238	1	Lever		
3	G06725303	E08239	1	Lever holder		
4	G07838028	E03938	4	Hexagon screw (10 Stk.)		
5	G07830031	E07211	4	Deep groove ball bearing		
6	G07809004	E01905	6	Disc (20 Stk.)		
7	G07846001	E01912	4	Self-locking hex nut (10 Stk.)		



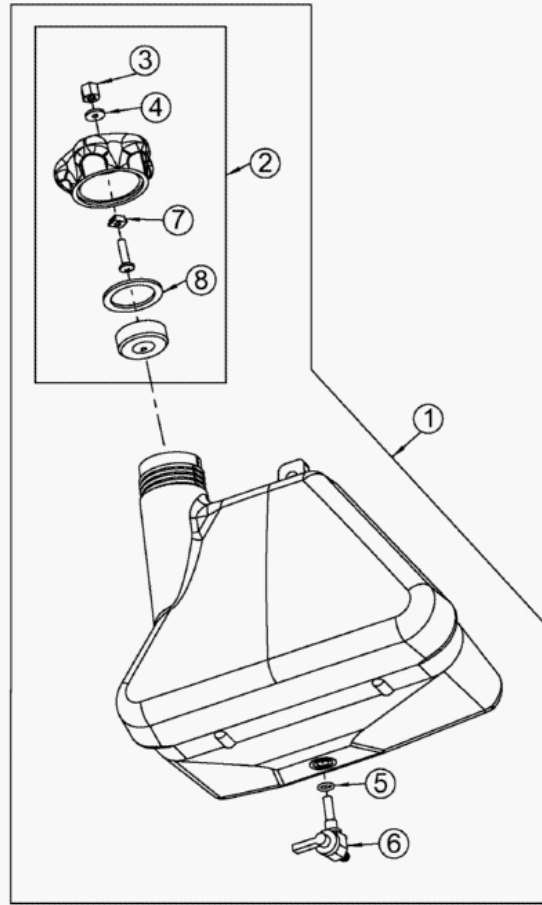
AS 65/2T cat from serial No. 019908020001 – ET documentation – Clutch full st.

Pos	Art-Nr.	E-Nr.	Menge	Beschreibung	Modell	Info
1	G06725305	E08240	1	Clutch total		
2	G06725306	E08244	1	Pinion flange		
3	G04325096	E05410	1	Pressure plate		
4	G00007054	E08241	1	Selflocking nut with serrated bearing		
5	G04325093	E05408	2	Inner lamella		
6	G04325094	E05409	1	Outer lamellas		
7	G04325091	E05407	1	Clutch basket		
8	G06725317	E08242	1	Supporting disc		
9	G07830031	E07211	1	Deep groove ball bearing		
10	G07830014	E04345	1	Deep groove ball bearing		
11	G06725315	E08243	1	Clutch flange		
12	G07890003	E04576	1	Flanged self-tapping screw (3 Stk.)		



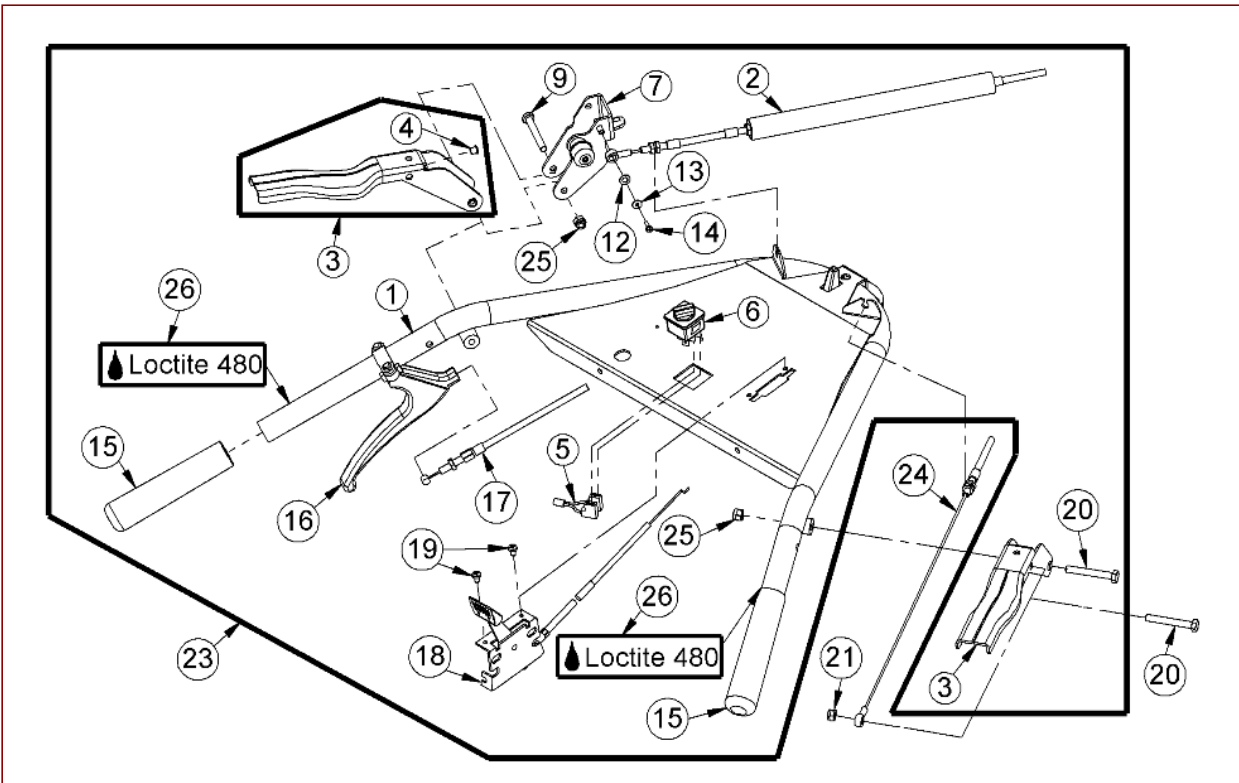
AS 65/2T cat from serial No. 019908020001 – ET documentation – Wheel hub full st.

Pos	Art-Nr.	E-Nr.	Menge	Beschreibung	Modell	Info
1	G06721002	E07266	1	Wheel hub		
2	G06725012	E07686	1	Pinion 39 teeth		
3	G00009085	E06761	4	Hexagon screw		
4	G06721005	E08319	1	Wheel hub total		



AS 65/4TH DS from serial No. 019807404001 – ET documentation – Fuel tank complete with lid

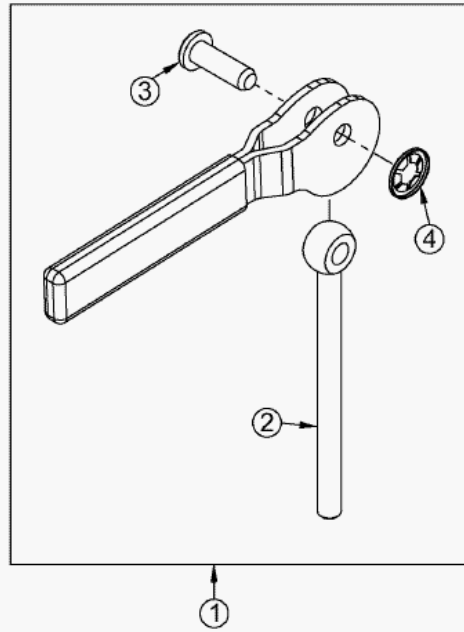
Pos	Art-Nr.	E-Nr.	Menge	Beschreibung	Modell	Info
1	G06580008	E06490	1	Fuel tank total with cap		
2	G06306007	E04783	1	Tank cap total		
3	G00007033	E05247	1	Hexagon cap nut		
4	G00019051	E05246	1	Sealing disc (5 Stk.)		
5	G00006032	E02412	1	O-ring (2 Stk.)		
6	G00022013	E06701	1	Fuel valve		
7	G00007047	E06934	1	Punch and press-in nut		
8	G00019053	E04782	1	Seal (3 Stk.)		





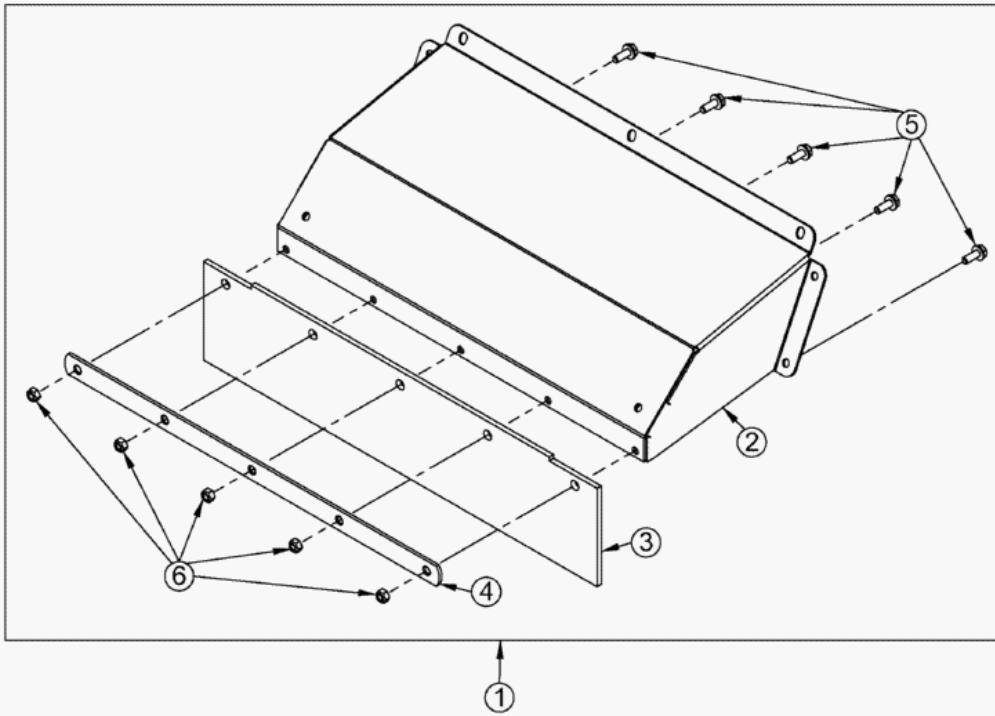
## AS 65 4T Honda and AS 65/4TH DS from serial No. 019808060013 – ET documentation – Handlebar

Pos	Art-Nr.	E-Nr.	Menge	Beschreibung	Modell	Info
1	G06522025	E08014	1	Handlebar		
2	G00020117	E08218	1	Blade drive cable		
3	G06780010	E08306	2	Hand lever with rubber buffer		
4	G00008086	E05973	2	Rubber buffer (2 Stk.)		
5	G06727302	E08839	1	Short circuit cable		
6	G06727001	E07939	1	Selector switch		
7	G06522032	E08015	1	Notch lever total		
9	G07838059	E06632	1	Hexagon screw		
12	G07809003	E01181	1	Disc (20 Stk.)		
13	G07880009	E07936	1	Disc (5 Stk.)		
14	G07878017	E07937	1	Raised cross-head screw (5 Stk.)		
15	G00008114	E08305	2	Handlebar grip (2 Stk.)		
16	G00017025	E06563	1	Actuating lever without safety catch		
17	G00020118	E08253	1	Differential cable		
18	G06722016	E07544	1	Accelerator lever with throttle cable		
19	G07890028	E06594	2	Self-tapping screw (5 Stk.)		
20	G07837068	E07643	2	Hexagon screw (2 Stk.)		
21	G07818001	E01188	1	Hex nut (2 Stk.)		
23	G06722307	E10731	1	Handlebar total		
24	G00020148	E10760	1	Drive cable		
25	G07846008	E03829	2	Self-locking hex nut (10 Stk.)		
26	G00041061	G00041061	1	Loctite 480 (100Gr.)		



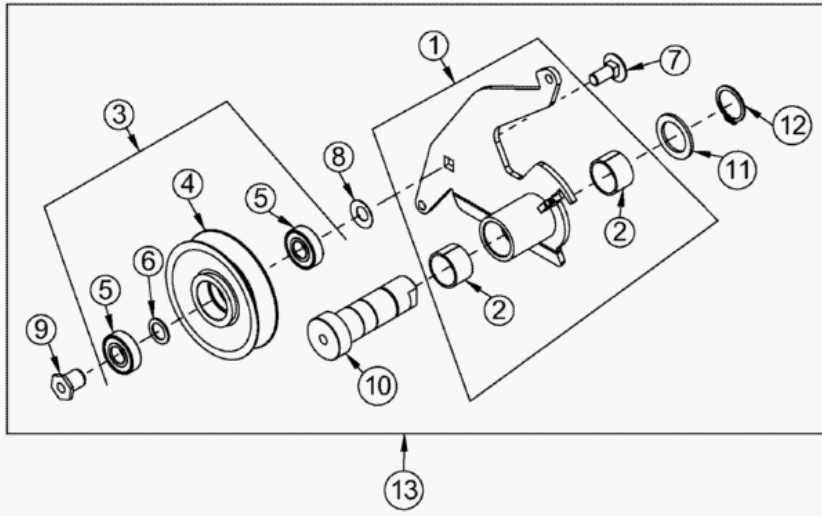
AS 65/2T cat from serial No. 019908020001 – ET documentation – Connection rod tension lever full st.

<b>Pos</b>	<b>Art-Nr.</b>	<b>E-Nr.</b>	<b>Menge</b>	<b>Beschreibung</b>	<b>Modell</b>	<b>Info</b>
1	G07322010	E10119	1	Eccentric lever with eyebolt		
2	G07820004	E10120	1	Eye bolt		
3	G07886001	E04476	1	Bolt with head		
4	G00027001	E04567	1	Shaft locking clip		



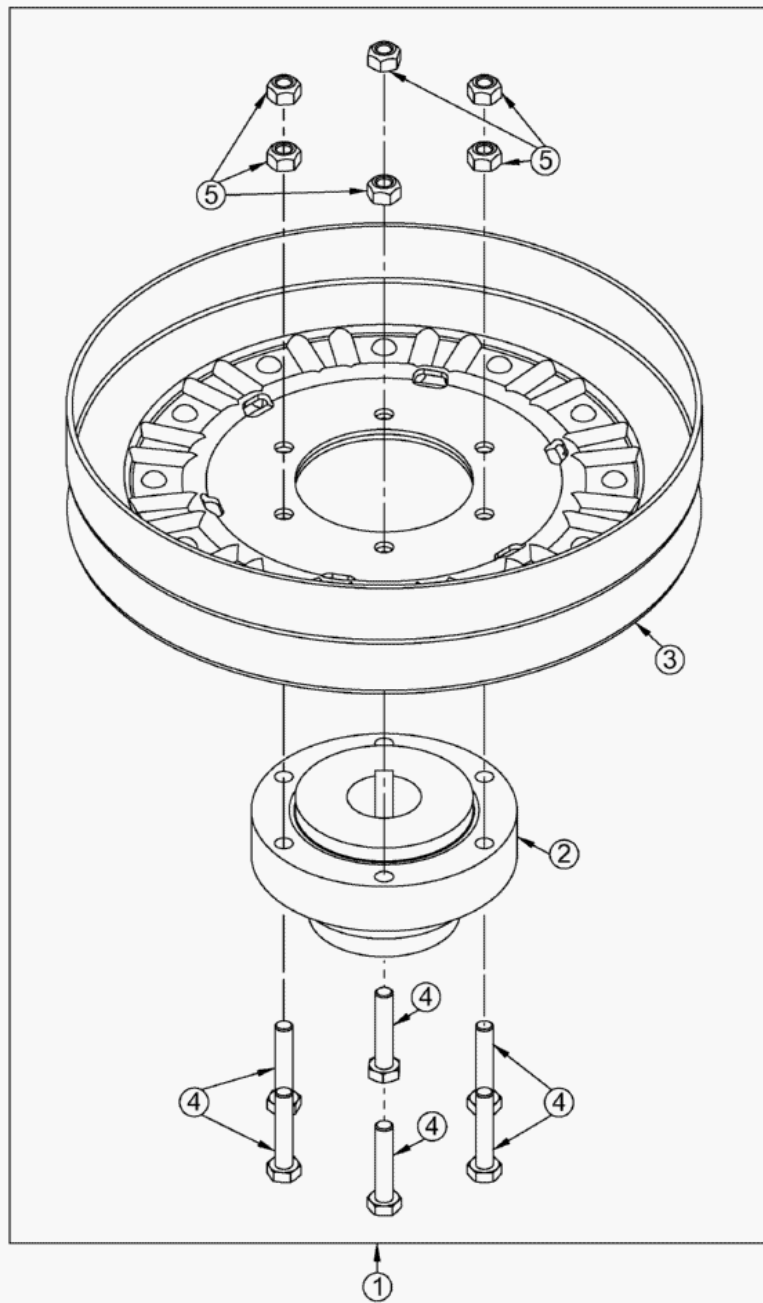
AS 65/2T cat from serial No. 019908020001 – ET documentation – Ejector chute full st.

Pos	Art-Nr.	E-Nr.	Menge	Beschreibung	Modell	Info
1	G06720303	E08257	1	Ejector plate total		
2	G06720017	E07889	1	Ejector plate		
3	G00008113	E08258	1	Self-aligning rubber		
4	G06726006	E07741	1	Self-aligning rubber holder		
5	G00009094	E07247	5	Locking screw (2 Stk.)		
6	G07906002	E06667	5	Self-locking hex nut (10 Stk.)		



AS 65/2T cat from serial No. 019908020001 – ET documentation – Belt tensioner full st.

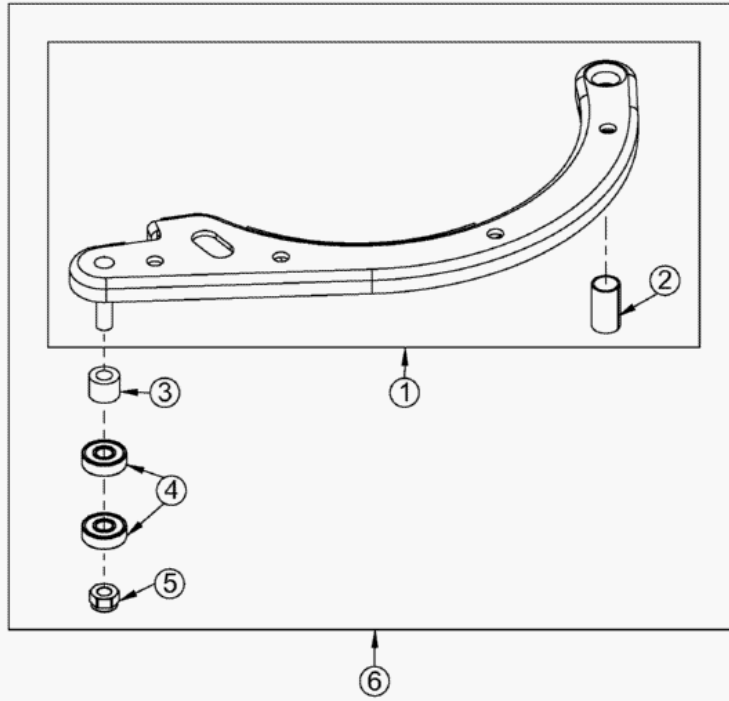
Pos	Art-Nr.	E-Nr.	Menge	Beschreibung	Modell	Info
1	G06725053	E07711	1	Belt tensioner top + DU bushes		
2	G00028001	E02919	2	DU bush (2 Stk.)		
3	G06725043	E07942	1	Tension pulley with ball bearing		
4	G06725011	E07265	1	Tension pulley		
5	G07830035	E07934	2	Deep groove ball bearing		
6	G07847010	E03113	1	Shim (10 Stk.)		
7	G07827004	E04379	1	Mushroom head square neck bolt (5 Stk.)		
8	G07856011	E05856	1	Disc spring (3 Stk.)		
9	G06725027	E07712	1	Sleeve		
10	G06725308	E08259	1	Tension lever bearing		
11	G07847044	E07061	1	Shim (2 Stk.)		
12	G07822014	E07729	1	Circlip for shaft (5 Stk.)		
13	G06725307	E08314	1	Belt tensioner total		





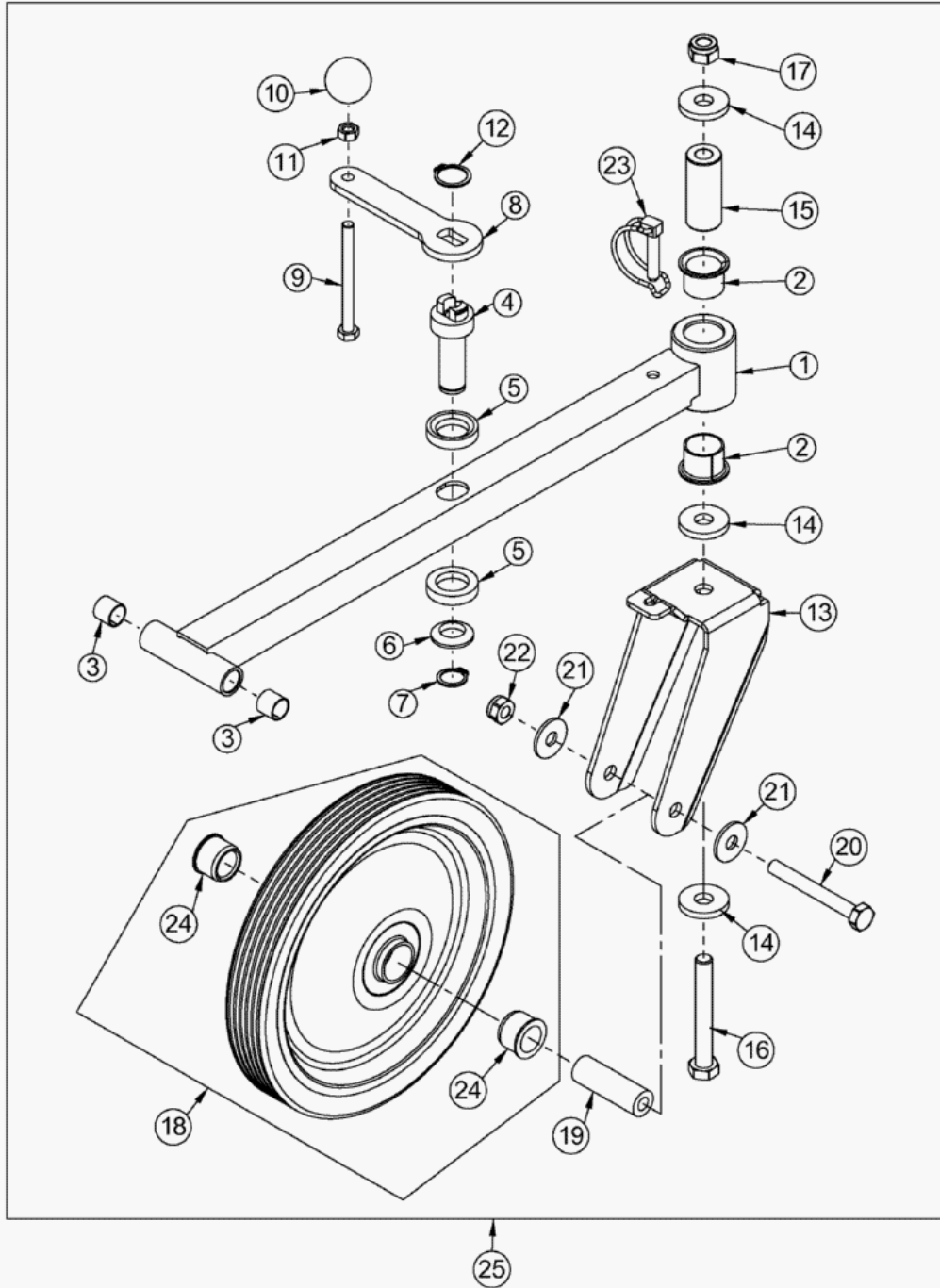
AS 65/2T cat from serial No. 019908020001 – ET documentation – Belt pulley AS65 complete.

Pos	Art-Nr.	E-Nr.	Menge	Beschreibung	Modell	Info
1	G06725309	E08260	1	Belt pulley total		
2	G06725004	E07531	1	Belt pulley hub		
3	G06725005	E07264	1	Belt pulley drum total		
4	G07838027	E03933	6	Hexagon screw (10 Stk.)		
5	G07906002	E06667	6	Self-locking hex nut (10 Stk.)		



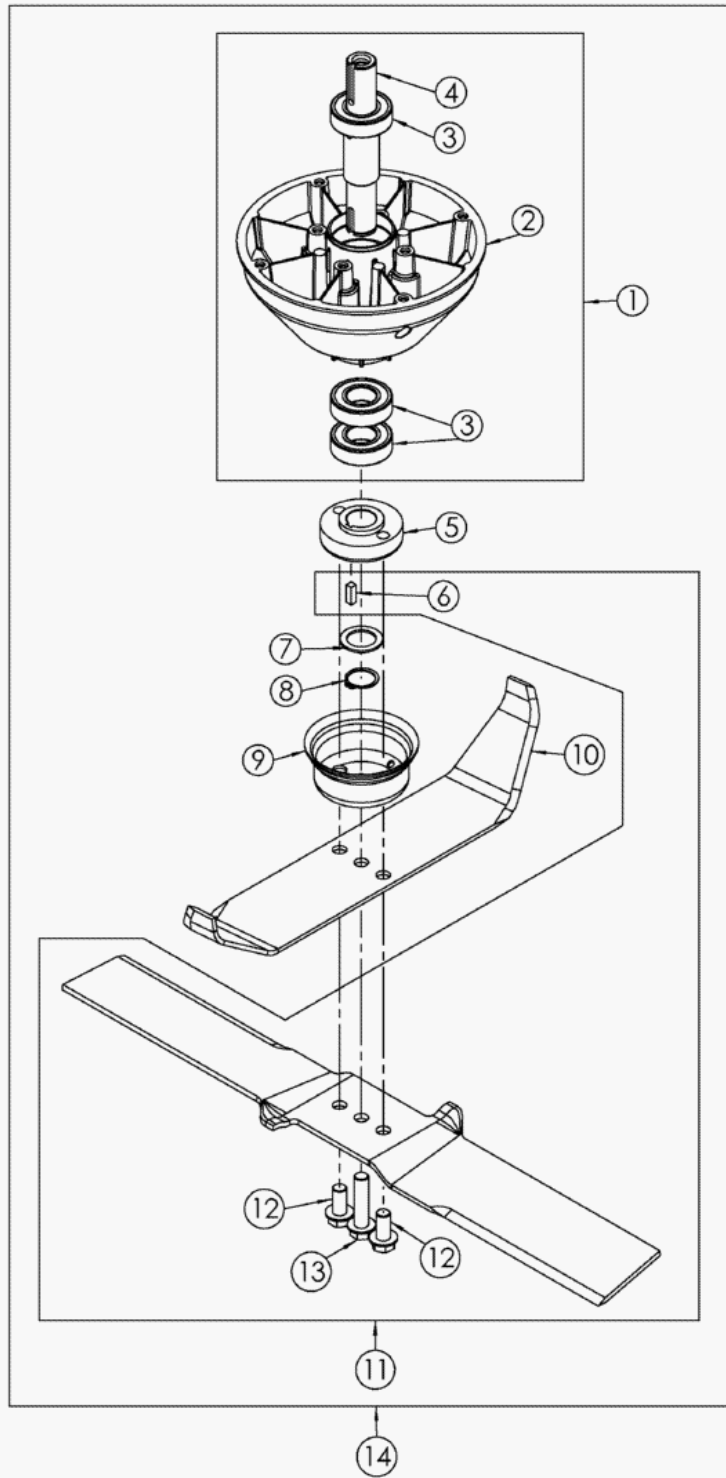
AS 65/2T cat from serial No. 019908020001 – ET documentation – Brake lever full st.

Pos	Art-Nr.	E-Nr.	Menge	Beschreibung	Modell	Info
1	G06734001	E07699	1	Brake lever with lining and DU bush		
2	G00028022	E06364	1	DU bush		
3	G00024029	E07722	1	Sleeve		
4	G07830031	E07211	2	Deep groove ball bearing		
5	G07846001	E01912	1	Self-locking hex nut (10 Stk.)		
6	G06734006	E08316	1	Brake lever total		



## AS 65/2T cat from serial No. 019908020001 – ET documentation – Wheel strut full st.

Pos	Art-Nr.	E-Nr.	Menge	Beschreibung	Modell	Info
1	G06722002	E07701	1	Wheel strut total		
2	G00028030	E07204	2	DU flanged bush		
3	G00028003	E03108	2	DU bush		
4	G06722006	E07703	1	Wheel adjustment nut		
5	G07909002	E07730	2	Conical seat		
6	G06722005	E07702	1	Spherical washer		
7	G07822003	E02935	1	Circlip for shaft (10 Stk.)		
8	G06520332	E07186	1	Crank		
9	G07837049	E06873	1	Hexagon screw (2 Stk.)		
10	G07917001	E07245	1	Spherical button		
11	G07839003	E01906	1	Hex nut (10 Stk.)		
12	G07822014	E07729	1	Circlip for shaft (5 Stk.)		
13	G06722008	E07705	1	Wheel fork		
14	G07861004	E07213	3	Disc		
15	G06522323	E07173	1	Wheel fork bolt		
16	G07837065	E07226	1	Hexagon screw		
17	G07846006	E01972	1	Self-locking hex nut (2 Stk.)		
18	G06521305	E07241	1	Front wheel		
19	G06521302	E06511	1	Hub tube		
20	G07837055	E06661	1	Hexagon screw		
21	G07880001	E01980	2	Disc (10 Stk.)		
22	G07846005	E01968	1	Self-locking hex nut (10 Stk.)		
23	G00027015	E07881	1	Tube linchpin		
24	G06322157	E04057	2	Collar bush		
25	G06780013	E08321	1	Wheel strut total + DU bushes		



AS 65/2T cat from serial No. 019908020001 – ET documentation – Blade bearing with blades

Pos	Art-Nr.	E-Nr.	Menge	Beschreibung	Modell	Info
1	G06723005	E07261	1	Blade bearing with shaft, bearing + 1 x		
2	G06723004	E07260	1	Blade baring		
3	G07830026	E04436	3	Deep groove ball bearing		
4	G06723003	E07258	1	Blade shaft 1 + 1 x E07718		
5	G06723007	E07707	1	Cutter disc		
6	G07865021	E08293	1	Feather key		
7	G07847015	E03928	1	Supporting disc		
8	G07822001	E02116	1	Circlip for shaft (5 Stk.)		
9	G06723006	E07262	1	Winding protection cover		
10	G06823005	E08405	1	Mulching blade 434		
11	<del>G06780302</del>	<del>E08363</del>	1	<del>Replaced by E12384</del>		
	 G06780306	E12384	1	Blade AS65 with bolts		
12	G00009097	E07718	2	Locking screw		
13	G00009111	E08291	1	Locking screw		
14	G06780306	E12384	1	Blade AS65 with bolts		



Pos.Nr.	ET-Nr.	Benennung
1	E12752	Aufkleber - Set AS 65; 73 und 84



AS 65/2T from serial No. 014902303001 – ET documentation – Instruction plate - set

<b>Pos</b>	<b>Art-Nr.</b>	<b>E-Nr.</b>	<b>Menge</b>	<b>Beschreibung</b>	<b>Modell</b>	<b>Info</b>
1	G06780017	E12752	1	Instruction plate-set AS 65, 73 und 84		