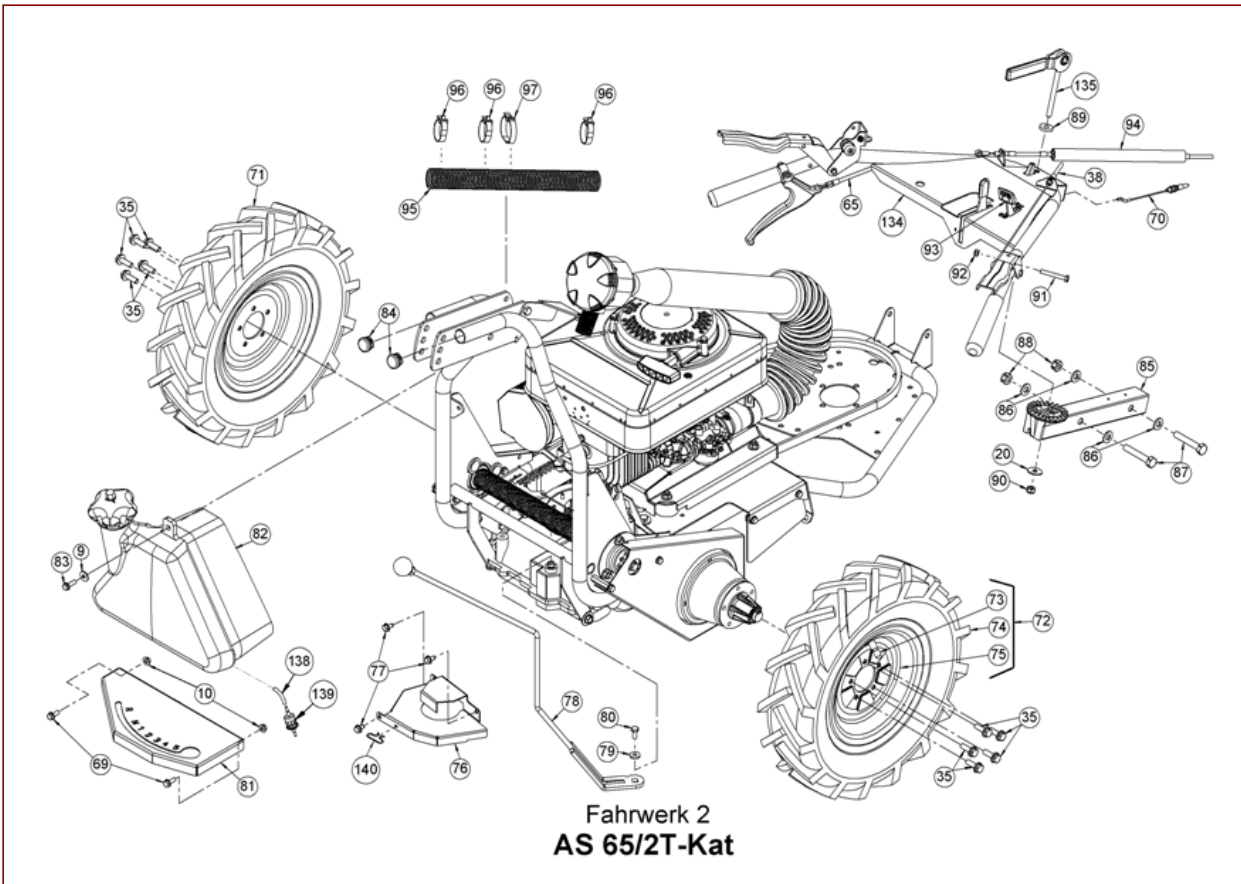


AS 65 2T and AS 65/2T cat from serial No. 019911020001 – ET documentation – Chassis Fig. 1

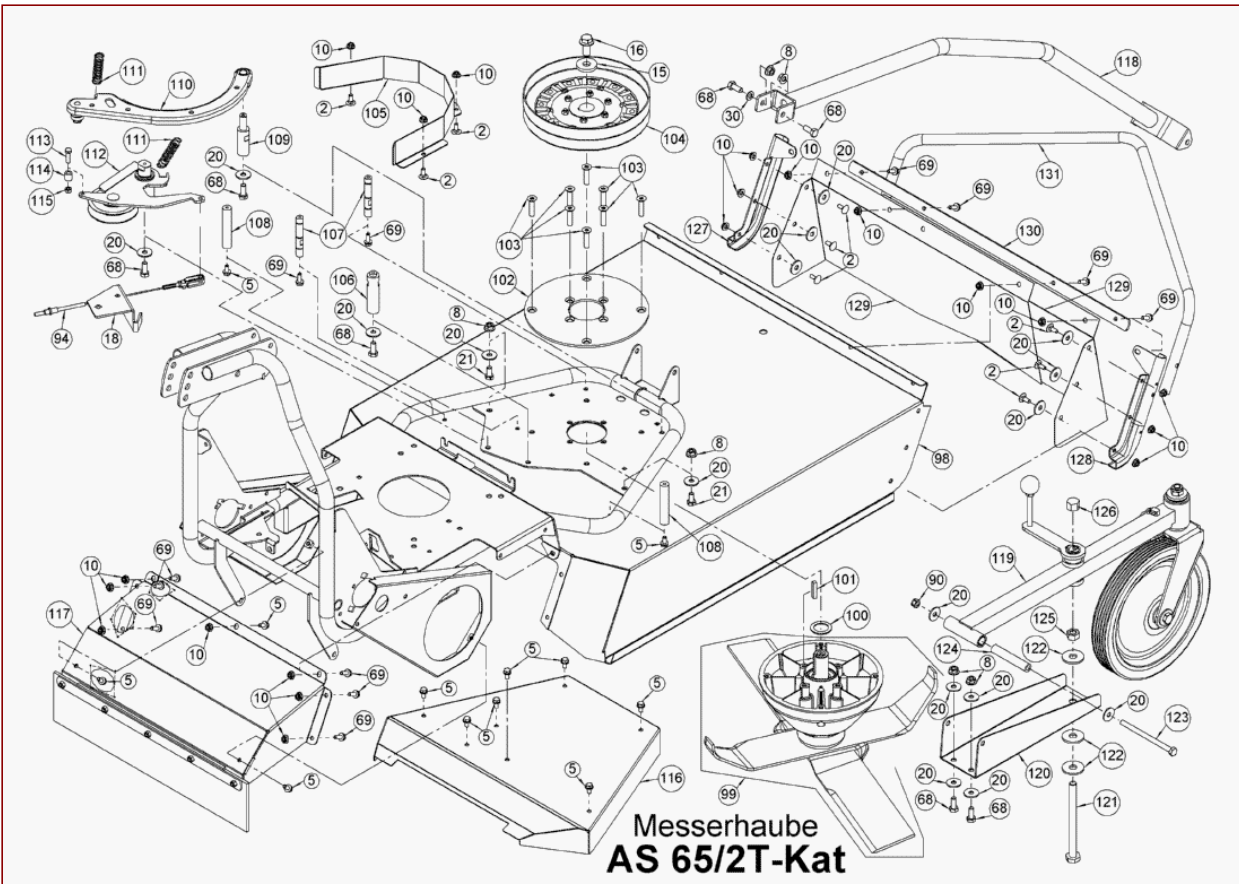
Pos	Art-Nr.	E-Nr.	Menge	Beschreibung	Modell	Info
1	G06720034	E10768	1	Engine mount total		
2	G07827003	E04262	2	Mushroom head square neck bolt (5 Stk.)		
3	G00007052	E07876	4	Connection nut (2 Stk.)		
4	G07827004	E04379	7	Mushroom head square neck bolt (5 Stk.)		
5	G00009016	E04631	12	Hexagon screw with serration (5 Stk.)		
7	G07862012	E04352	4	Tooth lock washer (20 Stk.)		
8	G00007042	E06037	18	Selflocking nut with serrated bearing (3		
9	G07880004	E03914	2	Disc (20 Stk.)		
10	G00007041	E05975	5	Selflocking nut with serrated bearing (3		
11	G07857032	E08216	1	High performance V-belt		
12	G07857033	E08228	1	High performance V-belt		
13	G07865004	E02593	1	Feather key (3 Stk.)		
14	G00625006	E10767	1	Engine hub total		
15	G07861004	E07213	1	Disc		
16	G00009097	E07718	1	Locking screw		
17	G06725300	E08235	1	Belt holder		
18	G06725301	E08236	1	Holder		
19	G06725056	E10824	1	Tensioning roller carrier		
20	G07880006	E03957	3	Disc (20 Stk.)		
21	G07838026	E03932	1	Hexagon screw (10 Stk.)		
22	G00002065	E10773	1	Draw spring		
23	G06730001	E07878	1	Shift transmission		
24	G06730016	E10770	1	Brake lever plate		
25	G00009041	E05728	1	Collar screw		
26	G06730009	E08315	1	Belt pulley transmission total		
27	G07822008	E04351	1	Circlip for shaft (20 Stk.)		
28	G07866004	E06682	1	Curved washer (3 Stk.)		
29	G07890015	E06032	2	Flanged self-tapping screw (2 Stk.)		
30	G07809004	E01905	4	Disc (20 Stk.)		
31	G07837005	E03142	4	Hexagon screw (4 Stk.)		
32	G06730017	E10771	1	Deflection lever		
33	G07830031	E07211	1	Deep groove ball bearing		
34	G06822031	E08449	1	Bearing washer		
35	G00009085	E06761	1	Hexagon screw		
36	G07856010	E04337	1	Disc spring (5 Stk.)		
37	G00010109	E08394	1	Mudguard washer (5 Stk.)		
38	G00020148	E10760	1	Drive cable		
39	G00002064	E10772	1	Draw spring		
40	G07810007	E10774	3	Disc (3 Stk.)		
41	G07830019	E04737	2	Deep groove ball bearing		
42	G06725312	E08237	2	Bearing plate		
43	G06725314	E08272	1	Lever total		
44	G06725305	E08240	1	Clutch total		
45	G06725302	E08245	1	Clutch shaft		
46	G07865019	E07723	1	Feather key (4 Stk.)		
47	G00001084	E08246	1	Pressure spring		
48	G00026032	E08247	1	Concertina hose		
49	G06725316	E08248	2	Chain pinion support ring		
50	G06725013	E07687	2	Pinion 12 teeth		
51	G00010133	E12385	2	Disc		
52	G00009108	E08177	2	Hexagon screw with serration (3 Stk.)		
53	G06726004	E07715	2	Side protector		
54	G00007055	E08289	6	Box nut (5 Stk.)		
55	G06721003	E07700	4	Thrust washer		
56	G00010105	E07873	2	Thrust washer		
57	G06721005	E08319	2	Wheel hub total		
58	G07865015	E07267	2	Feather key (2 Stk.)		
59	G07847046	E07725	2	Shim (3 Stk.)		

60	G07822013	E07726	2	Circlip for shaft (4 Stk.)		
61	G06580018	E10819	2	Chain 59 links with lock		
62	G06525035	E06425	2	Chain joint		
63	G06726025	E10775	1	Chain protection left		
64	G06726026	E10776	1	Chain protection right		
65	G00020118	E08253	1	Differential cable		
66	G06305022	E08330	1	Air intake hose total		
67	G06722304	E08262	1	Air intake hose holder		
68	G07838028	E03938	1	Hexagon screw (10 Stk.)		
70	G00020150	E10762	1	Engine brake cable		
133	G07913009	E10862	1	Flange screw (10 Stk.)		
137	G00600027		1			



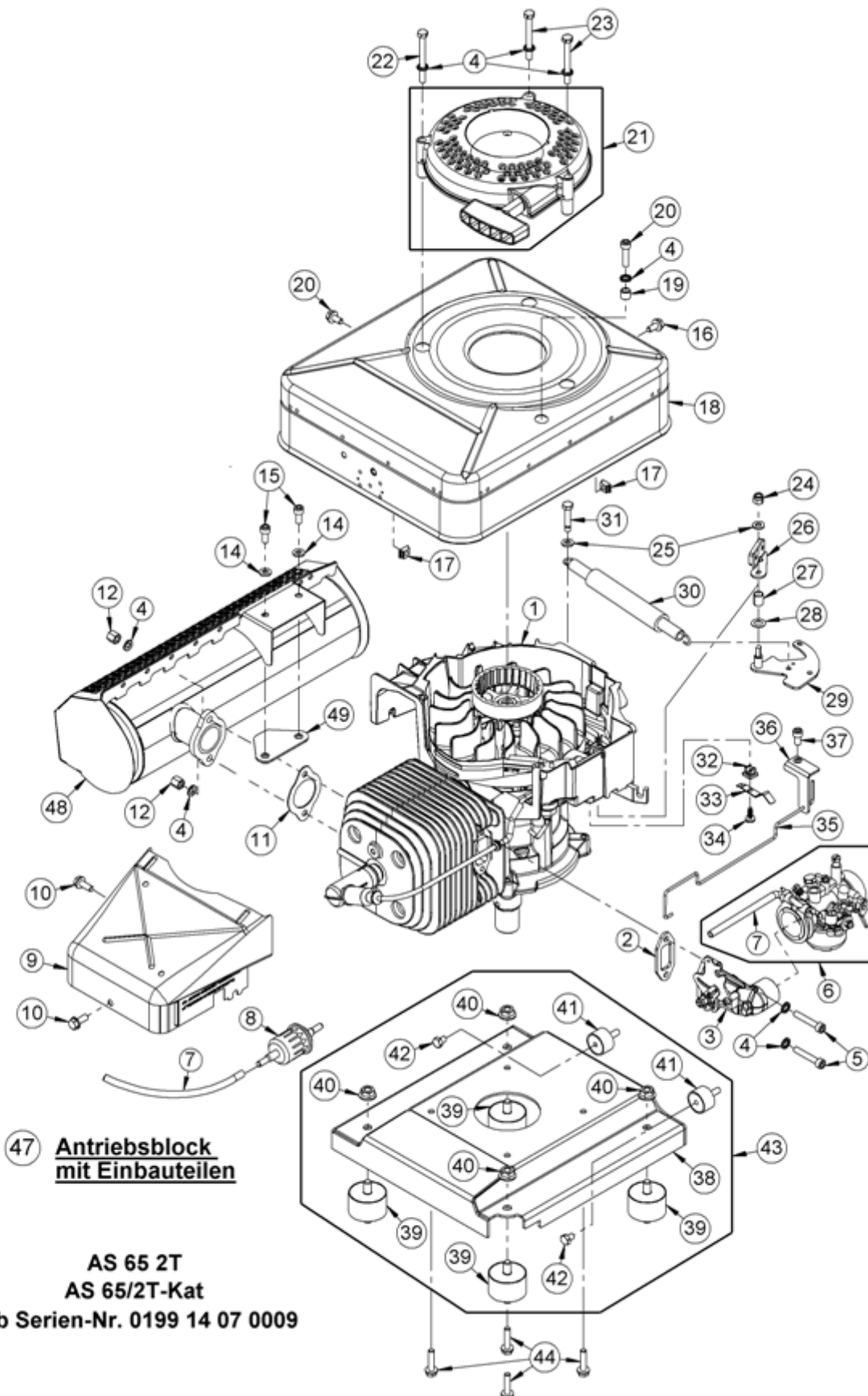
AS 65 2T and AS 65/2T cat from serial No. 019911020001 – ET documentation – Chassis Fig. 2

Pos	Art-Nr.	E-Nr.	Menge	Beschreibung	Modell	Info
9	G07880004	E03914	1	Disc (20 Stk.)		
10	G00007041	E05975	2	Selflocking nut with serrated bearing (3		
20	G07880006	E03957	1	Disc (20 Stk.)		
35	G00009085	E06761	10	Hexagon screw		
38	G00020148	E10760	1	Drive cable		
65	G00020118	E08253	1	Differential cable		
69	G00009094	E07247	2	Locking screw (2 Stk.)		
70	G00020150	E10762	1	Engine brake cable		
71	G06321022	E06159	1	Profile wheel left 4.80/4.00-8		
72	G06321026	E06196	1	Profile wheel right 4.80/4.00-8		
73	G06321027	E06327	2	Tube 400-8		
74	G06350089	E06568	2	Cover for profile wheel (4.00/4.80)		
75	G06350099	E06569	2	Rim for profile wheel (4.00/4.80)		
76	G06726311	E10777	1	Cover rear		
77	G07890025	E06093	3	Flanged self-tapping screw (2 Stk.)		
78	G06730010	E08027	1	Shift rod total		
79	G07861005	E07877	1	Disc (2 Stk.)		
80	G00009061	E06679	1	Inch screw (5 Stk.)		
81	G06730015	E08026	1	Gear change indicator		
82	G06580008	E06490	1	Fuel tank total with cap		
83	G00009074	E06365	1	Self-tapping screw (2 Stk.)		
84	G00029009	E06141	2	Lamella plugs (2 Stk.)		
85	G06522001	E06729	1	Intermediate strut total		
86	G07809008	E03668	4	Disc (5 Stk.)		
87	G07837003	E01958	2	Hexagon screw (2 Stk.)		
88	G07846005	E01968	2	Self-locking hex nut (10 Stk.)		
89	G07861006	E07940	1	Disc		
90	G07846001	E01912	1	Self-locking hex nut (10 Stk.)		
91	G07837068	E07643	1	Hexagon screw (2 Stk.)		
92	G07918001	E07269	1	Self-locking hex nut (6 Stk.)		
93	G06722016	E07544	1	Accelerator lever with throttle cable		
94	G00020117	E08218	1	Blade drive cable		
95	G00026030	E07952	1	Concertina hose		
96	G00026004	E04391	3	Cable tape (2 Stk.)		
97	G00026003	E03782	1	Cable tape (2 Stk.)		
134	G06722311	E10834	1	Handlebar total		
135	G07322010	E10119	1	Eccentric lever with eyebolt		
138	G00150085	E04585	1	Fuel hose 1 metre		
139	G00023004	E12374	1	Filter		
140	G00005028	E04903	1	Cable holder		



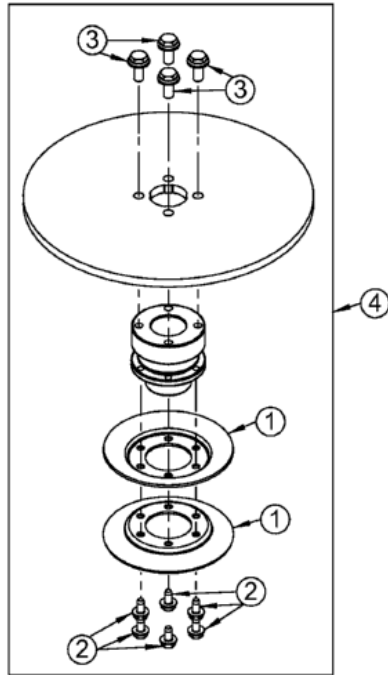
AS 65/2T cat from serial No. 019908020001 – ET documentation – Blade cover

Pos	Art-Nr.	E-Nr.	Menge	Beschreibung	Modell	Info
2	G07827003	E04262	5	Mushroom head square neck bolt (5 Stk.)		
5	G00009016	E04631	5	Hexagon screw with serration (5 Stk.)		
8	G00007042	E06037	3	Selflocking nut with serrated bearing (3		
10	G00007041	E05975	3	Selflocking nut with serrated bearing (3		
15	G07861004	E07213	1	Disc		
16	G00009097	E07718	1	Locking screw		
18	G06725301	E08236	1	Holder		
20	G07880006	E03957	20	Disc (20 Stk.)		
21	G07838026	E03932	10	Hexagon screw (10 Stk.)		
30	G07809004	E01905	20	Disc (20 Stk.)		
69	G00009094	E07247	2	Locking screw (2 Stk.)		
68	G07838028	E03938	10	Hexagon screw (10 Stk.)		
90	G07846001	E01912	10	Self-locking hex nut (10 Stk.)		
94	G00020117	E08218	1	Blade drive cable		
98	G06720301	E08256	1	Blade hood		
99	G06723300	E08322	1	Blade bearing with blade		
100	G07847015	E03928	1	Supporting disc		
101	G07865011	E06649	1	Feather key		
102	G06720016	E07731	1	Hood disc		
103	G00009100	E07874	3	Countersunk screw with inside Torx (3 St		
104	G06725309	E08260	1	Belt pulley total		
105	G06725039	E07738	1	Belt plate		
106	G06720014	E07693	1	Tension lever bearing		
107	G06720013	E07692	1	Spring bolt		
108	G06525312	E06653	1	Belt support		
109	G06734005	E07716	1	Brake lever bearing		
110	G06734006	E08316	1	Brake lever total		
111	G00002056	E07867	1	Draw spring		
112	G06725307	E08314	1	Belt tensioner total		
113	G07838019	E03886	10	Hexagon screw (10 Stk.)		
114	G00024007	E06034	1	Spacer sleeve		
115	G07906002	E06667	10	Self-locking hex nut (10 Stk.)		
116	G06726303	E08261	1	Belt covering		
117	G06720303	E08257	1	Ejector plate total		
118	G06722009	E07706	1	Upper strut total		
119	G06780013	E08321	1	Wheel strut total + DU bushes		
120	G06720015	E07888	1	Bar stiffener		
121	G07838069	E07720	1	Hexagon screw		
122	G07880008	E04407	10	Disc (10 Stk.)		
123	G07837058	E06886	2	Hexagon screw (2 Stk.)		
124	G06722007	E07704	1	Bar bolt		
125	G07839015	E03921	4	Hex nut (4 Stk.)		
126	G07854004	E07880	1	Hexagon cap nut		
127	G06726001	E07743	1	Protection bar holder left		
128	G06726002	E07744	1	Protection bar holder right		
129	G06726003	E07257	1	Protection skirt (2 Stk.)		
130	G06726304	E08263	1	Protection skirt holder		
131	G06726305	E08264	1	Protection bar		



AS 65 2T and AS 65/2T cat from serial No. 019914070001 – ET documentation – Drive block

Pos	Art-Nr.	E-Nr.	Menge	Beschreibung	Modell	Info
1	G00680062	E12391	1	Bare engine PLUS		
2	G00105038	E03487	1	Insulating plate		
3	G00105083	E11783	1	Intake manifold with shut-off panel		
4	G00042006	E05862	8	Detent edge disc (5 Stk.)		
5	G07833009	E04934	2	Hexagon socket head cap screw (3 Stk.)		
6	G00605026	E10797	1	Carburetor with hose cat. engine		
7	G00150085	E04585	1	Fuel hose 1 metre		
8	G00023004	E12374	1	Filter		
9	G00107036	E10790	1	Cooling air guide		
10	G07913004	E10189	2	Hexagon screw with flange		
11	G00109003	E03366	1	Exhaust gasket		
12	G00007025	E03706	2	Special nut (10 Stk.)		
14	G07809006	E01940	2	Disc (10 Stk.)		
15	G07833042	E11516	2	Hexagon socket head cap screw (10 Stk.)		
16	G07913008	E10836	2	Flange screw (20 Stk.)		
17	G00007047	E06934	2	Punch and press-in nut		
18	G00110027	E11782	1	Engine cover		
19	G00110013	E03699	1	Spacer sleeve (5 Stk.)		
20	G07833007	E04854	1	Hexagon socket head cap screw (4 Stk.)		
21	G00180086	E10820	1	Starter total + SK plate		
22	G07837025	E04227	1	Hexagon screw		
23	G07837014	E03744	2	Hexagon screw (5 Stk.)		
24	G07846008	E03829	1	Self-locking hex nut (10 Stk.)		
25	G07809006	E01940	2	Disc (10 Stk.)		
26	G00134006	E06132	1	Brake lever with brake lining		
27	G00028021	E11921	1	DU bush		
28	G07812006	E07549	1	Spring disc (5 Stk.)		
29	G00134038	E11749	1	Actuating lever		
30	G00180136	E11810	1	Draw spring		
31	G00134040	E11793	1	Screw spring bearing		
32	G00008078	E05463	1	Insulating piece (3 Stk.)		
33	G00134016	E06343	1	Short circuiting contact		
34	G07875018	E07950	1	Raised cross-head sheet metal screw (5 S		
35	G00134028	E10765	1	panel rod		
36	G00134039	E11811	1	Panel rod bearing		
37	G07833013	E05657	1	Hexagon socket head cap screw (3 Stk.)		
38	G00612007	E10766	1	Engine mount		
39	G00008112	E08231	4	Rubber element		
40	G00007042	E06037	4	Selflocking nut with serrated bearing (3		
41	G00008049	E08283	2	Rubber element		
42	G07838022	E03910	2	Hexagon screw (10 Stk.)		
43	G00612009	E10840	1	Engine mount total		
44	G07913009	E10862	4	Flange screw (10 Stk.)		
47	G00680071	E11914	1	Driving unit + filter		
48	G00109115	E13123	1	Catalyst exhaust		
49	G00109116	E13129	1	Threaded plate		

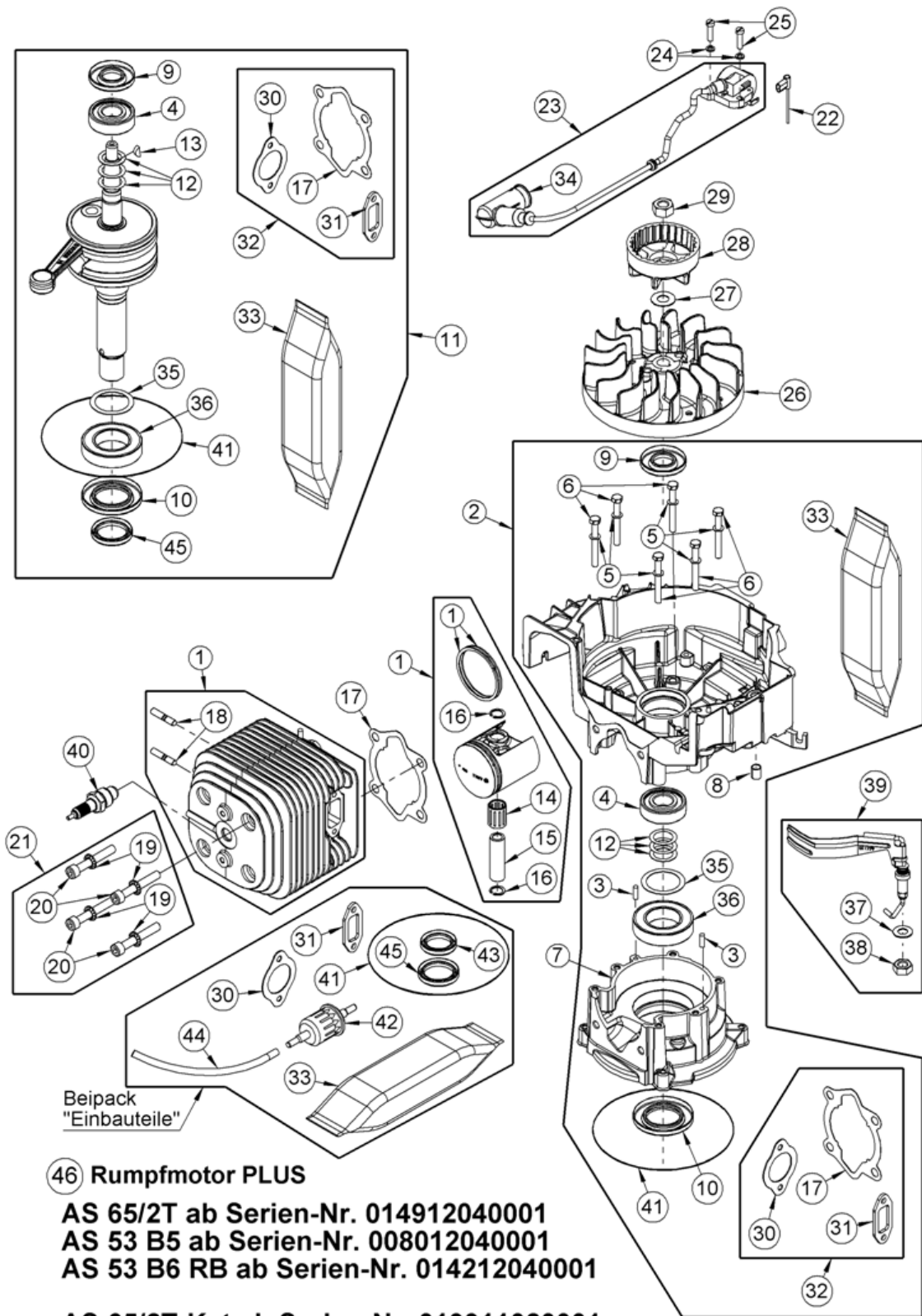


Motornabe vollst.

AS 65/2T

AS 65/2T cat from serial No. 019908020001 – ET documentation – Engine hub complete

Pos	Art-Nr.	E-Nr.	Menge	Beschreibung	Modell	Info
1	G06725048	E08059	1	Belt pulley half dw 95		
2	G07890025	E06093	2	Flanged self-tapping screw (2 Stk.)		
3	G00009146	E10417	4	Locking screw (4 Stk.)		
4	G00625006	E10767	1	Engine hub total		



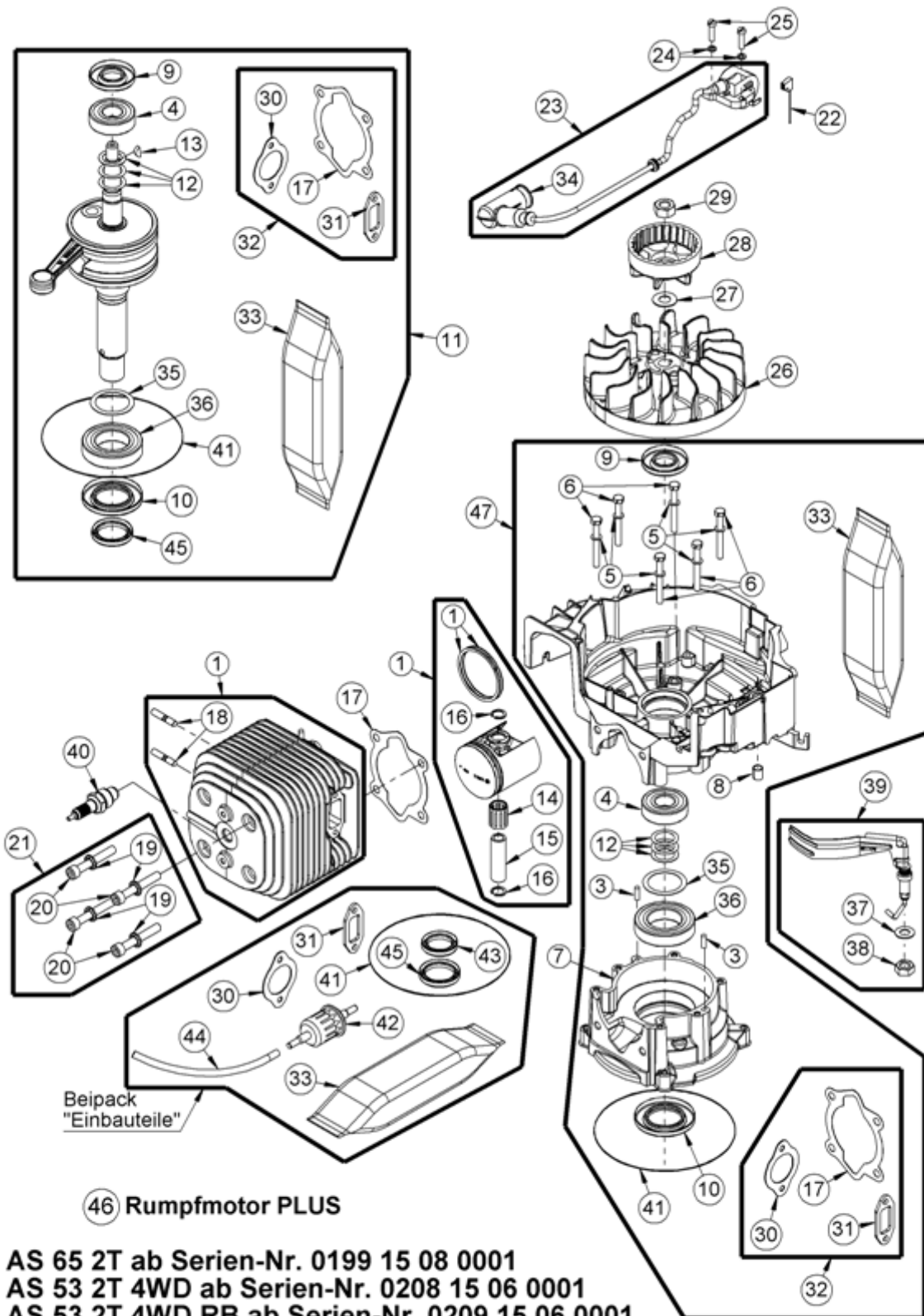
46 Rumpfmotor PLUS

AS 65/2T ab Serien-Nr. 014912040001
AS 53 B5 ab Serien-Nr. 008012040001
AS 53 B6 RB ab Serien-Nr. 014212040001

AS 65/2T-Kat ab Serien-Nr. 019911020001
AS 53 B5-Kat ab Serien-Nr. 020811030001
AS 53 B6 RB-Kat ab Serien-Nr. 020911030021

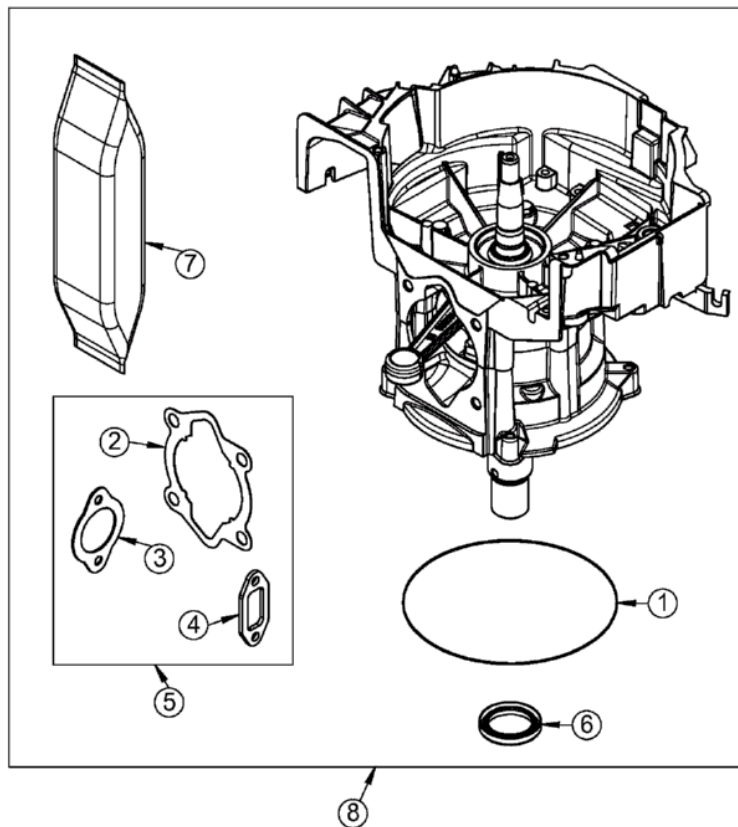
AS 53 2T 4WD and AS 53 B5 cat from serial No. 020811030001 – ET documentation – Basic engine PLUS

Pos	Art-Nr.	E-Nr.	Menge	Beschreibung	Modell	Info
1	1	1	1			
2	G00180132	E11919	1	Crankcase + mounting parts + 4717		
3	G07801001	E01901	2	Zylindersti.5M6x14 DIN EN 2338 (10 Stk.)		
4	G07830016	E03344	1	Deep groove ball bearing		
5	G07812004	E01920	6	Spring disc (20 Stk.)		
6	G07837014	E03744	6	Hexagon screw (5 Stk.)		
7	G00041003	E04718	1	LOCTITE 572 (50 ml)		
8	G00028021	E11921	1	DU bush		
9	G07858003	E03345	1	Shaft seal ring		
10	G00180117	E10958	1	Shaft seal ring + notice		
11	G00680021	E10543	1	Crankshaft + mounting parts + E04717		
12	G00180045	E04923	1	Shims 1 set		
13	G07866003	E03361	1	Curved washer (10 Stk.)		
14	G00036003	E03369	1	Needle cage		
15	G07883003	E03342	1	Piston bolt		
16	G07823008	E03343	2	Circlip for drilled hole (2 Stk.)		
17	G00103009	E03349	1	Cylinder base gasket (2 Stk.)		
18	G07832006	E01254	2	Stud (4 Stk.)		
19	G00042004	E05863	4	Detent edge disc (5 Stk.)		
20	G07833006	E04692	4	Hexagon socket head cap screw		
21	G00180012	E05322	1	Fixing device for cylinder (6 HP)		
22	G00104027	E11819	1	Short circuit cable 160 long		
23	G00104026	E11818	1	Ignition coil with cable and plug		
24	G07811006	E01908	2	Spring washer (20 Stk.)		
25	G07802028	E03372	2	Cylinder screw (5 Stk.)		
26	G00107038	E11725	1	Impeller		
27	G07856009	E03958	1	Disc spring (5 Stk.)		
28	G00111031	E04212	1	Tappet		
29	G07839015	E03921	1	Hex nut (4 Stk.)		
30	G00109003	E03366	1	Exhaust gasket		
31	G00105038	E03487	1	Insulating plate		
32	G00180003	E03683	1	Seal set 6 hp motor		
33	G00041001	E04717	1	Grease for gears (300 ml)		
34	G00104015	E03494	1	Spark plug connector		
35	G07847026	E04924	1	Shim (5 Stk.)		
36	G07830011	E03101	1	Deep groove ball bearing		
37	G07856005	E03483	1	Disc spring (5 Stk.)		
38	G07839018	E03484	1	Hex nut (2 Stk.)		
39	G00680050	E11779	1	Wind vane with mounting parts (4 wheel)		
40	G00104014	E01061	1	Spark plug		
41	G00006050	E03114	1	O-ring		
42	G00023004	E12374	1	Filter		
43	G00037007	E03107	1	Shaft seal ring		
44	G00150085	E04585	1	Fuel hose 1 metre		
45	G07858004	E04236	1	Shaft seal ring		
46	G00680062	E12391	1	Bare engine PLUS		
E10909	G00103023	E10909	1	Cylinder Ø 60.00		
E10910	G00150136	E10910	1	Cylinder Ø 60.02		
E10493	G00180067	E10493	1	Piston Ø 59.92 + needle cage + 2 ST ring		
E10494	G00180068	E10494	1	Piston Ø 59.94 + needle cage + 2 ST ring		
E10495	G00180069	E10495	1	Piston Ø 60.05 + needle cage + 2 ST ring		
E10496	G00180070	E10496	1	Piston Ø 60.45 + needle cage + 2 ST ring		
E10580	G00180078	E10580	1	1 Set of semi trapez. rings Ø 59.92		
E10723	G00180083	E10723	1	Semi-trapez. rings 60.05 (1 set=2 rings)		
E10724	G00180084	E10724	1	Semi-trapez. rings 60.45 (1 set=2 rings)		



AS 65 2T and AS 65/2T cat from serial No. 019914070001 – ET documentation – Basic engine PLUS from serial No. 019915080001

Pos	Art-Nr.	E-Nr.	Menge	Beschreibung	Modell	Info
1	1	1	1			
3	G07801001	E01901	2	Zylindersti.5M6x14 DIN EN 2338 (10 Stk.)		
4	G07830016	E03344	1	Deep groove ball bearing		
5	G07812004	E01920	6	Spring disc (20 Stk.)		
6	G07837014	E03744	6	Hexagon screw (5 Stk.)		
7	G00041003	E04718	1	LOCTITE 572 (50 ml)		
8	G00028021	E11921	1	DU bush		
9	G07858003	E03345	1	Shaft seal ring		
10	G00180117	E10958	1	Shaft seal ring + notice		
11	G00680021	E10543	1	Crankshaft + mounting parts + E04717		
12	G00180045	E04923	1	Shims 1 set		
13	G07866003	E03361	1	Curved washer (10 Stk.)		
14	G00036003	E03369	1	Needle cage		
15	G07883003	E03342	1	Piston bolt		
16	G07823008	E03343	2	Circlip for drilled hole (2 Stk.)		
17	G00103009	E03349	1	Cylinder base gasket (2 Stk.)		
18	G07832001		2			
19	G00042004	E05863	4	Detent edge disc (5 Stk.)		
20	G07833006	E04692	4	Hexagon socket head cap screw		
21	G00180012	E05322	1	Fixing device for cylinder (6 HP)		
22	G00104027	E11819	1	Short circuit cable 160 long		
23	G00104026	E11818	1	Ignition coil with cable and plug		
24	G07811006	E01908	2	Spring washer (20 Stk.)		
25	G07802028	E03372	2	Cylinder screw (5 Stk.)		
26	G00107038	E11725	1	Impeller		
27	G07856009	E03958	1	Disc spring (5 Stk.)		
28	G00111031	E04212	1	Tappet		
29	G07839015	E03921	1	Hex nut (4 Stk.)		
30	G00109003	E03366	1	Exhaust gasket		
31	G00105038	E03487	1	Insulating plate		
32	G00180003	E03683	1	Seal set 6 hp motor		
33	G00041001	E04717	1	Grease for gears (300 ml)		
34	G00104015	E03494	1	Spark plug connector		
35	G07847026	E04924	1	Shim (5 Stk.)		
36	G07830011	E03101	1	Deep groove ball bearing		
37	G07856005	E03483	1	Disc spring (5 Stk.)		
38	G07839018	E03484	1	Hex nut (2 Stk.)		
39	G00680050	E11779	1	Wind vane with mounting parts (4 wheel)		
40	G00104014	E01061	1	Spark plug		
41	G00006050	E03114	1	O-ring		
42	G00023004	E12374	1	Filter		
43	G00037007	E03107	1	Shaft seal ring		
44	G00150085	E04585	1	Fuel hose 1 metre		
45	G07858004	E04236	1	Shaft seal ring		
46	G00680062	E12391	1	Bare engine PLUS		
47	G00180157	G00180157	1	Crankcase + mounting parts + 4717		
E10909	G00103023	E10909	1	Cylinder Ø 60.00		
E10910	G00150136	E10910	1	Cylinder Ø 60.02		
E10493	G00180067	E10493	1	Piston Ø 59.92 + needle cage + 2 ST ring		
E10494	G00180068	E10494	1	Piston Ø 59.94 + needle cage + 2 ST ring		
E10495	G00180069	E10495	1	Piston Ø 60.05 + needle cage + 2 ST ring		
E10496	G00180070	E10496	1	Piston Ø 60.45 + needle cage + 2 ST ring		
E10580	G00180078	E10580	1	1 Set of semi trapez. rings Ø 59.92		
E10723	G00180083	E10723	1	Semi-trapez. rings 60.05 (1 set=2 rings)		
E10724	G00180084	E10724	1	Semi-trapez. rings 60.45 (1 set=2 rings)		



Rumpfmotor

Lieferumfang :

fertig
montiert

Kurbelgehäuse
Kurbelwelle
Rillenkugellager
Passscheiben
Wellendichtringe

beiliegend

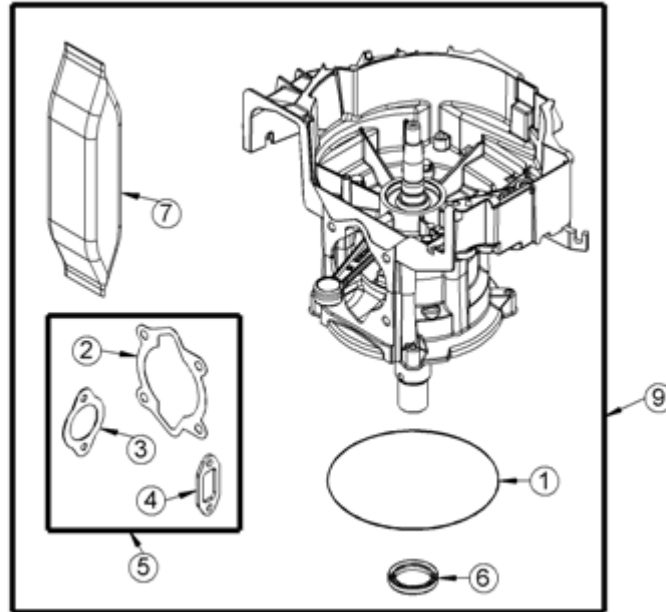
Rundschnurring
Wellendichtring
Dichtungssatz
Getriebefliessfett (300ml)

AS 65/2T ab Serien-Nr. 014912040001
AS 53 B5 ab Serien-Nr. 008012040001
AS 53 B6 RB ab Serien-Nr. 014212040001

AS 65/2T-Kat ab Serien-Nr. 019911020001
AS 53 B5-Kat ab Serien-Nr. 020811030001
AS 53 B6 RB-Kat ab Serien-Nr. 020911030021

AS 65 2T and AS 65/2T cat from serial No. 019911020001 – ET documentation – Basic engine

Pos	Art-Nr.	E-Nr.	Menge	Beschreibung	Modell	Info
1	G00006050	E03114	1	O-ring		
2	G00103009	E03349	2	Cylinder base gasket (2 Stk.)		
3	G00109003	E03366	1	Exhaust gasket		
4	G00105038	E03487	1	Insulating plate		
5	G00180003	E03683	1	Seal set 6 hp motor		
6	G07858004	E04236	1	Shaft seal ring		
7	G00041001	E04717	1	Grease for gears (300 ml)		
8	G00680058	E11918	1	Bare engine		



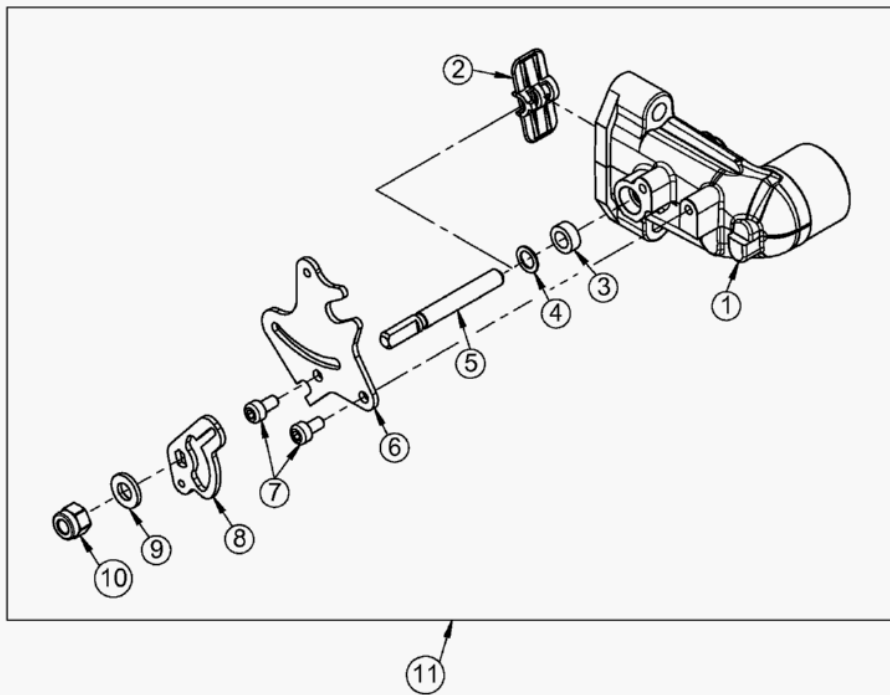
Rumpfmotor

AS 65 2T ES ab Serien-Nr. 0271 15 04 0001
AS 65 2T ab Serien-Nr. 0199 15 08 0001
AS 53 2T 4WD ab Serien-Nr. 0208 15 06 0001
AS 53 2T 4WD RB ab Serien-Nr. 0209 15 06 0001

	Lieferumfang :	Delivery contents:	Éléments inclus à la livraison :
fertig montiert :	<div style="border: 1px solid black; padding: 5px;"> Kurbelgehäuse Kurbelwelle Rillenkugellager Passscheiben Wellendichtringe </div>	<div style="border: 1px solid black; padding: 5px;"> Crankcase Crankshaft Deep groove ball bearing Shims Shaft seal ring </div>	<div style="border: 1px solid black; padding: 5px;"> Pré-assemblé : Carter de vilebrequin Vilebrequin Roulement à billes rainuré Rondelles d'ajustage Bague à lèvres </div>
beiliegend :	<div style="border: 1px solid black; padding: 5px;"> Rundschnurring Wellendichtring Dichtungssatz Getriebefliessfett (300ml) </div>	<div style="border: 1px solid black; padding: 5px;"> Unmounted : O-ring Shaft seal ring Seal set Grease for gears (300ml) </div>	<div style="border: 1px solid black; padding: 5px;"> Compris : Joint torique Bague à lèvres Jeu de joints Graisse à engrenages (300ml) </div>

AS 65 2T and AS 65/2T cat from serial No. 019914070001 – ET documentation – Basic engine from serial No. 019915080001

Pos	Art-Nr.	E-Nr.	Menge	Beschreibung	Modell	Info
1	G00006050	E03114	1	O-ring		
2	G00103009	E03349	1	Cylinder base gasket (2 Stk.)		
3	G00109003	E03366	1	Exhaust gasket		
4	G00105038	E03487	1	Insulating plate		
5	G00180003	E03683	1	Seal set 6 hp motor		
6	G07858004	E04236	1	Shaft seal ring		
7	G00041001	E04717	1	Grease for gears (300 ml)		
9	G00680086	G00680086	1	Bare engine		

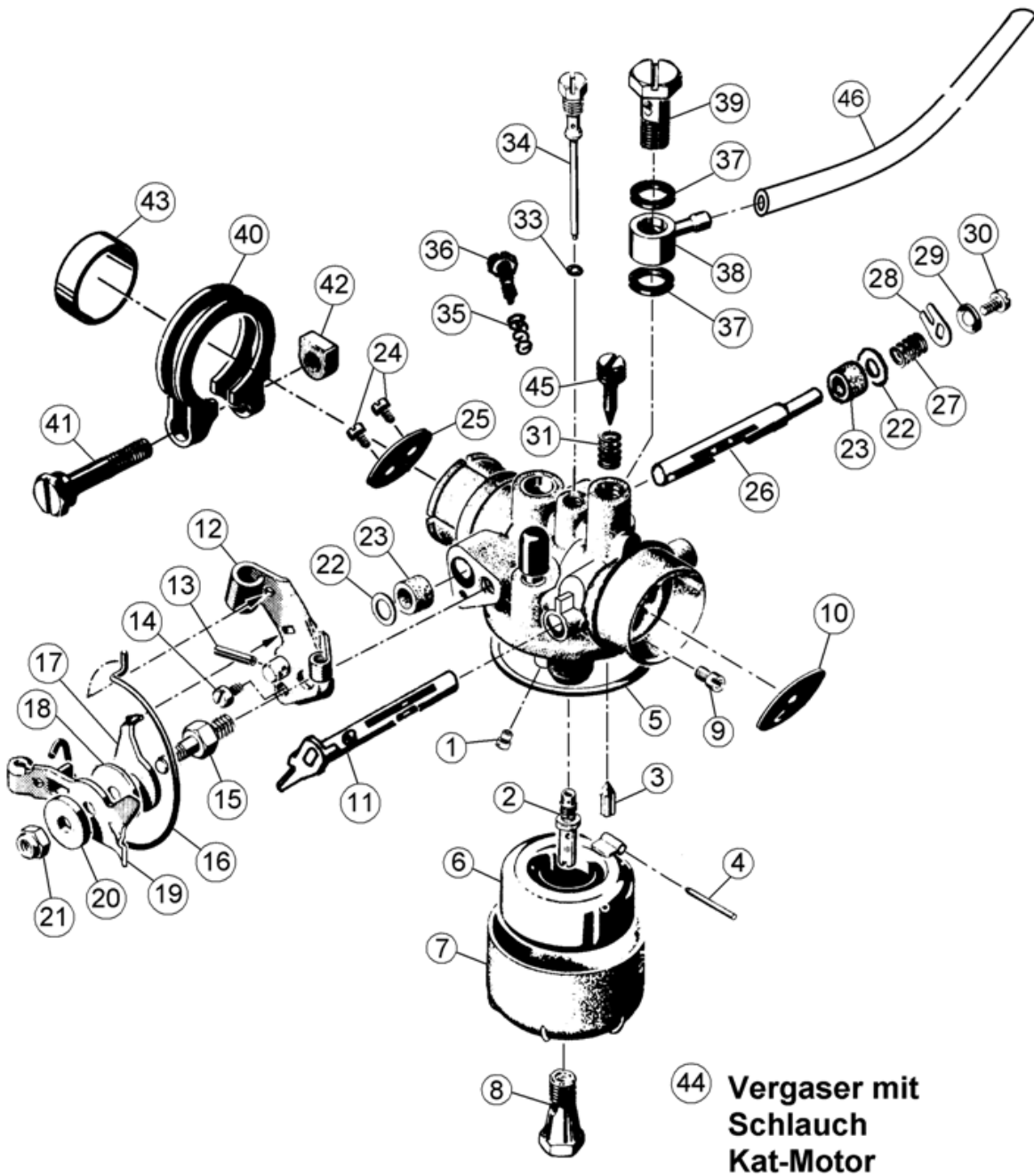


Ansaugstutzen mit Sperrklappe

ab 03.2011

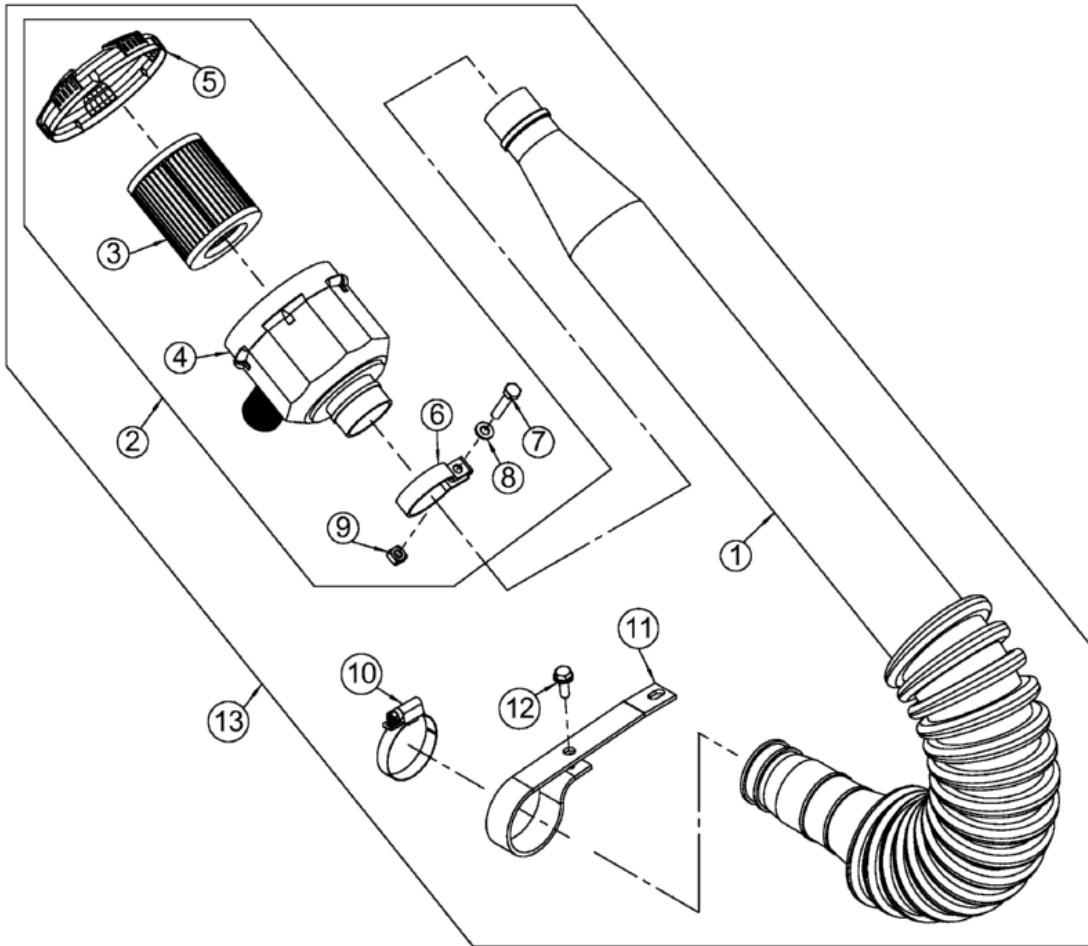
AS 45 B4-Kat from serial No. 021011040001 – ET documentation – Suction nozzle with shut-off flap

Pos	Art-Nr.	E-Nr.	Menge	Beschreibung	Modell	Info
1	G00105066	E10583	1	Intake manifold		
2	G00105071	E10587	1	Shut-off panel		
3	G00150031	E02776	10	Sealing sleeve (10 Stk.)		
4	G00150077	E03475	10	Disc (10 Stk.)		
5	G00105067	E10584	1	panel shaft		
6	G00105084	E11812	1	Bearing plate		
7	G07833036	E10802	10	Hexagon socket head cap screw (10 Stk.)		
8	G00105070	E10586	1	panel lever		
9	G07809006	E01940	10	Disc (10 Stk.)		
10	G07846008	E03829	10	Self-locking hex nut (10 Stk.)		
11	G00105083	E11783	1	Intake manifold with shut-off panel		



AS 45 B4-Kat from serial No. 021008020001 – ET documentation – Carburettor cat-motor

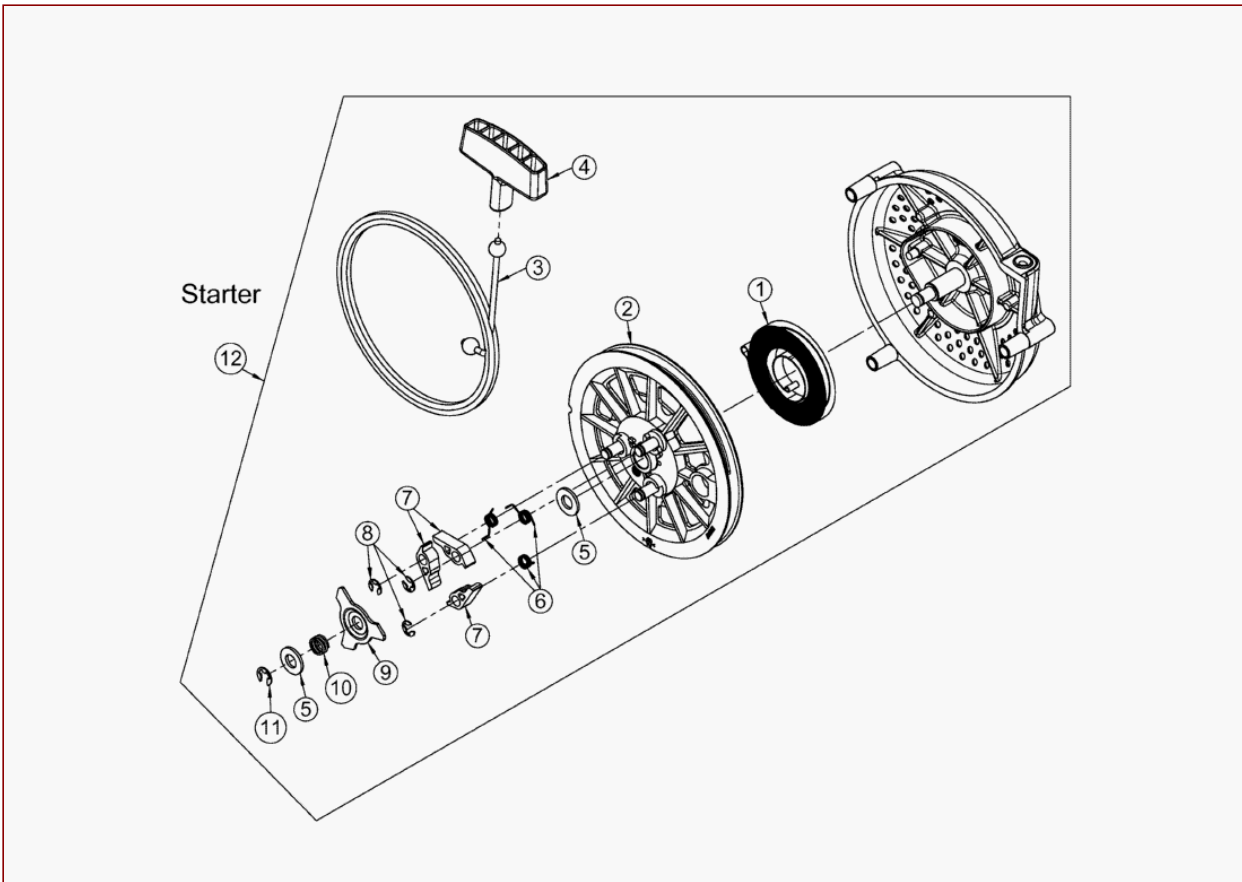
Pos	Art-Nr.	E-Nr.	Menge	Beschreibung	Modell	Info
1	G00150131	E10851	1	Main nozzle 79		
2	G00150132	E10852	1	Mixing tube		
3	G00150089	E04784	1	Flood needle		
4	G00350014	E01203	1	Pin (10 Stk.)		
5	G00350015	E01206	1	Gasket (2 Stk.)		
6	G00250025	E05496	1	Floater		
7	G00150016	E02760	1	Float cap		
8	G00150133	E10853	1	Nozzle body		
9	G00750019	E01205	1	Air correction jet 70 series		
10	G00150060	E03398	1	Choke		
11	G00150059	E03397	1	Starter axle with lever right		
12	G00150025	E02770	1	Arm left		
13	G00150026	E02771	1	Feather key (10 Stk.)		
14	G00150024	E02769	1	Cylinder screw (10 Stk.)		
15	G00150023	E02768	1	Stud (2 Stk.)		
16	G00150022	E02767	1	Hairpin spring (2 Stk.)		
17	G00150075	E03473	1	Washer disc (3 Stk.)		
18	G00150020	E02765	1	Brake disc (10 Stk.)		
19	G00150074	E03472	1	Hand lever		
20	G00150018	E02763	1	Disc (10 Stk.)		
21	G07846002	E01932	1	Self-locking hex nut (5 Stk.)		
22	G00150077	E03475	2	Disc (10 Stk.)		
23	G00150031	E02776	2	Sealing sleeve (10 Stk.)		
24	G00150067	E03464	2	Raised countersunk head screw (5 Stk.)		
25	G00150062	E03400	1	Throttle valve		
26	G00150061	E03399	1	Throttle shaft		
27	G00150083	E04501	1	Spring (10 Stk.)		
28	G00150084	E04502	1	Throttle lever (3 Stk.)		
29	G00150043	E02788	1	Waved washer (10 Stk.)		
30	G00150044	E02789	1	Raised head screw (10 Stk.)		
31	G00150069	E03466	1	Spring (2 Stk.)		
33	G00150082	E04223	1	Gasket (10 Stk.)		
34	G00150134	E10854	1	Idle nozzle 45		
35	G00150072	E03469	1	Spring (2 Stk.)		
36	G00150073	E03470	1	Adjusting screw		
37	G00750023	E01210	2	Gasket (10 Stk.)		
38	G00950022	E02506	1	Hose swivel joint		
39	G00150006	E01248	1	Screw		
40	G00150068	E03465	1	Clamping ring		
41	G00150034	E02779	1	Clamping screw		
42	G00150036	E02781	1	Nut (5 Stk.)		
43	G00150090	E04932	1	Insulating bush		
44	G00605026	E10797	1	Carburetor with hose cat. engine		
45	G00150137	E10915	1	Air adjust screw		
46	G00150085	E04585	1	Fuel hose 1 metre		



Luftansaugschlauch vollst.

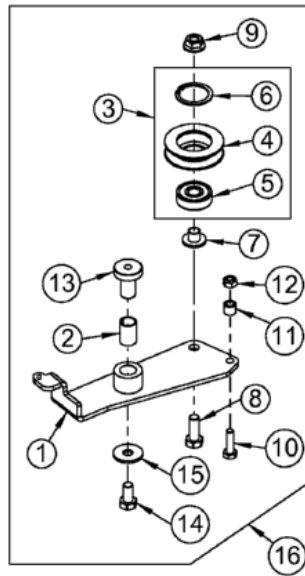
AS 65/2T cat from serial No. 019908020001 – ET documentation – Air intake hose complete

Pos	Art-Nr.	E-Nr.	Menge	Beschreibung	Modell	Info
1	G06305002	E03696	1	Air intake hose		
2	G06305023	E07543	1	Air filter total		
3	G06350106	E07545	1	Filter insert		
4	G06350108	E08198	1	Replaced by E07543		
	G06305023	E07543	1	Air filter total		
5	G06350107	E08180	1	Cover for air filter		
6	G00034024	E07547	1	Pipe clip		
7	G07838027	E03933	10	Hexagon screw (10 Stk.)		
8	G07809006	E01940	10	Disc (10 Stk.)		
9	G07825002	E04225	5	Square nut (5 Stk.)		
10	G00034013	E04242	1	Hose clamp		
11	G00105022	E03388	1	Holder		
12	G00009024	E04519	3	Self-tapping screw (3 Stk.)		
13	G06305022	E08330	1	Air intake hose total		



AS 45 B4-Kat from serial No. 021008020001 – ET documentation – Starter

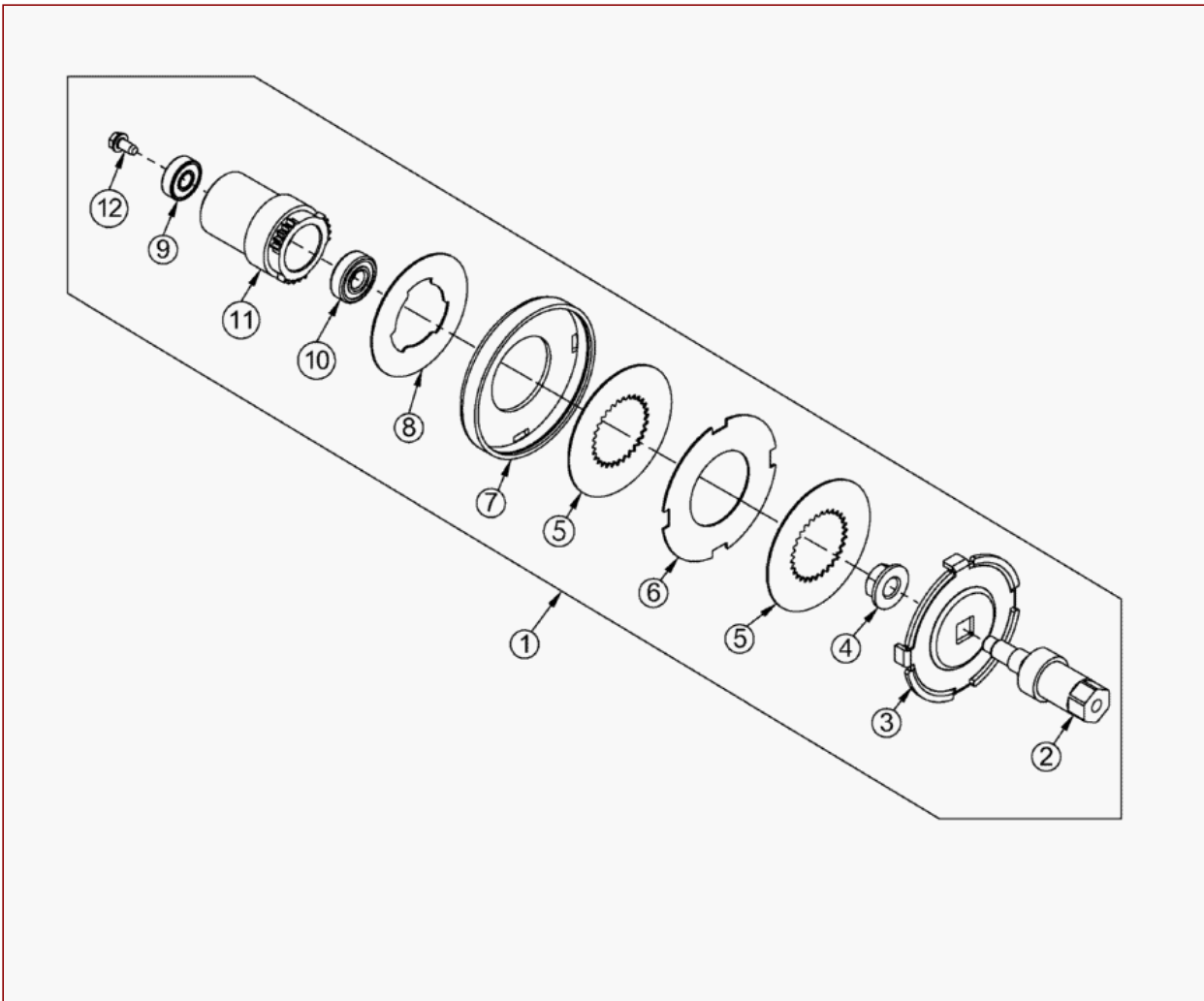
Pos	Art-Nr.	E-Nr.	Menge	Beschreibung	Modell	Info
1	G00111039	E04201	1	Return spring		
2	G00111062	E10737	1	Cable pulley		
3	G00111043	E04457	1	Starter rope Ø 4		
4	G00111020	E01186	1	Handle		
5	G07809008	E03668	5	Disc (5 Stk.)		
6	G00003017	E04204	3	Claw recoil spring (3 Stk.)		
7	G00111044	E04205	3	Claw (3 Stk.)		
8	G07864003	E03137	20	Lock washer (20 Stk.)		
9	G00111053	E05359	1	Cam		
10	G00001057	E04206	1	Pressure spring		
11	G07864005	E03970	20	Lock washer (20 Stk.)		
12	G00180086	E10820	1	Starter total + SK plate		



Spannrollenträger vollst.

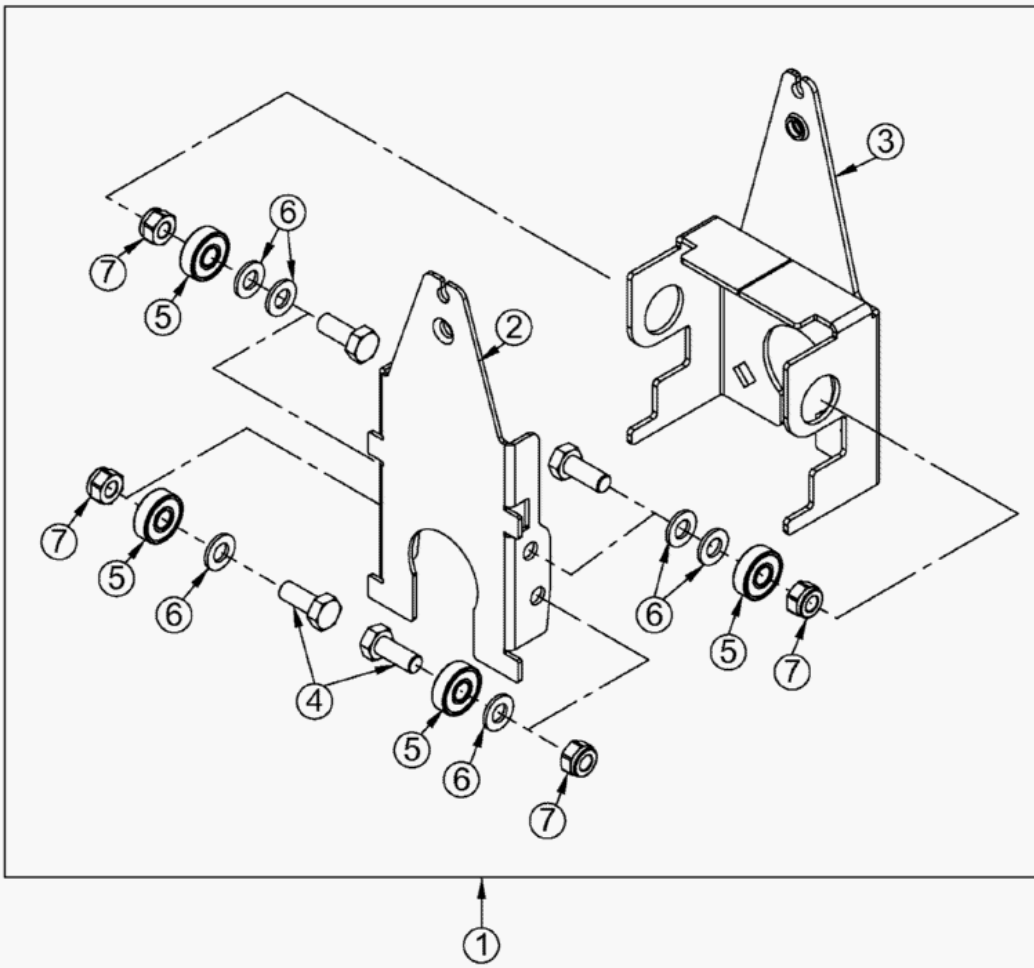
AS 65/2T cat from serial No. 019908020001 – ET documentation – Tension roller mounting full st.

Pos	Art-Nr.	E-Nr.	Menge	Beschreibung	Modell	Info
1	G06725055	E10769	1	Tensioning roller carrier complete		
2	G00028027	E06473	1	DU bush		
3	G06525063	E07208	1	Tension pulley with ball bearing		
4	G06525056	E07891	1	Tension pulley		
5	G07830025	E06524	1	Deep groove ball bearing		
6	G07823016	E07209	1	Circlip for drilled hole (2 Stk.)		
7	G06525057	E07176	1	Tensioning roller sleeve		
8	G07838047	E05320	1	Hexagon screw (10 Stk.)		
9	G00007042	E06037	1	Selflocking nut with serrated bearing (3		
10	G07838019	E03886	1	Hexagon screw (10 Stk.)		
11	G00110013	E03699	1	Spacer sleeve (5 Stk.)		
12	G07906002	E06667	1	Self-locking hex nut (10 Stk.)		
13	G06525054	E07158	1	Tension lever bearing		
14	G07838026	E03932	1	Hexagon screw (10 Stk.)		
15	G07880006	E03957	1	Disc (20 Stk.)		
16	G06725056	E10824	1	Tensioning roller carrier		



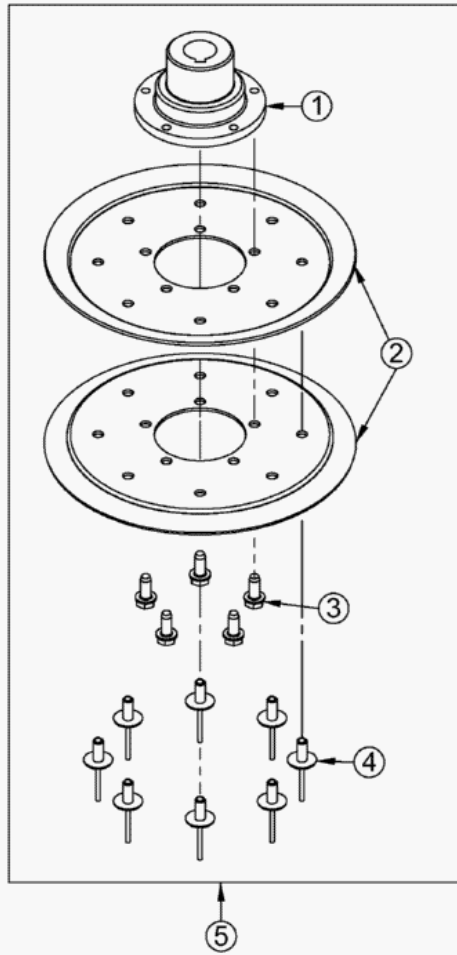
AS 65/2T cat from serial No. 019908020001 – ET documentation – Clutch full st.

Pos	Art-Nr.	E-Nr.	Menge	Beschreibung	Modell	Info
1	G06725305	E08240	1	Clutch total		
2	G06725306	E08244	1	Pinion flange		
3	G04325096	E05410	1	Pressure plate		
4	G00007054	E08241	1	Selflocking nut with serrated bearing		
5	G04325093	E05408	2	Inner lamella		
6	G04325094	E05409	1	Outer lamellas		
7	G04325091	E05407	1	Clutch basket		
8	G06725317	E08242	1	Supporting disc		
9	G07830031	E07211	1	Deep groove ball bearing		
10	G07830014	E04345	1	Deep groove ball bearing		
11	G06725315	E08243	1	Clutch flange		
12	G07890003	E04576	1	Flanged self-tapping screw (3 Stk.)		



AS 65/2T cat from serial No. 019908020001 – ET documentation – Lever full st.

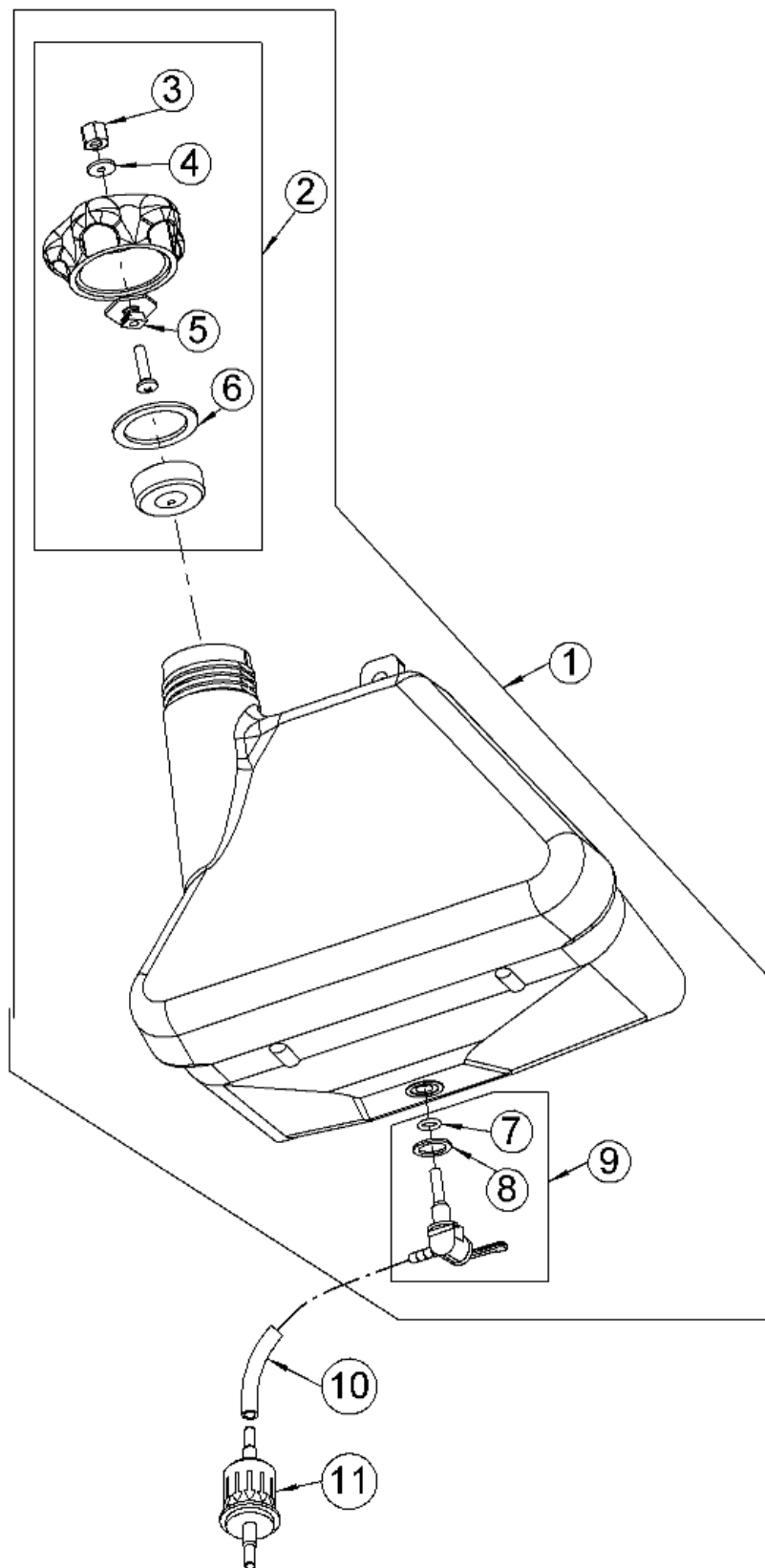
Pos	Art-Nr.	E-Nr.	Menge	Beschreibung	Modell	Info
1	G06725314	E08272	1	Lever total		
2	G06725304	E08238	1	Lever		
3	G06725303	E08239	1	Lever holder		
4	G07838028	E03938	4	Hexagon screw (10 Stk.)		
5	G07830031	E07211	4	Deep groove ball bearing		
6	G07809004	E01905	6	Disc (20 Stk.)		
7	G07846001	E01912	4	Self-locking hex nut (10 Stk.)		



AS 65/2T cat from serial No. 019908020001 – ET documentation – Belt pulley transmission full st.

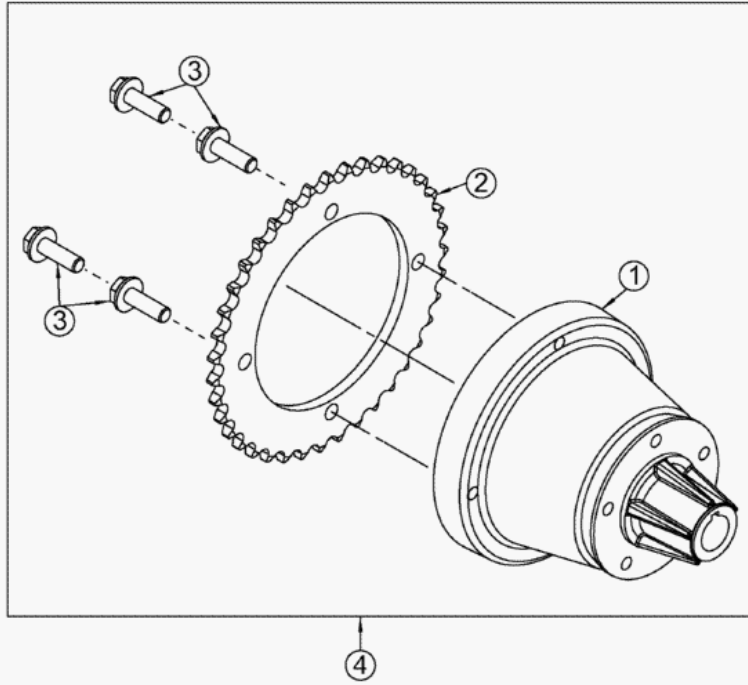
Pos	Art-Nr.	E-Nr.	Menge	Beschreibung	Modell	Info
1	G06730002	E07688	1	Belt pulley hub transmission		
2	G06725014	E07708	2	Belt pulley half		
3	G07890004	E05828	5	Flanged self-tapping screw (3 Stk.)		
4	G00012020	E06750	8	Blind rivet (3 Stk.)		
5	G06730009	E08315	1	Belt pulley transmission total		

Kraftstofftank vollst. mit Deckel



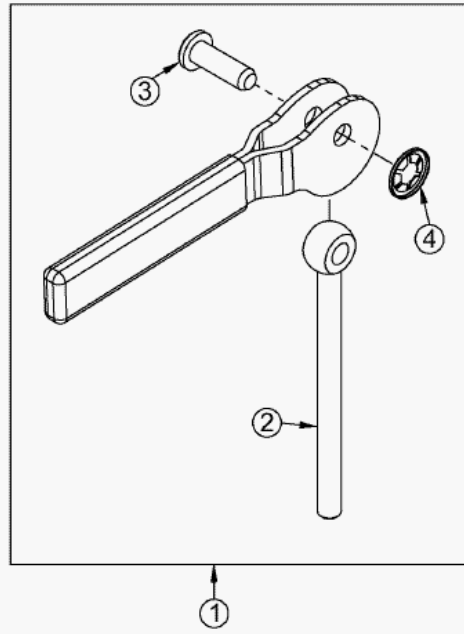
AS 65/2T from serial No. 014902303001 – ET documentation – Fuel tank complete with lid

Pos	Art-Nr.	E-Nr.	Menge	Beschreibung	Modell	Info
1	G06306001	E03690	1	Fuel tank total		
2	G06306007	E04783	1	Tank cap total		
3	G00007033	E05247	1	Hexagon cap nut		
4	G00019051	E05246	1	Sealing disc (5 Stk.)		
5	G00007047	E06934	1	Punch and press-in nut		
6	G00019053	E04782	1	Seal (3 Stk.)		
7	G00006032	E02412	1	O-ring (2 Stk.)		
8	G07847017	E04350	1	Supporting disc (5 Stk.)		
9	G06380058	E01048	1	Fuel valve + O-ring + support disc		
10	G00150085	E04585	1	Fuel hose 1 metre		
11	G00023004	E12374	1	Filter		



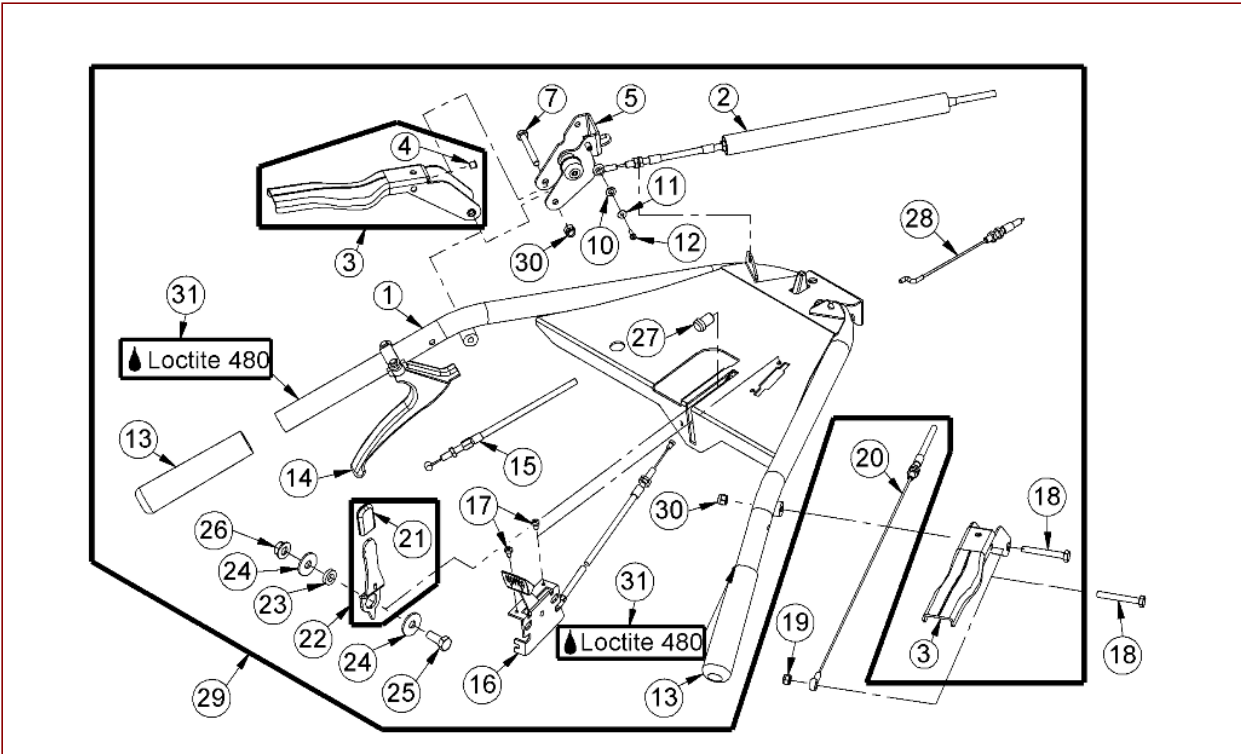
AS 65/2T cat from serial No. 019908020001 – ET documentation – Wheel hub full st.

Pos	Art-Nr.	E-Nr.	Menge	Beschreibung	Modell	Info
1	G06721002	E07266	1	Wheel hub		
2	G06725012	E07686	1	Pinion 39 teeth		
3	G00009085	E06761	4	Hexagon screw		
4	G06721005	E08319	1	Wheel hub total		



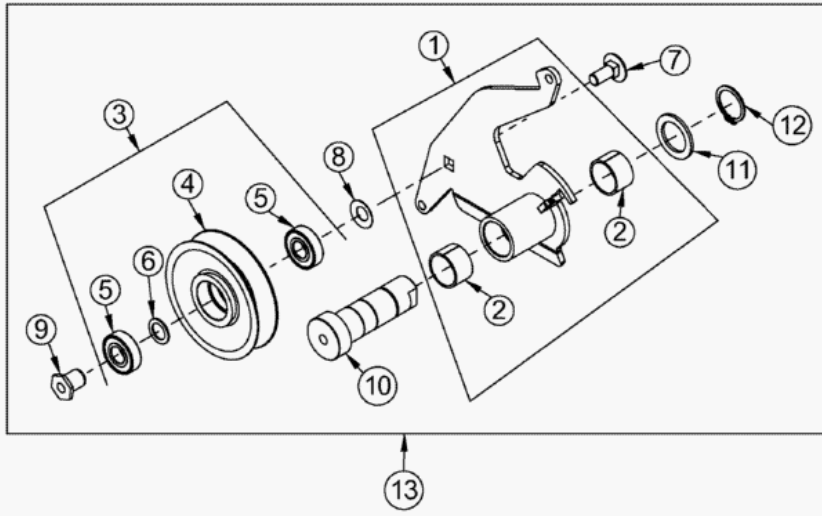
AS 65/2T cat from serial No. 019908020001 – ET documentation – Connection rod tension lever full st.

Pos	Art-Nr.	E-Nr.	Menge	Beschreibung	Modell	Info
1	G07322010	E10119	1	Eccentric lever with eyebolt		
2	G07820004	E10120	1	Eye bolt		
3	G07886001	E04476	1	Bolt with head		
4	G00027001	E04567	1	Shaft locking clip		



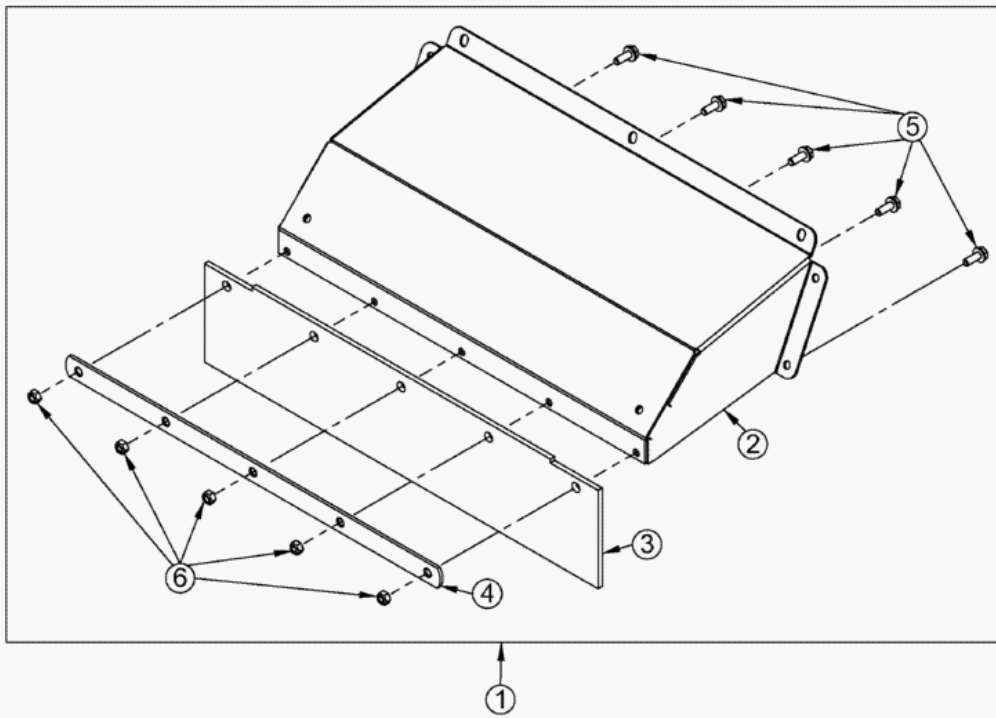
AS 65 2T and AS 65/2T cat from serial No. 019911020001 – ET documentation – Handlebar complete

Pos	Art-Nr.	E-Nr.	Menge	Beschreibung	Modell	Info
1	G06722310	E10778	1	Handlebar		
2	G00020117	E08218	1	Blade drive cable		
3	G06780010	E08306	2	Hand lever with rubber buffer		
4	G00008086	E05973	2	Rubber buffer (2 Stk.)		
5	G06522032	E08015	1	Notch lever total		
7	G07838059	E06632	1	Hexagon screw		
10	G07809003	E01181	1	Disc (20 Stk.)		
11	G07880009	E07936	1	Disc (5 Stk.)		
12	G07878017	E07937	1	Raised cross-head screw (5 Stk.)		
13	G00008114	E08305	2	Handlebar grip (2 Stk.)		
14	G00017025	E06563	1	Actuating lever without safety catch		
15	G00020118	E08253	1	Differential cable		
16	G06722301	E08254	1	Accelerator lever with throttle cable		
17	G07890028	E06594	2	Self-tapping screw (5 Stk.)		
18	G07837068	E07643	2	Hexagon screw (2 Stk.)		
19	G07918001	E07269	1	Self-locking hex nut (6 Stk.)		
20	G00020148	E10760	1	Drive cable		
21	G00029024	E10779	1	PVC cap		
22	G04880003	E10780	1	Engine brake lever with PVC caps		
23	G00024013	E06578	1	Sleeve		
24	G07880006	E03957	2	Disc (20 Stk.)		
25	G07838028	E03938	1	Hexagon screw (10 Stk.)		
26	G00007042	E06037	1	Selflocking nut with serrated bearing (3		
27	G00008125	E10371	1	Rubber buffer (2 Stk.)		
28	G00020150	E10762	1	Engine brake cable		
29	G06722311	E10834	1	Handlebar total		
30	G07846008	E03829	2	Self-locking hex nut (10 Stk.)		
31	G00041061	G00041061	1	Loctite 480 (100Gr.)		



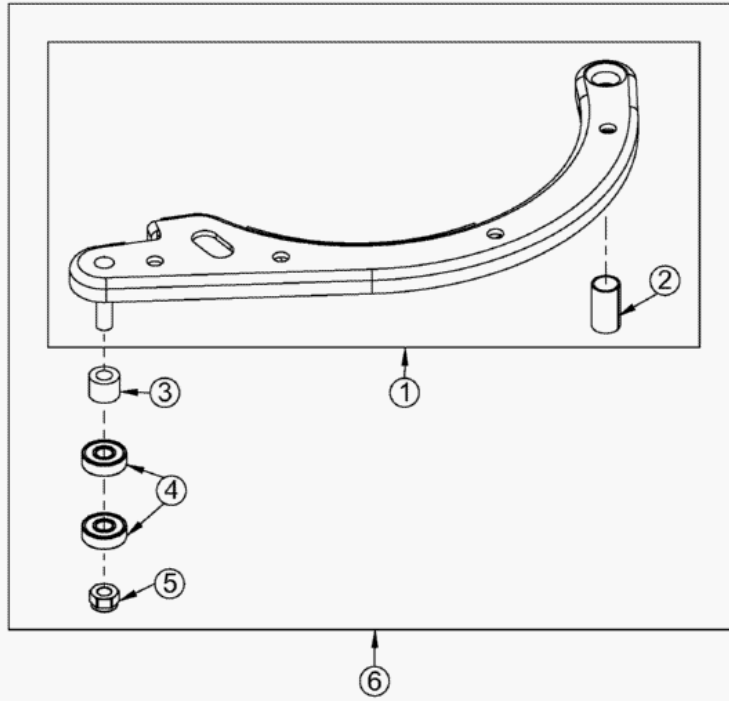
AS 65/2T cat from serial No. 019908020001 – ET documentation – Belt tensioner full st.

Pos	Art-Nr.	E-Nr.	Menge	Beschreibung	Modell	Info
1	G06725053	E07711	1	Belt tensioner top + DU bushes		
2	G00028001	E02919	2	DU bush (2 Stk.)		
3	G06725043	E07942	1	Tension pulley with ball bearing		
4	G06725011	E07265	1	Tension pulley		
5	G07830035	E07934	2	Deep groove ball bearing		
6	G07847010	E03113	1	Shim (10 Stk.)		
7	G07827004	E04379	1	Mushroom head square neck bolt (5 Stk.)		
8	G07856011	E05856	1	Disc spring (3 Stk.)		
9	G06725027	E07712	1	Sleeve		
10	G06725308	E08259	1	Tension lever bearing		
11	G07847044	E07061	1	Shim (2 Stk.)		
12	G07822014	E07729	1	Circlip for shaft (5 Stk.)		
13	G06725307	E08314	1	Belt tensioner total		



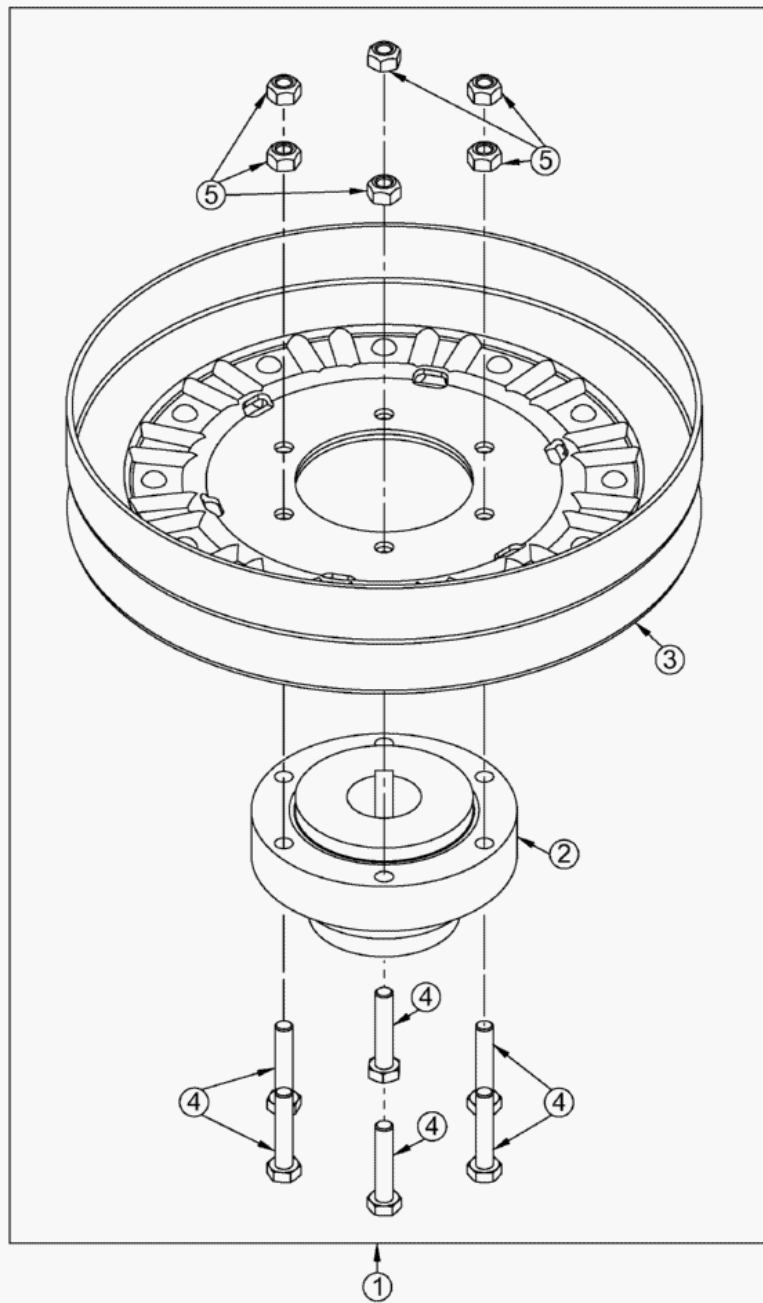
AS 65/2T cat from serial No. 019908020001 – ET documentation – Ejector chute full st.

Pos	Art-Nr.	E-Nr.	Menge	Beschreibung	Modell	Info
1	G06720303	E08257	1	Ejector plate total		
2	G06720017	E07889	1	Ejector plate		
3	G00008113	E08258	1	Self-aligning rubber		
4	G06726006	E07741	1	Self-aligning rubber holder		
5	G00009094	E07247	5	Locking screw (2 Stk.)		
6	G07906002	E06667	5	Self-locking hex nut (10 Stk.)		



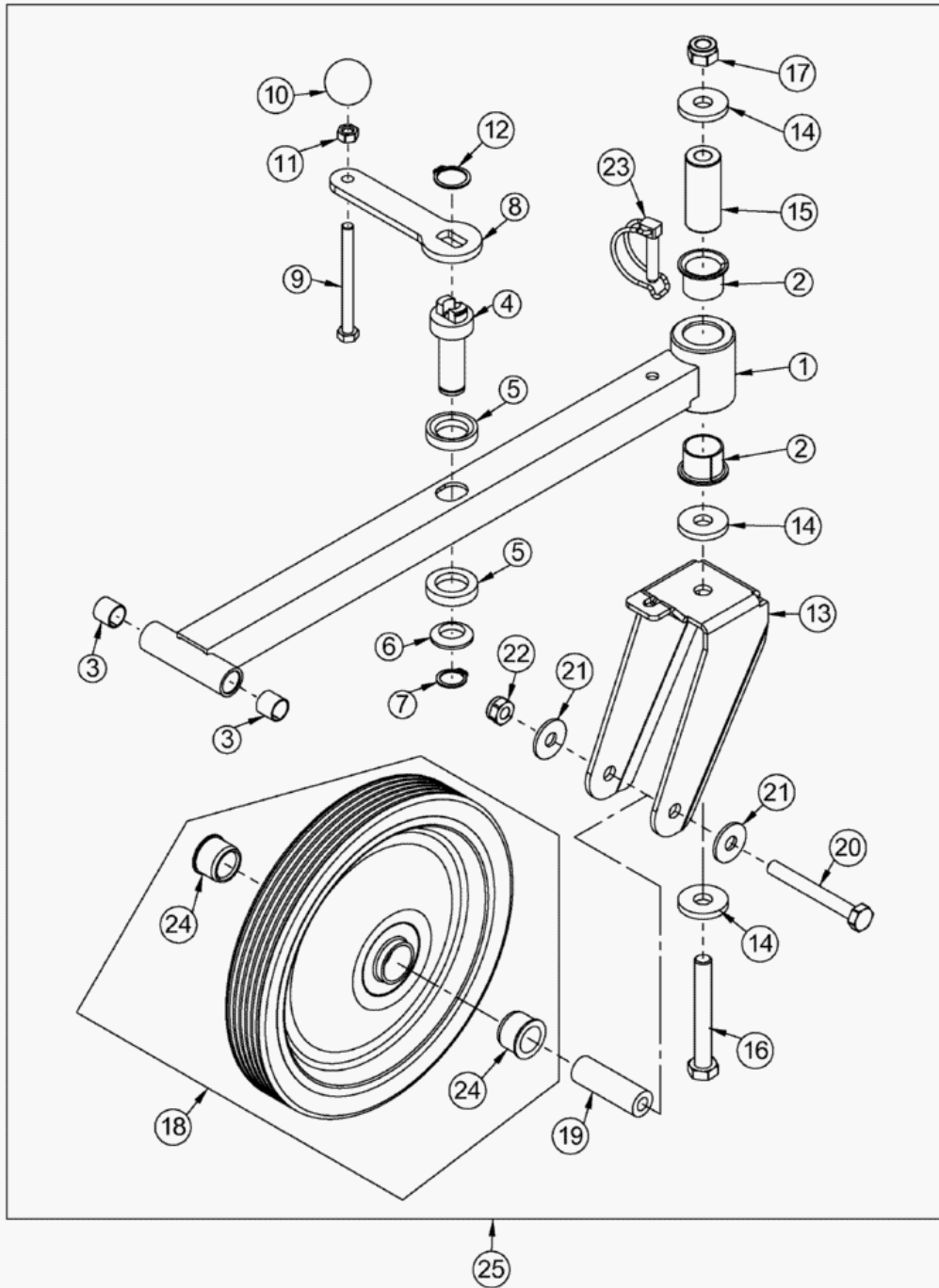
AS 65/2T cat from serial No. 019908020001 – ET documentation – Brake lever full st.

Pos	Art-Nr.	E-Nr.	Menge	Beschreibung	Modell	Info
1	G06734001	E07699	1	Brake lever with lining and DU bush		
2	G00028022	E06364	1	DU bush		
3	G00024029	E07722	1	Sleeve		
4	G07830031	E07211	2	Deep groove ball bearing		
5	G07846001	E01912	1	Self-locking hex nut (10 Stk.)		
6	G06734006	E08316	1	Brake lever total		



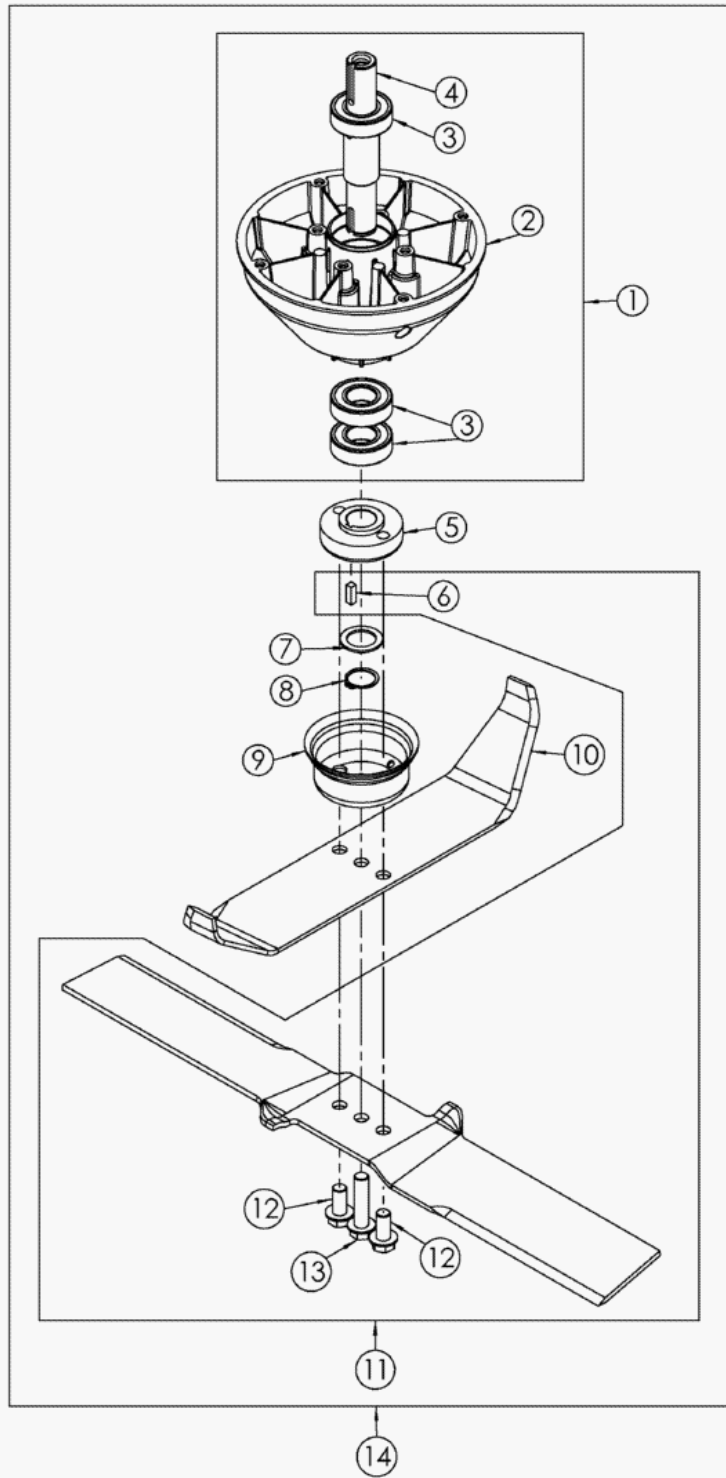
AS 65/2T cat from serial No. 019908020001 – ET documentation – Belt pulley AS65 complete.

Pos	Art-Nr.	E-Nr.	Menge	Beschreibung	Modell	Info
1	G06725309	E08260	1	Belt pulley total		
2	G06725004	E07531	1	Belt pulley hub		
3	G06725005	E07264	1	Belt pulley drum total		
4	G07838027	E03933	6	Hexagon screw (10 Stk.)		
5	G07906002	E06667	6	Self-locking hex nut (10 Stk.)		



AS 65/2T cat from serial No. 019908020001 – ET documentation – Wheel strut full st.

Pos	Art-Nr.	E-Nr.	Menge	Beschreibung	Modell	Info
1	G06722002	E07701	1	Wheel strut total		
2	G00028030	E07204	2	DU flanged bush		
3	G00028003	E03108	2	DU bush		
4	G06722006	E07703	1	Wheel adjustment nut		
5	G07909002	E07730	2	Conical seat		
6	G06722005	E07702	1	Spherical washer		
7	G07822003	E02935	1	Circlip for shaft (10 Stk.)		
8	G06520332	E07186	1	Crank		
9	G07837049	E06873	1	Hexagon screw (2 Stk.)		
10	G07917001	E07245	1	Spherical button		
11	G07839003	E01906	1	Hex nut (10 Stk.)		
12	G07822014	E07729	1	Circlip for shaft (5 Stk.)		
13	G06722008	E07705	1	Wheel fork		
14	G07861004	E07213	3	Disc		
15	G06522323	E07173	1	Wheel fork bolt		
16	G07837065	E07226	1	Hexagon screw		
17	G07846006	E01972	1	Self-locking hex nut (2 Stk.)		
18	G06521305	E07241	1	Front wheel		
19	G06521302	E06511	1	Hub tube		
20	G07837055	E06661	1	Hexagon screw		
21	G07880001	E01980	2	Disc (10 Stk.)		
22	G07846005	E01968	1	Self-locking hex nut (10 Stk.)		
23	G00027015	E07881	1	Tube linchpin		
24	G06322157	E04057	2	Collar bush		
25	G06780013	E08321	1	Wheel strut total + DU bushes		



AS 65/2T cat from serial No. 019908020001 – ET documentation – Blade bearing with blades

Pos	Art-Nr.	E-Nr.	Menge	Beschreibung	Modell	Info
1	G06723005	E07261	1	Blade bearing with shaft, bearing + 1 x		
2	G06723004	E07260	1	Blade baring		
3	G07830026	E04436	3	Deep groove ball bearing		
4	G06723003	E07258	1	Blade shaft 1 + 1 x E07718		
5	G06723007	E07707	1	Cutter disc		
6	G07865021	E08293	1	Feather key		
7	G07847015	E03928	1	Supporting disc		
8	G07822001	E02116	1	Circlip for shaft (5 Stk.)		
9	G06723006	E07262	1	Winding protection cover		
10	G06823005	E08405	1	Mulching blade 434		
11	G06780302	E08363	1	Replaced by E12384		
→	G06780306	E12384	1	Blade AS65 with bolts		
12	G00009097	E07718	2	Locking screw		
13	G00009111	E08291	1	Locking screw		
14	G06780306	E12384	1	Blade AS65 with bolts		



Pos.Nr.	ET-Nr.	Benennung
1	E12752	Aufkleber - Set AS 65; 73 und 84

AS 65/2T from serial No. 014902303001 – ET documentation – Instruction plate - set

Pos	Art-Nr.	E-Nr.	Menge	Beschreibung	Modell	Info
1	G06780017	E12752	1	Instruction plate-set AS 65, 73 und 84		