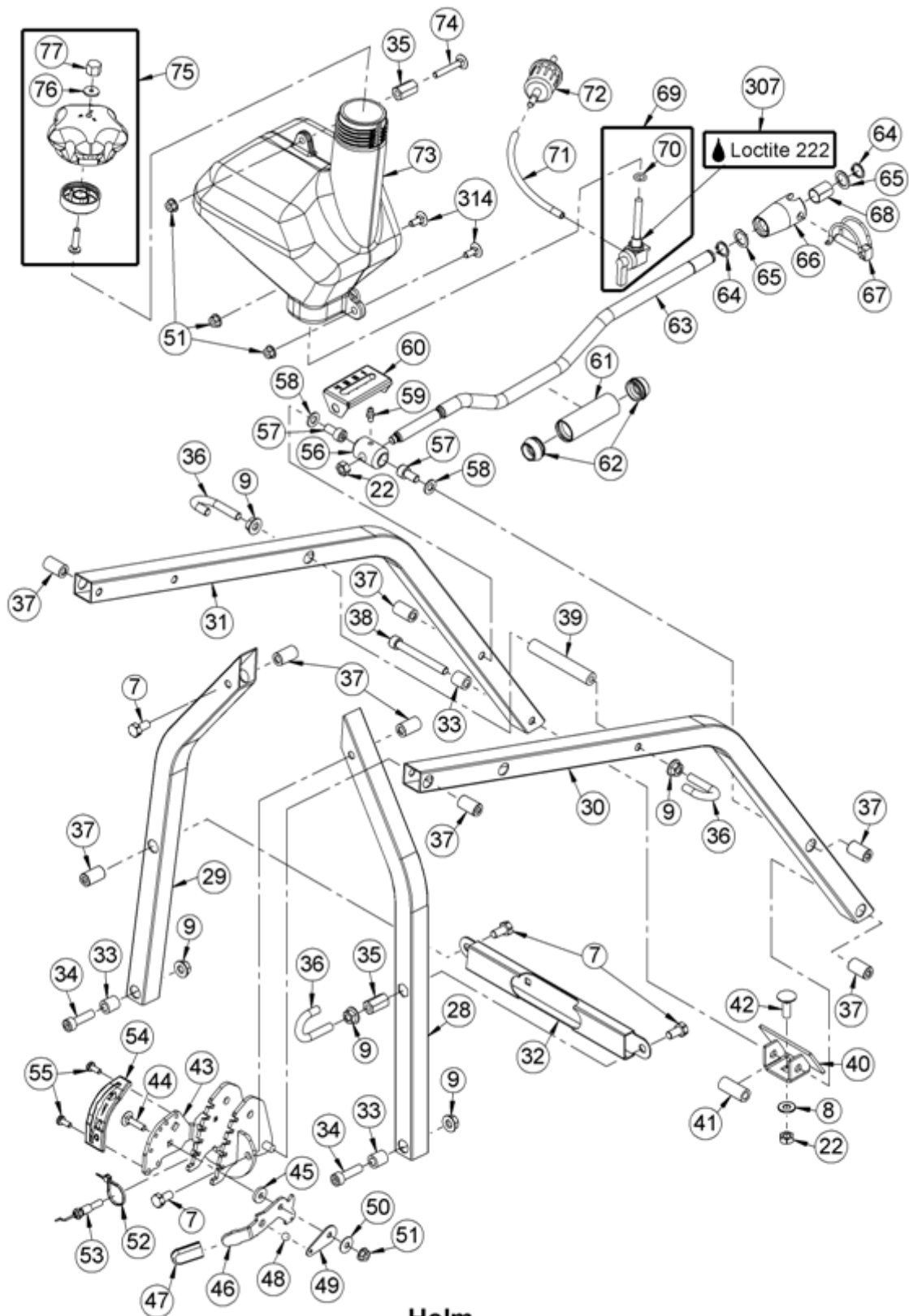


Messerhaube
AS 63

AS 63 2T – ET documentation – Blade cover

Pos	Art-Nr.	E-Nr.	Menge	Beschreibung	Modell	Info
1	G60020008	G60020008	1	Blade hood		
2	G60020011	G60020011	1	Ejector		
3	G60026013	G60026013	1	Protection skirt holder		
4	G90126012	E12763	1	Ejector rubber		
5	G07827008	E04991	4	Mushroom head square neck bolt (3 Stk.)		
6	G00007041	E05975	4	Selflocking nut with serrated bearing (3		
7	G07838026	E03932	8	Hexagon screw (10 Stk.)		
8	G00042012	E07132	17	Detent edge disc (4 Stk.)		
9	G00007042	E06037	12	Selflocking nut with serrated bearing (3		
10	G00009108	E08177	1	Hexagon screw with serration (3 Stk.)		
11	G60025021	G60025021	4	Belt guide		
12	G00012006	E05262	9	Blind rivet (5 Stk.)		
13	G60026010	G60026010	1	Sheet metal guard		
14	G00009174	E12496	8	Dome head screw with Torx (10 Stk.)		
15	G60026011	G60026011	1	Protection skirt		
16	G60026007	G60026007	1	Protection strip		
17	G00010120	E10118	4	Mudguard washer (10 Stk.)		
18	G60020006	G60020006	1	Frame		
19	G00007061	E10018	4	Connection nut		
20	G07827024	E12727	2	Mushroom head square neck bolt (10 Stk.)		
21	G00009086	E06762	3	Hexagon screw		
22	G07839003	E01906	5	Hex nut (10 Stk.)		
23	G00029021	E10399	3	Sealing cap		
24	G60026005	G60026005	1	Belt cover		
25	G00009085	E06761	3	Hexagon screw		
26	G07902005	G07902005	4	Disc (10 Stk.)		
27	G07838015	E03959	4	Hexagon screw (10 Stk.)		

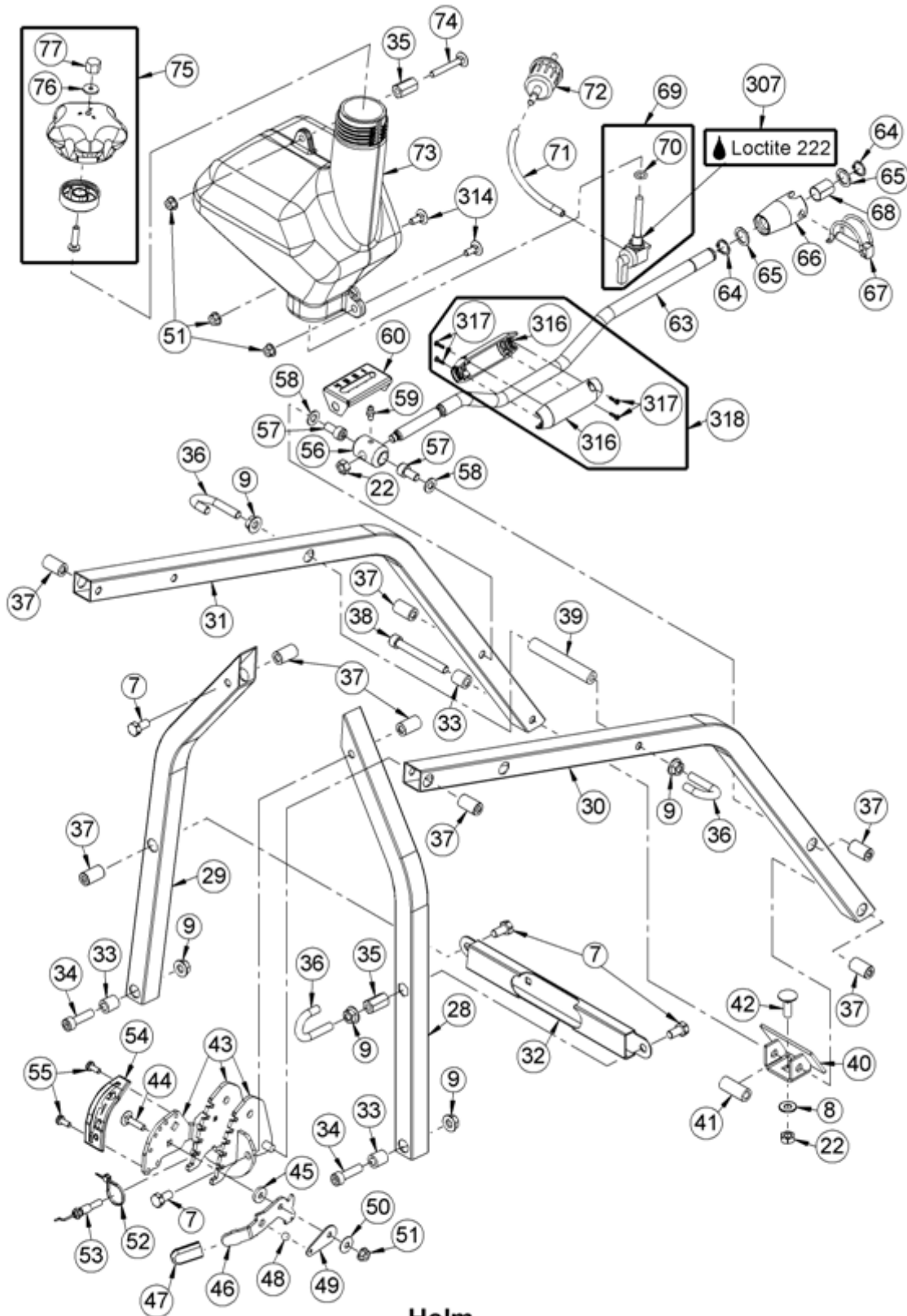


Holm
AS 63 4T B&S

AS 63 4T B&S – ET documentation – Strut

Pos	Art-Nr.	E-Nr.	Menge	Beschreibung	Modell	Info
7	G07838026	E03932	4	Hexagon screw (10 Stk.)		
8	G00042012	E07132	1	Detent edge disc (4 Stk.)		
9	G00007042	E06037	5	Selflocking nut with serrated bearing (3		
22	G07839003	E01906	2	Hex nut (10 Stk.)		
28	G60022004	G60022004	1	Bar right side (back)		
29	G60022005	G60022005	1	Bar left side (back)		
30	G60022006	G60022006	1	Bar right side (front)		
31	G60022007	G60022007	1	Bar left side (front)		
32	G60022020	G60022020	1	Tank holder		
33	G00024066	G00024066	3	Sleeve		
34	G07833049	G07833049	2	Hexagon socket head cap screw (2 Stk.)		
35	G07908002	E12692	2	Hex nut (10 Stk.)		
36	G00005047	G00005047	3	Hook (3 Stk.)		
37	G00007085	G00007085	8	Special nut		
38	G07833050	G07833050	1	Hexagon socket head cap screw		
39	G00007088	G00007088	1	Connection nut		
40	G60020015	G60020015	1	Angle		
41	G00024070	G00024070	1	Sleeve		
42	G07827009	E05869	1	Mushroom head square neck bolt (3 Stk.)		
43	G60022013	G60022013	1	Notch plate		
44	G07827002	E03524	1	Mushroom head square neck bolt (5 Stk.)		
45	G07861005	E07877	1	Disc (2 Stk.)		
46	G60022046	G60022046	1	Accelerator lever		
47	G00029024	E10779	1	PVC cap		
48	G07904006	G07904006	1	Ball (10 Stk.)		
49	G60022050	G60022050	1	Spring		
50	G00033024	E08861	1	Disc spring		
51	G07937001	E12459	4	Hex nut (10 Stk.)		
52	G00026006	E07956	1	Cable tape (4 Stk.)		
53	G00020183	G00020183	1	Throttle cable 4T		
54	G60022049	G60022049	1	Throttle controll		
55	G00009128	E10373	2	Self-tapping Torx screw (10 Stk.)		
56	G60022024	G60022024	1	Joint nut		
57	G07833011	E05458	2	Hexagon socket head cap screw (5 Stk.)		
58	G07809004	E01905	2	Disc (20 Stk.)		
59	G07903002	E05868	1	Lubricating nipple (3 Stk.)		
60	G60022027	G60022027	1	Angle		
61	G60022025 G60080004	E05868 G60080004	1	Replaced by G60080004 Handle with screw		
62	G60022028 G60080004	E05868 G60080004	2	Replaced by G60080004 Handle with screw		
63	G60022029	G60022029	1	Crank		
64	G07822024	E12283	2	Circlip for shaft		
65	G07847059	G07847059	2	Shim (10 Stk.)		
66	G60022026	G60022026	1	Fork head		
67	G00027015	E07881	1	Tube linchpin		
68	G00028034	E07919	1	DU bush		
69	G00022016	E12478	1	Fuel valve with gasket		
70	G00006032	E02412	1	O-ring (2 Stk.)		
71	G00150085	E04585	1	Fuel hose 1 metre		
72	G00023004	E12374	1	Filter		
73	G04806001	E11922	1	Tank		
74	G07827015	E05953	1	Mushroom head square neck bolt (2 Stk.)		
75	G06306007	E04783	1	Tank cap total		
76	G00019051	E05246	1	Sealing disc (5 Stk.)		
77	G00007033	E05247	1	Hexagon cap nut		

307	G000041019		1			
314	G07827003	E04262	2	Mushroom head square neck bolt (5 Stk.)		



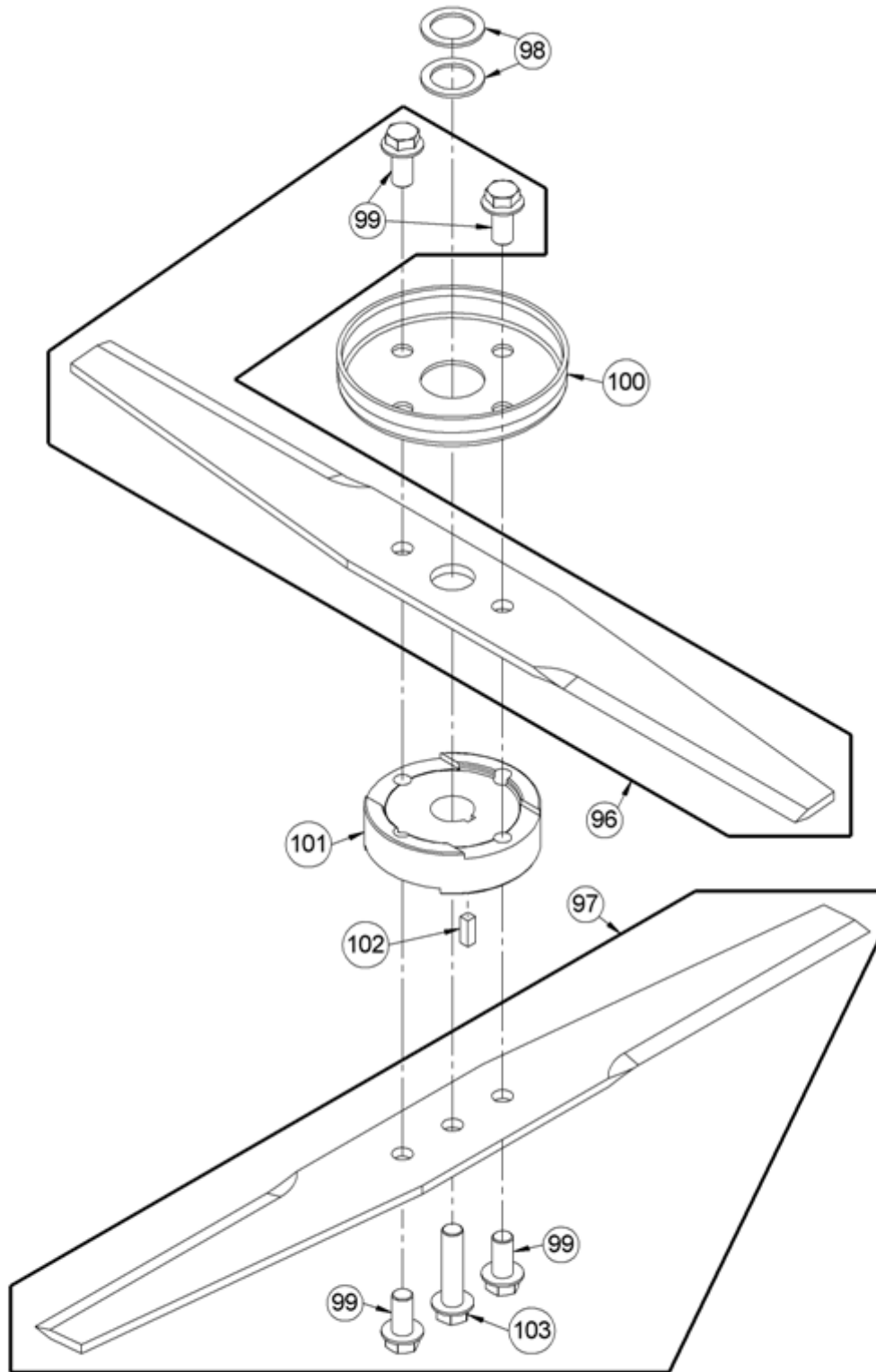
Holm
AS 63 4T B&S ab Serien Nr. 0269 16 02 0001

AS 63 4T B&S – ET documentation – Strut from serial No. 026916020001

Pos	Art-Nr.	E-Nr.	Menge	Beschreibung	Modell	Info
7	G07838026	E03932	4	Hexagon screw (10 Stk.)		
8	G00042012	E07132	1	Detent edge disc (4 Stk.)		
9	G00007042	E06037	5	Selflocking nut with serrated bearing (3		
22	G07839003	E01906	2	Hex nut (10 Stk.)		
28	G60022004	G60022004	1	Bar right side (back)		
29	G60022005	G60022005	1	Bar left side (back)		
30	G60022006	G60022006	1	Bar right side (front)		
31	G60022007	G60022007	1	Bar left side (front)		
32	G60022020	G60022020	1	Tank holder		
33	G00024066	G00024066	3	Sleeve		
34	G07833049	G07833049	2	Hexagon socket head cap screw (2 Stk.)		
35	G07908002	E12692	2	Hex nut (10 Stk.)		
36	G00005047	G00005047	3	Hook (3 Stk.)		
37	G00007085	G00007085	8	Special nut		
38	G07833050	G07833050	1	Hexagon socket head cap screw		
39	G00007088	G00007088	1	Connection nut		
40	G60020015	G60020015	1	Angle		
41	G00024070	G00024070	1	Sleeve		
42	G07827009	E05869	1	Mushroom head square neck bolt (3 Stk.)		
43	G60022013	G60022013	1	Notch plate		
44	G07827002	E03524	1	Mushroom head square neck bolt (5 Stk.)		
45	G07861005	E07877	1	Disc (2 Stk.)		
46	G60022046	G60022046	1	Accelerator lever		
47	G00029024	E10779	1	PVC cap		
48	G07904006	G07904006	1	Ball (10 Stk.)		
49	G60022050	G60022050	1	Spring		
50	G00033024	E08861	1	Disc spring		
51	G07937001	E12459	4	Hex nut (10 Stk.)		
52	G00026006	E07956	1	Cable tape (4 Stk.)		
53	G00020183	G00020183	1	Throttle cable 4T		
54	G60022049	G60022049	1	Throttle controll		
55	G00009128	E10373	2	Self-tapping Torx screw (10 Stk.)		
56	G60022024	G60022024	1	Joint nut		
57	G07833011	E05458	2	Hexagon socket head cap screw (5 Stk.)		
58	G07809004	E01905	2	Disc (20 Stk.)		
59	G07903002	E05868	1	Lubricating nipple (3 Stk.)		
60	G60022027	G60022027	1	Angle		
63	G60022029	G60022029	1	Crank		
64	G07822024	E12283	2	Circlip for shaft		
65	G07847059	G07847059	2	Shim (10 Stk.)		
66	G60022026	G60022026	1	Fork head		
67	G00027015	E07881	1	Tube linchpin		
68	G00028034	E07919	1	DU bush		
69	G00022016	E12478	1	Fuel valve with gasket		
70	G00006032	E02412	1	O-ring (2 Stk.)		
71	G00150085	E04585	1	Fuel hose 1 metre		
72	G00023004	E12374	1	Filter		
73	G04806001	E11922	1	Tank		
74	G07827023	E11895	1	Mushroom head square neck bolt (10 Stk.)		
75	G06306007	E04783	1	Tank cap total		
76	G00019051	E05246	1	Sealing disc (5 Stk.)		
77	G00007033	E05247	1	Hexagon cap nut		
307	G00041019	E04719	1	LOCTITE 222 (50 ml)		
314	G07827003	E04262	2	Mushroom head square neck bolt (5 Stk.)		
316	G60022051	G60022051	2	Handle		
317	G00009184	G00009184	4	Raised cross-head screw		
318	G60080004	G60080004	1	Handle with screw		

AS 63 4T B&S – ET documentation – Motor

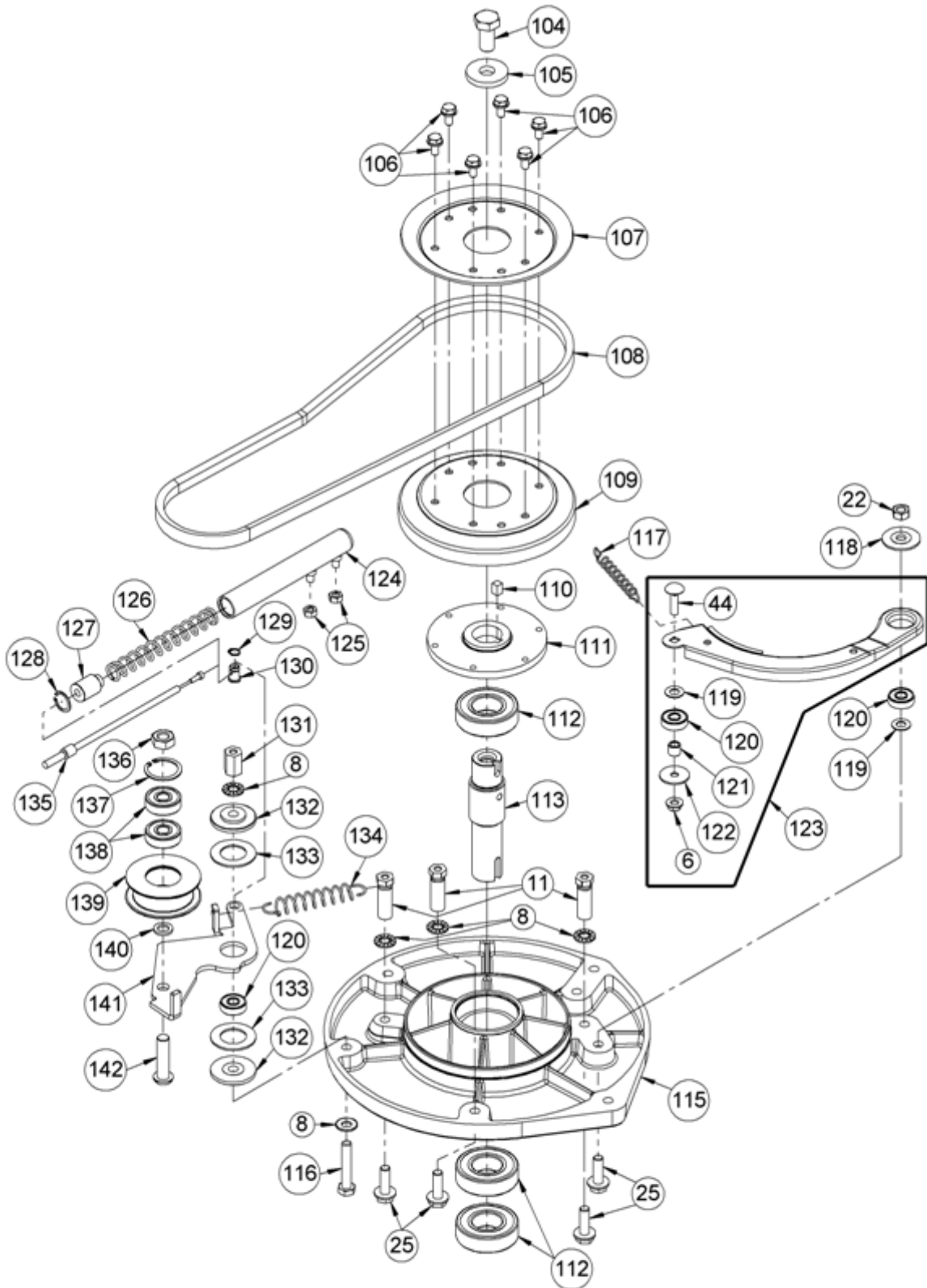
Pos	Art-Nr.	E-Nr.	Menge	Beschreibung	Modell	Info
7	G07838026	E03932	2	Hexagon screw (10 Stk.)		
9	G00007042	E06037	7	Selflocking nut with serrated bearing (3		
19	G00007061	E10018	1	Connection nut		
52	G00026006	E07956	1	Cable tape (4 Stk.)		
58	G07809004	E01905	2	Disc (20 Stk.)		
78	G60020013	G60020013	1	Engine mount total		
79	G00501041	G00501041	1	Engine B&S		
80	G00029019	E10599	1	Stopper (2 Stk.)		
81	G07866007	E10162	1	Curved washer		
82	G60020021	G60020021	1	Engine plate		
83	G07822010	E06311	1	Circlip for shaft (2 Stk.)		
84	G53125011	E12362	1	Pot for spring		
85	G00001094	G00001094	1	Pressure spring		
86	G60025023	G60025023	1	Vario disc		
87	G60025011	G60025011	1	Engine hub		
88	G60025012	G60025012	1	Flywheel		
89	G00009146	E10417	4	Locking screw (4 Stk.)		
90	G00009109	E08269	1	Inch screw		
91	G07861006	E07940	4	Disc		
92	G07838028	E03938	3	Hexagon screw (10 Stk.)		
93	G07837041	E04944	1	Hexagon screw (3 Stk.)		
94	G07837016	E03901	2	Hexagon screw (5 Stk.)		
95	G60026009	G60026009	1	Access protection		
315	G60026016	G60026016	1	Wind cowl		



Messer mit Befestigung
AS 63

AS 63 2T – ET documentation – Blade with fixing

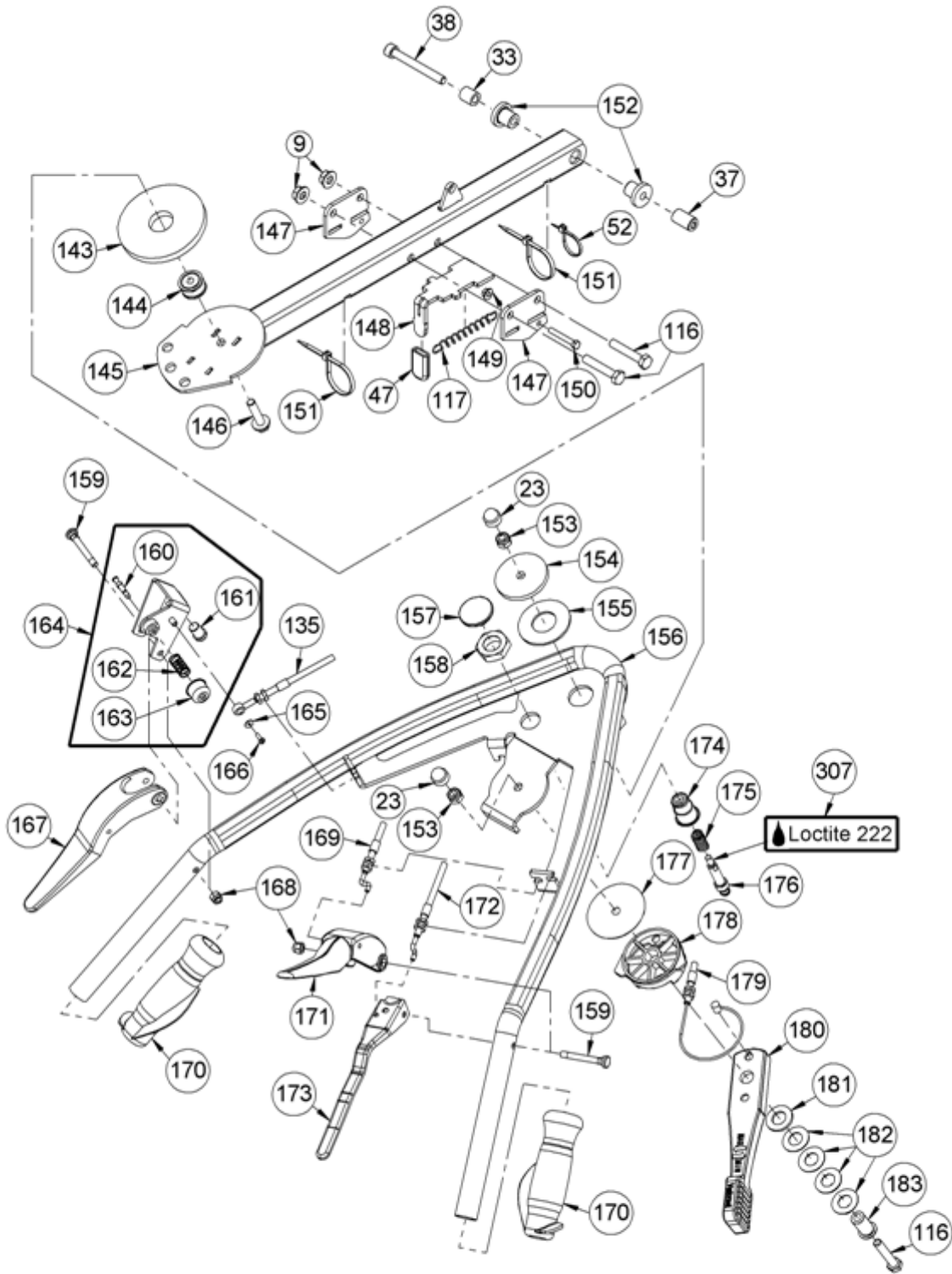
Pos	Art-Nr.	E-Nr.	Menge	Beschreibung	Modell	Info
96	G60080002	G60080002	1	Blade + 2 screws		
97	G60080001	G60080001	1	Blade + 3 screws		
98	G07847015	E03928	2	Supporting disc		
99	G00009097	E07718	4	Locking screw		
100	G60023011	G60023011	1	Winding protection cover		
101	G60023008	G60023008	1	Cutter disc		
102	G07865019	E07723	1	Feather key (4 Stk.)		
103	G00009111	E08291	1	Locking screw		



Messerkupplung
AS 63

AS 63 4T B&S – ET documentation – Blade clutch

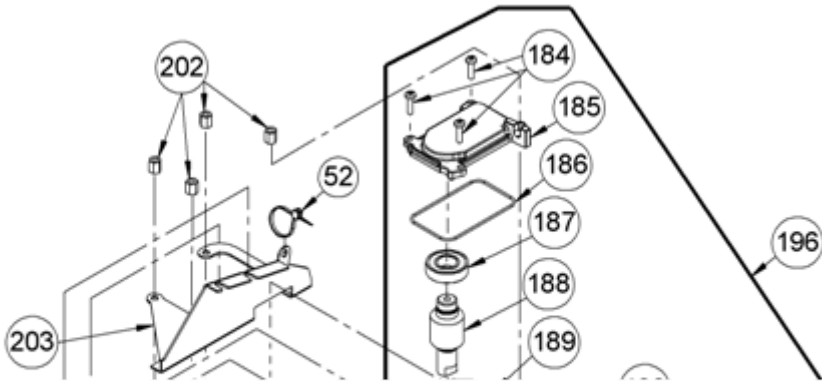
Pos	Art-Nr.	E-Nr.	Menge	Beschreibung	Modell	Info
6	G00007041	E05975	1	Selflocking nut with serrated bearing (3		
8	G00042012	E07132	5	Detent edge disc (4 Stk.)		
11	G60025021	G60025021	3	Belt guide		
22	G07839003	E01906	1	Hex nut (10 Stk.)		
25	G00009085	E06761	4	Hexagon screw		
44	G07827002	E03524	1	Mushroom head square neck bolt (5 Stk.)		
104	G07838038	E04926	1	Hexagon screw (3 Stk.)		
105	G07861004	E07213	1	Disc		
106	G00009016	E04631	6	Hexagon screw with serration (5 Stk.)		
107	G60025004	G60025004	1	Belt pulley		
108	G07857054	G07857054	1	V-belt		
109	G60025005	G60025005	1	Brake drum		
110	G07865012	E06648	1	Feather key (2 Stk.)		
111	G60025010	G60025010	1	Belt pulley hub		
112	G07830015	E08351	3	Deep groove ball bearing		
113	G60023005	G60023005	1	Blade shaft		
115	G60023010	G60023010	1	Blade baring		
116	G07837018	E03905	1	Hexagon screw (3 Stk.)		
117	G00002028	E05647	1	Draw spring		
118	G00010130	E11606	1	Special disc		
119	G07856010	E04337	2	Disc spring (5 Stk.)		
120	G07830055	G07830055	3	Deep groove ball bearing		
121	G00110013	E03699	1	Spacer sleeve (5 Stk.)		
122	G00010084	E03710	1	Disc (10 Stk.)		
123	G60034007	G60034007	1	Brake lever+brake lining+bearing		
124	G60025015	G60025015	1	Sleeve		
125	G07839014	E03915	2	Hex nut (20 Stk.)		
126	G00001083	E08389	1	Pressure spring		
127	G60025019	G60025019	1	Guide		
128	G07823017	G07823017	1	Circlip for drilled hole (10 Stk.)		
129	G07822004	E02970	1	8x0,8 DIN 471 Sicherungsring (10 Stk.)		
130	G60020025	G60020025	1	Cable nipple		
131	G00007086	G00007086	1	Connection nut		
132	G00010140	G00010140	2	Disc		
133	G00010137	E13008	2	Thrust washer		
134	G00002056	E07867	1	Draw spring		
135	G00020181	G00020181	1	Blade clutch cable		
136	G07839008	E01953	1	Hex nut (10 Stk.)		
137	G07823016	E07209	1	Circlip for drilled hole (2 Stk.)		
138	G07830047	E12509	2	Deep groove ball bearing		
139	G60025009	G60025009	1	Tension pulley		
140	G07847048	E08172	1	Shim (10 Stk.)		
141	G60025013	G60025013	1	Tension lever		
142	G07922003	E10159	1	Raised countersunk head screw with hexag		



**Lenker und Holm
AS 63**

AS 63 2T – ET documentation – Handlebar and tie rod

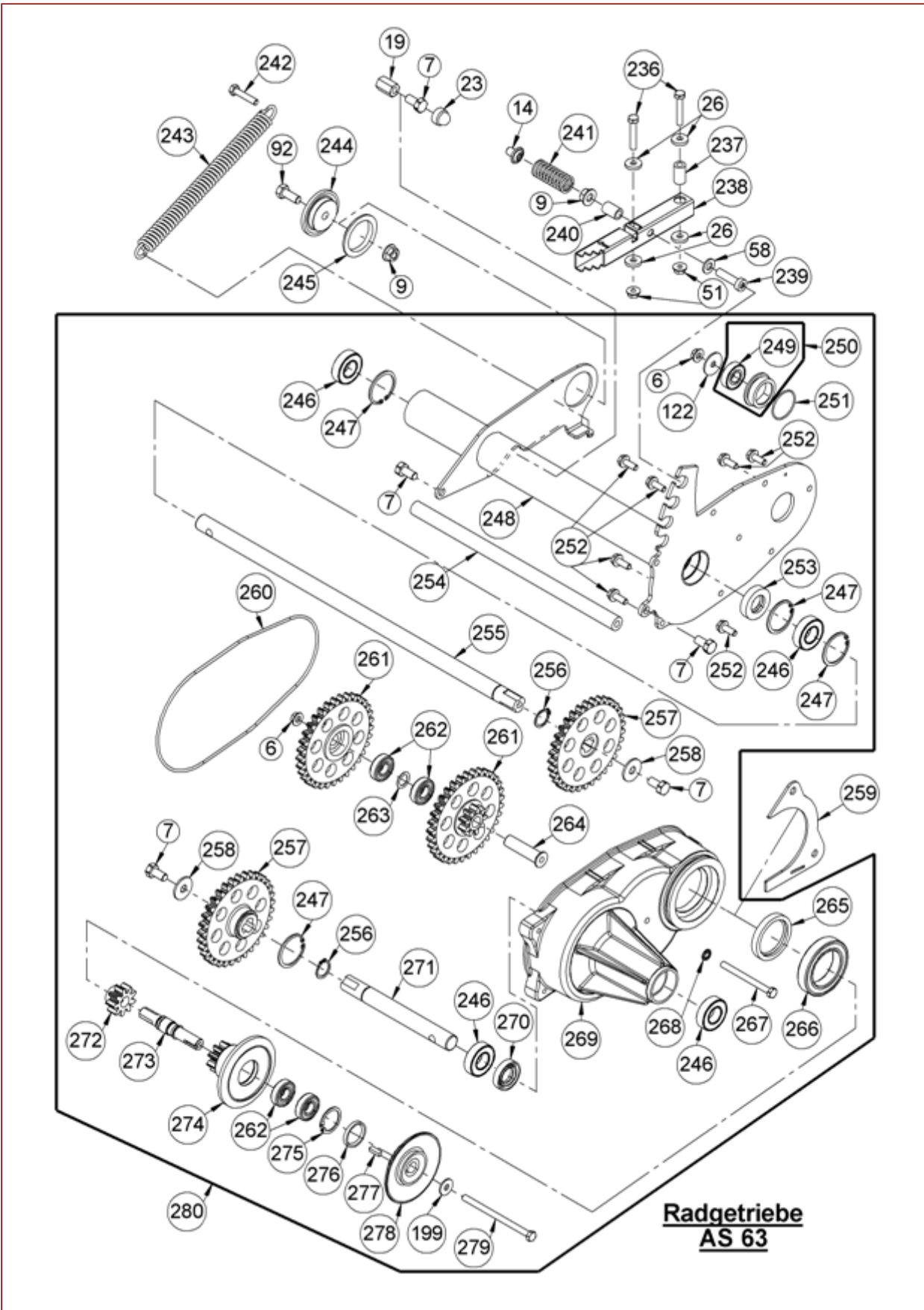
Pos	Art-Nr.	E-Nr.	Menge	Beschreibung	Modell	Info
9	G00007042	E06037	2	Selflocking nut with serrated bearing (3		
23	G00029021	E10399	2	Sealing cap		
33	G00024066	G00024066	1	Sleeve		
37	G00007085	G00007085	1	Special nut		
38	G07833050	G07833050	1	Hexagon socket head cap screw		
47	G00029024	E10779	1	PVC cap		
52	G00026006	E07956	1	Cable tape (4 Stk.)		
116	G07837018	E03905	3	Hexagon screw (3 Stk.)		
117	G00002028	E05647	1	Draw spring		
135	G00020181	G00020181	1	Blade clutch cable		
143	G00008196	E12387	1	Vibration damper		
144	G00024061	E12370	1	Sleeve		
145	G60022015	G60022015	1	Upper strut total		
146	G00009182	G00009182	1	Locking screw		
147	G60022017	G60022017	2	Guide		
148	G60022014	G60022014	1	Locking bolt		
149	G07932002	E12500	1	Hex nut (10 Stk.)		
150	G07838054	E05718	1	Hexagon screw (3 Stk.)		
151	G00026031	E12218	2	Cable tape (5 Stk.)		
152	G60020016	G60020016	2	Sleeve		
153	G07918002	E07669	2	Self-locking hex nut (2 Stk.)		
154	G00010134	E12460	1	Disc		
155	G00019059	E10016	1	Slide washer		
156	G60022031	G60022031	1	Handlebar		
157	G00008202	G00008202	1	Handle		
158	G07841007	G07841007	1	Hex nut		
159	G60022033	G60022033	2	Screw		
160	G60022037	G60022037	1	Stop bolt		
161	G00008125	E10371	1	Rubber buffer (2 Stk.)		
162	G00001069	E05810	1	Pressure spring (5 Stk.)		
163	G06322233	E05808	1	Cap		
164	G60022038	G60022038	1	Notch lever		
165	G07880009	E07936	1	Disc (5 Stk.)		
166	G07878017	E07937	1	Raised cross-head screw (5 Stk.)		
167	G06122125	E06050	1	Hand lever		
168	G07846008	E03829	2	Self-locking hex nut (10 Stk.)		
169	G00020182	G00020182	1	Drive cable		
170	G00008070	E04813	2	Handlebar grip (left + right = 2 grips)		
171	G60022045	G60022045	1	Hand lever		
172	G00020180	G00020180	1	Brake cable		
173	G60022043	G60022043	1	Hand lever		
174	G53122033	G53122033	1	Sleeve		
175	G00001096	G00001096	1	Pressure spring		
176	G53122034	G53122034	1	Stop bolt		
177	G00010142	G00010142	1	Disc		
178	G04322050	E05783	1	Adjusting disc		
179	G00020179	G00020179	1	Vario cable		
180	G04322055	E05784	1	Adjusting lever		
181	G07809010	E03592	1	Disc (10 Stk.)		
182	G07856006	E03319	4	Disc spring (10 Stk.)		
183	G60022032	G60022032	1	Sleeve		
307	G00041019	E04719	1	LOCTITE 222 (50 ml)		



AS 63 2T – ET documentation – Drive

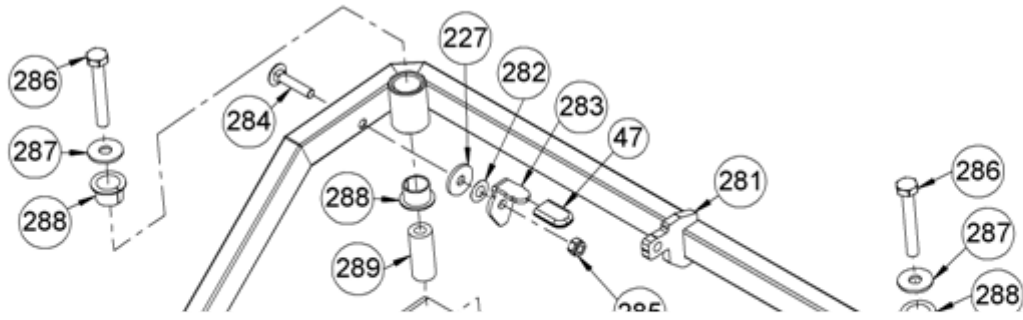
Pos	Art-Nr.	E-Nr.	Menge	Beschreibung	Modell	Info
9	G00007042	E06037	3	Selflocking nut with serrated bearing (3		
45	G07861005	E07877	1	Disc (2 Stk.)		
52	G00026006	E07956	1	Cable tape (4 Stk.)		
94	G07837016	E03901	1	Hexagon screw (5 Stk.)		
117	G00002028	E05647	1	Draw spring		
118	G00010130	E11606	1	Special disc		
119	G07856010	E04337	1	Disc spring (5 Stk.)		
133	G00010137	E13008	2	Thrust washer		
137	G07823016	E07209	1	Circlip for drilled hole (2 Stk.)		
138	G07830047	E12509	1	Deep groove ball bearing		
169	G00020182	G00020182	1	Drive cable		
172	G00020180	G00020180	1	Brake cable		
179	G00020179	G00020179	1	Vario cable		
184	G07878011	E05900	3	Raised cross-head screw (5 Stk.)		
185	G04830003	E10444	1	Transmission cover		
186	G00006058	E10449	1	Gasket		
187	G07830017	E04683	4	Deep groove ball bearing		
188	G60030012	G60030012	1	Worm shaft		
189	G04830002	E10443	1	Transmission housing		
190	G07853020	E04322	1	Spring pin (10 Stk.)		
191	G60030011	G60030011	1	Worm wheel		
192	G60030014	G60030014	1	Worm wheel shaft		
193	G00028004	E04319	1	Bearing bush		
194	G07823001	E01811	2	Circlip for drilled hole (2 Stk.)		
195	G07858013	E10447	2	Shaft seal ring		
196	G60030013	G60030013	1	Transmission total		
197	G00010065	E04663	4	Disc (3 Stk.)		
198	G53125006	E12358	1	Belt pulley		
199	G07880004	E03914	2	Disc (20 Stk.)		
200	G00009024	E04519	2	Self-tapping screw (3 Stk.)		
201	G60025007	G60025007	1	Belt pulley total		
202	G00007087	G00007087	4	Connection nut (10 Stk.)		
203	G60026006	G60026006	1	Cover		
204	G00007089	G00007089	4	Connection nut (10 Stk.)		
205	G07837039	E04889	4	Hexagon screw (5 Stk.)		
206	G60025014	G60025014	1	Spacer sleeve		
207	G07830031	E07211	2	Deep groove ball bearing		
208	G60025006	G60025006	1	Vario lever		
209	G00024071	G00024071	1	Sleeve		
210	G06525056	E07891	1	Tension pulley		
211	G06525063	E07208	1	Tension pulley with ball bearing		
212	G00009069	E06613	1	Raised-head shouldered screw (2 Stk.)		
213	G07857053	G07857053	1	V-belt		
214	G60034006	G60034006	1	Brake lever bearing		
215	G00009031	E05451	1	Countersunk Torx screw (3 Stk.)		
216	G00028008	E06538	1	DU bush		
217	G60034005	G60034005	1	Sleeve		
218	G60080003	G60080003	1	Brake lever with lining		
219	G07833013	E05657	1	Hexagon socket head cap screw (3 Stk.)		
220	G07857041	E10414	1	High performance V-belt		
221	G60034004	G60034004	1	Brake lever+brake lining+sleeve		
222	G00007083	E13024	1	Box nut		
223	G60026001	G60026001	1	Belt protection		
224	G00009180	E13119	3	Rounded head screw with inside Torx		
225	G00012027	E08451	1	Bolt for anti-folding mechanism		
226	G07838047	E05320	1	Hexagon screw (10 Stk.)		
227	G07810004	E06262	1	Disc (5 Stk.)		
228	G60025020	G60025020	1	Belt tensioner		

229	G07830012	E04329	1	Deep groove ball bearing		
230	G00007079	E12369	1	Special nut		
231	G00002080	G00002080	1	Draw spring		
232	G07809006	E01940	1	Disc (10 Stk.)		
233	G00027016	E08452	1	Anti-folding mechanism (5 Stk.)		
234	G53125004	E12357	1	Bearing bolt		
235	G00002079	G00002079	1	Draw spring		



AS 63 2T – ET documentation – Wheel gear

Pos	Art-Nr.	E-Nr.	Menge	Beschreibung	Modell	Info
6	G00007041	E05975	2	Selflocking nut with serrated bearing (3		
7	G07838026	E03932	5	Hexagon screw (10 Stk.)		
9	G00007042	E06037	2	Selflocking nut with serrated bearing (3		
14	G00009174	E12496	1	Dome head screw with Torx (10 Stk.)		
19	G00007061	E10018	1	Connection nut		
23	G00029021	E10399	1	Sealing cap		
26	G07902005	G07902005	4	Disc (10 Stk.)		
51	G07937001	E12459	2	Hex nut (10 Stk.)		
58	G07809004	E01905	1	Disc (20 Stk.)		
92	G07838028	E03938	1	Hexagon screw (10 Stk.)		
122	G00010084	E03710	1	Disc (10 Stk.)		
199	G07880004	E03914	1	Disc (20 Stk.)		
236	G07837024	E04058	2	Hexagon screw (10 Stk.)		
237	G00024034	G00024034	1	Spacer sleeve		
238	G60022001	G60022001	1	Adjustment rod		
239	G00009082	E06651	1	Inside Torx screw (2 Stk.)		
240	G00024067	G00024067	1	Sleeve		
241	G00001084	E08246	1	Pressure spring		
242	G07838027	E03933	1	Hexagon screw (10 Stk.)		
243	G00002077	G00002077	1	Draw spring		
244	G60020018	G60020018	1	Bearing washer		
245	G00028048	E10433	1	Friction bearing with collar		
246	G07830033	E07637	4	Deep groove ball bearing		
247	G07823011	E04330	4	Circlip for drilled hole (5 Stk.)		
248	G60020001	G60020001	1	Wheel swinging arm total		
249	G07830050	E12505	1	Deep groove ball bearing		
250	G60030016	G60030016	1	Bearing sleeve with ball bearing		
251	G00006063	G00006063	1	O-ring (10 Stk.)		
252	G00009094	E07247	7	Locking screw (2 Stk.)		
253	G07858024	G07858024	1	Shaft seal ring		
254	G60020009	G60020009	1	Strut		
255	G60030010	G60030010	1	Wheel shaft		
256	G07822016	E08664	2	Circlip for shaft		
257	G60030002	G60030002	2	Pinion 33 teeth		
258	G07880006	E03957	2	Disc (20 Stk.)		
259	G60020022	G60020022	1	Circlip		
260	G00006064	G00006064	1	O-ring		
261	G60030001	G60030001	2	Double gear		
262	G07830013	E04331	4	Deep groove ball bearing		
263	G07847042	E06722	1	Shim (5 Stk.)		
264	G60030005	G60030005	1	Gear axis		
265	G07858025	G07858025	1	Shaft seal ring		
266	G07830053	G07830053	1	Deep groove ball bearing		
267	G07837029	E04485	1	Hexagon screw (5 Stk.)		
268	G00042006	E05862	1	Detent edge disc (5 Stk.)		
269	G60030004	G60030004	1	Housing		
270	G07858023	G07858023	1	Shaft seal ring		
271	G60030008	G60030008	1	Wheel shaft		
272	G60030007	G60030007	1	Pinion 12 teeth		
273	G60025002	G60025002	1	Shaft		
274	G60030006	G60030006	1	Pinion 12 teeth		
275	G07823023	G07823023	1	Circlip for drilled hole		
276	G00037012	G00037012	1	Shaft seal ring		
277	G07865001	E01802	1	Feather key (4 Stk.)		
278	G60025003	G60025003	1	Belt pulley half		
279	G07837087	G07837087	1	Hexagon screw (2 Stk.)		
280	G60030015	G60030015	1	Wheel gear total		



AS 63 2T – ET documentation – Wheel and wheel strut

Pos	Art-Nr.	E-Nr.	Menge	Beschreibung	Modell	Info
9	G00007042	E06037	2	Selflocking nut with serrated bearing (3		
10	G00009108	E08177	2	Hexagon screw with serration (3 Stk.)		
47	G00029024	E10779	2	PVC cap		
67	G00027015	E07881	2	Tube linchpin		
93	G07837041	E04944	2	Hexagon screw (3 Stk.)		
227	G07810004	E06262	2	Disc (5 Stk.)		
245	G00028048	E10433	2	Friction bearing with collar		
281	G60026012	G60026012	1	Frame		
282	G07856011	E05856	2	Disc spring (3 Stk.)		
283	G60022023	G60022023	2	Notch plate		
284	G07827017	E06612	2	Mushroom head square neck bolt (3 Stk.)		
285	G07846001	E01912	2	Self-locking hex nut (10 Stk.)		
286	G07838071	E08001	2	Hexagon screw		
287	G07880001	E01980	2	Disc (10 Stk.)		
288	G00028069	G00028069	4	DU flanged bush		
289	G60022021	G60022021	2	Wheel fork bolt		
290	G60022018	G60022018	2	Wheel fork		
291	G07846005	E01968	2	Self-locking hex nut (10 Stk.)		
292	G00010141	G00010141	2	Disc (2 Stk.)		
293	G00028025	E06504	4	DU flanged bush		
294	G60021006	G60021006	2	Wheel Ø200		
295	G60021008	G60021008	2	Wheel bolt		
296	G60021007	G60021007	4	Winding protection cover		
297	G60021005	G60021005	2	Rim		
298	G60021004	G60021004	1	Profile wheel right 340x100		
299	G60021003	G60021003	1	Profile wheel left 340x100		