



Ersatzteile

AS 62 4T B&S

- from serial No. 036019110001

Seriennummer, Сериен номер, Sériové číslo, Serial number, Número de serie, Sarjanumero, Numéro de série, Serijski broj, Sorozatszám, Numero di serie, Serijos numeris, Seriennummer, Numer seryjny, Serijska številka

DE Hier Aufkleber aus Garantiekarte aufkleben.
BG Залепете тук стикери от гаранционната Карта.
CZ Sem nalepte nálepku ze záručního listu.
DK Her skal mærkaten fra garantikortet klæbes på.
GB Please adhere the sticker from the warranty card here.
ES Pegar aquí el adhesivo de la tarjeta de garantía.
FI Liimaa takuukortin tarra tähän.
FR Collez ici l'autocollant placé sur la carte de garantie .
HR Ovdje zalijepite naljepnicu iz jamstvenog lista.

HU Ide ragassza a matricát a garanciakártyából.
IT Applicare qui l'etichetta, come scheda di garanzia.
LT Čia užklijuokite garantijos pase pateiktą lipduką.
NL Plak hier sticker uit garantiekaart.
NO Lim klistremerke fra garantikortet inn her.
PL Tutaj nakleić naklejkę na kartę gwarancyjną.
SL Tukaj nalepite nalepko z garancijskega lista.
SE Klistra fast etiketten från garantikortet här.

Ab Serien Nr.: from serial No. 036019110001

Ausgabe: 02.04.2020, EN

AS-Motor Germany GmbH & Co. KG
Ellwanger Straße 15
D-74424 Bühlertann
Telefon 07973-9123-0
Telefax 07973-9123-259
www.as-motor.de

If you need spare parts:

1. Send your order to your AS-Motor dealer.
2. In order to get you the right spare part he needs:
 - **Model name (s. sticker on the machine)**
 - **Serial No. of machine (sticker or S/N lable)**
 - **Articlenumber**
 - **Your dealer orders part in our online system parts and more.**

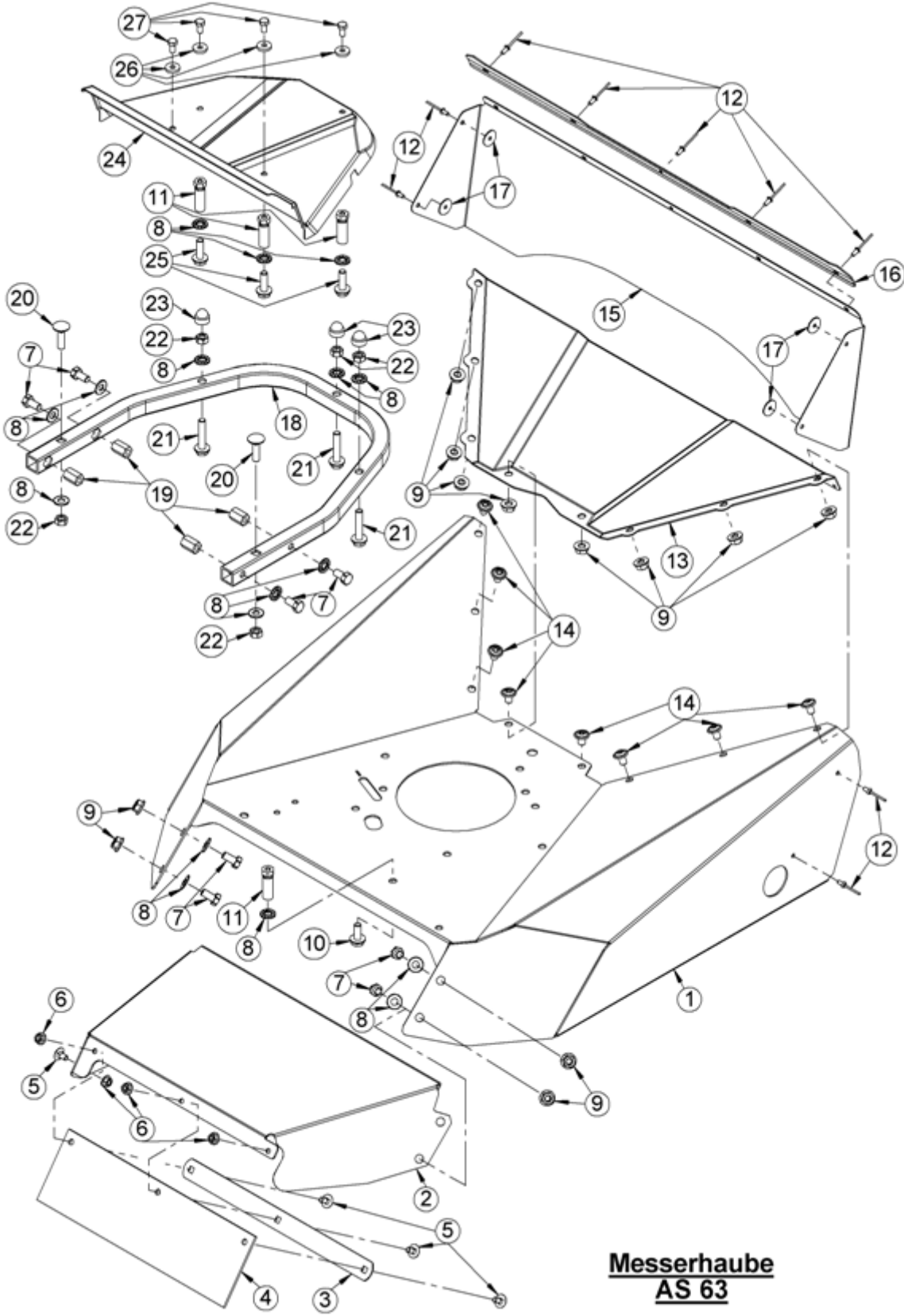
Only in this case you receive all important information about proper spare parts and possible technical changes.

Please fulfil only maintenance tasks mentioned in the owner manual by yourself. All other tasks have to be done by authorised AS-Motor dealer.

Subject to change without notice.

Images may show differences from the machines in production.

Blade cover

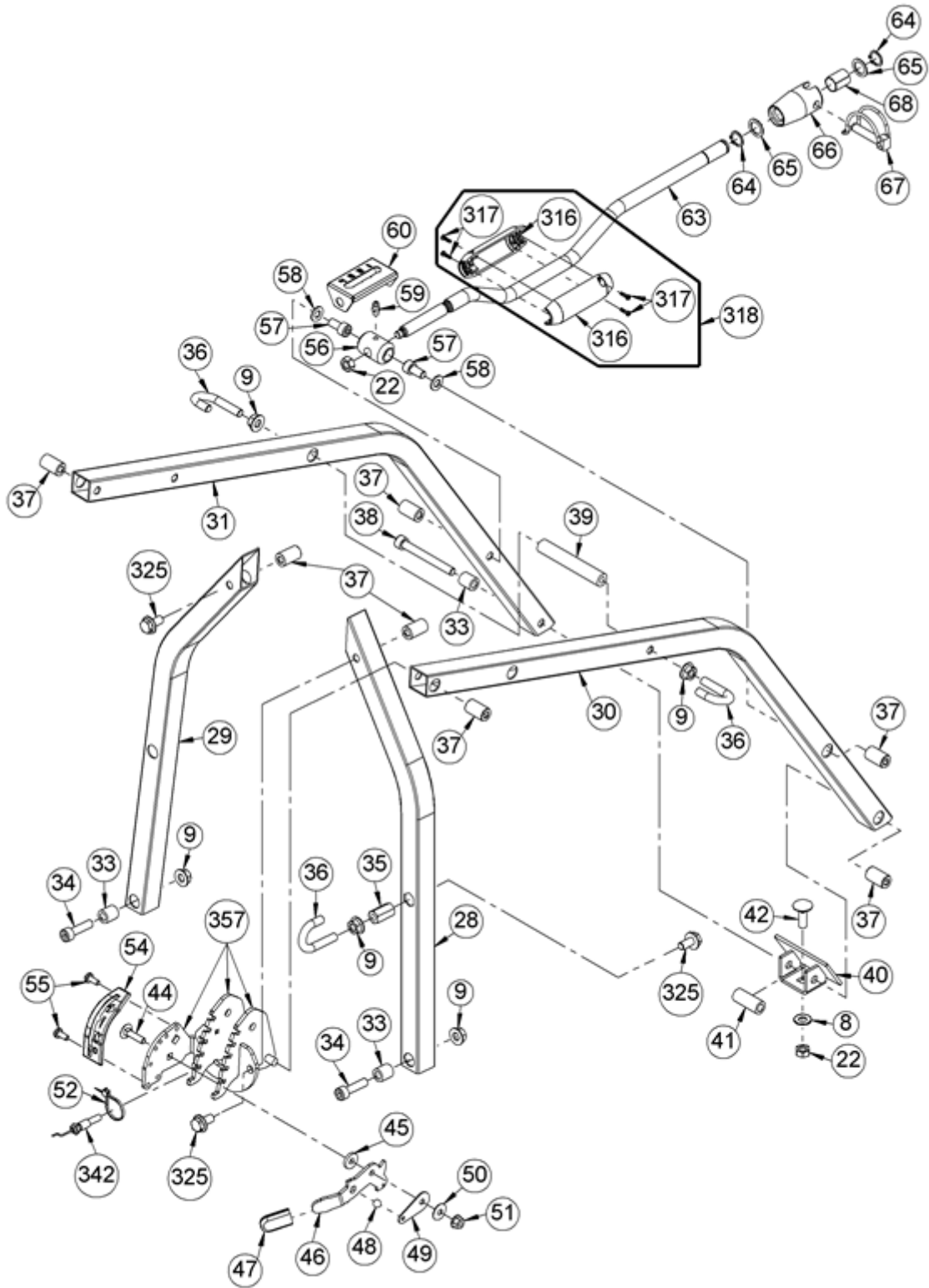


Messerhaube
AS 63

Blade cover

Item	Part-No.		Quantity	Description
1	G60020008	G60020008	1	Blade hood
2	G60020011	G60020011	1	Ejector
3	G60026013	G60026013	1	Protection skirt holder
4	G90126012	E12763	1	Ejector rubber
5	G07827008	E04991	4	Mushroom head square neck bolt (3 Stk.)
6	G00007041	E05975	4	Selflocking nut with serrated bearing (3
7	G07838026	E03932	8	Hexagon screw (10 Stk.)
8	G00042012	E07132	17	Detent edge disc (4 Stk.)
9	G00007042	E06037	12	Selflocking nut with serrated bearing (3
10	G00009108	E08177	1	Hexagon screw with serration (3 Stk.)
11	G60025021	G60025021	4	Belt guide
12	G00012006	E05262	9	Blind rivet (5 Stk.)
13	G60026010	G60026010	1	Sheet metal guard
14	G00009174	E12496	8	Dome head screw with Torx (10 Stk.)
15	G60026011	G60026011	1	Protection skirt
16	G60026007	G60026007	1	Protection strip
17	G00010120	E10118	4	Mudguard washer (10 Stk.)
18	G60020006	G60020006	1	Frame
19	G00007061	E10018	4	Connection nut
20	G07827028	G07827028	2	Mushroom head square neck bolt
21	G00009086	E06762	3	Hexagon screw
22	G07839003	E01906	5	Hex nut (10 Stk.)
23	G00029021	E10399	3	Sealing cap
24	G60026005	G60026005	1	Belt cover
25	G00009085	E06761	3	Hexagon screw
26	G07902005	G07902005	4	Disc (10 Stk.)
27	G07838015	E03959	4	Hexagon screw (10 Stk.)

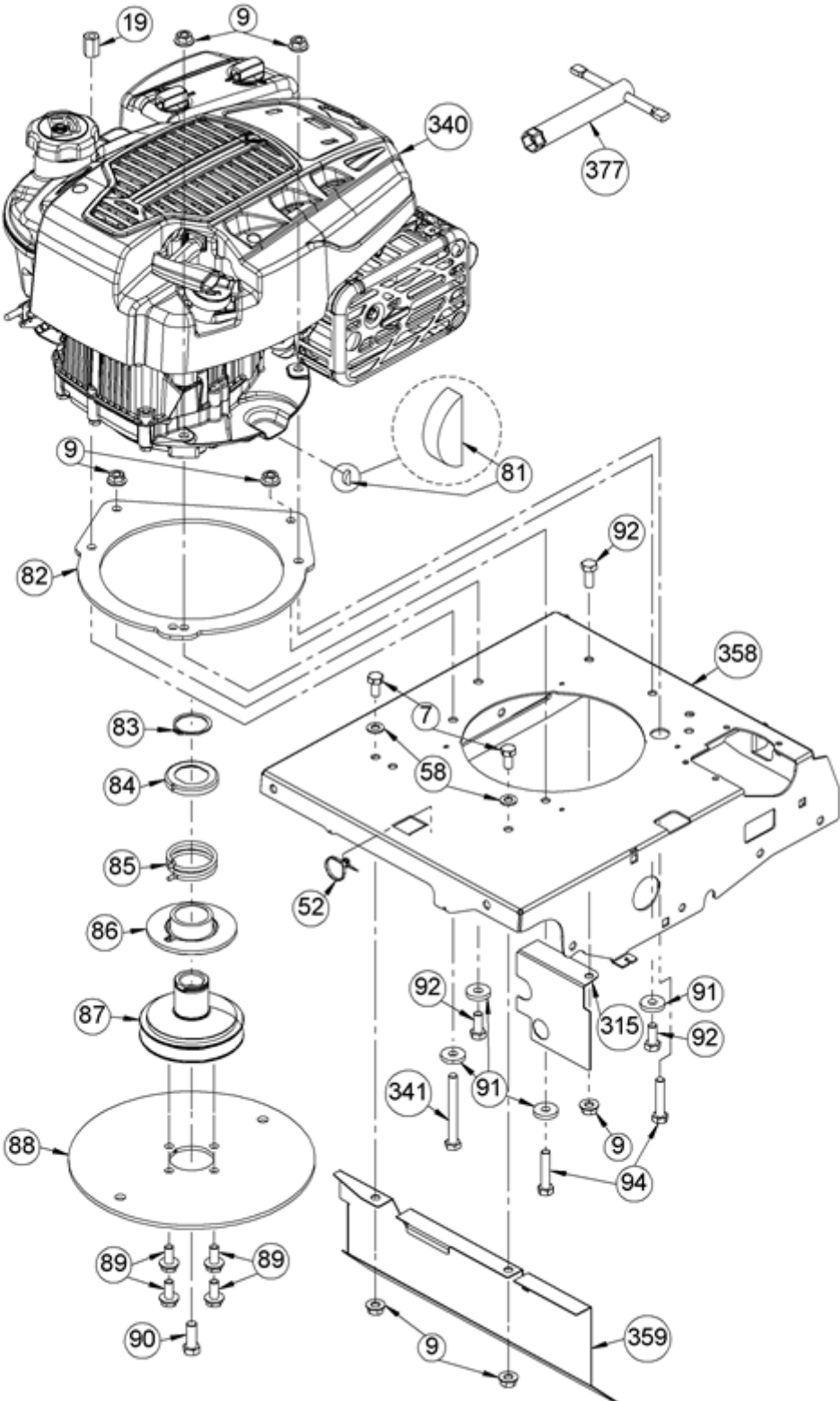
Strut



Strut

Item	Part-No.		Quantity	Description
8	G00042012	E07132	1	Detent edge disc (4 Stk.)
9	G00007042	E06037	5	Selflocking nut with serrated bearing (3
22	G07839003	E01906	2	Hex nut (10 Stk.)
28	G60022004	G60022004	1	Bar right side (back)
29	G60022005	G60022005	1	Bar left side (back)
30	G60022006	G60022006	1	Bar right side (front)
31	G60022007	G60022007	1	Bar left side (front)
33	G00024066	G00024066	3	Sleeve
34	G07833049	G07833049	2	Hexagon socket head cap screw (2 Stk.)
35	G07908002	E12692	1	Hex nut (10 Stk.)
36	G00005047	G00005047	3	Hook (3 Stk.)
37	G00007085	G00007085	7	Special nut
38	G07833050	G07833050	1	Hexagon socket head cap screw
39	G00007088	G00007088	1	Connection nut
40	G60020015	G60020015	1	Angle
41	G00024070	G00024070	1	Sleeve
42	G07827009	E05869	1	Mushroom head square neck bolt (3 Stk.)
44	G07827002	E03524	1	Mushroom head square neck bolt (5 Stk.)
45	G07861005	E07877	1	Disc (2 Stk.)
46	G60022046	G60022046	1	Accelerator lever
47	G00029024	E10779	1	PVC cap
48	G07904006	G07904006	1	Ball (10 Stk.)
49	G60022050	G60022050	1	Spring
50	G00033024	E08861	1	Disc spring
51	G07937001	E12459	1	Hex nut (10 Stk.)
52	G00026006	E07956	1	Cable tape (4 Stk.)
54	G60022049	G60022049	1	Throttle controll
55	G00009128	E10373	2	Self-tapping Torx screw (10 Stk.)
56	G60022024	G60022024	1	Joint nut
57	G07833011	E05458	2	Hexagon socket head cap screw (5 Stk.)
58	G07809004	E01905	2	Disc (20 Stk.)
59	G07903002	E05868	1	Lubricating nipple (3 Stk.)
60	G60022027	G60022027	1	Angle
63	G60022029	G60022029	1	Crank
64	G07822024	E12283	2	Circlip for shaft
65	G07847059	G07847059	2	Shim (10 Stk.)
66	G60022026	G60022026	1	Fork head
67	G00027015	E07881	1	Tube linchpin
68	G00028034	E07919	1	DU bush
316	G60022051	G60022051	2	Handle
317	G00009184	G00009184	4	Raised cross-head screw (10 Stk.)
318	G60080004	G60080004	1	Handle with screw
325	G00009189	G00009189	3	Hexagon screw with serration (5 Stk.)
342	G00020194	G00020194	1	Throttle cable 4T
357	G60022202	G60022202	1	Notch plate

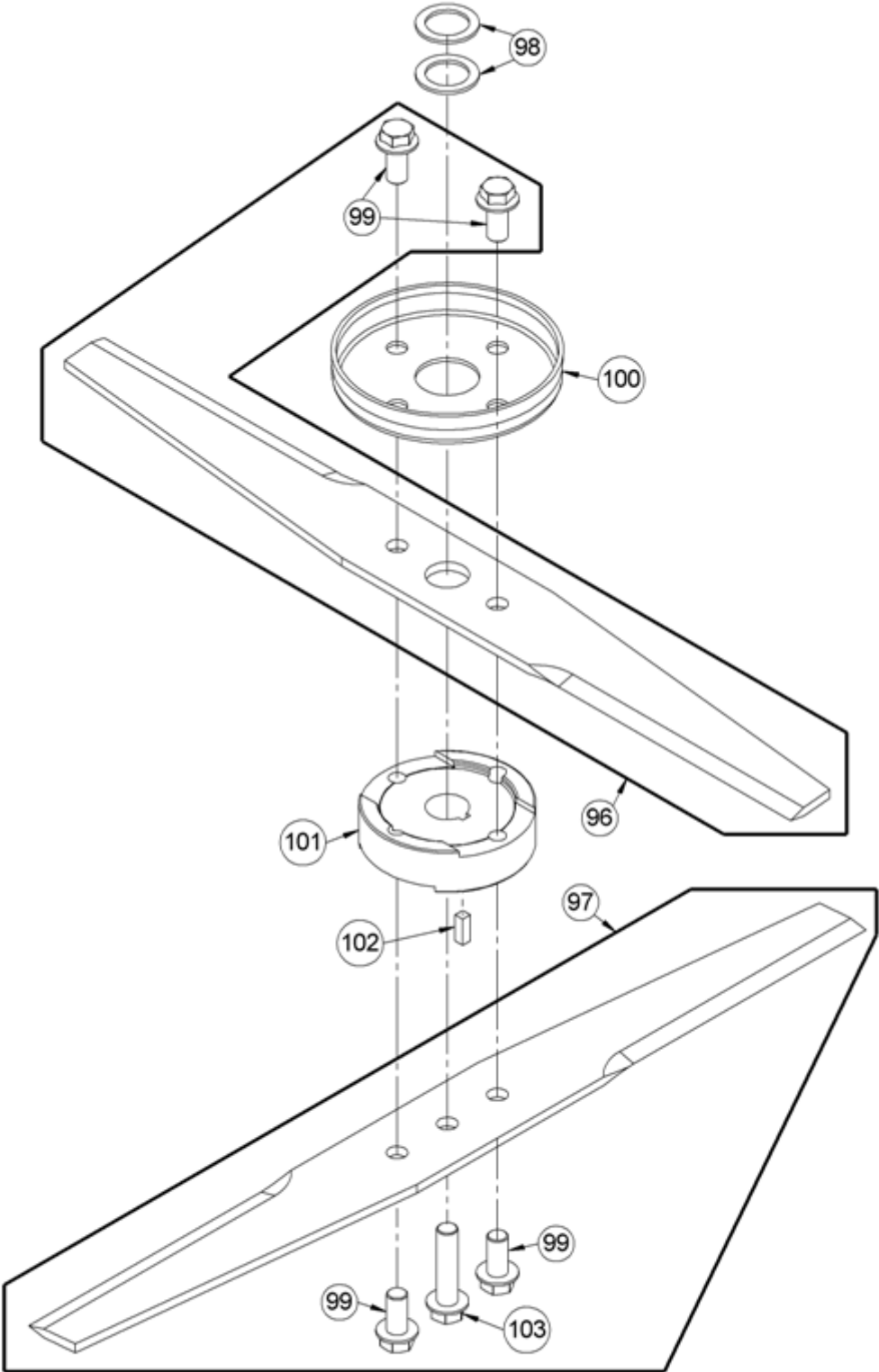
Motor



Motor

Item	Part-No.		Quantity	Description
7	G07838026	E03932	2	Hexagon screw (10 Stk.)
9	G00007042	E06037	7	Selflocking nut with serrated bearing (3
19	G00007061	E10018	1	Connection nut
52	G00026006	E07956	1	Cable tape (4 Stk.)
58	G07809004	E01905	2	Disc (20 Stk.)
81	G07866007	E10162	1	Curved washer
82	G60020021	G60020021	1	Engine plate
83	G07822010	E06311	1	Circlip for shaft (2 Stk.)
84	G53125011	E12362	1	Pot for spring
85	G00001094	G00001094	1	Pressure spring
86	G60025023	G60025023	1	Vario disc
87	G60025011	G60025011	1	Engine hub
88	G60025012	G60025012	1	Flywheel
89	G00009146	E10417	4	Locking screw (4 Stk.)
90	G00009109	E08269	1	Inch screw
91	G07861006	E07940	4	Disc
92	G07838028	E03938	3	Hexagon screw (10 Stk.)
94	G07837016	E03901	2	Hexagon screw (5 Stk.)
315	G60026016	G60026016	1	Wind cowl
340	G00501050	G00501050	1	Engine B&S 850E Series
341	G07837091	G07837091	1	Hexagon screw
358	G60020202	G60020202	1	Engine mount total
359	G60026201	G60026201	1	Access protection
377	G00011118	G00011118	1	Spark plug wrench

Blade with fixing

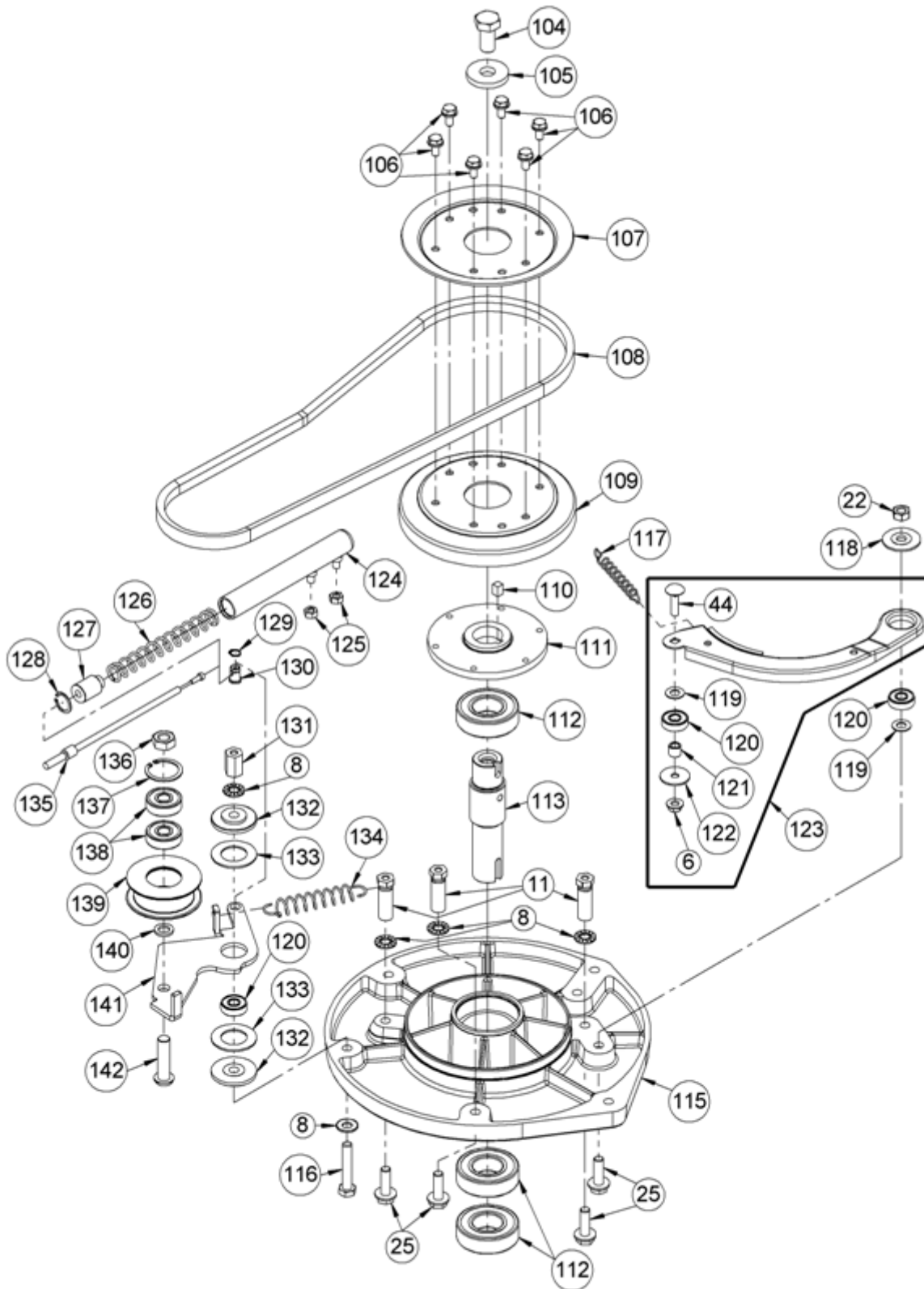


Messer mit Befestigung
AS 63

Blade with fixing

Item	Part-No.		Quantity	Description
96	G60080002	G60080002	1	Blade + 2 screws
97	G60080001	G60080001	1	Blade + 3 screws
98	G07847015	E03928	2	Supporting disc
99	G00009097	E07718	4	Locking screw
100	G60023011	G60023011	1	Winding protection cover
101	G60023008	G60023008	1	Cutter disc
102	G07865019	E07723	1	Feather key (4 Stk.)
103	G00009111	E08291	1	Locking screw

Blade clutch

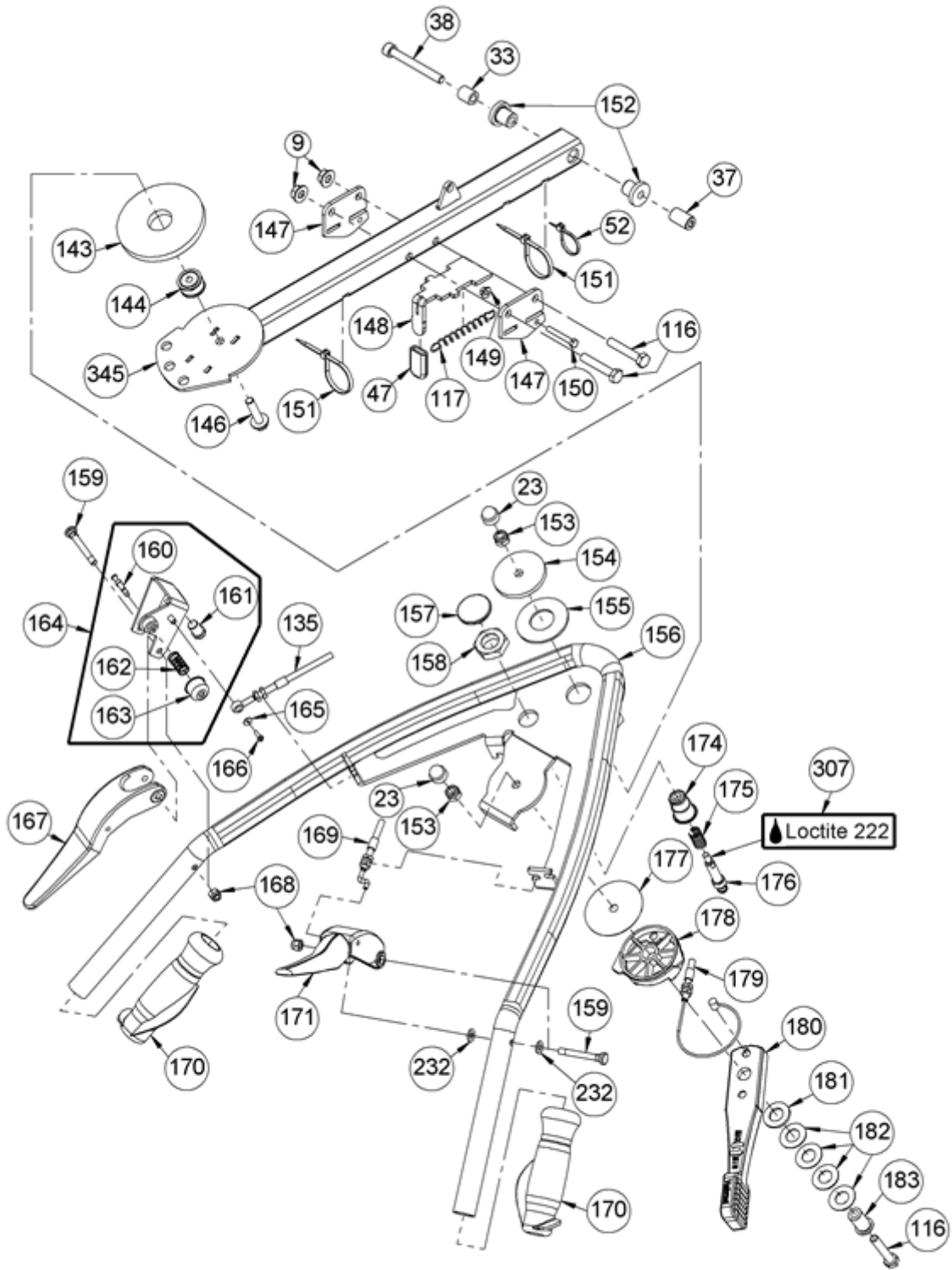


**Messerkupplung
AS 63**

Blade clutch

Item	Part-No.		Quantity	Description
6	G00007041	E05975	1	Selflocking nut with serrated bearing (3
8	G00042012	E07132	5	Detent edge disc (4 Stk.)
11	G60025021	G60025021	3	Belt guide
22	G07839003	E01906	1	Hex nut (10 Stk.)
25	G00009085	E06761	4	Hexagon screw
44	G07827002	E03524	1	Mushroom head square neck bolt (5 Stk.)
104	G07838038	E04926	1	Hexagon screw (3 Stk.)
105	G07861004	E07213	1	Disc
106	G00009016	E04631	6	Hexagon screw with serration (5 Stk.)
107	G60025004	G60025004	1	Belt pulley
108	G07857054	G07857054	1	V-belt
109	G60025005	G60025005	1	Brake drum
110	G07865012	E06648	1	Feather key (2 Stk.)
111	G60025010	G60025010	1	Belt pulley hub
112	G07830015	E08351	3	Deep groove ball bearing
113	G60023005	G60023005	1	Blade shaft
115	G60023010	G60023010	1	Blade baring
116	G07837018	E03905	1	Hexagon screw (3 Stk.)
117	G00002028	E05647	1	Draw spring
118	G00010130	E11606	1	Special disc
119	G07856010	E04337	2	Disc spring (5 Stk.)
120	G07830055	G07830055	3	Deep groove ball bearing
121	G00110013	E03699	1	Spacer sleeve (5 Stk.)
122	G00010084	E03710	1	Disc (10 Stk.)
123	G60034007	G60034007	1	Brake lever+brake lining+bearing
124	G60025015	G60025015	1	Sleeve
125	G07839014	E03915	2	Hex nut (20 Stk.)
126	G00001083	E08389	1	Pressure spring
127	G60025019	G60025019	1	Guide
128	G07823017	G07823017	1	Circlip for drilled hole (10 Stk.)
129	G07822004	E02970	1	Circlip for shaft (10 Stk.)
130	G60020025	G60020025	1	Cable nipple
131	G00007086	G00007086	1	Connection nut
132	G00010140	G00010140	2	Disc
133	G00010137	E13008	2	Thrust washer
134	G00002056	E07867	1	Draw spring
135	G00020181	G00020181	1	Blade clutch cable
136	G07839008	E01953	1	Hex nut (10 Stk.)
137	G07823016	E07209	1	Circlip for drilled hole (2 Stk.)
138	G07830047	E12509	2	Deep groove ball bearing
139	G60025009	G60025009	1	Tension pulley
140	G07847048	E08172	1	Shim (10 Stk.)
141	G60025013	G60025013	1	Tension lever
142	G07922003	E10159	1	Raised countersunk head screw with hexag

Handlebar and tie rod



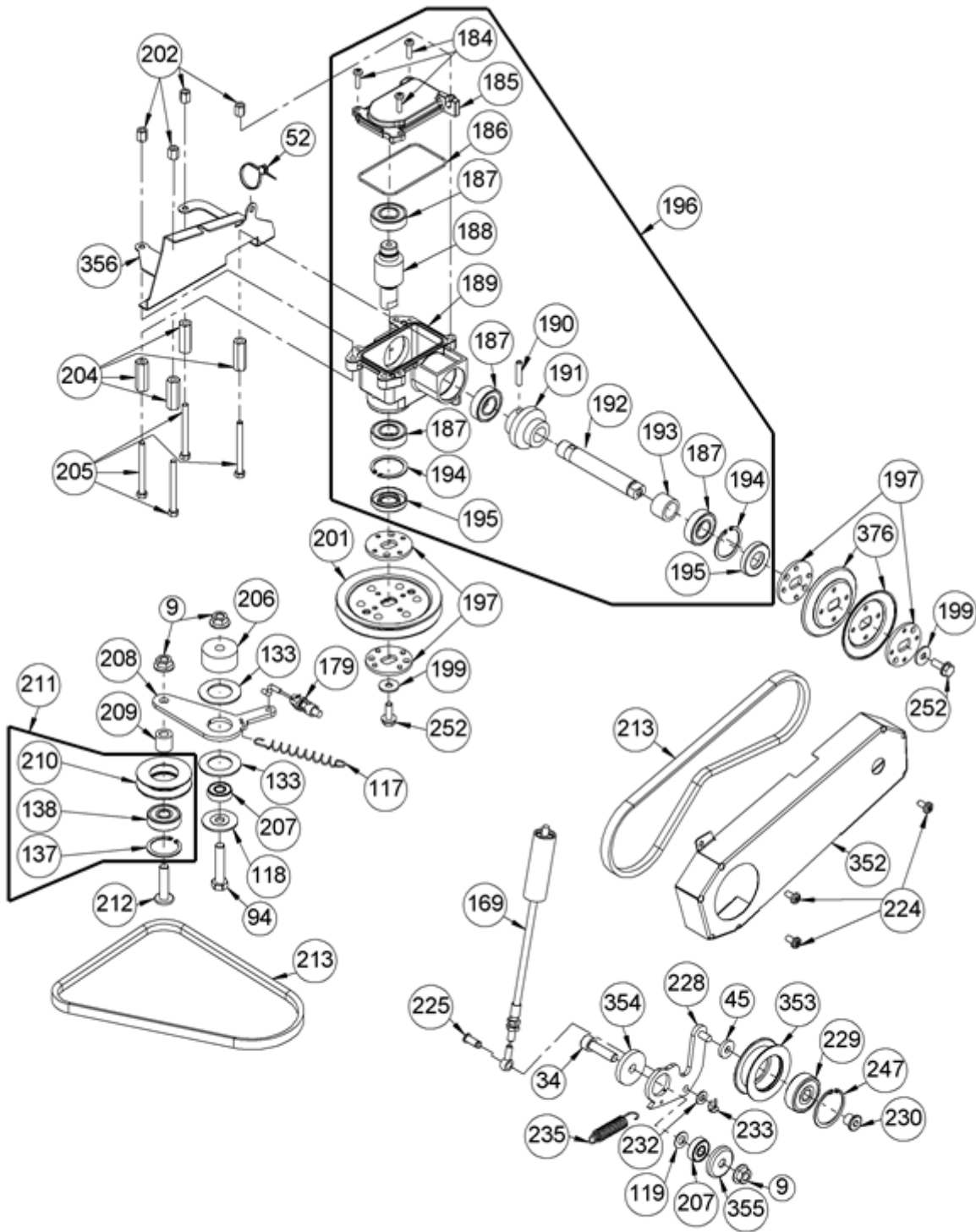
Handlebar and tie rod

Item	Part-No.		Quantity	Description
9	G00007042	E06037	2	Selflocking nut with serrated bearing (3
23	G00029021	E10399	2	Sealing cap
33	G00024066	G00024066	1	Sleeve
37	G00007085	G00007085	1	Special nut
38	G07833050	G07833050	1	Hexagon socket head cap screw
47	G00029024	E10779	1	PVC cap
52	G00026006	E07956	1	Cable tape (4 Stk.)
116	G07837018	E03905	3	Hexagon screw (3 Stk.)
117	G00002028	E05647	1	Draw spring
135	G00020181	G00020181	1	Blade clutch cable
143	G00008196	E12387	1	Vibration damper
144	G00024061	E12370	1	Sleeve
146	G00009182	G00009182	1	Locking screw
147	G60022017	G60022017	2	Guide
148	G60022014	G60022014	1	Locking bolt
149	G07932002	E12500	1	Hex nut (10 Stk.)
150	G07838054	E05718	1	Hexagon screw (3 Stk.)
151	G00026031	E12218	2	Cable tape (5 Stk.)
152	G60020016	G60020016	2	Sleeve
153	G07918002	E07669	2	Self-locking hex nut (2 Stk.)
154	G00010134	E12460	1	Disc
155	G00019059	E10016	1	Slide washer
156	G60022031	G60022031	1	Handlebar
157	G00008202	G00008202	1	Handle
158	G07841007	G07841007	1	Hex nut
159	G60022033	G60022033	2	Screw
160	G60022037	G60022037	1	Stop bolt
161	G00008125	E10371	1	Rubber buffer (2 Stk.)
162	G00001069	E05810	1	Pressure spring (5 Stk.)
163	G06322233	E05808	1	Cap
164	G60022038	G60022038	1	Notch lever
165	G07880009	E07936	1	Disc (5 Stk.)
166	G07878017	E07937	1	Raised cross-head screw (5 Stk.)
167	G06122125	E06050	1	Hand lever
168	G07846008	E03829	2	Self-locking hex nut (10 Stk.)
169	G00020182	G00020182	1	Drive cable
170	G00008070	E04813	2	Handlebar grip (left + right = 2 grips)
171	G60022045	G60022045	1	Hand lever
174	G53122033	G53122033	1	Sleeve
175	G00001096	G00001096	1	Pressure spring
176	G53122034	G53122034	1	Stop bolt
177	G00010142	G00010142	1	Disc
178	G04322050	E05783	1	Adjusting disc
179	G00020179	G00020179	1	Vario cable
180	G04322055	E05784	1	Adjusting lever
181	G07809010	E03592	1	Disc (10 Stk.)
182	G07856006	E03319	4	Disc spring (10 Stk.)

Handlebar and tie rod Page 2

Item	Part-No.		Quantity	Description
183	G60022032	G60022032	1	Sleeve
232	G07809006	E01940	2	Disc (10 Stk.)
307	G00041019	E04719	1	LOCTITE 222 (50 ml)
345	G60022058	G60022058	1	Oberholm vollst.

Drive

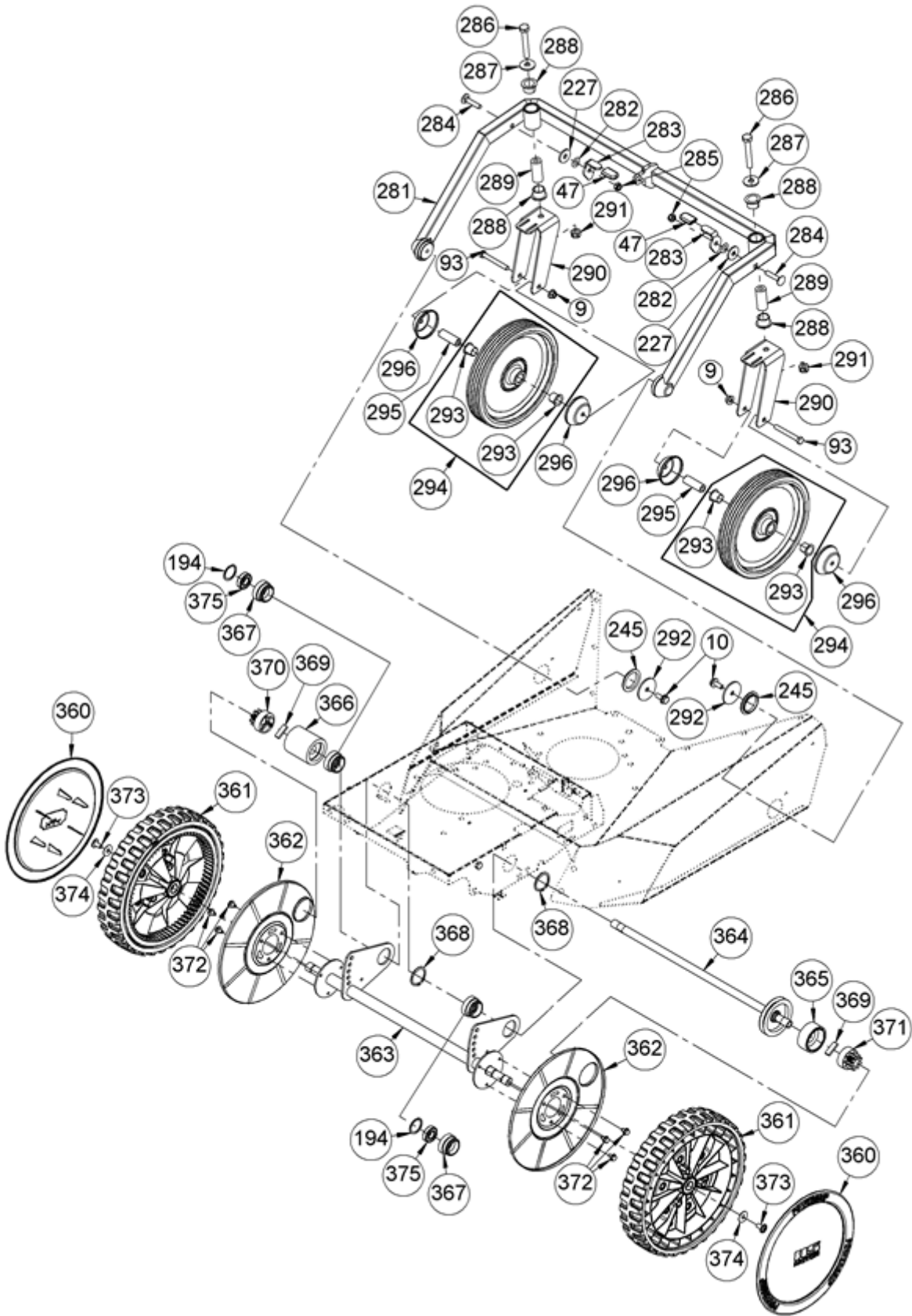


Drive

Item	Part-No.		Quantity	Description
9	G00007042	E06037	3	Selflocking nut with serrated bearing (3
34	G07833049	G07833049	1	Hexagon socket head cap screw (2 Stk.)
45	G07861005	E07877	1	Disc (2 Stk.)
52	G00026006	E07956	1	Cable tape (4 Stk.)
94	G07837016	E03901	1	Hexagon screw (5 Stk.)
117	G00002028	E05647	1	Draw spring
118	G00010130	E11606	1	Special disc
119	G07856010	E04337	1	Disc spring (5 Stk.)
133	G00010137	E13008	2	Thrust washer
137	G07823016	E07209	1	Circlip for drilled hole (2 Stk.)
138	G07830047	E12509	1	Deep groove ball bearing
169	G00020182	G00020182	1	Drive cable
179	G00020179	G00020179	1	Vario cable
184	G07878011	E05900	3	Raised cross-head screw (5 Stk.)
185	G04830003	E10444	1	Transmission cover
186	G00006058	E10449	1	Gasket
187	G07830017	E04683	4	Deep groove ball bearing
188	G60030012	G60030012	1	Worm shaft
189	G04830002	E10443	1	Transmission housing
190	G07853020	E04322	1	Spring pin (10 Stk.)
191	G60030011	G60030011	1	Worm wheel
192	G60030014	G60030014	1	Worm wheel shaft
193	G00028004	E04319	1	Bearing bush
194	G07823001	E01811	2	Circlip for drilled hole (2 Stk.)
195	G07858013	E10447	2	Shaft seal ring
196	G60030013	G60030013	1	Transmission total
197	G00010065	E04663	4	Disc (3 Stk.)
199	G07880004	E03914	2	Disc (20 Stk.)
201	G60025007	G60025007	1	Belt pulley total
202	G00007087	G00007087	4	Connection nut (10 Stk.)
204	G00007089	G00007089	4	Connection nut (10 Stk.)
205	G07837039	E04889	4	Hexagon screw (5 Stk.)
206	G60025014	G60025014	1	Spacer sleeve
207	G07830031	E07211	2	Deep groove ball bearing
208	G60025006	G60025006	1	Vario lever
209	G00024071	G00024071	1	Sleeve
210	G06525056	E07891	1	Tension pulley
211	G06525063	E07208	1	Tension pulley with ball bearing
212	G00009069	E06613	1	Raised-head shouldered screw (2 Stk.)
213	G07857053	G07857053	2	V-belt
224	G00009180	E13119	3	Rounded head screw with inside Torx
225	G00012027	E08451	1	Bolt for anti-folding mechanism
228	G60025020	G60025020	1	Belt tensioner
229	G07830012	E04329	1	Deep groove ball bearing
230	G00007079	E12369	1	Special nut
232	G07809006	E01940	1	Disc (10 Stk.)
233	G00027016	E08452	1	Anti-folding mechanism (5 Stk.)

Item	Part-No.		Quantity	Description
235	G00002079	G00002079	1	Draw spring
247	G07823011	E04330	1	Circlip for drilled hole (5 Stk.)
252	G00009094	E07247	2	Locking screw (2 Stk.)
352	G60026203	G60026203	1	Belt protection
353	G60025203	G60025203	1	Spannrolle
354	G00010133	E12385	1	Disc
355	G06822031	E08449	1	Bearing washer
356	G60026202	G60026202	1	Cover
376	G00330016	E04664	2	Belt pulley half

Wheel and wheel strut



Wheel and wheel strut

Item	Part-No.		Quantity	Description
9	G00007042	E06037	2	Selflocking nut with serrated bearing (3
10	G00009108	E08177	2	Hexagon screw with serration (3 Stk.)
47	G00029024	E10779	2	PVC cap
93	G07837041	E04944	2	Hexagon screw (3 Stk.)
227	G07810004	E06262	2	Disc (5 Stk.)
194	G07823001	E01811	2	Circlip for drilled hole (2 Stk.)
245	G00028048	E10433	2	Friction bearing with collar
281	G60026012	G60026012	1	Frame
282	G07856011	E05856	2	Disc spring (3 Stk.)
283	G60022023	G60022023	2	Notch plate
284	G07827017	E06612	2	Mushroom head square neck bolt (3 Stk.)
285	G07846001	E01912	2	Self-locking hex nut (10 Stk.)
286	G07838071	E08001	2	Hexagon screw
287	G07880001	E01980	2	Disc (10 Stk.)
288	G00028069	G00028069	4	DU flanged bush
289	G60022021	G60022021	2	Wheel fork bolt
290	G60022018	G60022018	2	Wheel fork
291	G07846005	E01968	2	Self-locking hex nut (10 Stk.)
292	G00010141	G00010141	2	Disc (2 Stk.)
293	G00028025	E06504	4	DU flanged bush
294	G60021006	G60021006	2	Wheel Ø200
295	G60021008	G60021008	2	Wheel bolt
296	G60021007	G60021007	4	Winding protection cover
360	G60021205	G60021205	2	Radblende Ø300
361	G60021203	G60021203	2	Wheel complete
362	G60021204	G60021204	2	Cover plate
363	G60020203	G60020203	1	Wheel swinging arm total
364	G60025202	G60025202	1	Drive shaft
365	G60026205	G60026205	1	Dust guard
366	G60026204	G60026204	1	Axle Cover
367	G60030201	G60030201	2	Bearing sleeve
368	G07822019	E10461	2	Circlip for shaft (10 Stk.)
369	G06125006	E03122	2	Tappet (4 Stk.)
370	G06125010	E03125	1	Pinion left 9 teeth
371	G06125009	E03126	1	Pinion right 9 teeth
372	G07890001	E04509	6	Flanged self-tapping screw
373	G00009175	E12497	2	Dome head screw with Torx (2 Stk.)
374	G00033019	E06345	2	Disc spring (2 Stk.)
375	G07830003	E02104	2	Deep groove ball bearing

Instruction plate – set

378



Instruction plate – set

Item	Part-No.		Quantity	Description
378	G60080008	G60080008	1	Instruction plate □□□V set AS 63 and AS

Proposal for wear parts list

ET - Bereich - AS-Motor
AS 1040 YAK 4WD
ab FNr. 033118050001 Serienstart

Verschleißteilliste
Reparaturteilliste
Elektronische Anlage
Schlagelwerk
Unterbaue

Stückliste: Verschleißteilliste
Alle Artikel in den Warenkorb

Pos	Art.-Nr.	Art.-Nr. (bisher)	Menge (T)	Beschreibung	Info	Modell	Preis	% =>	Tech-Info
1	G90190003	G90190003	28 (1)	Schlagelmesser mit Befestigung					bearbeiten
2	G07857057	G07857057	1 (1)	Keilriemen					bearbeiten
3	G07857056	G07857056	1 (1)	Keilriemen					bearbeiten
4	G07857035	E08304	1 (1)	Hochleistungskelriemen					bearbeiten
5	G90434008	G90434008	1 (1)	Bremsbelaghalter mit Bremsbelag					bearbeiten
6	G00041064	E12381	1 (10)	2x5L Kanister Öl Titan Supersyn SAE5W-50					bearbeiten
7	G00006067	G00006067	1 (1)	O-Ring					bearbeiten
8	G06950016	E11741	1 (1)	Dichtscheibe 10					bearbeiten
9	G06980002	E11530	1 (1)	Ölfilter+Deckel+Dichtungen					bearbeiten
10	G00006066	G00006066	1 (1)	O-Ring					bearbeiten

1 → Alle Artikel in den Warenkorb legen / Put all items in the cart /
Mettre tous les articles dans le panier / Pon todos los articulos en el
carrito / Поместить все запасные части в корзину

Bei Bedarf Artikel in der Zeichnung ansehen / If necessary, see the article in the
drawing / Si nécessaire, regarder l'article dans l'eclaté / Si es necesario, ver el
artículo en el dibujo / При необходимости см. запасную часть на чертеже:

2 → Klick auf Fernglas / Click on binoculars / Cliquez sur les jumelles / Haga clic
en binoculares / Нажмите на бинокль

3 → Klick auf Artikel-Nummer bei Gerätemodell / Click on item number at
according device model / Cliquez sur le numéro de pièce dans le modèle
d'appareil / Haga clic en el número de artículo en el modelo de máquina /
Нажмите на номер товара для модели устройства

partid... mone.org/kunden/see_verbaud.php

3

Proposal for wear parts list

Item	Part-No.		Quantity	Description
1	G60080002	G60080002	1	Blade + 2 screws
2	G60080001	G60080001	1	Blade + 3 screws
3	G07857054	G07857054	1	V-belt
4	G60034007	G60034007	1	Brake lever+brake lining+bearing
5	G07857053	G07857053	2	V-belt

Proposal repair parts list

ET - Bereich - AS-Motor
AS 1040 YAK 4WD
ab FNr. 031118050001 Serienstart

Verschleißteilliste
Reparaturteilliste
Elektronische Anlage
Schlagelwerk
Interkabel

Stückliste: Verschleißteilliste
Alle Artikel in den Warenkorb

Pos	Art.-Nr.	Art.-Nr. (bisher)	Menge (T)	Beschreibung	Info	Modell	Preis	% =>	Tech-Info
1	G90190003	G90190003	28 (1)	Schlagelmesser mit Befestigung					bearbeiten
2	G07857057	G07857057	1 (1)	Keilriemen					bearbeiten
3	G07857056	G07857056	1 (1)	Keilriemen					bearbeiten
4	G07857035	E08304	1 (1)	Hochleistungskeilriemen					bearbeiten
5	G90434008	G90434008	1 (1)	Bremsbelaghalter mit Bremsbelag					bearbeiten
6	G00041064	E12381	1 (10)	2x5L Kanister Öl Titan Supersyn SAE5W-50					bearbeiten
7	G00006067	G00006067	1 (1)	O-Ring					bearbeiten
8	G06950016	E11741	1 (1)	Dichtscheibe 10					bearbeiten
9	G06980002	E11530	1 (1)	Ölfilter+Deckel+Dichtungen					bearbeiten
10	G00006066	G00006066	1 (1)	O-Ring					bearbeiten

1 → Alle Artikel in den Warenkorb legen / Put all items in the cart /
Mettre tous les articles dans le panier / Pon todos los articulos en el
carrito / Поместить все запасные части в корзину

Bei Bedarf Artikel in der Zeichnung ansehen / If necessary, see the article in the
drawing / Si nécessaire, regarder l'article dans l'eclaté / Si es necesario, ver el
artículo en el dibujo / При необходимости см. запасную часть на чертеже:

2 → Klick auf Fernglas / Click on binoculars / Cliquez sur les jumelles / Haga clic
en binoculares / Нажмите на бинокль

3 → Klick auf Artikel-Nummer bei Gerätemodell / Click on item number at
according device model / Cliquez sur le numéro de pièce dans le modèle
d'appareil / Haga clic en el número de artículo en el modelo de máquina /
Нажмите на номер товара для модели устройства

partid... mone.org/kunden/see_verbaud.php

3

Proposal repair parts list

Item	Part-No.		Quantity	Description
1	G60026011	G60026011	1	Protection skirt
2	G00001094	G00001094	1	Pressure spring
3	G60025023	G60025023	1	Vario disc
4	G00020181	G00020181	1	Blade clutch cable
5	G00020182	G00020182	1	Drive cable
6	G00020179	G00020179	1	Vario cable
7	G00008070	E04813	2	Handlebar grip (left + right = 2 grips)