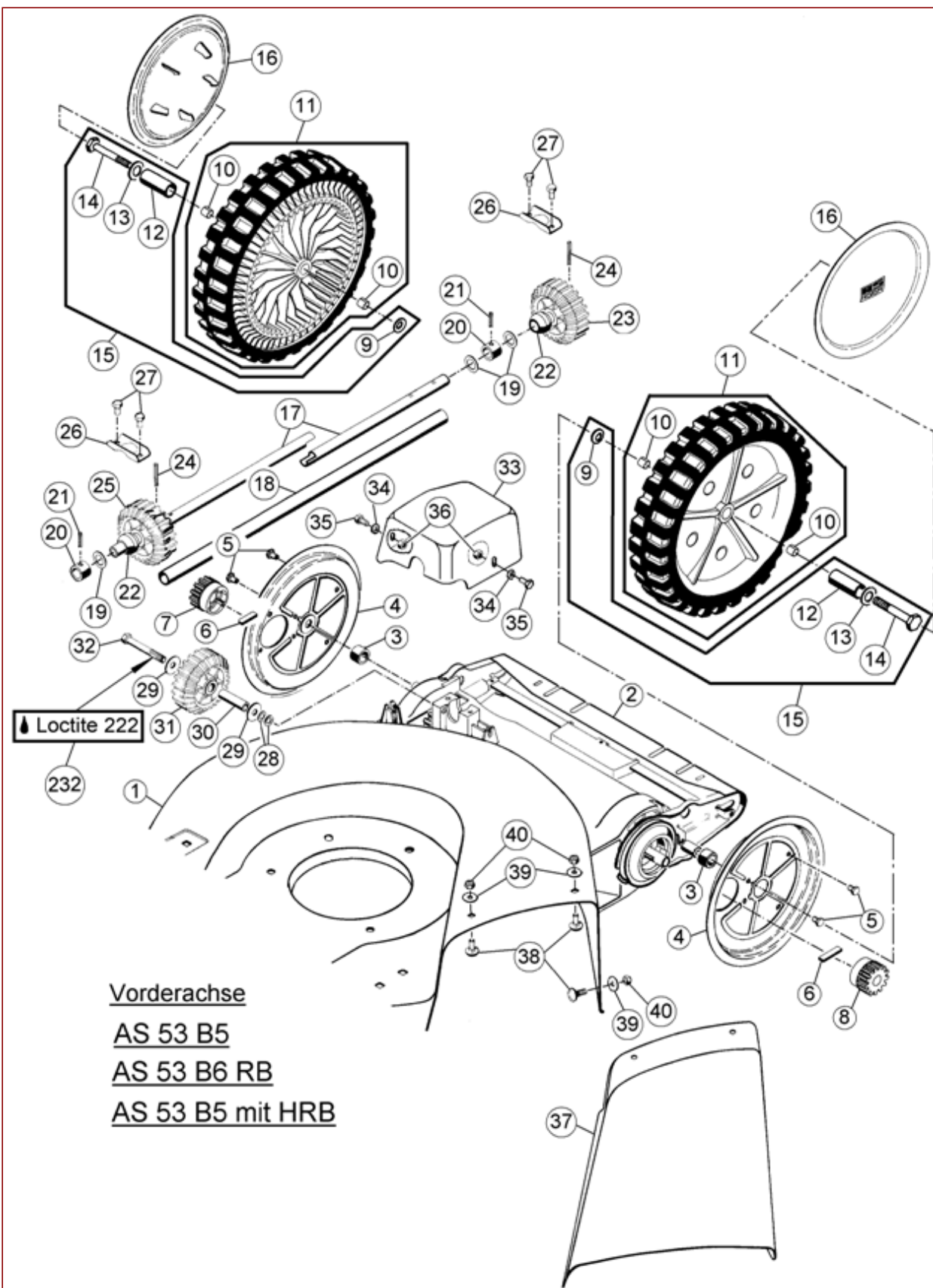


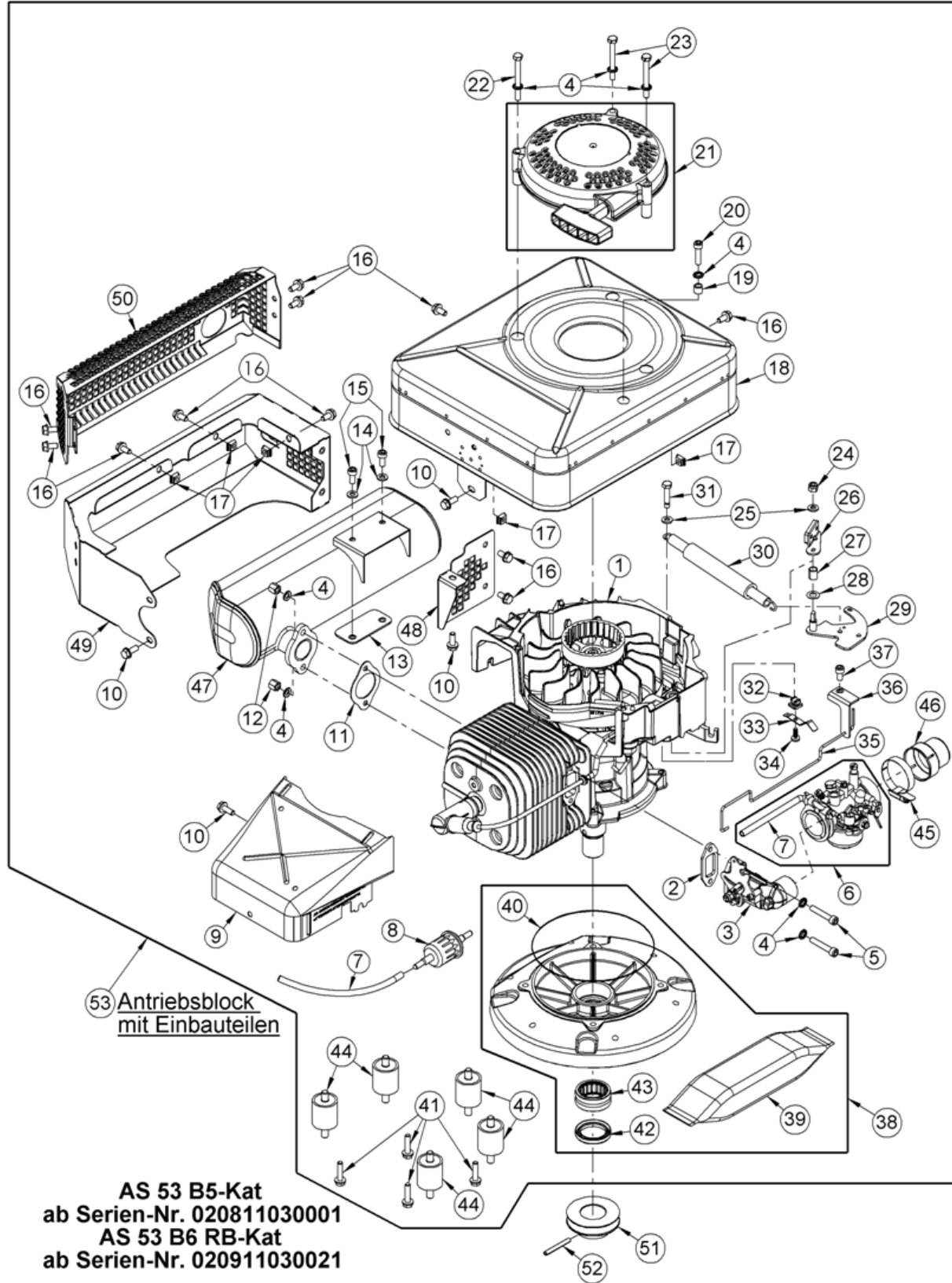
AS 53 B6/RB cat from serial No. 020908020001 – ET documentation – Rear axle

Pos	Art-Nr.	E-Nr.	Menge	Beschreibung	Modell	Info
1	G04320002	E04361	1	Blade hood		
3	G04321001	E04367	2	Spacer tube		
4	G04321003	E05273	2	Cover plate		
5	G07890003	E04576	4	Flanged self-tapping screw (3 Stk.)		
7	G06125008	E03124	1	Pinion left 13 teeth		
8	G06125007	E03123	1	Pinion right 13 teeth		
9	G07856005	E03483	2	Disc spring (5 Stk.)		
10	G00028005	E04601	4	DU bush		
11	G04521015	E05269	2	Wheel complete		
12	G06121007	E04185	2	Bearing sleeve		
13	G07880001	E01980	2	Disc (10 Stk.)		
14	G07837011	E04186	2	Hexagon screw (3 Stk.)		
15	G06180004	E03129	2	Axle screw complete with tin		
16	G04521014	E05271	2	Wheel trim		
22	G07855001	E03118	1	Spherical bearing		
28	G07847018	E04374	2	Shim (10 Stk.)		
29	G07880006	E03957	2	Disc (20 Stk.)		
30	G04325057	E04375	1	Bearing bush		
31	G04325053	E04373	1	Bevel spur gear total		
32	G07837005	E03142	1	Hexagon screw (4 Stk.)		
38	G07827003	E04262	1	Mushroom head square neck bolt (5 Stk.)		
43	G04320006	E04364	1	Locking segment left		
44	G04320008	E04365	1	Locking segment right		
45	G04320076	E07250	1	Clamping collar		
46	G07878008	E04308	6	Raised cross-head screw with Torx insid		
47	G04320003	E04362	1	Bowden cable support angle		
49	G00008096	E06566	1	Rubber element with white point		
50	G07862012	E04352	1	Tooth lock washer (20 Stk.)		
51	G00007042	E06037	1	Selflocking nut with serrated bearing (3		
52	G04320078	E07252	1	Handle bar total		
53	G04320021	E04301	1	Bolt strip		
54	G04320022	E04302	1	Thrust piece		
55	G07853019	E04306	1	Spring pin (20 Stk.)		
56	G00003016	E04304	2	Leg spring (2 Stk.)		
57	G04320023	E04303	2	Locking bolt		
58	G07853018	E04305	2	Spring pin (20 Stk.)		
59	G04320077	E07251	1	Wheel adjustment total		
60	G04328001	E04284	1	Cover hood back		
61	G00009094	E07247	2	Locking screw (2 Stk.)		
136	G00007041	E05975	1	Selflocking nut with serrated bearing (3		
205	G00009108	E08177	3	Hexagon screw with serration (3 Stk.)		
219	G06125006	E03122	2	Tappet (4 Stk.)		
232	G00041019	E04719	1	LOCTITE 222 (50 ml)		



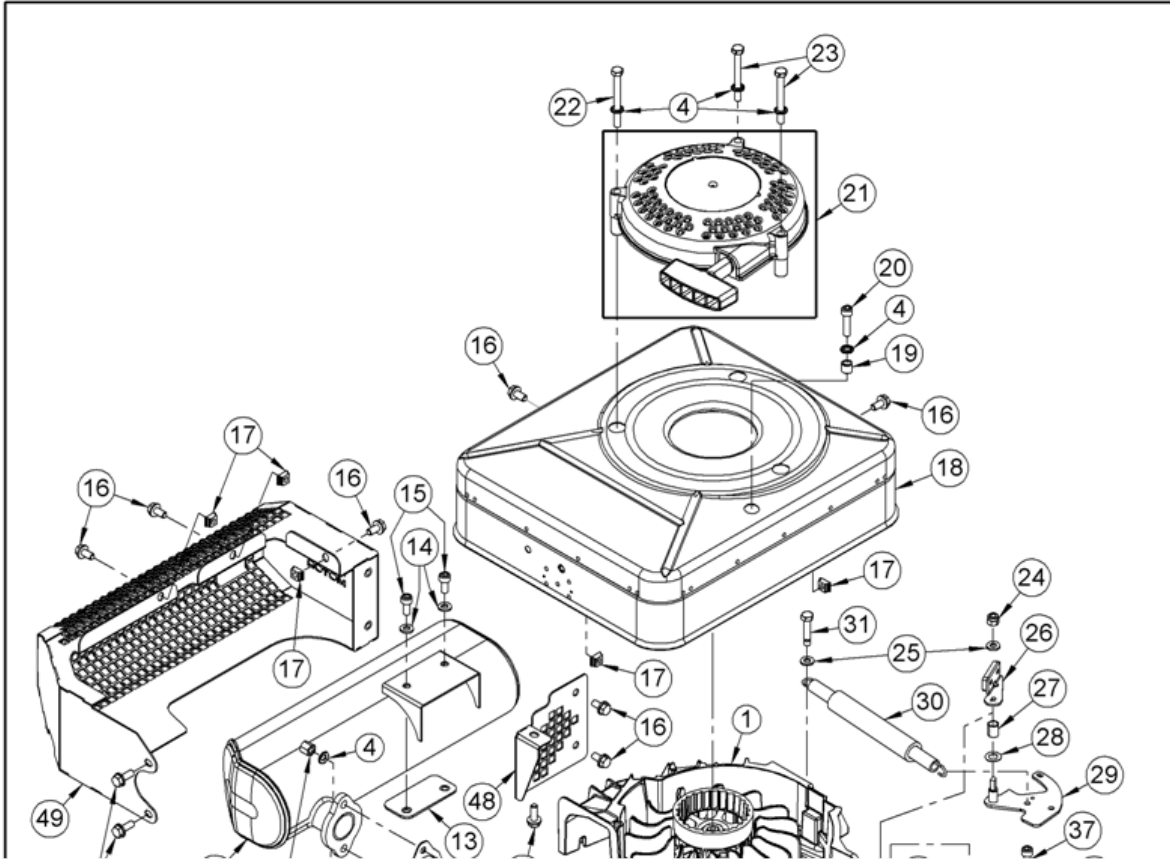
AS 53 2T 4WD RB and AS 53 B6/RB cat from serial No. 020911030021 – ET documentation – Front axle


Pos	Art-Nr.	E-Nr.	Menge	Beschreibung	Modell	Info
1	G04320002	E04361	1	Blade hood		
2	G04320054	E05274	1	Blade hood front part total		
3	G04321001	E04367	2	Spacer tube		
4	G04321003	E05273	2	Cover plate		
5	G07890003	E04576	4	Flanged self-tapping screw (3 Stk.)		
6	G04125019	E04036	2	Tappet (2 Stk.)		
7	G06125008	E03124	1	Pinion left 13 teeth		
8	G06125007	E03123	1	Pinion right 13 teeth		
9	G07856005	E03483	2	Disc spring (5 Stk.)		
10	G00028005	E04601	4	DU bush		
11	G04521015	E05269	2	Wheel complete		
12	G06121007	E04185	2	Bearing sleeve		
13	G07880001	E01980	2	Disc (10 Stk.)		
14	G07837011	E04186	2	Hexagon screw (3 Stk.)		
15	G06180004	E03129	2	Axle screw complete with tin		
16	G04521014	E05271	2	Wheel trim		
17	G04325048	E04368	2	Cardan half shaft		
18	G04325061	E04370	1	Cardan tube		
19	G07847006	E02119	3	Shim (5 Stk.)		
20	G04320015	E04298	2	Spacer tube		
21	G07853017	E04299	2	Spring pin (10 Stk.)		
22	G07855001	E03118	2	Spherical bearing		
23	G04325051	E04369	1	Bevel spur gear		
24	G07853001	E01965	2	Spring pin (20 Stk.)		
25	G04325127	E06574	1	Bevel gear		
26	G04325050	E04372	2	Clamp		
27	G00009016	E04631	4	Hexagon screw with serration (5 Stk.)		
28	G07847018	E04374	2	Shim (10 Stk.)		
29	G07880006	E03957	2	Disc (20 Stk.)		
30	G04325057	E04375	1	Bearing bush		
31	G04325053	E04373	1	Bevel spur gear total		
32	G07837005	E03142	1	Hexagon screw (4 Stk.)		
33	G04328005	E04376	1	Cover hood front		
34	G07811006	E01908	2	Spring washer (20 Stk.)		
35	G07838004	E01930	2	Hexagon screw (10 Stk.)		
36	G07839007	E01950	2	Hex nut (10 Stk.)		
37	G04320070	E04363	1	Impact protection		
38	G07827003	E04262	3	Mushroom head square neck bolt (5 Stk.)		
39	G07880004	E03914	3	Disc (20 Stk.)		
40	G07918001	E07269	3	Self-locking hex nut (6 Stk.)		
232	G00041019	E04719	1	LOCTITE 222 (50 ml)		

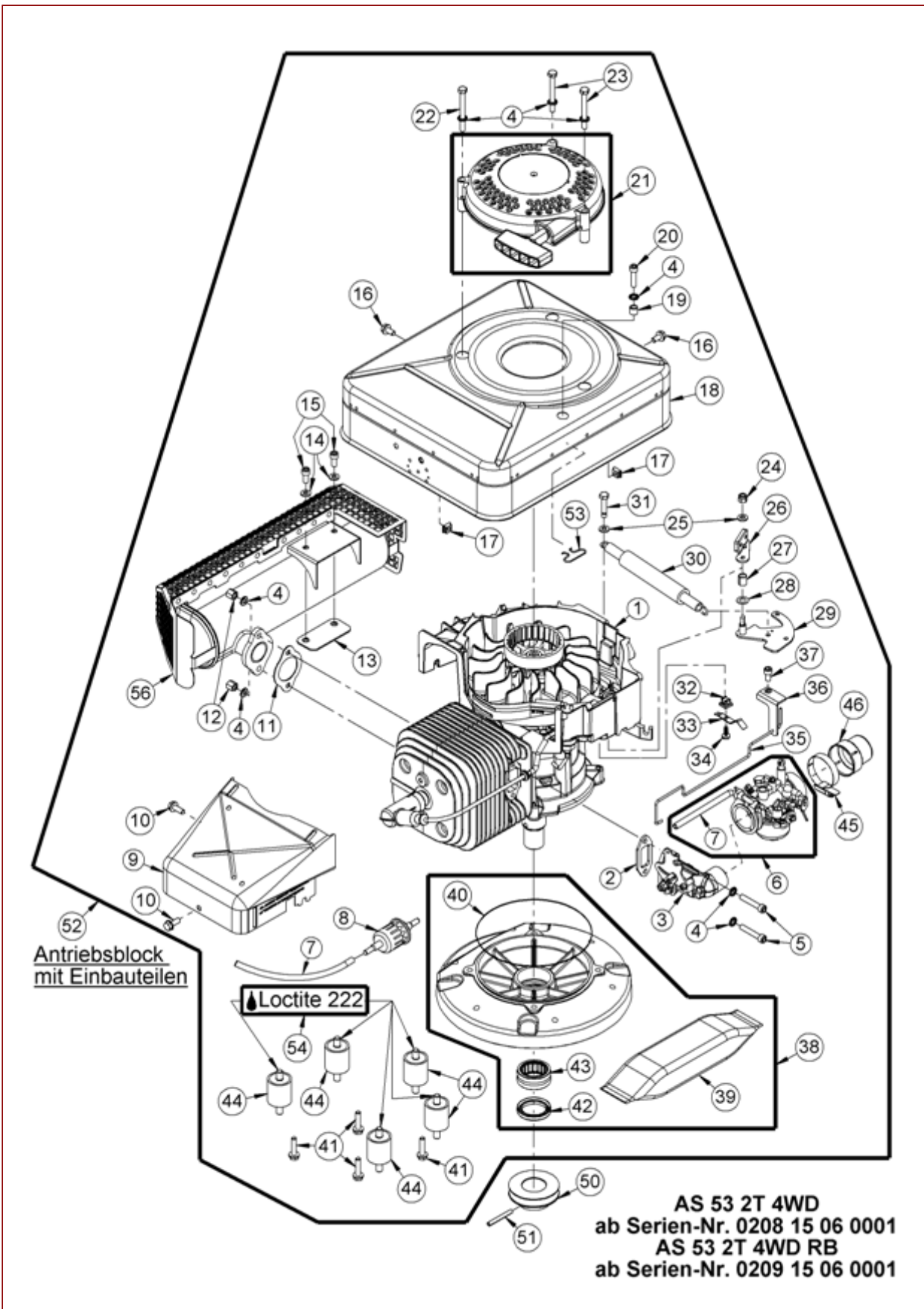


AS 53 2T 4WD RB and AS 53 B6/RB cat from serial No. 020911030021 – ET documentation – Drive block to serial No. 020913030200

Pos	Art-Nr.	E-Nr.	Menge	Beschreibung	Modell	Info
1	G00680062	E12391	1	Bare engine PLUS		
2	G00105038	E03487	1	Insulating plate		
3	G00105083	E11783	1	Intake manifold with shut-off panel		
4	G00042006	E05862	8	Detent edge disc (5 Stk.)		
5	G07833009	E04934	2	Hexagon socket head cap screw (3 Stk.)		
6	G00605026	E10797	1	Carburetor with hose cat. engine		
7	G00150085	E04585	1	Fuel hose 1 metre		
8	G00023004	E12374	1	Filter		
9	G00107036	E10790	1	Cooling air guide		
10	G07913004	E10189	4	Hexagon screw with flange		
11	G00109003	E03366	1	Exhaust gasket		
12	G00007025	E03706	2	Special nut (10 Stk.)		
13	G00109071	E11794	1	Threaded plate		
14	G07809006	E01940	2	Disc (10 Stk.)		
15	G07833042	E11516	2	Hexagon socket head cap screw (10 Stk.)		
16	G07913008	E10836	11	Flange screw (20 Stk.)		
17	G00007047	E06934	5	Punch and press-in nut		
18	G00110027	E11782	1	Engine cover		
19	G00110013	E03699	1	Spacer sleeve (5 Stk.)		
20	G07833007	E04854	1	Hexagon socket head cap screw (4 Stk.)		
21	G00180086	E10820	1	Starter total + SK plate		
22	G07837025	E04227	1	Hexagon screw		
23	G07837014	E03744	2	Hexagon screw (5 Stk.)		
24	G07846008	E03829	1	Self-locking hex nut (10 Stk.)		
25	G07809006	E01940	2	Disc (10 Stk.)		
26	G00134006	E06132	1	Brake lever with brake lining		
27	G00028021	E11921	1	DU bush		
28	G07812006	E07549	1	Spring disc (5 Stk.)		
29	G00134038	E11749	1	Actuating lever		
30	G00180136	E11810	1	Draw spring		
31	G00134040	E11793	1	Screw spring bearing		
32	G00008078	E05463	1	Insulating piece (3 Stk.)		
33	G00134016	E06343	1	Short circuiting contact		
34	G07875018	E07950	1	Raised cross-head sheet metal screw (5 S		
35	G00134028	E10765	1	panel rod		
36	G00134039	E11811	1	Panel rod bearing		
37	G07833013	E05657	1	Hexagon socket head cap screw (3 Stk.)		
38	G00680048	E07197	1	Flange+E03114+E04717		
39	G00041001	E04717	1	Grease for gears (300 ml)		
40	G00006050	E03114	1	O-ring		
41	G07913012	E11920	4	Screw (4 Stk.)		
42	G07858004	E04236	1	Shaft seal ring		
43	G07829003	E04234	1	Needle roller bearing		
44	G00008096	E06566	5	Rubber element with white point		
45	G00034013	E04242	1	Hose clamp		
46	G00605004	E04241	1	Adapter for silencer		
47	G00609042	E11759	1	Replaced by G00605056		
	G00609056	G00609056	1	Catalyst exhaust system 4 wheel mower		
48	G00609049	E11821	1	Catalyst cover holder 4 wheel mower		
49	G00609046	E11820	1	Cover catalyst four wheel		
50	G00609041	E10793	1	Catalyst protective grille 4 wheel mover		
51	G00602006	E04247	1	Belt pulley		
52	G07853015	E04244	1	Spring pin (5 Stk.)		
53	G00680070	E11913	1	Driving unit + filter		

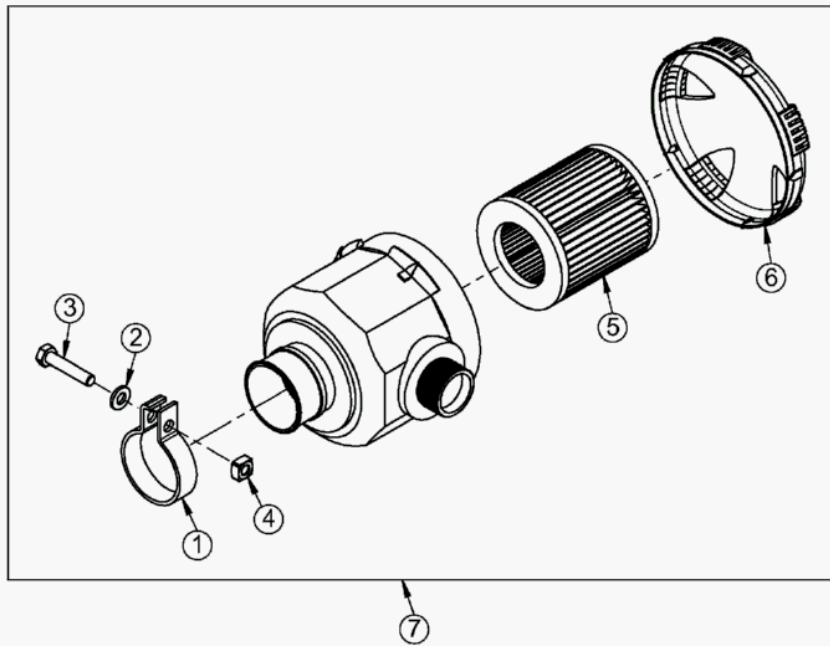


Pos	Art-Nr.	E-Nr.	Menge	Beschreibung	Modell	Info
1	G00680062	E12391	1	Bare engine PLUS		
2	G00105038	E03487	1	Insulating plate		
3	G00105083	E11783	1	Intake manifold with shut-off panel		
4	G00042006	E05862	8	Detent edge disc (5 Stk.)		
5	G07833009	E04934	2	Hexagon socket head cap screw (3 Stk.)		
6	G00605026	E10797	1	Carburetor with hose cat. engine		
7	G00150085	E04585	1	Fuel hose 1 metre		
8	G00023004	E12374	1	Filter		
9	G00107036	E10790	1	Cooling air guide		
10	G07913004	E10189	4	Hexagon screw with flange		
11	G00109003	E03366	1	Exhaust gasket		
12	G00007025	E03706	2	Special nut (10 Stk.)		
13	G00109071	E11794	1	Threaded plate		
14	G07809006	E01940	2	Disc (10 Stk.)		
15	G07833042	E11516	2	Hexagon socket head cap screw (10 Stk.)		
16	G07913008	E10836	7	Flange screw (20 Stk.)		
17	G00007047	E06934	5	Punch and press-in nut		
18	G00110027	E11782	1	Engine cover		
19	G00110013	E03699	1	Spacer sleeve (5 Stk.)		
20	G07833007	E04854	1	Hexagon socket head cap screw (4 Stk.)		
21	G00180086	E10820	1	Starter total + SK plate		
22	G07837025	E04227	1	Hexagon screw		
23	G07837014	E03744	2	Hexagon screw (5 Stk.)		
24	G07846008	E03829	1	Self-locking hex nut (10 Stk.)		
25	G07809006	E01940	2	Disc (10 Stk.)		
26	G00134006	E06132	1	Brake lever with brake lining		
27	G00028021	E11921	1	DU bush		
28	G07812006	E07549	1	Spring disc (5 Stk.)		
29	G00134038	E11749	1	Actuating lever		
30	G00180136	E11810	1	Draw spring		
31	G00134040	E11793	1	Screw spring bearing		
32	G00008078	E05463	1	Insulating piece (3 Stk.)		
33	G00134016	E06343	1	Short circuiting contact		
34	G07875018	E07950	1	Raised cross-head sheet metal screw (5 S		
35	G00134028	E10765	1	panel rod		
36	G00134039	E11811	1	Panel rod bearing		
37	G07833013	E05657	1	Hexagon socket head cap screw (3 Stk.)		
38	G00680048	E07197	1	Flange+E03114+E04717		
39	G00041001	E04717	1	Grease for gears (300 ml)		
40	G00006050	E03114	1	O-ring		
41	G07913012	E11920	4	Screw (4 Stk.)		
42	G07858004	E04236	1	Shaft seal ring		
43	G07829003	E04234	1	Needle roller bearing		
44	G00008096	E06566	5	Rubber element with white point		
45	G00034013	E04242	1	Hose clamp		
46	G00605004	E04241	1	Adapter for silencer		
47	G00609042	E11750	1	Replaced by G00605056		
	G00609056	G00609056	1	Catalyst exhaust system 4 wheel mower		
48	G00609049	E11821	1	Catalyst cover holder 4 wheel mower		
49	G00609046	E11820	1	Cover catalyst four wheel		
50	G00602006	E04247	1	Belt pulley		
51	G07853015	E04244	1	Spring pin (5 Stk.)		
52	G00680070	E11913	1	Driving unit + filter		



AS 53 2T 4WD RB and AS 53 B6/RB cat from serial No. 020911030021 – ET documentation – Drive block from serial No. 020915060001

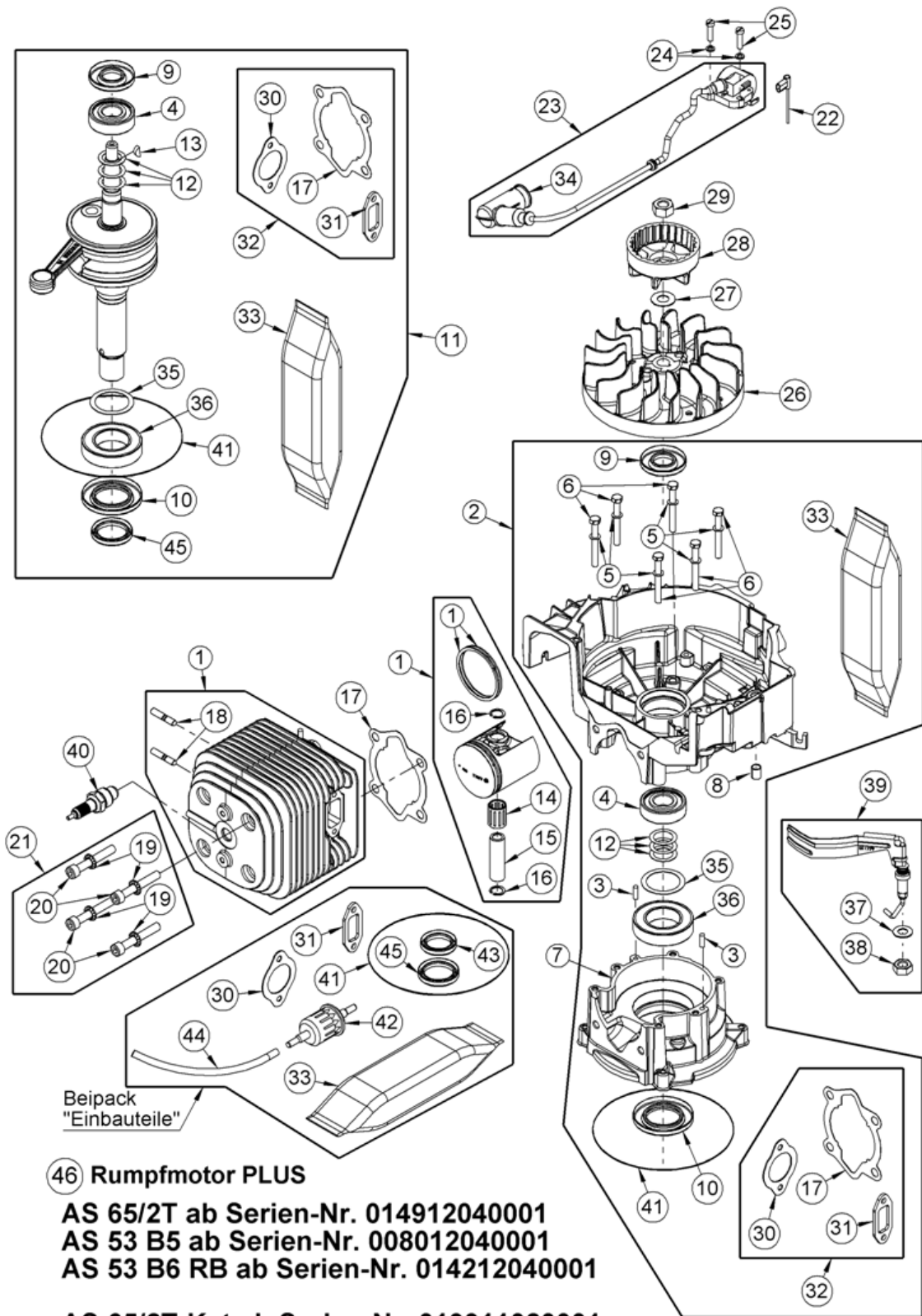
Pos	Art-Nr.	E-Nr.	Menge	Beschreibung	Modell	Info
1	G00680062	E12391	1	Bare engine PLUS		
2	G00105038	E03487	1	Insulating plate		
3	G00105083	E11783	1	Intake manifold with shut-off panel		
4	G00042006	E05862	8	Detent edge disc (5 Stk.)		
5	G07833009	E04934	2	Hexagon socket head cap screw (3 Stk.)		
6	G00605026	E10797	1	Carburetor with hose cat. engine		
7	G00150085	E04585	1	Fuel hose 1 metre		
8	G00023004	E12374	1	Filter		
9	G00107036	E10790	1	Cooling air guide		
10	G07913004	E10189	2	Hexagon screw with flange		
11	G00109003	E03366	1	Exhaust gasket		
12	G00007025	E03706	2	Special nut (10 Stk.)		
13	G00109071	E11794	1	Threaded plate		
14	G07809006	E01940	2	Disc (10 Stk.)		
15	G07833042	E11516	2	Hexagon socket head cap screw (10 Stk.)		
16	G07913008	E10836	2	Flange screw (20 Stk.)		
17	G00007047	E06934	2	Punch and press-in nut		
18	G00110027	E11782	1	Engine cover		
19	G00110013	E03699	1	Spacer sleeve (5 Stk.)		
20	G07833007	E04854	1	Hexagon socket head cap screw (4 Stk.)		
21	G00180086	E10820	1	Starter total + SK plate		
22	G07837025	E04227	1	Hexagon screw		
23	G07837014	E03744	2	Hexagon screw (5 Stk.)		
24	G07846008	E03829	1	Self-locking hex nut (10 Stk.)		
25	G07809006	E01940	2	Disc (10 Stk.)		
26	G00134006	E06132	1	Brake lever with brake lining		
27	G00028021	E11921	1	DU bush		
28	G07812006	E07549	1	Spring disc (5 Stk.)		
29	G00134038	E11749	1	Actuating lever		
30	G00180136	E11810	1	Draw spring		
31	G00134040	E11793	1	Screw spring bearing		
32	G00008078	E05463	1	Insulating piece (3 Stk.)		
33	G00134016	E06343	1	Short circuiting contact		
34	G07875018	E07950	1	Raised cross-head sheet metal screw (5 S		
35	G00134028	E10765	1	panel rod		
36	G00134039	E11811	1	Panel rod bearing		
37	G07833013	E05657	1	Hexagon socket head cap screw (3 Stk.)		
38	G00680012		1			
39	G00041001	E04717	1	Grease for gears (300 ml)		
40	G00006050	E03114	1	O-ring		
41	G07913012	E11920	4	Screw (4 Stk.)		
42	G07858004	E04236	1	Shaft seal ring		
43	G07829003	E04234	1	Needle roller bearing		
44	G00008096	E06566	5	Rubber element with white point		
45	G00034013	E04242	11	Hose clamp		
46	G00605004	E04241	1	Adapter for silencer		
50	G00602006	E04247	1	Belt pulley		
51	G07853015	E04244	1	Spring pin (5 Stk.)		
52	G00680070	E11913	1	Driving unit + filter		
53	G00005028	E04903	1	Cable holder		
54	G00041019	E04719	1	LOCTITE 222 (50 ml)		
56	G00609056	G00609056	1	Catalyst exhaust system 4 wheel mower		



Luftfilter vollst.

AS 45 B4-Kat from serial No. 021011040001 – ET documentation – Air filter

Pos	Art-Nr.	E-Nr.	Menge	Beschreibung	Modell	Info
1	G00034024	E07547	1	Pipe clip		
2	G07809006	E01940	10	Disc (10 Stk.)		
3	G07838027	E03933	10	Hexagon screw (10 Stk.)		
4	G07825002	E04225	5	Square nut (5 Stk.)		
5	G06350106	E07545	1	Filter insert		
6	G06350107	E08180	1	Cover for air filter		
7	G00605031	E10789	1	Air filter total		



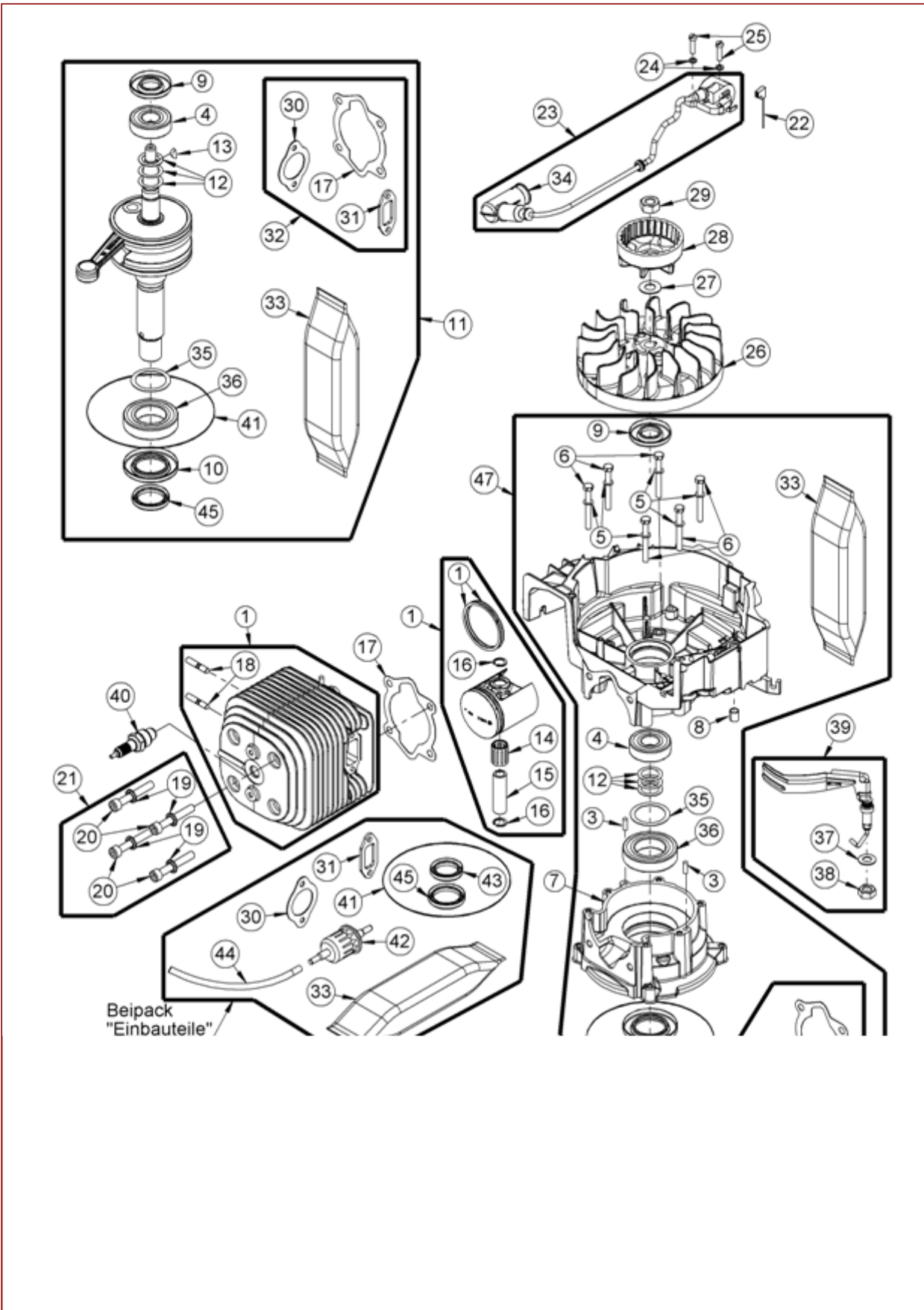
46 Rumpfmotor PLUS

AS 65/2T ab Serien-Nr. 014912040001
AS 53 B5 ab Serien-Nr. 008012040001
AS 53 B6 RB ab Serien-Nr. 014212040001

AS 65/2T-Kat ab Serien-Nr. 019911020001
AS 53 B5-Kat ab Serien-Nr. 020811030001
AS 53 B6 RB-Kat ab Serien-Nr. 020911030021

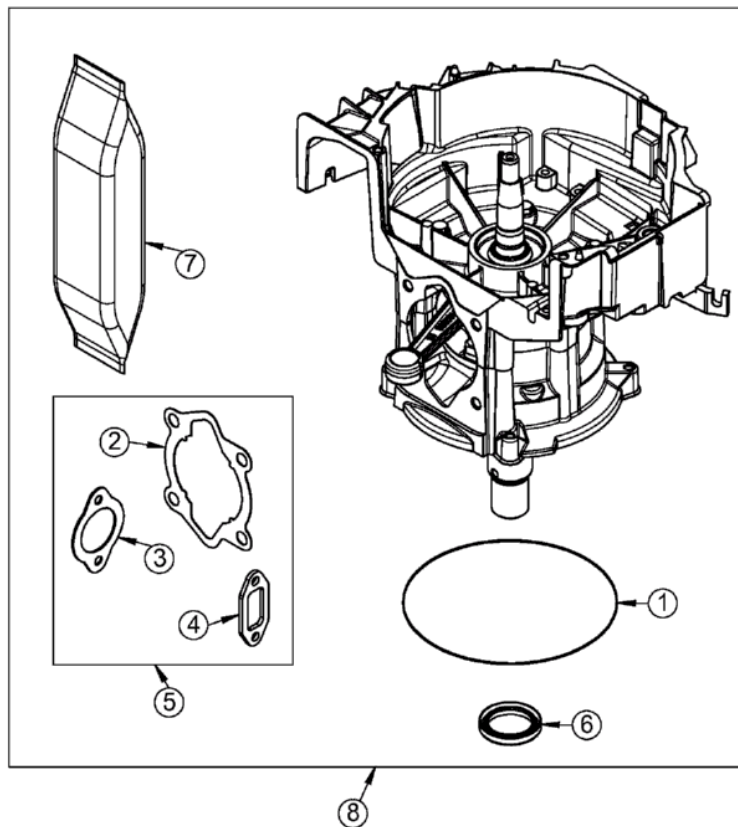
AS 53 2T 4WD and AS 53 B5 cat from serial No. 020811030001 – ET documentation – Basic engine PLUS

Pos	Art-Nr.	E-Nr.	Menge	Beschreibung	Modell	Info
1	1	1	1			
2	G00180132	E11919	1	Crankcase + mounting parts + 4717		
3	G07801001	E01901	2	Zylindersti.5M6x14 DIN EN 2338 (10 Stk.)		
4	G07830016	E03344	1	Deep groove ball bearing		
5	G07812004	E01920	6	Spring disc (20 Stk.)		
6	G07837014	E03744	6	Hexagon screw (5 Stk.)		
7	G00041003	E04718	1	LOCTITE 572 (50 ml)		
8	G00028021	E11921	1	DU bush		
9	G07858003	E03345	1	Shaft seal ring		
10	G00180117	E10958	1	Shaft seal ring + notice		
11	G00680021	E10543	1	Crankshaft + mounting parts + E04717		
12	G00180045	E04923	1	Shims 1 set		
13	G07866003	E03361	1	Curved washer (10 Stk.)		
14	G00036003	E03369	1	Needle cage		
15	G07883003	E03342	1	Piston bolt		
16	G07823008	E03343	2	Circlip for drilled hole (2 Stk.)		
17	G00103009	E03349	1	Cylinder base gasket (2 Stk.)		
18	G07832006	E01254	2	Stud (4 Stk.)		
19	G00042004	E05863	4	Detent edge disc (5 Stk.)		
20	G07833006	E04692	4	Hexagon socket head cap screw		
21	G00180012	E05322	1	Fixing device for cylinder (6 HP)		
22	G00104027	E11819	1	Short circuit cable 160 long		
23	G00104026	E11818	1	Ignition coil with cable and plug		
24	G07811006	E01908	2	Spring washer (20 Stk.)		
25	G07802028	E03372	2	Cylinder screw (5 Stk.)		
26	G00107038	E11725	1	Impeller		
27	G07856009	E03958	1	Disc spring (5 Stk.)		
28	G00111031	E04212	1	Tappet		
29	G07839015	E03921	1	Hex nut (4 Stk.)		
30	G00109003	E03366	1	Exhaust gasket		
31	G00105038	E03487	1	Insulating plate		
32	G00180003	E03683	1	Seal set 6 hp motor		
33	G00041001	E04717	1	Grease for gears (300 ml)		
34	G00104015	E03494	1	Spark plug connector		
35	G07847026	E04924	1	Shim (5 Stk.)		
36	G07830011	E03101	1	Deep groove ball bearing		
37	G07856005	E03483	1	Disc spring (5 Stk.)		
38	G07839018	E03484	1	Hex nut (2 Stk.)		
39	G00680050	E11779	1	Wind vane with mounting parts (4 wheel)		
40	G00104014	E01061	1	Spark plug		
41	G00006050	E03114	1	O-ring		
42	G00023004	E12374	1	Filter		
43	G00037007	E03107	1	Shaft seal ring		
44	G00150085	E04585	1	Fuel hose 1 metre		
45	G07858004	E04236	1	Shaft seal ring		
46	G00680062	E12391	1	Bare engine PLUS		
E10909	G00103023	E10909	1	Cylinder Ø 60.00		
E10910	G00150136	E10910	1	Cylinder Ø 60.02		
E10493	G00180067	E10493	1	Piston Ø 59.92 + needle cage + 2 ST ring		
E10494	G00180068	E10494	1	Piston Ø 59.94 + needle cage + 2 ST ring		
E10495	G00180069	E10495	1	Piston Ø 60.05 + needle cage + 2 ST ring		
E10496	G00180070	E10496	1	Piston Ø 60.45 + needle cage + 2 ST ring		
E10580	G00180078	E10580	1	1 Set of semi trapez. rings Ø 59.92		
E10723	G00180083	E10723	1	Semi-trapez. rings 60.05 (1 set=2 rings)		
E10724	G00180084	E10724	1	Semi-trapez. rings 60.45 (1 set=2 rings)		



AS 53 2T 4WD RB and AS 53 B6/RB cat from serial No. 020911030021 – ET documentation –

Pos	Art-Nr.	E-Nr.	Menge	Beschreibung	Modell	Info
1	1	1	1			
3	G07801001	E01901	2	Zylindersti.5M6x14 DIN EN 2338 (10 Stk.)		
4	G07830016	E03344	1	Deep groove ball bearing		
5	G07812004	E01920	6	Spring disc (20 Stk.)		
6	G07837014	E03744	6	Hexagon screw (5 Stk.)		
7	G00041003	E04718	1	LOCTITE 572 (50 ml)		
8	G00028021	E11921	1	DU bush		
9	G07858003	E03345	1	Shaft seal ring		
10	G00180117	E10958	1	Shaft seal ring + notice		
11	G00680021	E10543	1	Crankshaft + mounting parts + E04717		
12	G00180045	E04923	1	Shims 1 set		
13	G07866003	E03361	1	Curved washer (10 Stk.)		
14	G00036003	E03369	1	Needle cage		
15	G07883003	E03342	1	Piston bolt		
16	G07823008	E03343	2	Circlip for drilled hole (2 Stk.)		
17	G00103009	E03349	1	Cylinder base gasket (2 Stk.)		
18	G07832001		2			
19	G00042004	E05863	4	Detent edge disc (5 Stk.)		
20	G07833006	E04692	4	Hexagon socket head cap screw		
21	G00180012	E05322	1	Fixing device for cylinder (6 HP)		
22	G00104027	E11819	1	Short circuit cable 160 long		
23	G00104026	E11818	1	Ignition coil with cable and plug		
24	G07811006	E01908	2	Spring washer (20 Stk.)		
25	G07802028	E03372	2	Cylinder screw (5 Stk.)		
26	G00107038	E11725	1	Impeller		
27	G07856009	E03958	1	Disc spring (5 Stk.)		
28	G00111031	E04212	1	Tappet		
29	G07839015	E03921	1	Hex nut (4 Stk.)		
30	G00109003	E03366	1	Exhaust gasket		
31	G00105038	E03487	1	Insulating plate		
32	G00180003	E03683	1	Seal set 6 hp motor		
33	G00041001	E04717	1	Grease for gears (300 ml)		
34	G00104015	E03494	1	Spark plug connector		
35	G07847026	E04924	1	Shim (5 Stk.)		
36	G07830011	E03101	1	Deep groove ball bearing		
37	G07856005	E03483	1	Disc spring (5 Stk.)		
38	G07839018	E03484	1	Hex nut (2 Stk.)		
39	G00680050	E11779	1	Wind vane with mounting parts (4 wheel)		
40	G00104014	E01061	1	Spark plug		
41	G00006050	E03114	1	O-ring		
42	G00023004	E12374	1	Filter		
43	G00037007	E03107	1	Shaft seal ring		
44	G00150085	E04585	1	Fuel hose 1 metre		
45	G07858004	E04236	1	Shaft seal ring		
46	G00680062	E12391	1	Bare engine PLUS		
47	G00180157	G00180157	1	Crankcase + mounting parts + 4717		
E10909	G00103023	E10909	1	Cylinder Ø 60.00		
E10910	G00150136	E10910	1	Cylinder Ø 60.02		
E10493	G00180067	E10493	1	Piston Ø 59.92 + needle cage + 2 ST ring		
E10494	G00180068	E10494	1	Piston Ø 59.94 + needle cage + 2 ST ring		
E10495	G00180069	E10495	1	Piston Ø 60.05 + needle cage + 2 ST ring		
E10496	G00180070	E10496	1	Piston Ø 60.45 + needle cage + 2 ST ring		
E10580	G00180078	E10580	1	1 Set of semi trapez. rings Ø 59.92		
E10723	G00180083	E10723	1	Semi-trapez. rings 60.05 (1 set=2 rings)		
E10724	G00180084	E10724	1	Semi-trapez. rings 60.45 (1 set=2 rings)		



Rumpfmotor

Lieferumfang :

fertig
montiert

Kurbelgehäuse
Kurbelwelle
Rillenkugellager
Passscheiben
Wellendichtringe

beiliegend

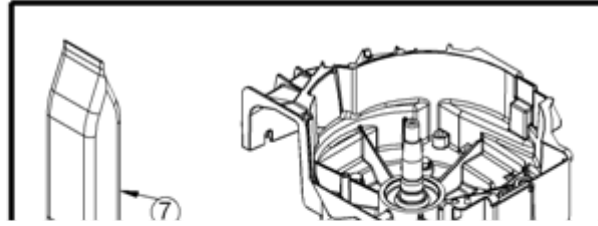
Rundschnurring
Wellendichtring
Dichtungssatz
Getriebefliessfett (300ml)

AS 65/2T ab Serien-Nr. 014912040001
AS 53 B5 ab Serien-Nr. 008012040001
AS 53 B6 RB ab Serien-Nr. 014212040001

AS 65/2T-Kat ab Serien-Nr. 019911020001
AS 53 B5-Kat ab Serien-Nr. 020811030001
AS 53 B6 RB-Kat ab Serien-Nr. 020911030021

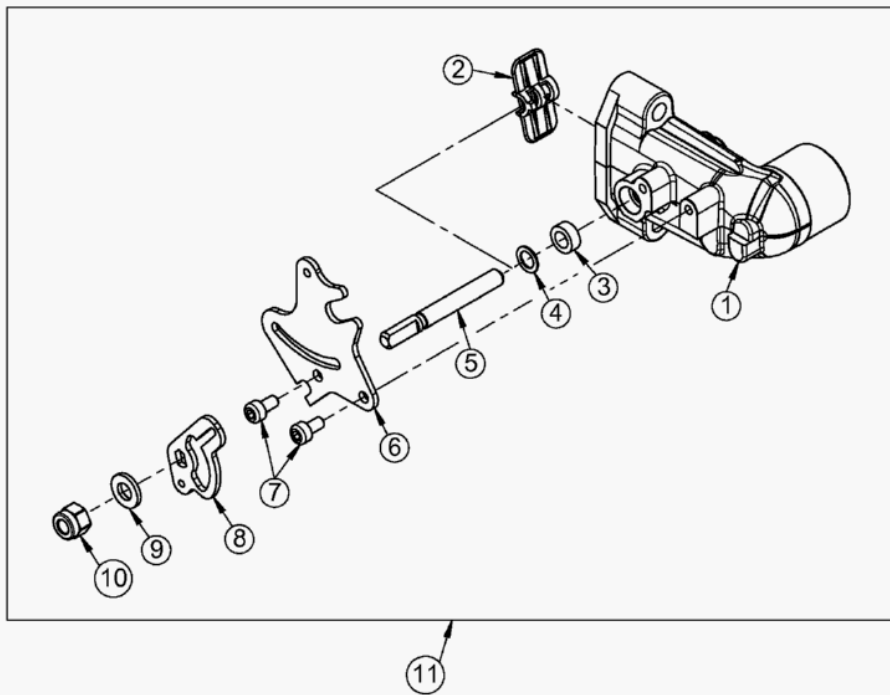
AS 65 2T and AS 65/2T cat from serial No. 019911020001 – ET documentation – Basic engine

Pos	Art-Nr.	E-Nr.	Menge	Beschreibung	Modell	Info
1	G00006050	E03114	1	O-ring		
2	G00103009	E03349	2	Cylinder base gasket (2 Stk.)		
3	G00109003	E03366	1	Exhaust gasket		
4	G00105038	E03487	1	Insulating plate		
5	G00180003	E03683	1	Seal set 6 hp motor		
6	G07858004	E04236	1	Shaft seal ring		
7	G00041001	E04717	1	Grease for gears (300 ml)		
8	G00680058	E11918	1	Bare engine		



AS 53 2T 4WD RB and AS 53 B6/RB cat from serial No. 020911030021 – ET documentation – Basic engine
from serial No. 020915060001

Pos	Art-Nr.	E-Nr.	Menge	Beschreibung	Modell	Info
1	G00006050	E03114	1	O-ring		
2	G00103009	E03349	1	Cylinder base gasket (2 Stk.)		
3	G00109003	E03366	1	Exhaust gasket		
4	G00105038	E03487	1	Insulating plate		
5	G00180003	E03683	1	Seal set 6 hp motor		
6	G07858004	E04236	1	Shaft seal ring		
7	G00041001	E04717	1	Grease for gears (300 ml)		
9	G00680086	G00680086	1	Bare engine		

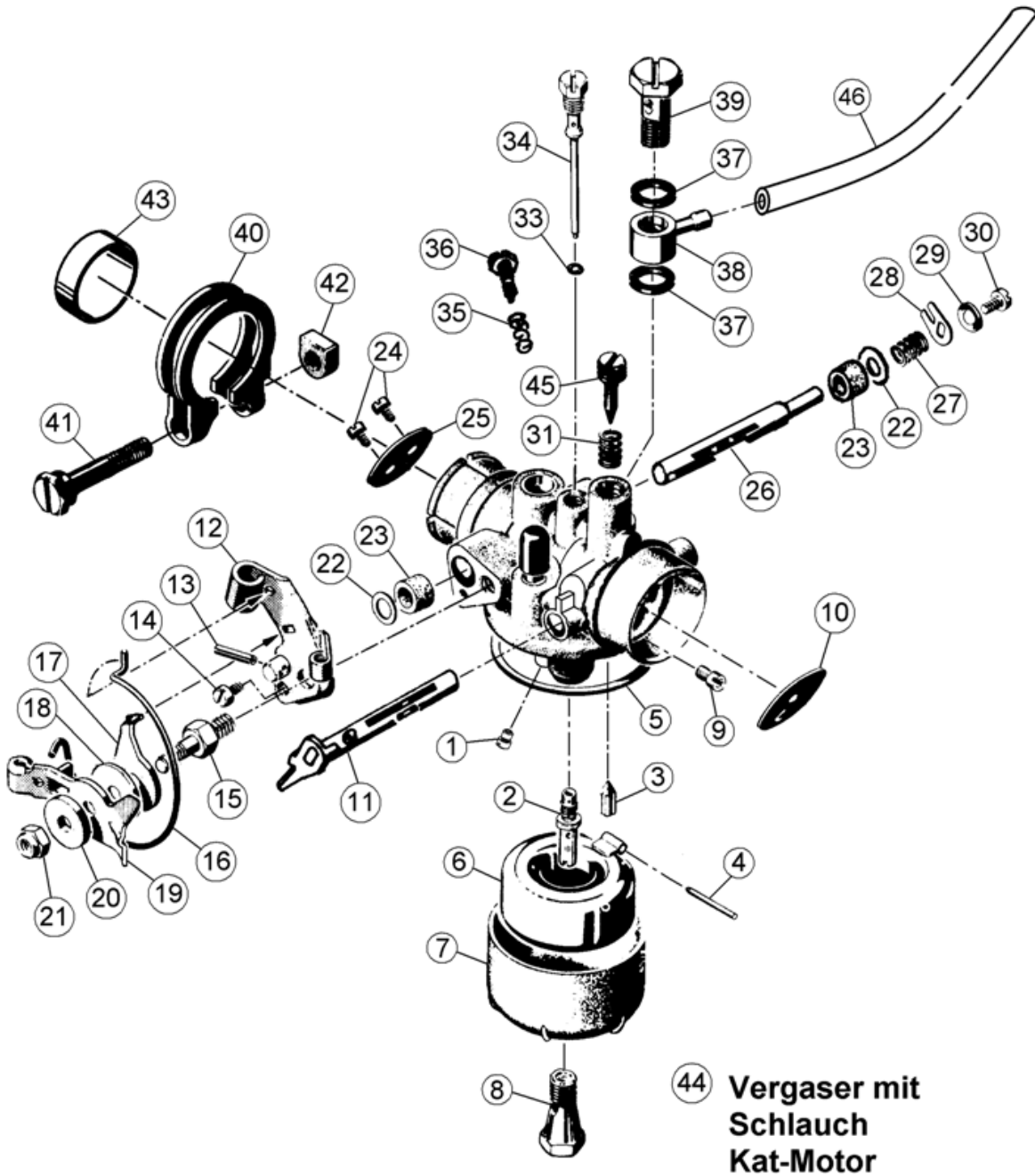


Ansaugstutzen mit Sperrklappe

ab 03.2011

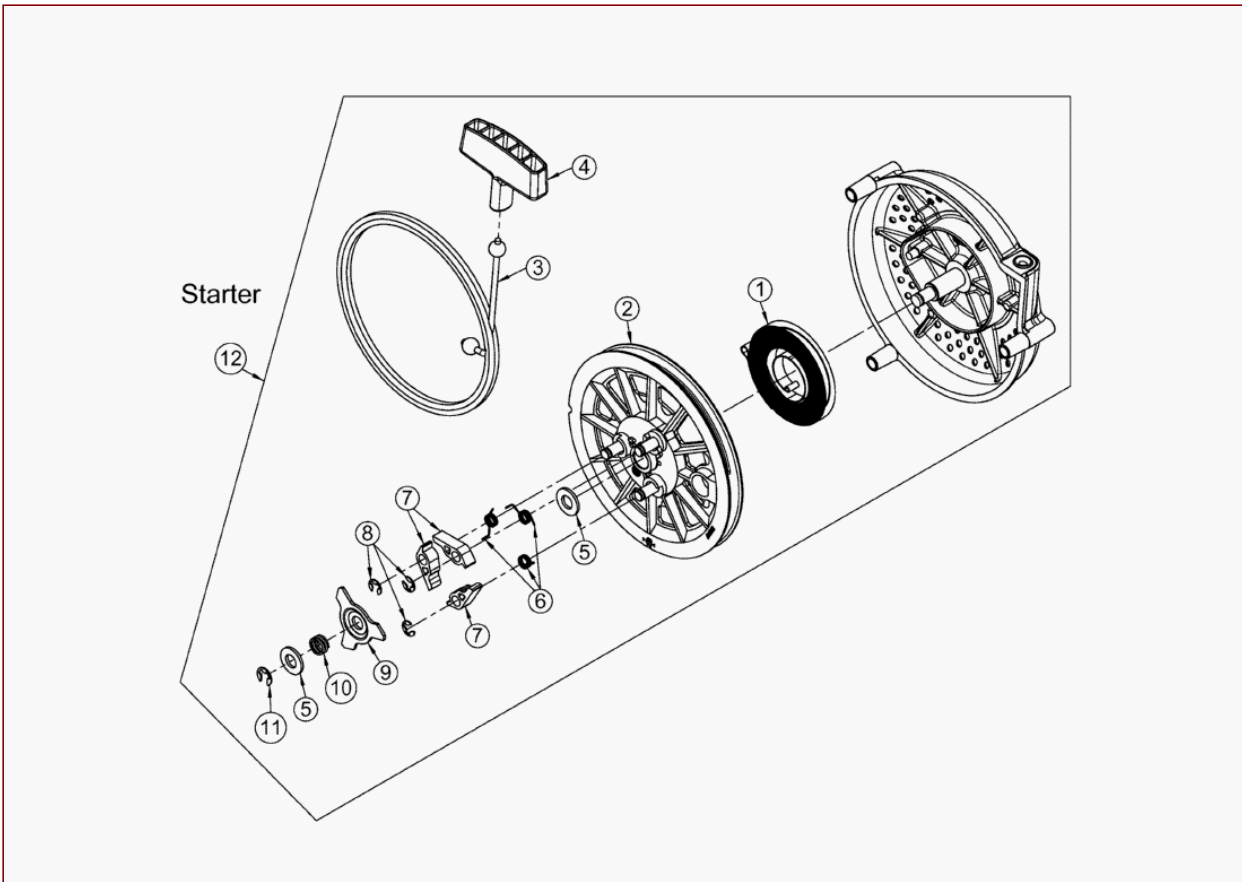
AS 45 B4-Kat from serial No. 021011040001 – ET documentation – Suction nozzle with shut-off flap

Pos	Art-Nr.	E-Nr.	Menge	Beschreibung	Modell	Info
1	G00105066	E10583	1	Intake manifold		
2	G00105071	E10587	1	Shut-off panel		
3	G00150031	E02776	10	Sealing sleeve (10 Stk.)		
4	G00150077	E03475	10	Disc (10 Stk.)		
5	G00105067	E10584	1	panel shaft		
6	G00105084	E11812	1	Bearing plate		
7	G07833036	E10802	10	Hexagon socket head cap screw (10 Stk.)		
8	G00105070	E10586	1	panel lever		
9	G07809006	E01940	10	Disc (10 Stk.)		
10	G07846008	E03829	10	Self-locking hex nut (10 Stk.)		
11	G00105083	E11783	1	Intake manifold with shut-off panel		



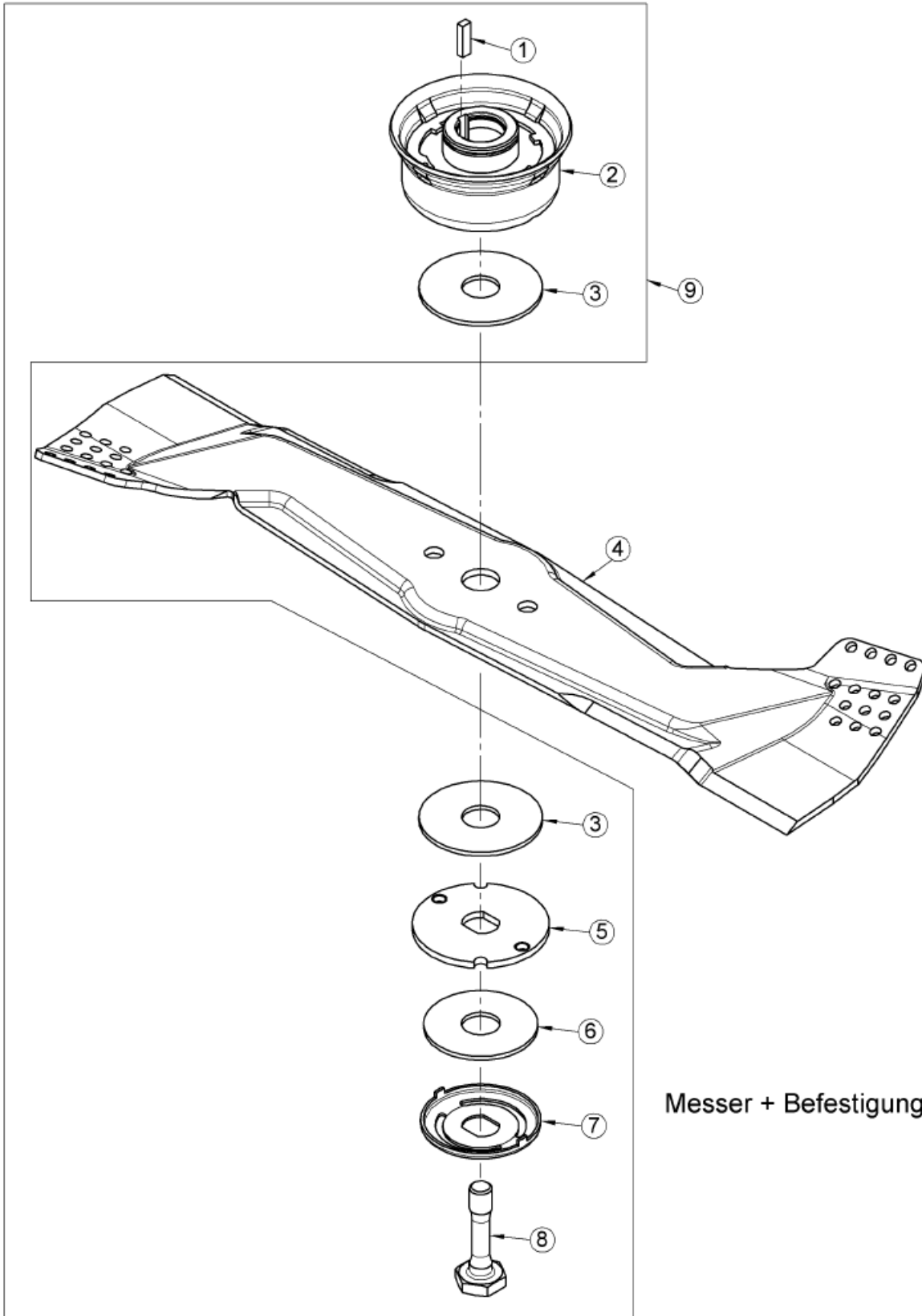
AS 45 B4-Kat from serial No. 021008020001 – ET documentation – Carburettor cat-motor

Pos	Art-Nr.	E-Nr.	Menge	Beschreibung	Modell	Info
1	G00150131	E10851	1	Main nozzle 79		
2	G00150132	E10852	1	Mixing tube		
3	G00150089	E04784	1	Flood needle		
4	G00350014	E01203	1	Pin (10 Stk.)		
5	G00350015	E01206	1	Gasket (2 Stk.)		
6	G00250025	E05496	1	Floater		
7	G00150016	E02760	1	Float cap		
8	G00150133	E10853	1	Nozzle body		
9	G00750019	E01205	1	Air correction jet 70 series		
10	G00150060	E03398	1	Choke		
11	G00150059	E03397	1	Starter axle with lever right		
12	G00150025	E02770	1	Arm left		
13	G00150026	E02771	1	Feather key (10 Stk.)		
14	G00150024	E02769	1	Cylinder screw (10 Stk.)		
15	G00150023	E02768	1	Stud (2 Stk.)		
16	G00150022	E02767	1	Hairpin spring (2 Stk.)		
17	G00150075	E03473	1	Washer disc (3 Stk.)		
18	G00150020	E02765	1	Brake disc (10 Stk.)		
19	G00150074	E03472	1	Hand lever		
20	G00150018	E02763	1	Disc (10 Stk.)		
21	G07846002	E01932	1	Self-locking hex nut (5 Stk.)		
22	G00150077	E03475	2	Disc (10 Stk.)		
23	G00150031	E02776	2	Sealing sleeve (10 Stk.)		
24	G00150067	E03464	2	Raised countersunk head screw (5 Stk.)		
25	G00150062	E03400	1	Throttle valve		
26	G00150061	E03399	1	Throttle shaft		
27	G00150083	E04501	1	Spring (10 Stk.)		
28	G00150084	E04502	1	Throttle lever (3 Stk.)		
29	G00150043	E02788	1	Waved washer (10 Stk.)		
30	G00150044	E02789	1	Raised head screw (10 Stk.)		
31	G00150069	E03466	1	Spring (2 Stk.)		
33	G00150082	E04223	1	Gasket (10 Stk.)		
34	G00150134	E10854	1	Idle nozzle 45		
35	G00150072	E03469	1	Spring (2 Stk.)		
36	G00150073	E03470	1	Adjusting screw		
37	G00750023	E01210	2	Gasket (10 Stk.)		
38	G00950022	E02506	1	Hose swivel joint		
39	G00150006	E01248	1	Screw		
40	G00150068	E03465	1	Clamping ring		
41	G00150034	E02779	1	Clamping screw		
42	G00150036	E02781	1	Nut (5 Stk.)		
43	G00150090	E04932	1	Insulating bush		
44	G00605026	E10797	1	Carburetor with hose cat. engine		
45	G00150137	E10915	1	Air adjust screw		
46	G00150085	E04585	1	Fuel hose 1 metre		



AS 45 B4-Kat from serial No. 021008020001 – ET documentation – Starter

Pos	Art-Nr.	E-Nr.	Menge	Beschreibung	Modell	Info
1	G00111039	E04201	1	Return spring		
2	G00111062	E10737	1	Cable pulley		
3	G00111043	E04457	1	Starter rope Ø 4		
4	G00111020	E01186	1	Handle		
5	G07809008	E03668	5	Disc (5 Stk.)		
6	G00003017	E04204	3	Claw recoil spring (3 Stk.)		
7	G00111044	E04205	3	Claw (3 Stk.)		
8	G07864003	E03137	20	Lock washer (20 Stk.)		
9	G00111053	E05359	1	Cam		
10	G00001057	E04206	1	Pressure spring		
11	G07864005	E03970	20	Lock washer (20 Stk.)		
12	G00180086	E10820	1	Starter total + SK plate		



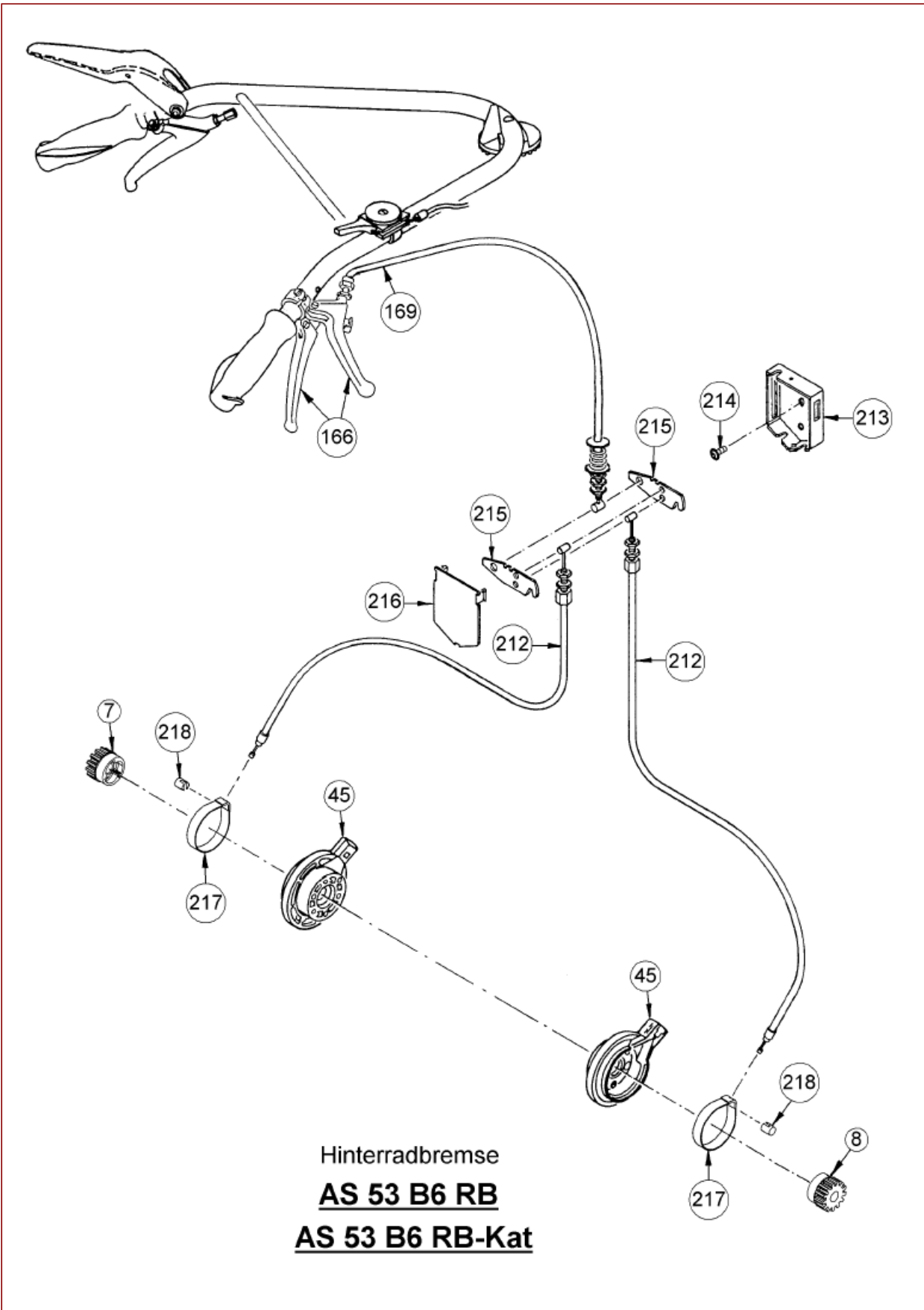
AS 53 B4-cat from serial No. 020708020001 – ET documentation – Blades + fixing

Pos	Art-Nr.	E-Nr.	Menge	Beschreibung	Modell	Info
1	G07865004	E02593	3	Feather key (3 Stk.)		
2	G04323012	E10250	1	Blade carrier		
3	G00019050	E03076	2	Slide washer (2 Stk.)		
4	G04323010	E10223	1	Blade AS 53		
5	G04623005	E07014	1	Thrust washer		
6	G00033008	E03500	1	Disc spring		
7	G06323016	E03739	1	Tab washer		
8	G06323008	E03460	1	Special screw		
9	G04380015	E10235	1	Slipper clutch without blade		

AS 53 2T 4WD RB and AS 53 B6/RB cat from serial No. 020911030021 – ET documentation – Steering strut

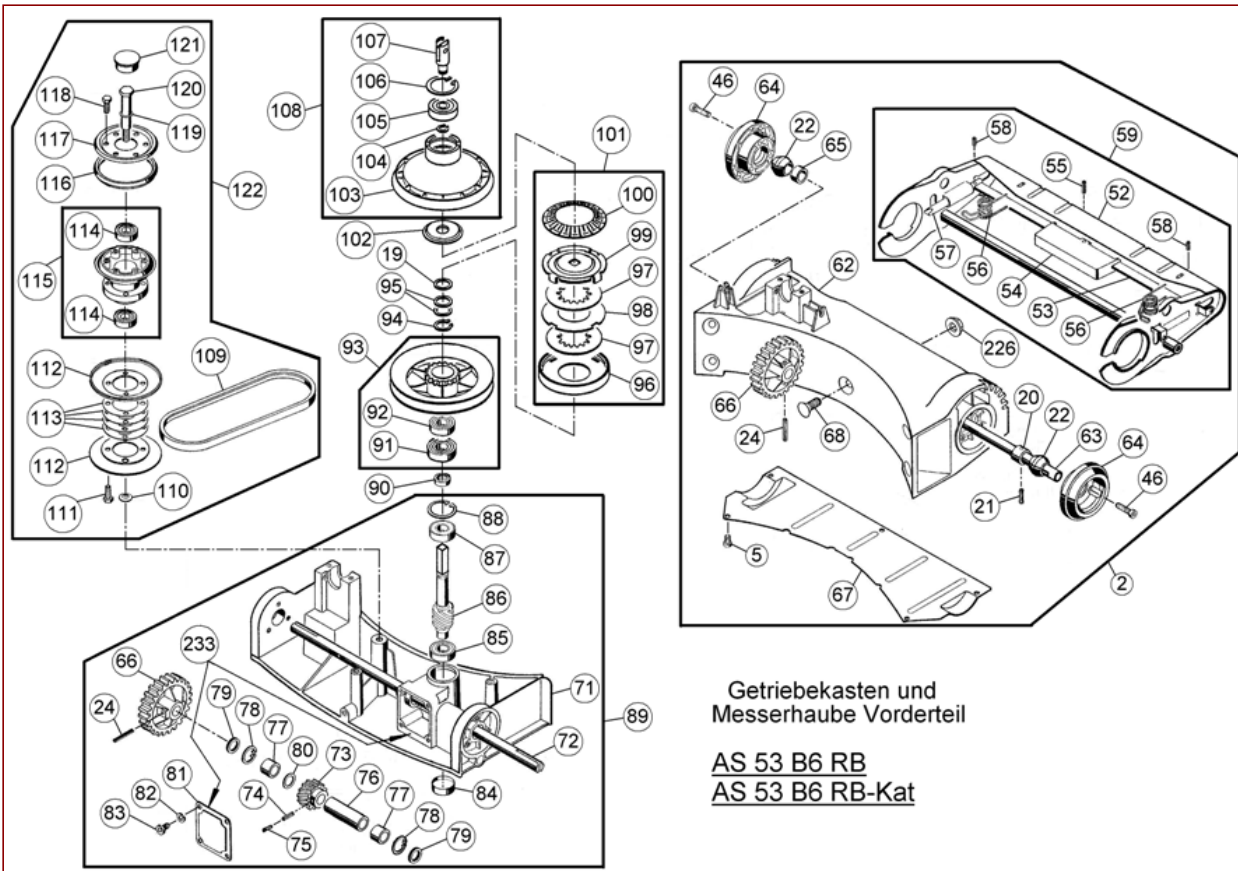
Pos	Art-Nr.	E-Nr.	Menge	Beschreibung	Modell	Info
40	G07918001	E07269	2	Self-locking hex nut (6 Stk.)		
42	G07838028	E03938	2	Hexagon screw (10 Stk.)		
48	G07846008	E03829	1	Self-locking hex nut (10 Stk.)		
51	G00007042	E06037	4	Selflocking nut with serrated bearing (3		
158	G06122138	E06017	1	Handlebar		
159	G00008070	E04813	2	Handlebar grip (left + right = 2 grips)		
160	G07827015	E05953	1	Mushroom head square neck bolt (2 Stk.)		
161	G06122125	E06050	1	Hand lever		
162	G00020060	E06118	1	Engine brake cable		
163	G00020146	E10406	1	Throttle cable		
164	G00680005	E04257	1	Regulating lever		
165	G00020112	E07980	1	Clutch cable forward speed		
166	G00017027	E07133	1	Lever with double articulated connection		
167	G00020113	E07981	1	Clutch cable reverse speed		
168	G00017028	E07542	1	Actuating lever		
169	G00020096	E07277	1	Brake cable (of actuation lever)		
170	G07886001	E04476	1	Bolt with head		
171	G00027001	E04567	1	Shaft locking clip		
172	G07820004	E10120	1	Eye bolt		
173	G07322010	E10119	1	Eccentric lever with eyebolt		
174	G00033005	E04568	1	Disc spring		
175	G07322014	E06120	1	Upper strut total		
176	G00029009	E06141	2	Lamella plugs (2 Stk.)		
177	G00020061	E06119	1	Vario cable		
178	G04322050	E05783	1	Adjusting disc		
179	G04322055	E05784	1	Adjusting lever		
180	G07809010	E03592	1	Disc (10 Stk.)		
181	G07856006	E03319	2	Disc spring (10 Stk.)		
182	G00007044	E06130	2	Hex nut		
183	G07809004	E01905	7	Disc (20 Stk.)		
184	G07846001	E01912	7	Self-locking hex nut (10 Stk.)		
185	G00026020	E06122	1	Concertina hose		
186	G00026032	E08247	1	Concertina hose		
187	G04434002	E07538	1	Fixing bolts		
188	G00019051	E05246	1	Sealing disc (5 Stk.)		
189	G00007033	E05247	1	Hexagon cap nut		
190	G06306007	E04783	1	Tank cap total		
191	G00006032	E02412	1	O-ring (2 Stk.)		
192	G07847017	E04350	1	Supporting disc (5 Stk.)		
193	G06380058	E01048	1	Fuel valve + O-ring + support disc		
194	G06306001	E03690	1	Fuel tank total		
195	G00010084	E03710	1	Disc (10 Stk.)		
197	G04322096	E03728	1	Tank strut		
198	G06122072	E04943	1	Handle holder		
199	G07890012	E05424	2	Flanged self-tapping screw (3 Stk.)		
200	G07837018	E03905	2	Hexagon screw (3 Stk.)		
201	G04322097	E04801	1	Locking bolt		
202	G00002016	E04798	2	Draw spring		
203	G04322128	E10821	2	Lower bar		
204	G04322100	E06121	2	Support of lower bar		
205	G00009108	E08177	2	Hexagon screw with serration (3 Stk.)		
206	G07879002	E04389	2	Countersunk screw with hexagon socket (5		
207	G00005033	E05629	2	Cable holder		
208	G00026004	E04391	3	Cable tape (2 Stk.)		
209	G04320065	E04378	2	Handling device for handle bar		
210	G07827004	E04379	4	Mushroom head square neck bolt (5 Stk.)		
227	G07890011	E05423	1	Flanged self-tapping screw (3 Stk.)		
230	G00150085	E04585	1	Fuel hose 1 metre		

231	G00023004	E12374	1	Filter		
232	G00041019	E04719	1	LOCTITE 222 (50 ml)		



AS 53 B6/RB cat from serial No. 020908020001 – ET documentation – Rear wheel brake

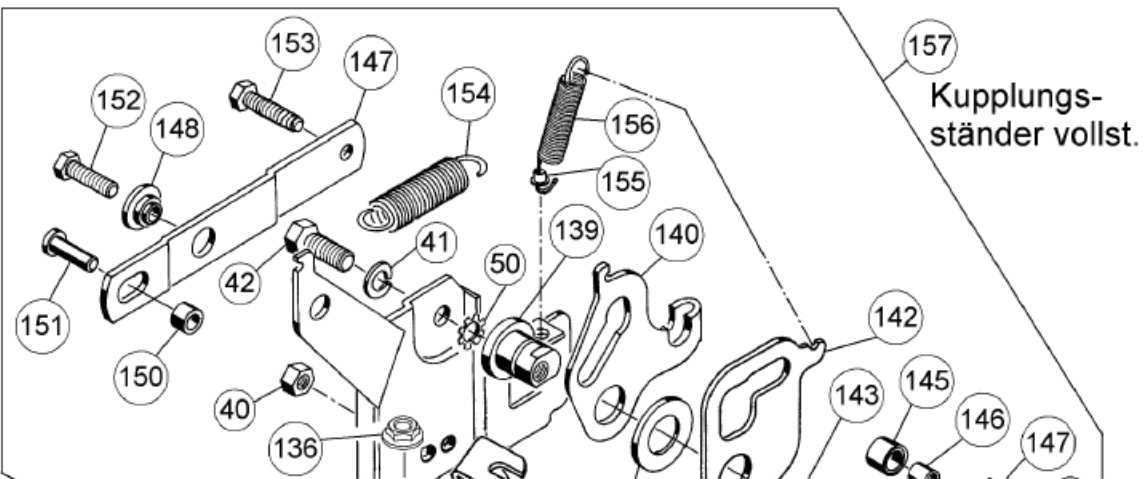
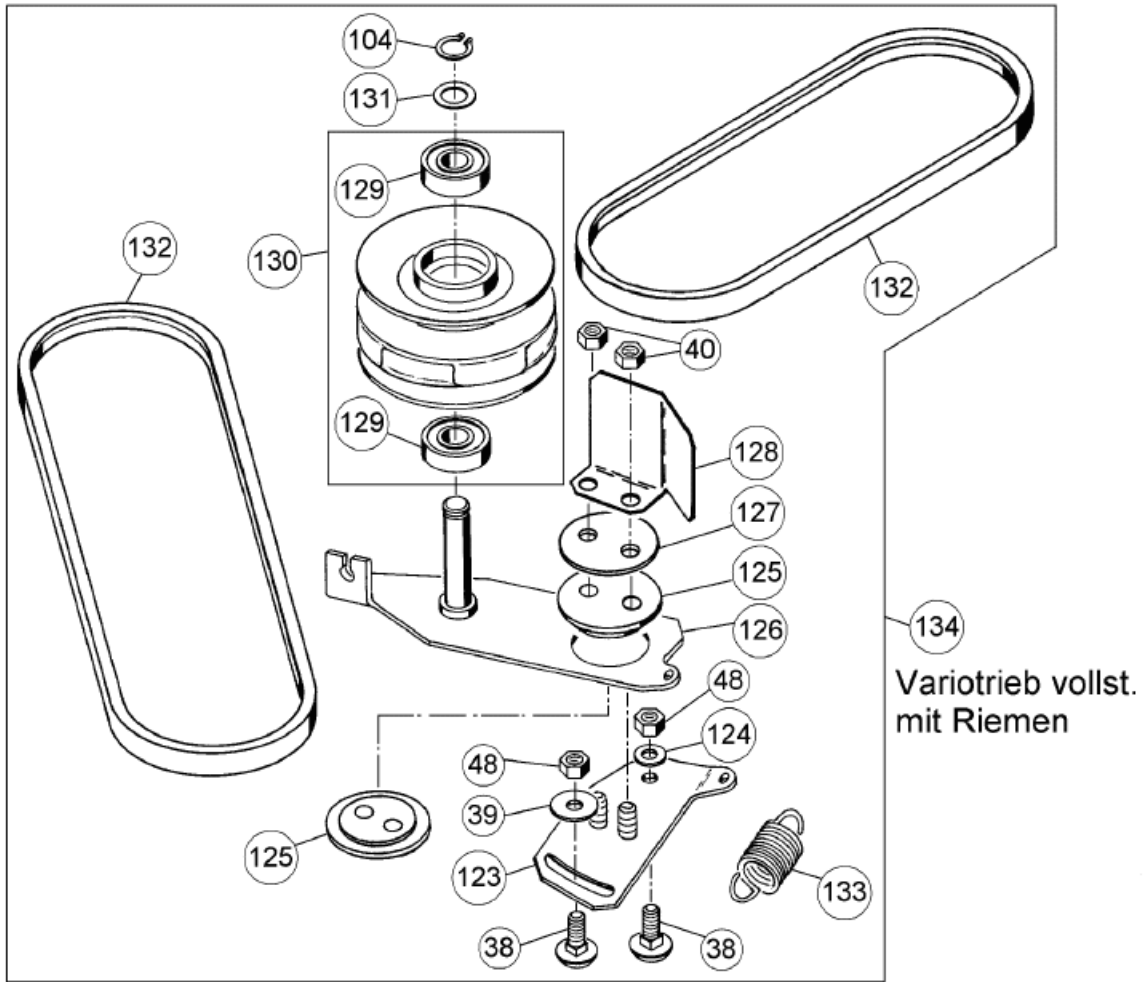
Pos	Art-Nr.	E-Nr.	Menge	Beschreibung	Modell	Info
7	G06125008	E03124	1	Pinion left 13 teeth		
8	G06125007	E03123	1	Pinion right 13 teeth		
45	G04320076	E07250	1	Clamping collar		
166	G00017027	E07133	1	Lever with double articulated connection		
169	G00020096	E07277	1	Brake cable (of actuation lever)		
212	G00020097	E07278	1	Brake cable (of brake band)		
213	G06334044	E05442	1	Brake distributor housing		
214	G00009081	E06733	4	Raised-head shouldered screw (4 Stk.)		
215	G06334030	E05443	1	Brake lever		
216	G06334032	E05447	1	Brake distributor cover		
217	G06334035	E05448	1	Brake band		
218	G00017020	E05449	1	Cross nipple		



AS 53 B6/RB cat from serial No. 020908020001 – ET documentation – Drive

Pos	Art-Nr.	E-Nr.	Menge	Beschreibung	Modell	Info
2	G04320054	E05274	1	Blade hood front part total		
5	G07890003	E04576	5	Flanged self-tapping screw (3 Stk.)		
19	G07847006	E02119	1	Shim (5 Stk.)		
20	G04320015	E04298	1	Spacer tube		
21	G07853017	E04299	1	Spring pin (10 Stk.)		
22	G07855001	E03118	2	Spherical bearing		
24	G07853001	E01965	2	Spring pin (20 Stk.)		
46	G07878008	E04308	6	Raised cross-head screw with Torx insid		
52	G04320078	E07252	1	Handle bar total		
53	G04320021	E04301	1	Bolt strip		
54	G04320022	E04302	1	Thrust piece		
55	G07853019	E04306	1	Spring pin (20 Stk.)		
56	G00003016	E04304	2	Leg spring (2 Stk.)		
57	G04320023	E04303	2	Locking bolt		
58	G07853018	E04305	2	Spring pin (20 Stk.)		
59	G04320077	E07251	1	Wheel adjustment total		
62	G04320011	E04294	1	Blade hood front part		
63	G04320013	E04295	1	Drive shaft front		
64	G04320025	E04307	2	Clamping collar		
65	G04320014	E04297	1	Spacer tube		
66	G04325056	E04296	2	Spur gear		
67	G04320026	E04309	1	Cover		
68	G07828001	E04311	5	Countersunk screw with nib (2 Stk.)		
71	G04330002	E04313	1	Transmission case		
72	G04330005	E04316	1	Drive shaft rear		
73	G04330007	E04321	1	Worm wheel		
74	G07853020	E04322	1	Spring pin (10 Stk.)		
75	G07853027	E05362	1	Spring pin (20 Stk.)		
76	G04330006	E04320	1	Spacer tube		
77	G00028004	E04319	2	Bearing bush		
78	G00038005	E04318	2	Circlip (10 Stk.)		
79	G00037009	E04317	2	Shaft seal ring		
80	G07847009	E03112	1	Shim (10 Stk.)		
81	G04330008	E04323	1	Transmission cover		
82	G07811008	E01939	4	Spring washer (10 Stk.)		
83	G07838017	E03262	4	Hexagon screw (10 Stk.)		
84	G07819001	E04314	1	Cover		
85	G07830017	E04683	1	Deep groove ball bearing		
86	G04330004	E04315	1	Worm		
87	G07830010	E02666	1	Deep groove ball bearing		
88	G07823001	E01811	1	Circlip for drilled hole (2 Stk.)		
89	G04330001	E04312	1	Transmission case complete		
90	G04325007	E04325	1	Spacer tube		
91	G07830036	E07951	1	Deep groove ball bearing		
92	G07830003	E02104	1	Deep groove ball bearing		
93	G04325087	E05414	1	Clutch pulley total		
94	G07822007	E04326	1	Circlip for shaft (20 Stk.)		
95	G07847016	E04253	2	Shim (5 Stk.)		
96	G04325091	E05407	1	Clutch basket		
97	G04325093	E05408	2	Inner lamella		
98	G04325094	E05409	1	Outer lamellas		
99	G04325096	E05410	1	Pressure plate		
100	G04325099	E05412	1	Contact spring		
101	G04325090	E05406	1	Clutch basket total		
102	G04325126	E06573	1	Pressure plate		
103	G04325103	E05417	1	Clutch cage		
104	G07822002	E02650	1	Circlip for shaft (5 Stk.)		
105	G07830012	E04329	1	Deep groove ball bearing		

106	G07823011	E04330	1	Circlip for drilled hole (5 Stk.)		
107	G04325014	E04328	1	Hook-in fork		
108	G04325102	E05416	1	Clutch cage total		
109	G07857008	E04288	1	V-belt		
110	G07856010	E04337	1	Disc spring (5 Stk.)		
111	G07890005	E04986	4	Flanged self-tapping screw (3 Stk.)		
112	G04425004	E04286	2	Belt pulley half		
113	G04425005	E04287	4	Compensating spacer (4 Stk.)		
114	G07830013	E04331	2	Deep groove ball bearing		
115	G04425002	E04290	1	Friction ring carrier with ball bearing		
116	G04425006	E04332	1	Friction ring		
117	G04425007	E04333	1	Clamping disc		
118	G07890004	E05828	6	Flanged self-tapping screw (3 Stk.)		
119	G07847010	E03113	1	Shim (10 Stk.)		
120	G04425008	E04334	1	Axle screw		
121	G00029003	E04335	1	Stopper (5 Stk.)		
122	G04425000	E04285	1	Friction ring carrier total + belt		
226	G00007051	E07668	5	Locknut (2 Stk.)		
233	G00041003	E04718	1	LOCTITE 572 (50 ml)		



AS 53 B6/RB cat from serial No. 020908020001 – ET documentation – Belt + coupling stand

Pos	Art-Nr.	E-Nr.	Menge	Beschreibung	Modell	Info
38	G07827003	E04262	5	Mushroom head square neck bolt (5 Stk.)		
39	G07880004	E03914	20	Disc (20 Stk.)		
40	G07918001	E07269	6	Self-locking hex nut (6 Stk.)		
41	G07811005	E01904	20	Spring washer (20 Stk.)		
42	G07838028	E03938	10	Hexagon screw (10 Stk.)		
48	G07846008	E03829	10	Self-locking hex nut (10 Stk.)		
50	G07862012	E04352	20	Tooth lock washer (20 Stk.)		
104	G07822002	E02650	5	Circlip for shaft (5 Stk.)		
123	G04325035	E04280	1	Adjusting plate		
124	G07809006	E01940	10	Disc (10 Stk.)		
125	G04325105	E05457	3	Bearing washer (3 Stk.)		
126	G04325032	E04339	1	Swivel lever total		
127	G04325106	E05515	1	Thrust washer		
128	G04325037	E04341	1	Belt protection		
129	G07830014	E04345	1	Deep groove ball bearing		
130	G04325038	E04344	1	Vario disc with ball bearing		
131	G07847008	E02649	5	Supporting disc (5 Stk.)		
132	G07857007	E04283	1	V-belt		
133	G00002011	E04343	1	Draw spring		
134	G04325030	E04338	1	Vario drive total		
135	G04325129	E06763	1	Clutch carrier		
136	G00007041	E05975	3	Selflocking nut with serrated bearing (3		
137	G00130048	E06142	1	Bowden cable support		
138	G07838013	E02949	10	Hexagon screw (10 Stk.)		
139	G04325019	E04291	1	Eccentric bearing		
140	G04325021	E04348	1	Cam lever for reverse speed		
141	G04325022	E04349	10	Slide washer (10 Stk.)		
142	G04325118	E06112	1	Cam lever for forward speed		
143	G07847017	E04350	5	Supporting disc (5 Stk.)		
144	G07822008	E04351	20	Circlip for shaft (20 Stk.)		
145	G04325024	E04354	1	Curve roller total		
146	G04325026	E04355	1	Spacer tube		
147	G04325130	E06764	1	Tilt lever		
148	G04325027	E04356	1	Bearing bush		
149	G00027005	E05226	5	Shaft locking clip (5 Stk.)		
150	G04325028	E04359	1	Spacer tube		
151	G07848003	E03962	4	Bolt, small head (4 Stk.)		
152	G07838019	E03886	10	Hexagon screw (10 Stk.)		
153	G07838027	E03933	10	Hexagon screw (10 Stk.)		
154	G00002012	E04358	1	Draw spring		
155	G07898009	E07540	1	Tubular rivet		
156	G00002054	E07539	1	Replaced by E05647		
38	G00002028	E05647	1	Draw spring		
157	G04380012	E07541	1	Clutch carrier total		



AS 53 B6 RB from serial No. 014200303001 – ET documentation – Instruction plate - set

Pos	Art-Nr.	E-Nr.	Menge	Beschreibung	Modell	Info
1	G04280014	E12733	1	Instruction plate - set AS 45 und AS 53		