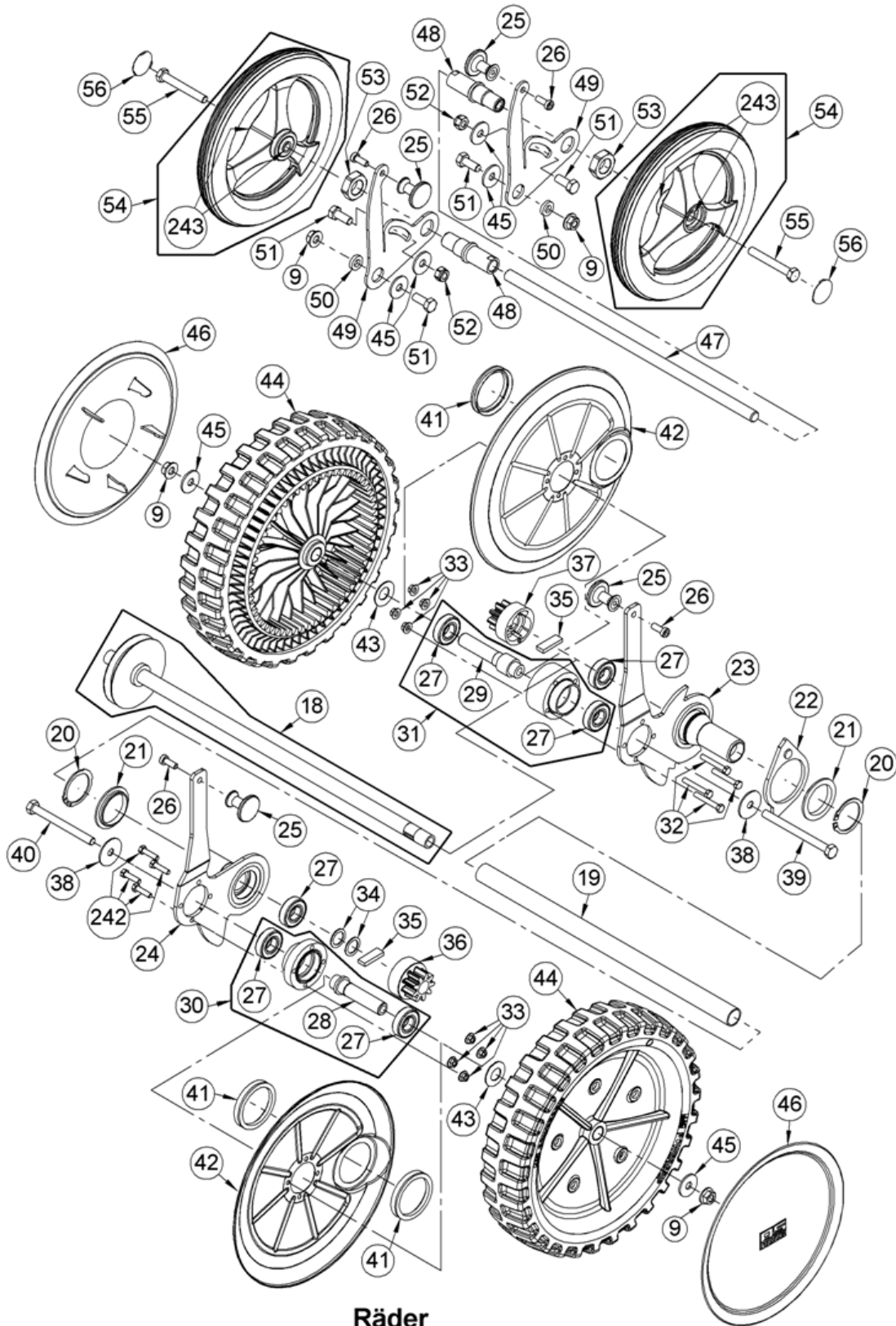


Messerhaube und Rohrrahmen
AS 531

AS 531/2T MK-Kat VarioPro – ET documentation – Blade cover

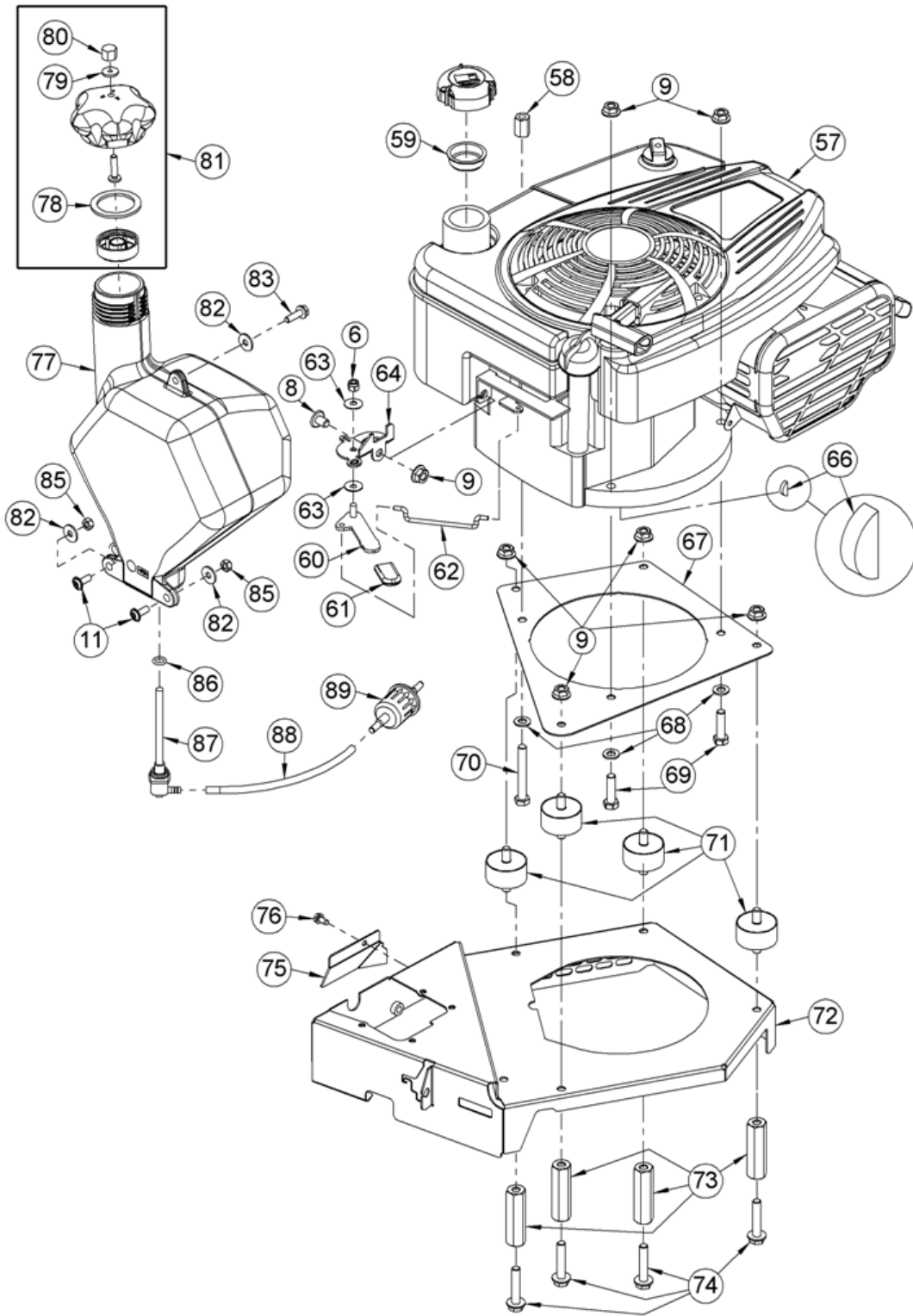
Pos	Art-Nr.	E-Nr.	Menge	Beschreibung	Modell	Info
1	G53120002	E12292	1	Blade hood		
2	G04826018	E12402	1	Protection strip right		
3	G04826017	E12403	1	Protection strip left		
4	G04826019	E12404	1	Protection strip front		
5	G07827003	E04262	6	Mushroom head square neck bolt (5 Stk.)		
6	G07937001	E12459	6	Hex nut (10 Stk.)		
7	G53120004	E12324	1	Bottom plate		
8	G00009174	E12496	17	Dome head screw with Torx (10 Stk.)		
9	G00007042	E06037	19	Selflocking nut with serrated bearing (3		
10	G53120005	E12333	1	Ejector		
11	G00009159	E11673	2	Dome head screw with Torx (10 Stk.)		
12	G53120003	E12323	1	Hinge		
13	G00009069	E06613	2	Raised-head shouldered screw (2 Stk.)		
14	G53120011	E12380	1	Strut		
15	G00009175	E12497	2	Dome head screw with Torx (2 Stk.)		
16	G53122010	E12306	1	Bar right		
17	G53122011	E12305	1	Bar left		
114	G00007041	E05975	2	Selflocking nut with serrated bearing (3		



Räder
AS 531

AS 531 4T MK and AS 531/4T MK VarioPro – ET documentation – Wheel

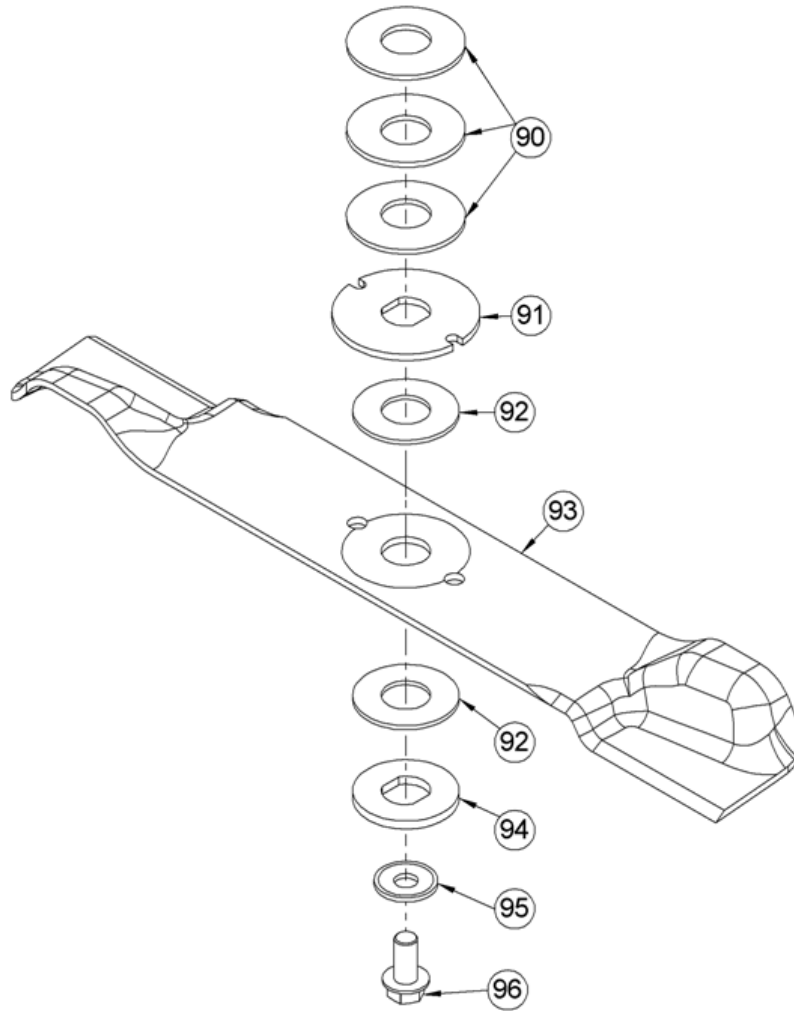
Pos	Art-Nr.	E-Nr.	Menge	Beschreibung	Modell	Info
9	G00007042	E06037	4	Selflocking nut with serrated bearing (3		
18	G53125017	E12355	1	Drive shaft total AS 531		
19	G53121009	E12342	1	Connecting tube		
20	G07822019	E10461	2	Circlip for shaft (10 Stk.)		
21	G00028048	E10433	2	Friction bearing with collar		
22	G53126006	E12368	1	Sealing disc		
23	G53121007	E12341	1	Wheel swinging arm left total		
24	G53121008	E12340	1	Wheel swinging arm right total		
25	G00008195	E12475	4	Handle M6		
26	G07910005	E12498	4	Hexagon socket head cap screw (2 Stk.)		
27	G07830048	E12499	6	Deep groove ball bearing		
28	G53121012	E12346	1	Wheel bolt right		
29	G53121013	E12345	1	Wheel bolt left		
30	G53121010	E12344	1	Bearing bracket right total		
31	G53121011	E12343	1	Bearing bracket left total		
32	G07838054	E05718	4	Hexagon screw (3 Stk.)		
33	G07932002	E12500	8	Hex nut (10 Stk.)		
34	G07847009	E03112	2	Shim (10 Stk.)		
35	G06125006	E03122	2	Tappet (4 Stk.)		
36	G06125009	E03126	1	Pinion right 9 teeth		
37	G06125010	E03125	1	Pinion left 9 teeth		
38	G00010132	E12383	2	Cover disc		
39	G07837081	E12501	1	Hexagon screw		
40	G07837079	E12115	1	Hexagon screw		
41	G00008194	E12476	3	Rot. shaft seal ring		
42	G53121014	E12347	2	Cover disc		
43	G07856006	E03319	2	Disc spring (10 Stk.)		
44	G04521015	E05269	2	Wheel complete		
45	G07880006	E03957	4	Disc (20 Stk.)		
46	G04521014	E05271	2	Wheel trim		
47	G53121015	E12348	1	Wheel axle		
48	G53121001	E12293	2	Wheel bolt ahead		
49	G53121002	E12301	2	Wing front		
50	G00024013	E06578	2	Sleeve		
51	G07838028	E03938	4	Hexagon screw (10 Stk.)		
52	G07846001	E01912	2	Self-locking hex nut (10 Stk.)		
53	G07818008	E07875	2	Hex nut		
54	G53121017	E12408	2	Wheel Ø 200		
55	G07837057	E06760	2	Hexagon screw (5 Stk.)		
56	G53121018	E12409	2	Cap for wheel Ø 200		
242	G07838045	E04873	4	Hexagon screw (5 Stk.)		
243	G51050003	E12739	4	Ball bearing (2 Stk.)		



Motor und Tank
AS 531/4T MK

AS 531 4T MK and AS 531/4T MK VarioPro – ET documentation – Motor and tank

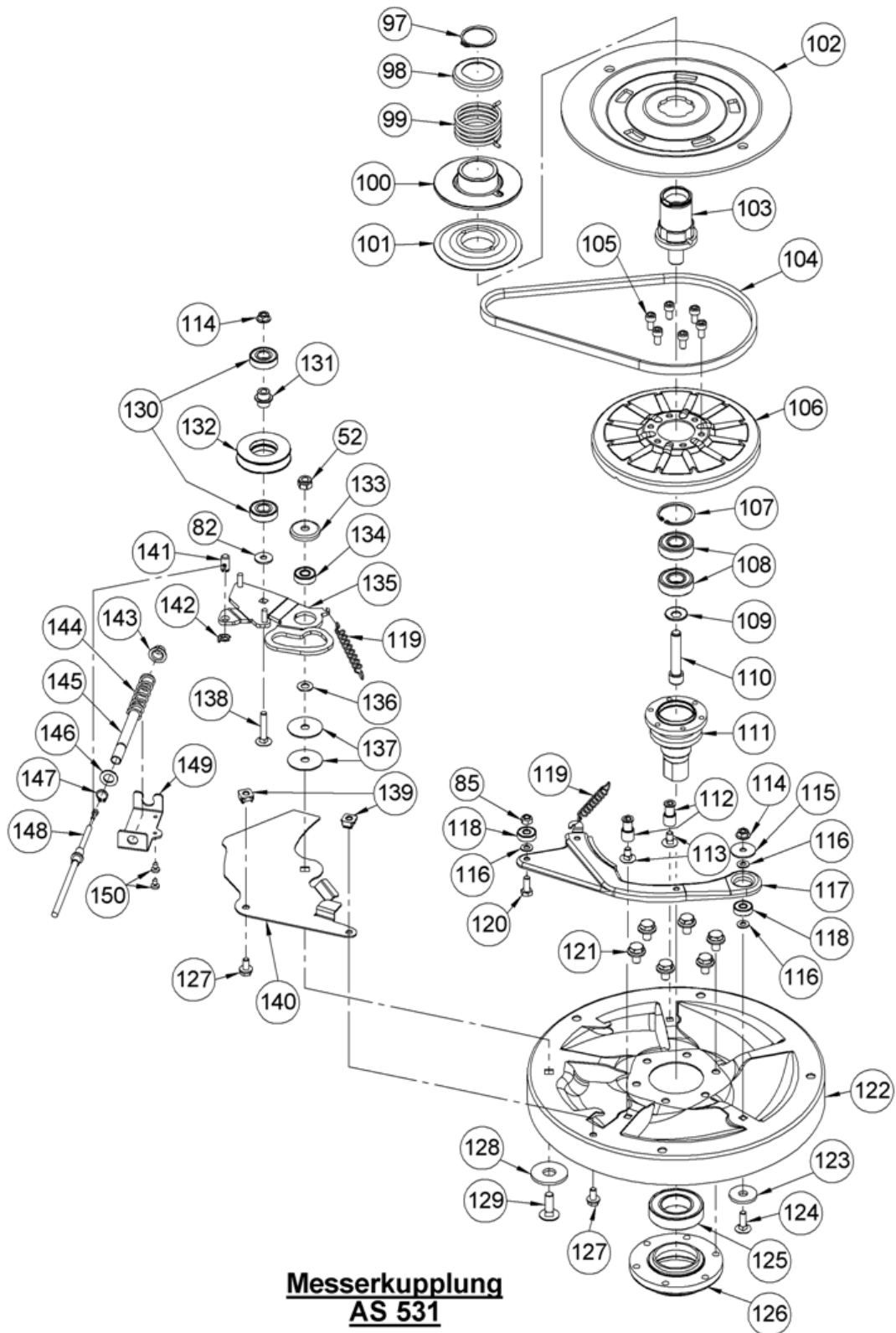
Pos	Art-Nr.	E-Nr.	Menge	Beschreibung	Modell	Info
6	G07937001	E12459	1	Hex nut (10 Stk.)		
8	G00009174	E12496	1	Dome head screw with Torx (10 Stk.)		
9	G00007042	E06037	7	Selflocking nut with serrated bearing (3		
11	G00009159	E11673	2	Dome head screw with Torx (10 Stk.)		
57	G00501029	E11752	1	Engine B&S 850 series		
58	G00007061	E10018	1	Connection nut		
59	G00029019	E10599	1	Stopper (2 Stk.)		
60	G53120013	E12483	1	Engine brake lever-4T		
61	G00029024	E10779	1	PVC cap		
62	G00005046	E12489	1	Actuation rod		
63	G00033024	E08861	2	Disc spring		
64	G53120014	E12484	1	Bosh angle		
66	G07866007	E10162	1	Curved washer		
67	G53120001	E12289	1	Adapter disc 4T		
68	G07809004	E01905	3	Disc (20 Stk.)		
69	G07838031	E03951	2	Hexagon screw (5 Stk.)		
70	G07837005	E03142	1	Hexagon screw (4 Stk.)		
71	G00008122	E10168	4	Rubber element		
72	G53120006	E12334	1	Engine mount		
73	G53120007	E12335	4	Stay pin		
74	G00009086	E06762	4	Hexagon screw		
75	G53126001	E12363	1	Access protection		
76	G07890003	E04576	1	Flanged self-tapping screw (3 Stk.)		
77	G04806001	E11922	1	Tank		
78	G00019053	E04782	1	Seal (3 Stk.)		
79	G00019051	E05246	1	Sealing disc (5 Stk.)		
80	G00007033	E05247	1	Hexagon cap nut		
81	G06306007	E04783	1	Tank cap total		
82	G07880004	E03914	1	Disc (20 Stk.)		
83	G00009074	E06365	1	Self-tapping screw (2 Stk.)		
85	G07906002	E06667	2	Self-locking hex nut (10 Stk.)		
86	G00006032	E02412	1	O-ring (2 Stk.)		
87	G00022016	E12478	1	Fuel valve with gasket		
88	G00150085	E04585	1	Fuel hose 1 metre		
89	G00023004	E12374	1	Filter		



Messer mit Befestigung
AS 531/2T MK; AS 531/4T MK

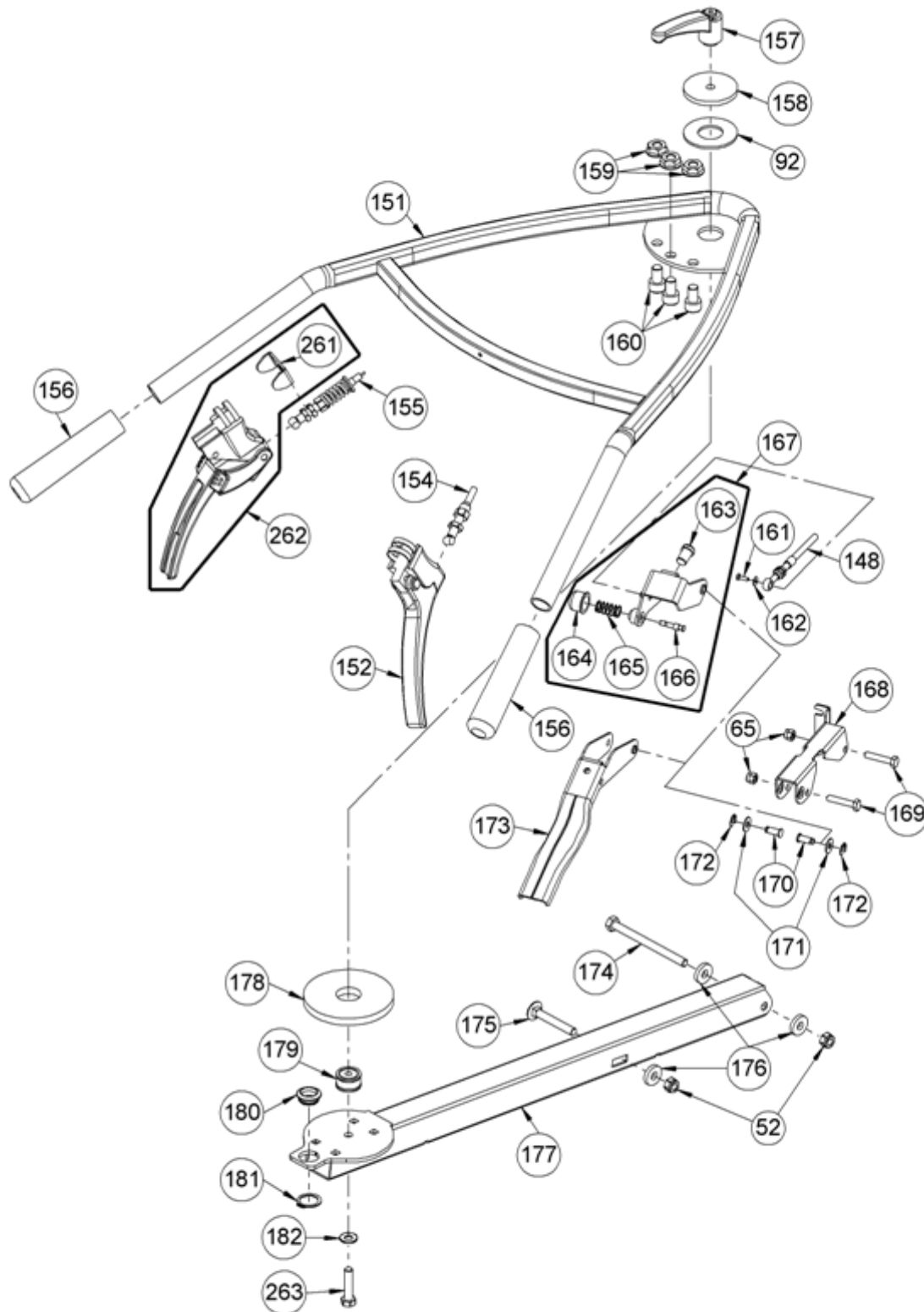
AS 531/2T MK-Kat VarioPro – ET documentation – Blade with fixing

Pos	Art-Nr.	E-Nr.	Menge	Beschreibung	Modell	Info
90	G00033015	E05365	1	Disc spring (2 Stk.)		
91	G00010118	E10122	1	Pressure plate top		
92	G00019059	E10016	2	Slide washer		
93	G04823301	E10410	1	Blade 530		
94	G00010116	E10077	1	Disc for brush carrier		
95	G00042011	E07016	1	Detent edge disc		
96	G00009097	E07718	1	Locking screw		



AS 531/2T MK-Kat VarioPro – ET documentation – Blade clutch

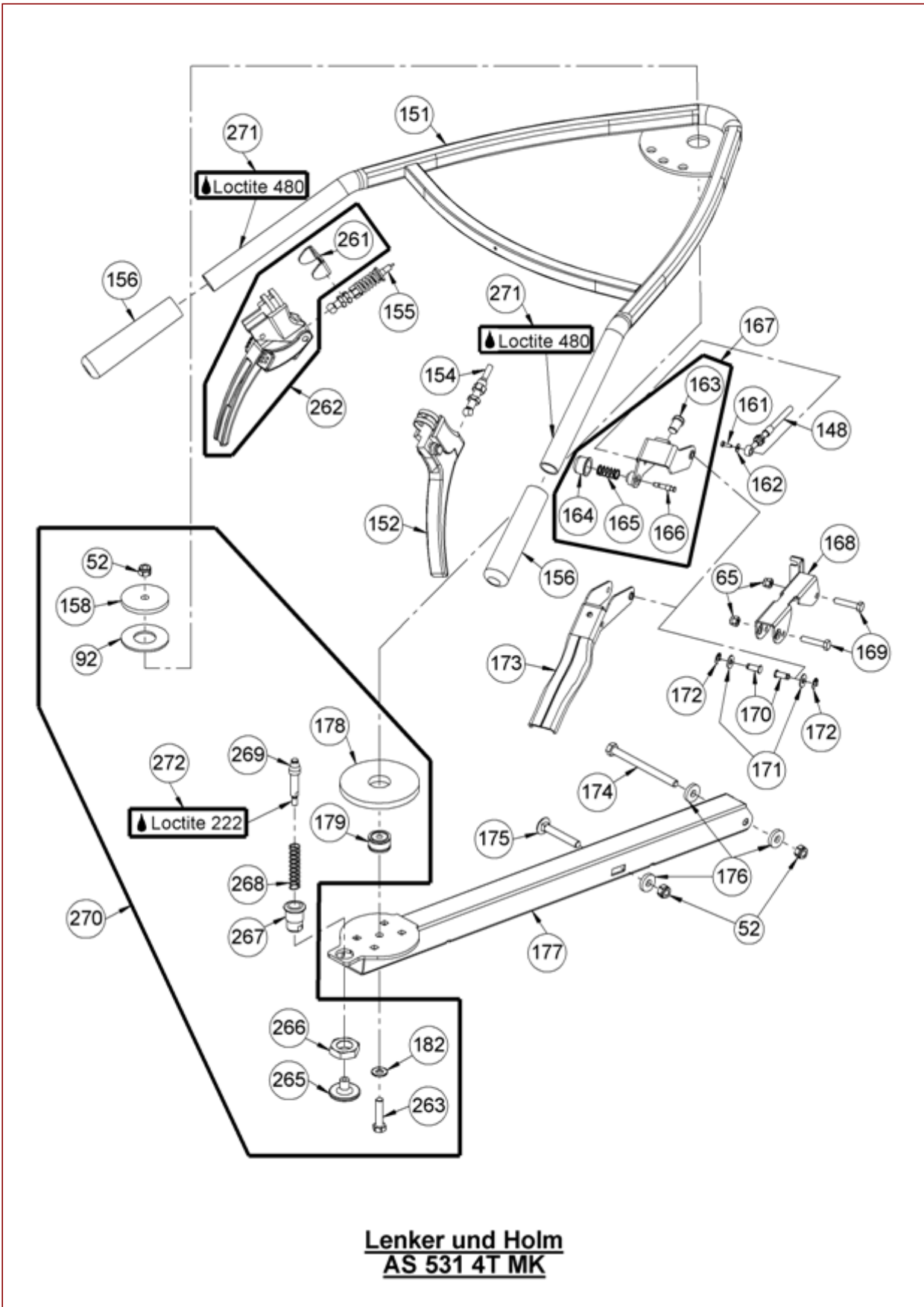
Pos	Art-Nr.	E-Nr.	Menge	Beschreibung	Modell	Info
52	G07846001	E01912	1	Self-locking hex nut (10 Stk.)		
82	G07880004	E03914	1	Disc (20 Stk.)		
85	G07906002	E06667	1	Self-locking hex nut (10 Stk.)		
97	G07822010	E06311	1	Circlip for shaft (2 Stk.)		
98	G53125011	E12362	1	Pot for spring		
99	G00001091	E12382	1	Pressure spring		
100	G53125008	E12416	1	Vario disc overhead		
101	G53125009	E12360	1	Vario disc lower		
102	G53125010	E12361	1	Flywheel		
103	G53125001	E12312	1	Engine hub		
104	G06325073	E06193	1	V-belt		
105	G07833013	E05657	6	Hexagon socket head cap screw (3 Stk.)		
106	G04825002	E10508	1	Brake drum		
107	G07823011	E04330	1	Circlip for drilled hole (5 Stk.)		
108	G07830051	E12502	1	Deep groove ball bearing		
109	G00042018	E08668	1	Detent edge disc		
110	G00009177	E12503	1	Inch screw		
111	G53123001	E12311	1	Blade clutch hub		
112	G04825019	E10509	2	Belt holder		
113	G07827008	E04991	2	Mushroom head square neck bolt (3 Stk.)		
114	G00007041	E05975	2	Selflocking nut with serrated bearing (3		
115	G00010084	E03710	1	Disc (10 Stk.)		
116	G07847051	E10483	3	Shim (10 Stk.)		
117	G04834004	E10513	1	Brake lever total		
118	G07830041	E10482	2	Deep groove ball bearing		
119	G00002028	E05647	1	Draw spring		
120	G07838013	E02949	1	Hexagon screw (10 Stk.)		
121	G00009151	E10929	6	Locking screw (2 Stk.)		
122	G04820002	E10459	1	Bearing pot		
123	G07810004	E06262	1	Disc (5 Stk.)		
124	G07827010	E05367	1	Mushroom head square neck bolt (5 Stk.)		
125	G07830049	E12504	1	Deep groove ball bearing		
126	G53120008	E12337	1	Bearing flange		
127	G00009016	E04631	2	Hexagon screw with serration (5 Stk.)		
128	G07880008	E04407	1	Disc (10 Stk.)		
129	G07827009	E05869	1	Mushroom head square neck bolt (3 Stk.)		
130	G07830050	E12505	2	Deep groove ball bearing		
131	G04825022	E10512	1	Bearing sleeve		
132	G04825021	E10511	1	Tension pulley		
133	G06822031	E08449	1	Bearing washer		
134	G07830031	E07211	1	Deep groove ball bearing		
135	G04825020	E10510	1	Blade clutch lever		
136	G07856010	E04337	1	Disc spring (5 Stk.)		
137	G00010109	E08394	2	Mudguard washer (5 Stk.)		
138	G07827012	E05559	1	Mushroom head square neck bolt (2 Stk.)		
139	G00007046	E06672	2	Box nut (2 Stk.)		
140	G04820011	E10462	1	Closing sheet		
141	G04820013	E10514	1	Cable nipple		
142	G00027022	E10515	1	Anti-folding mechanism		
143	G00028037	E08390	1	Friction bearing with collar		
144	G00001088	E10502	1	Pressure spring		
145	G04820010	E10501	1	Spring tube		
146	G07816006	E04214	1	Disc (20 Stk.)		
147	G07822002	E02650	1	Circlip for shaft (5 Stk.)		
148	G00020173	E12372	1	Blade clutch cable		
149	G04820009	E10500	1	Spring holder		
150	G07890028	E06594	1	Self-tapping screw (5 Stk.)		



Lenker und Holm
AS 531/2T MK; AS 531/4T MK

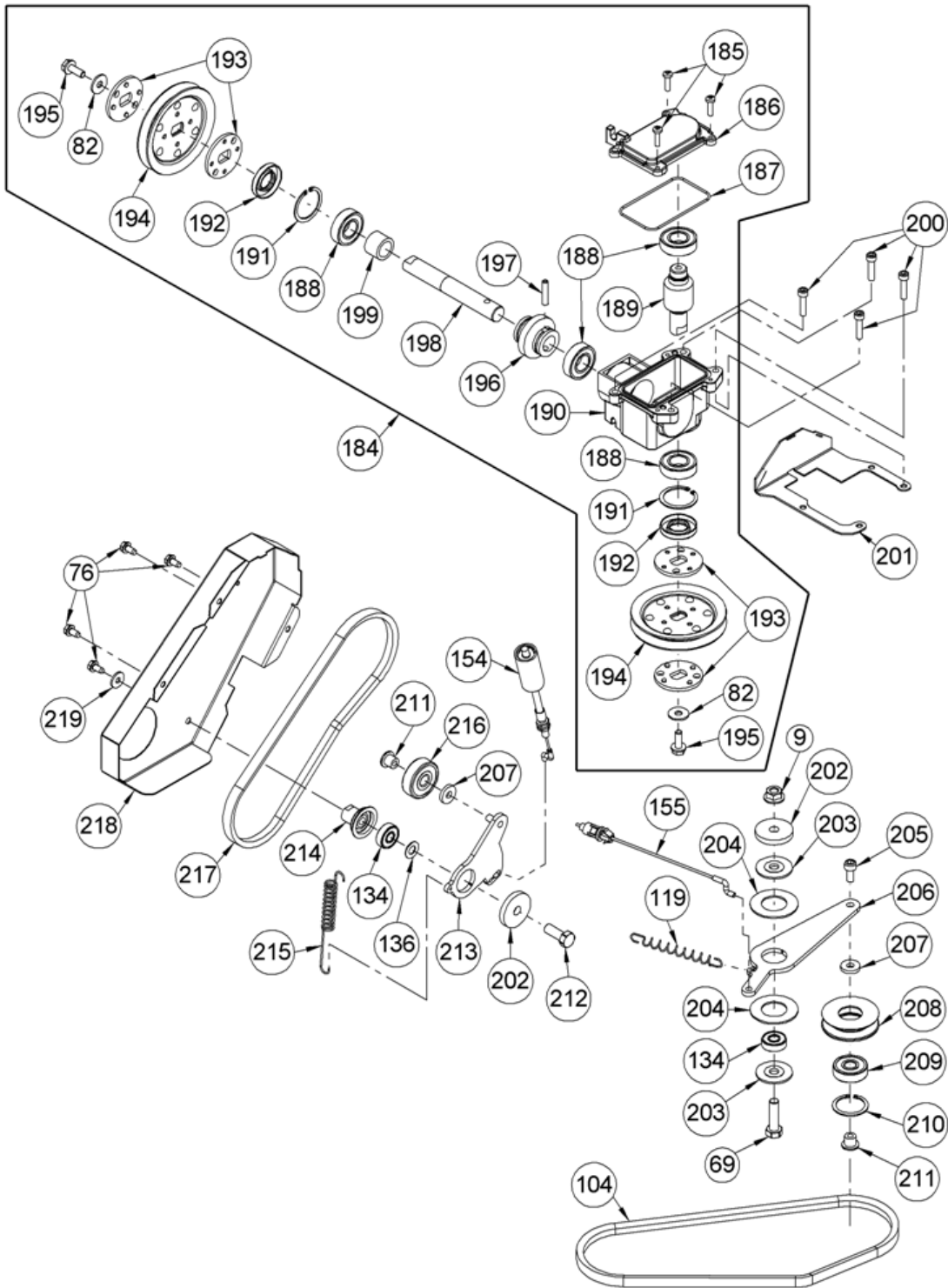
AS 531/2T MK-Kat VarioPro – ET documentation – Handlebar and tie rod

Pos	Art-Nr.	E-Nr.	Menge	Beschreibung	Modell	Info
52	G07846001	E01912	2	Self-locking hex nut (10 Stk.)		
65	G07846008	E03829	2	Self-locking hex nut (10 Stk.)		
92	G00019059	E10016	1	Slide washer		
148	G00020173	E12372	1	Blade clutch cable		
151	G53122017	E12351	1	Handlebar total		
152	G00017035	E12506	1	Lever		
154	G00020172	E12371	1	Drive cable		
155	G00020174	E12373	1	Vario cable		
156	G00008114	E08305	2	Handlebar grip (2 Stk.)		
157	G00007080	E12474	1	Replaced by G53180006		
157	G53180006	G53180006	1	Conversion kit stop bolt		
158	G00010134	E12460	1	Disc		
159	G00007051	E07668	3	Locknut (2 Stk.)		
160	G07833030	E08631	3	Hexagon socket head cap screw		
161	G07878017	E07937	1	Raised cross-head screw (5 Stk.)		
162	G07880009	E07936	1	Disc (5 Stk.)		
163	G00008125	E10371	1	Rubber buffer (2 Stk.)		
164	G06322233	E05808	1	Cap		
165	G00001069	E05810	1	Pressure spring (5 Stk.)		
166	G06322236	E05809	1	Stop bolt		
167	G53122027	E12482	1	Notch lever total		
168	G53122022	E12386	1	Counter support		
169	G07838027	E03933	2	Hexagon screw (10 Stk.)		
170	G00012027	E08451	2	Bolt for anti-folding mechanism		
171	G00010121	E10126	2	Mudguard washer (10 Stk.)		
172	G07864004	E03409	2	Lock washer (20 Stk.)		
173	G06780010	E08306	1	Hand lever with rubber buffer		
174	G07837059	E06887	1	Hexagon screw (2 Stk.)		
175	G07827011	E05785	1	Mushroom head square neck bolt (3 Stk.)		
176	G07902003	E06337	2	Disc (3 Stk.)		
177	G53122014	E12350	1	Upper strut total		
178	G00008196	E12387	1	Vibration damper		
179	G00024061	E12370	1	Sleeve		
180	G00024062	E12473	1	Sleeve		
181	G07822012	E07552	1	Circlip for shaft (2 Stk.)		
182	G00042012	E07132	1	Detent edge disc (4 Stk.)		
261	G00017037	E13152	1	Angle		
262	G53180005	E13158	1	Lever and angle		
263	G07838072	E08057	1	Hexagon screw		



AS 531 4T MK and AS 531/4T MK VarioPro – ET documentation – Handlebar and tie rod from serial No. 024515050001

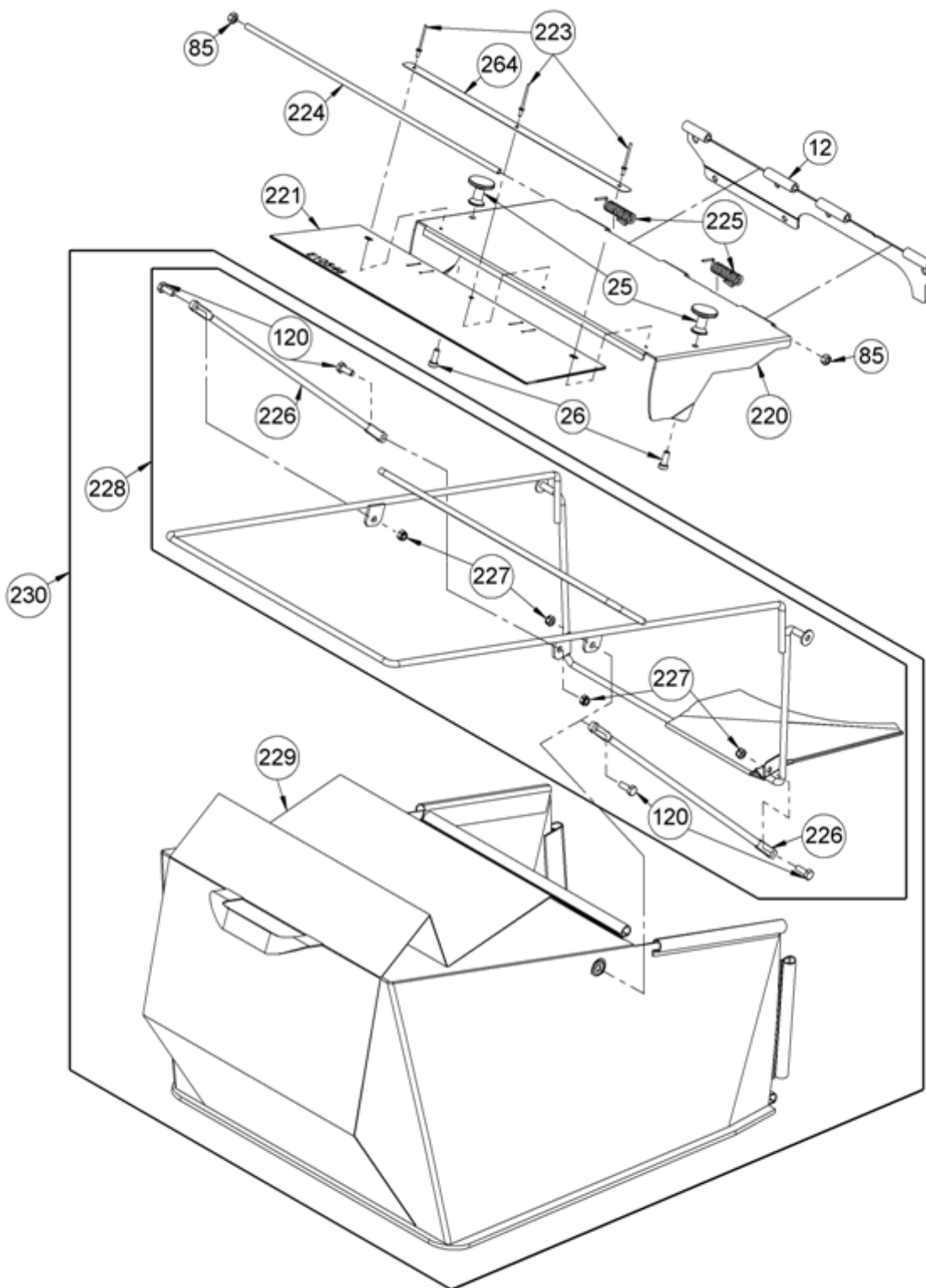
Pos	Art-Nr.	E-Nr.	Menge	Beschreibung	Modell	Info
52	G07846001	E01912	3	Self-locking hex nut (10 Stk.)		
65	G07846008	E03829	2	Self-locking hex nut (10 Stk.)		
92	G00019059	E10016	1	Slide washer		
148	G00020173	E12372	1	Blade clutch cable		
151	G53122017	E12351	1	Handlebar total		
152	G00017035	E12506	1	Lever		
154	G00020172	E12371	1	Drive cable		
155	G00020174	E12373	1	Vario cable		
156	G00008114	E08305	2	Handlebar grip (2 Stk.)		
158	G00010134	E12460	1	Disc		
161	G07878017	E07937	1	Raised cross-head screw (5 Stk.)		
162	G07880009	E07936	1	Disc (5 Stk.)		
163	G00008125	E10371	1	Rubber buffer (2 Stk.)		
164	G06322233	E05808	1	Cap		
165	G00001069	E05810	1	Pressure spring (5 Stk.)		
166	G06322236	E05809	1	Stop bolt		
167	G53122027	E12482	1	Notch lever total		
168	G53122022	E12386	1	Counter support		
169	G07838027	E03933	2	Hexagon screw (10 Stk.)		
170	G00012027	E08451	2	Bolt for anti-folding mechanism		
171	G00010121	E10126	2	Mudguard washer (10 Stk.)		
172	G07864004	E03409	2	Lock washer (20 Stk.)		
173	G06780010	E08306	1	Hand lever with rubber buffer		
174	G07837059	E06887	1	Hexagon screw (2 Stk.)		
175	G07827011	E05785	1	Mushroom head square neck bolt (3 Stk.)		
176	G07902003	E06337	2	Disc (3 Stk.)		
177	G53122014	E12350	1	Upper strut total		
178	G00008196	E12387	1	Vibration damper		
179	G00024061	E12370	1	Sleeve		
182	G00042012	E07132	1	Detent edge disc (4 Stk.)		
261	G00017037	E13152	1	Angle		
262	G53180005	E13158	1	Lever and angle		
263	G07838072	E08057	1	Hexagon screw		
265	G00008202	G00008202	1	Handle		
266	G07841007	G07841007	1	Hex nut		
267	G53122033	G53122033	1	Sleeve		
268	G00001096	G00001096	1	Pressure spring		
269	G53122034	G53122034	1	Stop bolt		
270	G53180006	G53180006	1	Conversion kit stop bolt		
271	G00041061	G00041061	1	Loctite 480 (100Gr.)		
272	G00041019	E04719	1	LOCTITE 222 (50 ml)		



Antrieb
AS 531

AS 531/2T MK-Kat VarioPro – ET documentation – Drive

Pos	Art-Nr.	E-Nr.	Menge	Beschreibung	Modell	Info
9	G00007042	E06037	1	Selflocking nut with serrated bearing (3		
69	G07838031	E03951	1	Hexagon screw (5 Stk.)		
76	G07890003	E04576	4	Flanged self-tapping screw (3 Stk.)		
82	G07880004	E03914	2	Disc (20 Stk.)		
104	G06325073	E06193	1	V-belt		
119	G00002028	E05647	1	Draw spring		
134	G07830031	E07211	1	Deep groove ball bearing		
136	G07856010	E04337	1	Disc spring (5 Stk.)		
154	G00020172	E12371	1	Drive cable		
155	G00020174	E12373	1	Vario cable		
184	G53180004	E12508	1	Getriebe mit 2 Riemenscheiben		
185	G07878011	E05900	4	Raised cross-head screw (5 Stk.)		
186	G04830003	E10444	1	Transmission cover		
187	G00006058	E10449	1	Gasket		
188	G07830017	E04683	4	Deep groove ball bearing		
189	G04830005	E10448	1	Worm shaft		
190	G04830002	E10443	1	Transmission housing		
191	G07823001	E01811	2	Circlip for drilled hole (2 Stk.)		
192	G07858013	E10447	2	Shaft seal ring		
193	G00010065	E04663	4	Disc (3 Stk.)		
194	G53125006	E12358	2	Belt pulley		
195	G00009024	E04519	2	Self-tapping screw (3 Stk.)		
196	G04830004	E10445	1	Worm wheel		
197	G07853020	E04322	1	Spring pin (10 Stk.)		
198	G04830301	E10528	1	Worm wheel shaft		
199	G00028004	E04319	1	Bearing bush		
200	G07833037	E10928	4	Hexagon socket head cap screw (10 Stk.)		
201	G53126005	E12367	1	Cover		
202	G00010133	E12385	2	Disc		
203	G00010130	E11606	2	Special disc		
204	G00010102	E07221	2	Thrust washer		
205	G07833042	E11516	1	Hexagon socket head cap screw (10 Stk.)		
206	G53125007	E12359	1	Vario lever		
207	G07861005	E07877	2	Disc (2 Stk.)		
208	G06525056	E07891	1	Tension pulley		
209	G07830047	E12509	1	Deep groove ball bearing		
210	G07823016	E07209	1	Circlip for drilled hole (2 Stk.)		
211	G00007079	E12369	2	Special nut		
212	G07838047	E05320	1	Hexagon screw (10 Stk.)		
213	G53125003	E12356	1	Drive lever tensioner		
214	G53125004	E12357	1	Bearing bolt		
215	G00002063	E10616	1	Draw spring		
216	G07830012	E04329	1	Deep groove ball bearing		
217	G07857041	E10414	1	High performance V-belt		
218	G53126002	E12364	1	Belt protection		
219	G07880007	E03960	1	Disc (20 Stk.)		



**Prallschutz und Grasfangsack
AS 531**

AS 531 4T MK and AS 531/4T MK VarioPro – ET documentation – Impact protector and grass bag

Pos	Art-Nr.	E-Nr.	Menge	Beschreibung	Modell	Info
12	G53120003	E12323	1	Hinge		
25	G00008195	E12475	2	Handle M6		
26	G07910005	E12498	2	Hexagon socket head cap screw (2 Stk.)		
85	G07906002	E06667	1	Self-locking hex nut (10 Stk.)		
120	G07838013	E02949	1	Hexagon screw (10 Stk.)		
220	G53126003	E12365	1	Impact protection		
221	G04826303	E10546	1	Impact protector cloth		
223	G00012011	E12510	3	Blind rivet (5 Stk.)		
224	G53126004	E12366	1	Hinge rod		
225	G00003040	E10145	2	Leg spring		
226	G04824003	E10490	2	Strut for grass collection bag frame		
227	G07918001	E07269	4	Self-locking hex nut (6 Stk.)		
228	G53180001	E12352	1	Grass collection bag frame with struts		
229	G53124006	E12353	1	Grass collection bag		
230	G53180002	E12354	1	Grass collection bag total		
264	G53126011	E13163	1	Reinforcement plate		



Pos.Nr.	ET-Nr.	Benennung
1	E12776	Aufkleber - Set AS 531

AS 531/2T MK-Kat VarioPro – ET documentation – Instruction plate - set

Pos	Art-Nr.	E-Nr.	Menge	Beschreibung	Modell	Info
1	G53180003	E12776	1	Instruction plate - set AS 531		