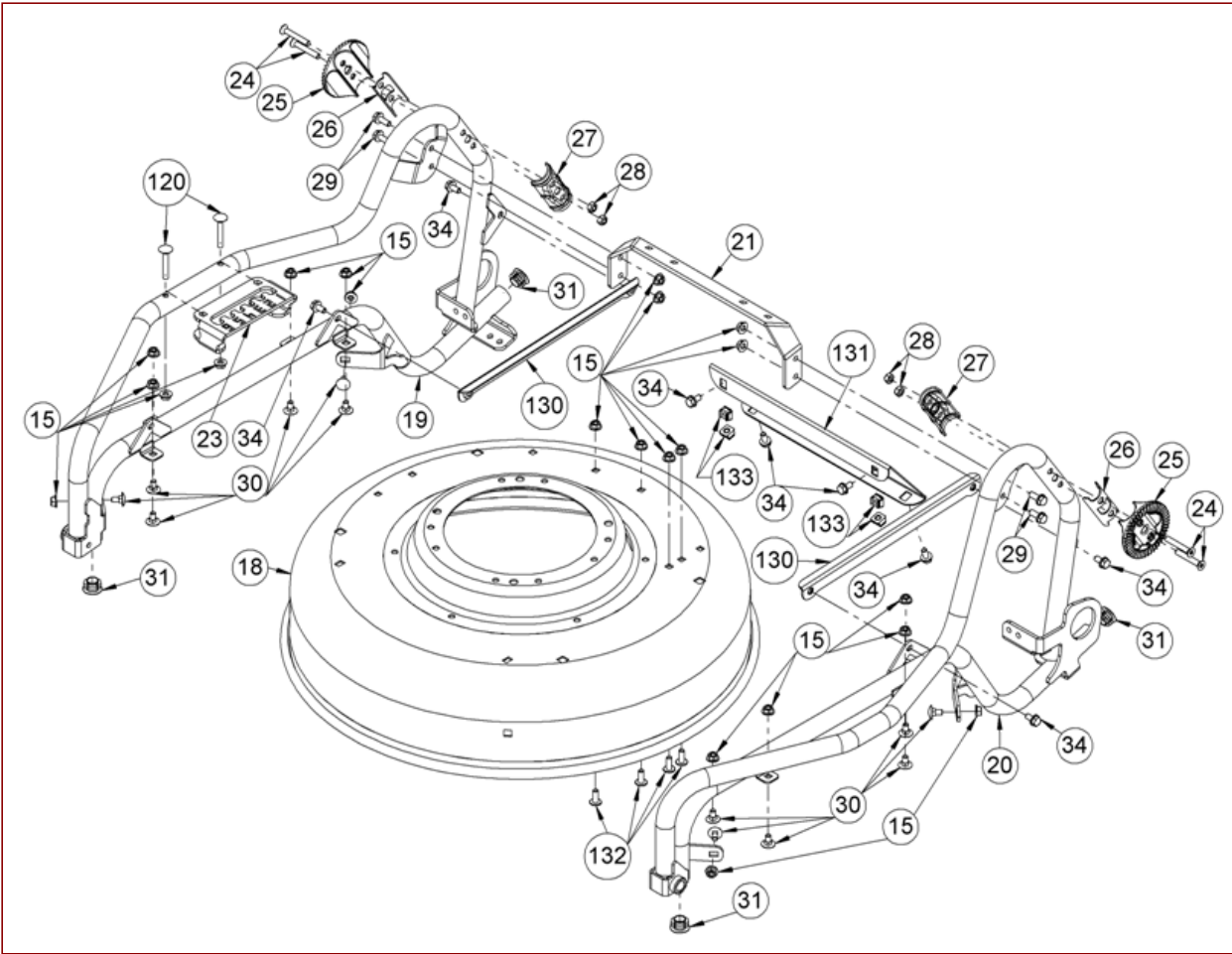
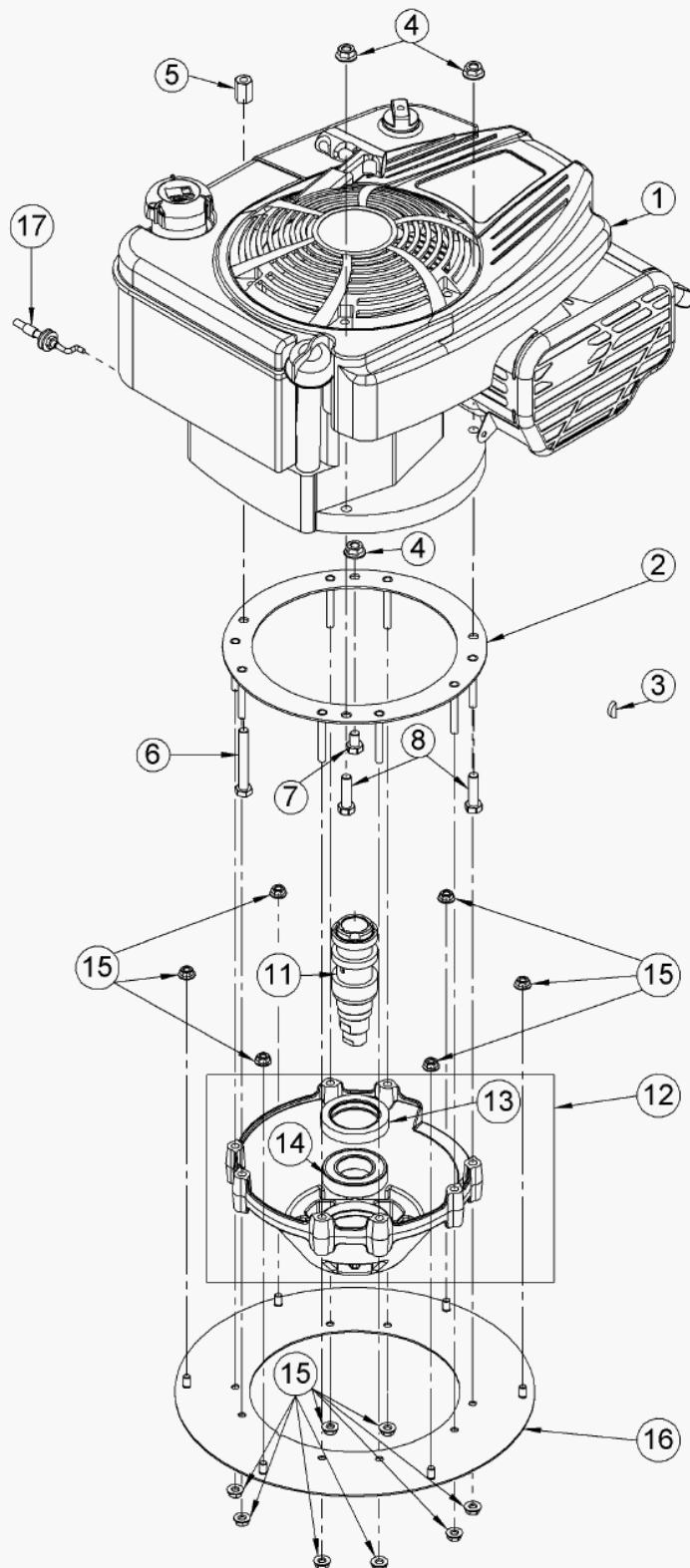


AS 510 4T and AS 510 ProClip – ET documentation – Blade cover



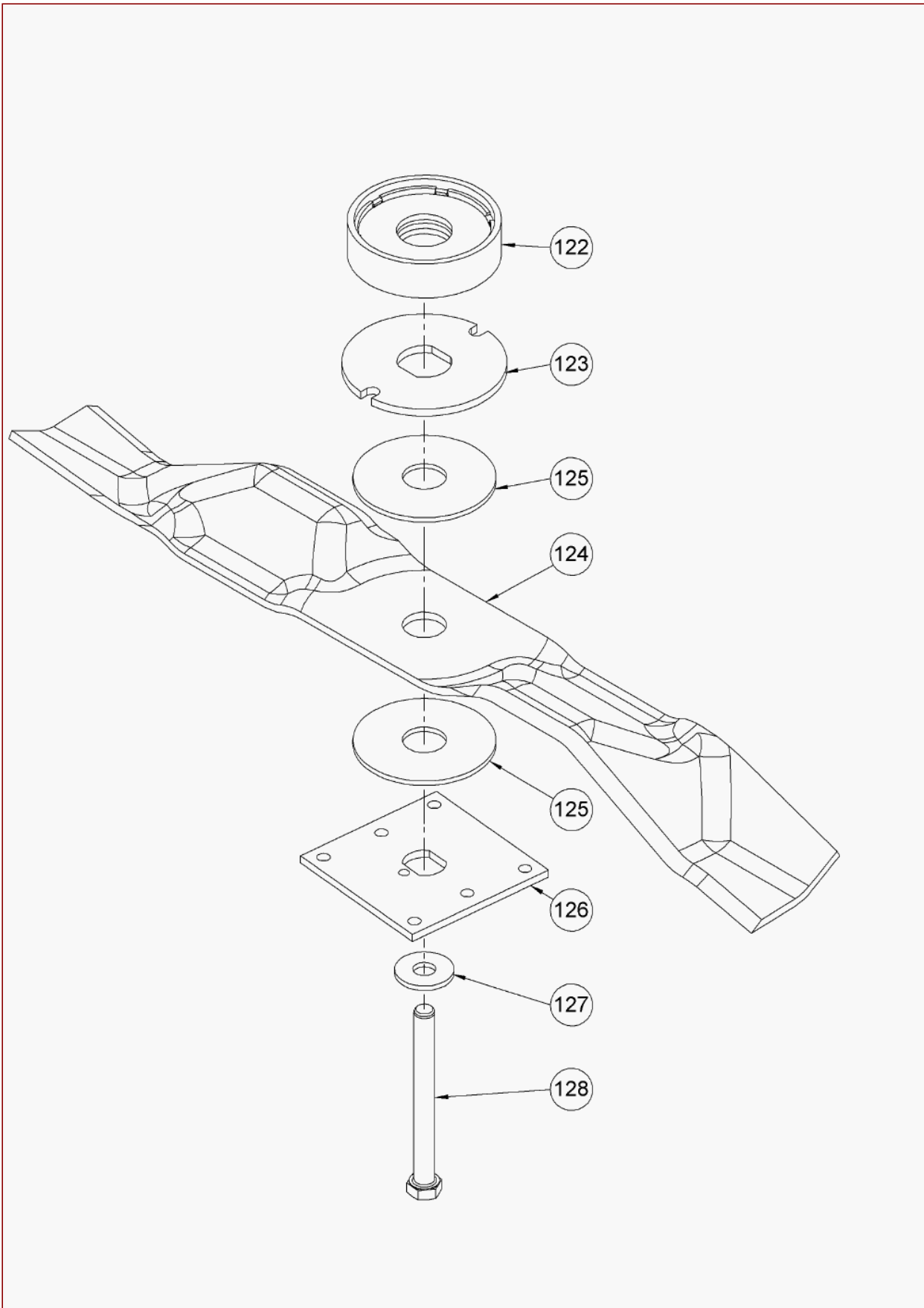
AS 510 4T and AS 510 ProClip – ET documentation – Blade cover

Pos	Art-Nr.	E-Nr.	Menge	Beschreibung	Modell	Info
15	G00007041	E05975	21	Selflocking nut with serrated bearing (3		
18	G51020001	E11839	1	Hood		
19	G51020020	E11850	1	Pipe frame right		
20	G51020021	E11851	1	Pipe frame left		
21	G51020016	E11846	1	Tank strut		
23	G51020014	E11845	1	Height adjustment locking plate		
24	G00009163	E11803	4	Countersunk screw with inside Torx (10 S		
25	G51022001	E11859	2	Bar height adjustment		
26	G00008148	E11878	2	Vibration damper (2 Stk.)		
27	G51022002	E11860	2	Bearing shell		
28	G07906002	E06667	4	Self-locking hex nut (10 Stk.)		
29	G00009094	E07247	4	Locking screw (2 Stk.)		
30	G07827008	E04991	12	Mushroom head square neck bolt (3 Stk.)		
31	G00029026	E11898	4	Lamella plugs (10 Stk.)		
34	G00009016	E04631	8	Hexagon screw with serration (5 Stk.)		
120	G07827023	E11895	2	Mushroom head square neck bolt (10 Stk.)		
130	G51020200	E11853	2	Support strip		
131	G51020201	E11854	1	Reinforcement plate		
132	G00009159	E11673	4	Dome head screw with Torx (10 Stk.)		
133	G00007055	E08289	4	Box nut (5 Stk.)		



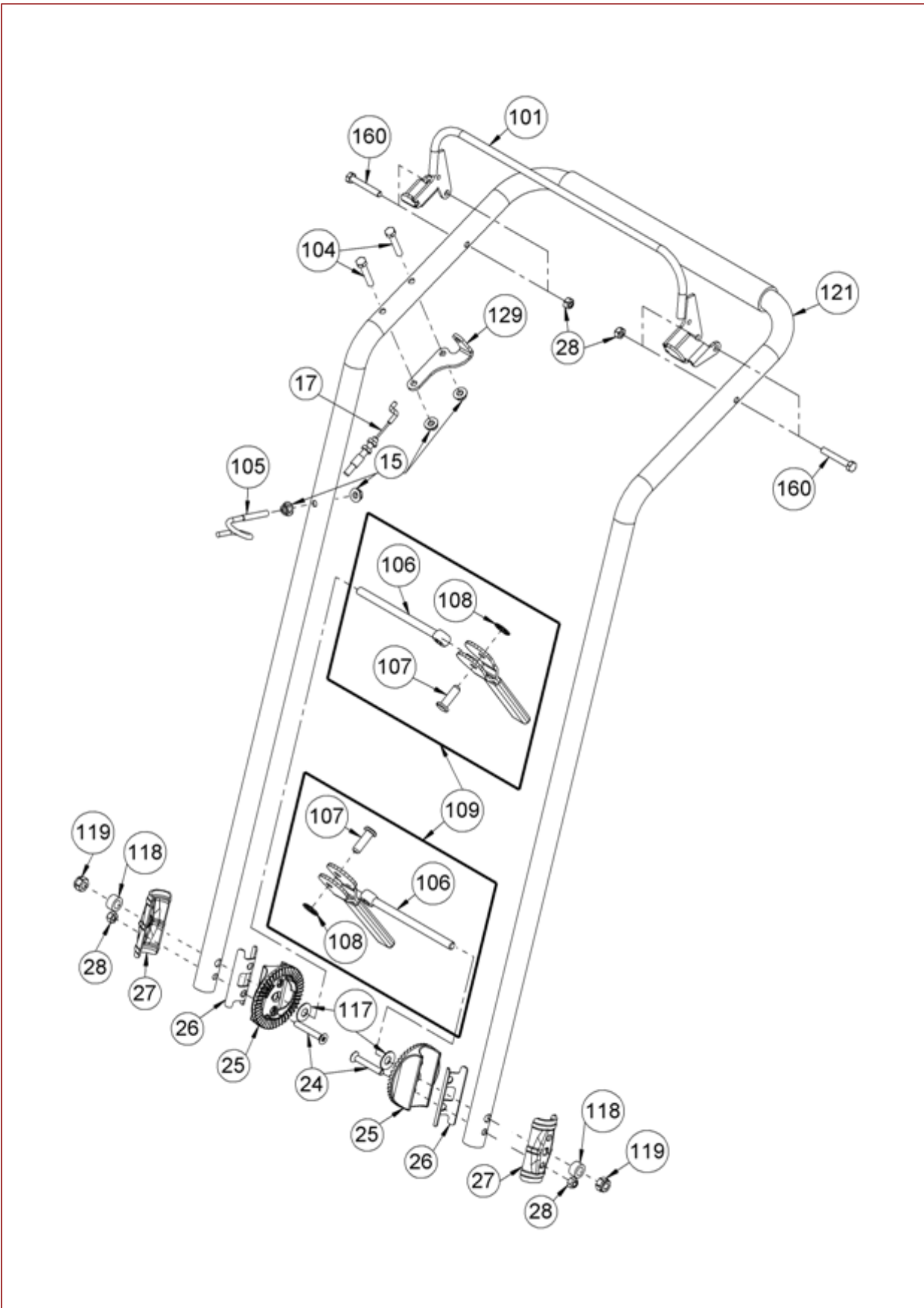
AS 510 4T and AS 510 ProClip – ET documentation – Motor with fixing

Pos	Art-Nr.	E-Nr.	Menge	Beschreibung	Modell	Info
1	G00501033	E11827	1	Engine B&S 850 series		
2	G51023005	E11869	1	Mounting plate 4T		
3	G07866007	E10162	1	Curved washer		
4	G00007042	E06037	3	Selflocking nut with serrated bearing (3		
5	G00007061	E10018	1	Connection nut		
6	G07837005	E03142	4	Hexagon screw (4 Stk.)		
7	G07838012	E03714	10	Hexagon screw (10 Stk.)		
8	G07838031	E03951	5	Hexagon screw (5 Stk.)		
11	G51023002	E11867	1	Blade carrier		
12	G51023004	E11868	1	Blade bearing pot		
13	G07858019	E11883	1	Shaft seal ring		
14	G07830028	E06855	1	Deep groove ball bearing		
15	G00007041	E05975	3	Selflocking nut with serrated bearing (3		
16	G51020019	E11849	1	Cover		
17	G00020168	E11837	1	Engine brake cable		



AS 510 4T A and AS 510 A ProClip – ET documentation – Blade with fixing

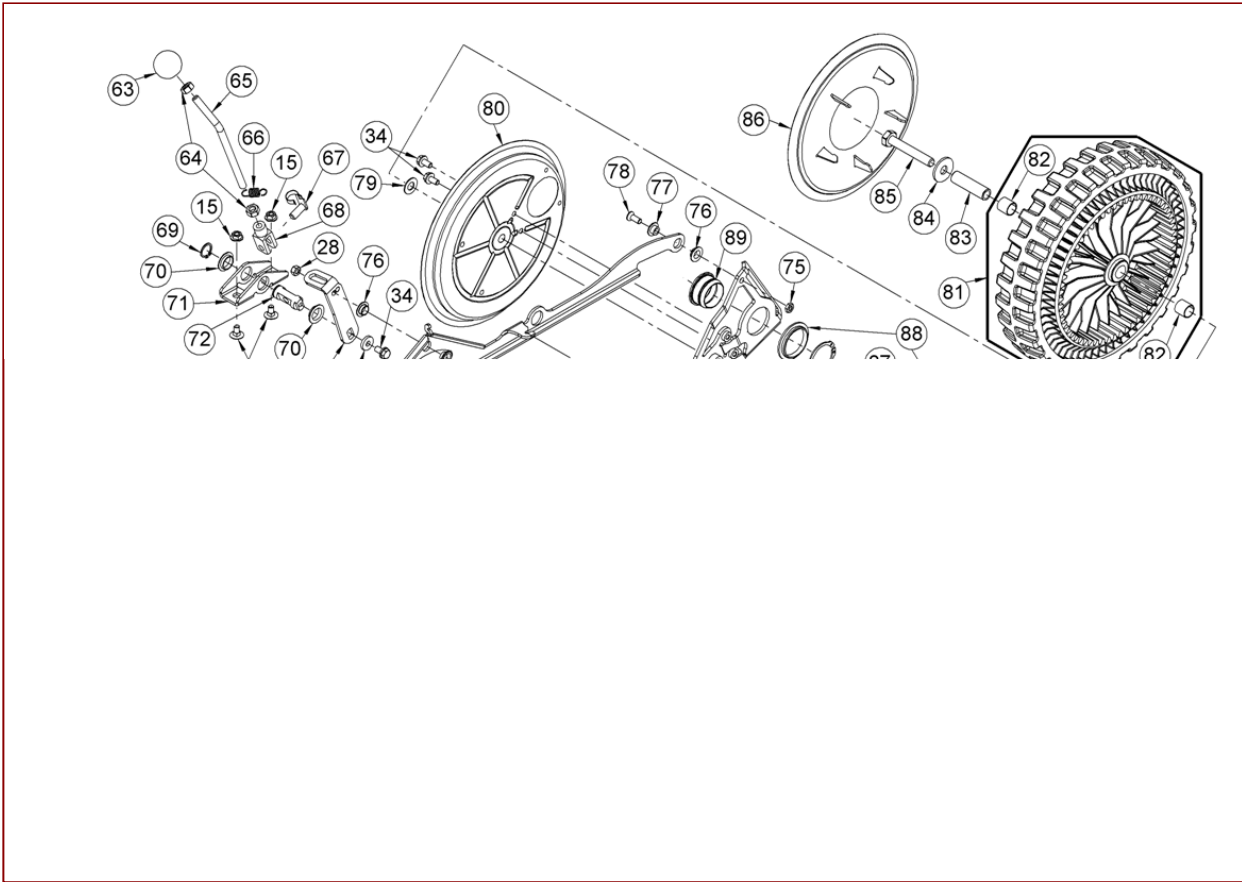
Pos	Art-Nr.	E-Nr.	Menge	Beschreibung	Modell	Info
122	G04323015	E10582	1	Winding protection cover total		
123	G00010118	E10122	1	Pressure plate top		
124	G51023001	E11823	1	Mulch blade		
125	G00010099	E07082	1	Slide washer		
126	G06123007	E03145	1	Pressure plate		
127	G00042010	E06882	2	Detent edge disc (2 Stk.)		
128	G00009089	E07015	1	Inch screw		



AS 510 4T and AS 510 ProClip – ET documentation – Strut

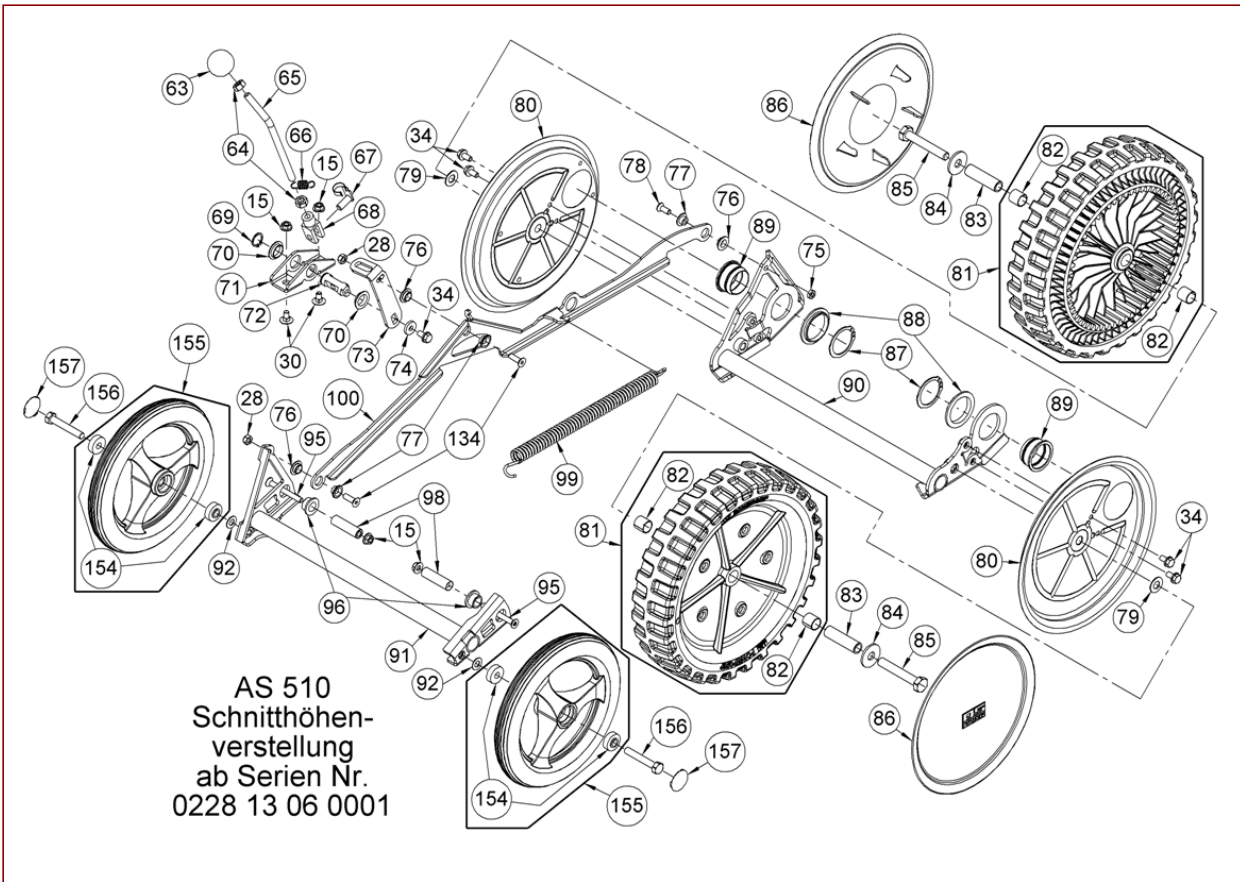
Pos	Art-Nr.	E-Nr.	Menge	Beschreibung	Modell	Info
15	G00007041	E05975	4	Selflocking nut with serrated bearing (3		
17	G00020168	E11837	1	Engine brake cable		
24	G00009163	E11803	2	Countersunk screw with inside Torx (10 S		
25	G51022001	E11859	2	Bar height adjustment		
26	G00008148	E11878	2	Vibration damper (2 Stk.)		
27	G51022002	E11860	2	Bearing shell		
28	G07906002	E06667	4	Self-locking hex nut (10 Stk.)		
101	G51022005	E11862	1	Brake bar		
104	G07837024	E04058	2	Hexagon screw (10 Stk.)		
105	G00005038	E06864	1	Handle holder		
106	G07820004	E10120	2	Eye bolt		
107	G07886001	E04476	2	Bolt with head		
108	G00027001	E04567	2	Shaft locking clip		
109	G07322010	E10119	2	Eccentric lever with eyebolt		
117	G00033005	E04568	2	Disc spring		
118	G00024008	E06102	2	Spacer sleeve		
119	G07846001	E01912	2	Self-locking hex nut (10 Stk.)		
121	G51022014	E11865	1	Barre		
129	G51022200	E11866	1	Bowden cable counter holder		
160	G07837008	E02926	2	Hexagon screw (10 Stk.)		

AS 510 4T and AS 510 ProClip – ET documentation – Cutting-height adjustment



AS 510 4T and AS 510 ProClip – ET documentation – Cutting-height adjustment

Pos	Art-Nr.	E-Nr.	Menge	Beschreibung	Modell	Info
15	G00007041	E05975	4	Selflocking nut with serrated bearing (3		
28	G07906002	E06667	2	Self-locking hex nut (10 Stk.)		
30	G07827008	E04991	2	Mushroom head square neck bolt (3 Stk.)		
34	G00009016	E04631	5	Hexagon screw with serration (5 Stk.)		
63	G07917001	E07245	1	Spherical button		
64	G07839003	E01906	1	Hex nut (10 Stk.)		
65	G51020013	E11844	1	Height adjustment lever		
66	G00002073	E11882	1	Draw spring		
67	G00039005	E08459	1	Folding spring bolt		
68	G07925005	E11879	1	Fork head		
69	G07822007	E04326	1	Circlip for shaft (20 Stk.)		
70	G00028060	E11806	2	Friction bearing with collar		
71	G51020010	E11841	1	Height adjustment bearing		
72	G51020011	E11842	1	Height adjustment pin		
73	G51020012	E11843	1	Height adjustment guide lever		
74	G07861005	E07877	1	Disc (2 Stk.)		
75	G07818004	E03917	1	Hex nut (10 Stk.)		
76	G00028061	E11881	3	Friction bearing with collar (3 Stk.)		
77	G00024053	E11805	3	Bearing bush		
78	G00009105	E08066	1	Countersunk screw with inside Torx		
79	G07856005	E03483	2	Disc spring (5 Stk.)		
80	G51021010	E11858	2	Cover plate		
81	G04521015	E05269	2	Wheel complete		
82	G00028005	E04601	4	DU bush		
83	G06121007	E04185	2	Bearing sleeve		
84	G07880001	E01980	2	Disc (10 Stk.)		
85	G07837011	E04186	2	Hexagon screw (3 Stk.)		
86	G04521014	E05271	2	Wheel trim		
87	G07822019	E10461	2	Circlip for shaft (10 Stk.)		
88	G00028048	E10433	2	Friction bearing with collar		
89	G51020018	E11848	2	Bearing sleeve		
90	G51021007	E11856	1	Rear wheel axle		
91	G51021004	E11855	1	Front wheel axle		
92	G07856010	E04337	2	Disc spring (5 Stk.)		
93	G51021009	E11857	2	Replaced by E13052		
	G51080004	E13052	1	Wheel Ø200 + screw + cap		
94	G07837057	E06760	2	Hexagon screw (5 Stk.)		
95	G00009162	E11802	2	Countersunk screw with inside Torx (10 S		
96	G00028041	E07043	2	Friction bearing with collar		
98	G51020017	E11847	2	Front wheel axle bearing studs		
99	G00002025	E05547	1	Relieving spring		
100	G51020009	E11840	1	Height adjustment rod		
134	G07879001	E04342	2	Countersunk screw with hexagon socket (5		
154	G51050003	E12739	4	Ball bearing (2 Stk.)		



AS 510 4T and AS 510 ProClip – ET documentation – Cutting-height adjustment from serial
No.022813060001

Pos	Art-Nr.	E-Nr.	Menge	Beschreibung	Modell	Info
15	G00007041	E05975	4	Selflocking nut with serrated bearing (3		
28	G07906002	E06667	2	Self-locking hex nut (10 Stk.)		
30	G07827008	E04991	2	Mushroom head square neck bolt (3 Stk.)		
34	G00009016	E04631	5	Hexagon screw with serration (5 Stk.)		
63	G07917001	E07245	1	Spherical button		
64	G07839003	E01906	1	Hex nut (10 Stk.)		
65	G51020013	E11844	1	Height adjustment lever		
66	G00002073	E11882	1	Draw spring		
67	G00039005	E08459	1	Folding spring bolt		
68	G07925005	E11879	1	Fork head		
69	G07822007	E04326	1	Circlip for shaft (20 Stk.)		
70	G00028060	E11806	2	Friction bearing with collar		
71	G51020010	E11841	1	Height adjustment bearing		
72	G51020011	E11842	1	Height adjustment pin		
73	G51020012	E11843	1	Height adjustment guide lever		
74	G07861005	E07877	1	Disc (2 Stk.)		
75	G07818004	E03917	1	Hex nut (10 Stk.)		
76	G00028061	E11881	3	Friction bearing with collar (3 Stk.)		
77	G00024053	E11805	3	Bearing bush		
78	G00009105	E08066	1	Countersunk screw with inside Torx		
79	G07856005	E03483	2	Disc spring (5 Stk.)		
80	G51021010	E11858	2	Cover plate		
81	G04521015	E05269	2	Wheel complete		
82	G00028005	E04601	4	DU bush		
83	G06121007	E04185	2	Bearing sleeve		
84	G07880001	E01980	2	Disc (10 Stk.)		
85	G07837011	E04186	2	Hexagon screw (3 Stk.)		
86	G04521014	E05271	2	Wheel trim		
87	G07822019	E10461	2	Circlip for shaft (10 Stk.)		
88	G00028048	E10433	2	Friction bearing with collar		
89	G51020018	E11848	2	Bearing sleeve		
90	G51021007	E11856	1	Rear wheel axle		
91	G51021004	E11855	1	Front wheel axle		
92	G07856010	E04337	2	Disc spring (5 Stk.)		
95	G00009162	E11802	2	Countersunk screw with inside Torx (10 S		
96	G00028041	E07043	2	Friction bearing with collar		
98	G51020017	E11847	2	Front wheel axle bearing studs		
99	G00002025	E05547	1	Relieving spring		
100	G51020009	E11840	1	Height adjustment rod		
134	G07879001	E04342	2	Countersunk screw with hexagon socket (5		
154	G51050003	E12739	4	Ball bearing (2 Stk.)		
155	G53121017	E12408	2	Wheel Ø 200		
156	G07837020	E03924	2	Hexagon screw (4 Stk.)		
157	G53121018	E12409	2	Cap for wheel Ø 200		



Pos.Nr.	ET-Nr.	Benennung
1	E12773	Aufkleber - Set AS 510

AS 510/ AS 420/ AS 470 Mulching mower – AS 510 2T A and AS 510 A/2T ProClip – Instruction plate - set

Pos	Art-Nr.	E-Nr.	Menge	Beschreibung	Modell	Info
1	G51080003	E12773	1	Instruction plate - set AS 510		