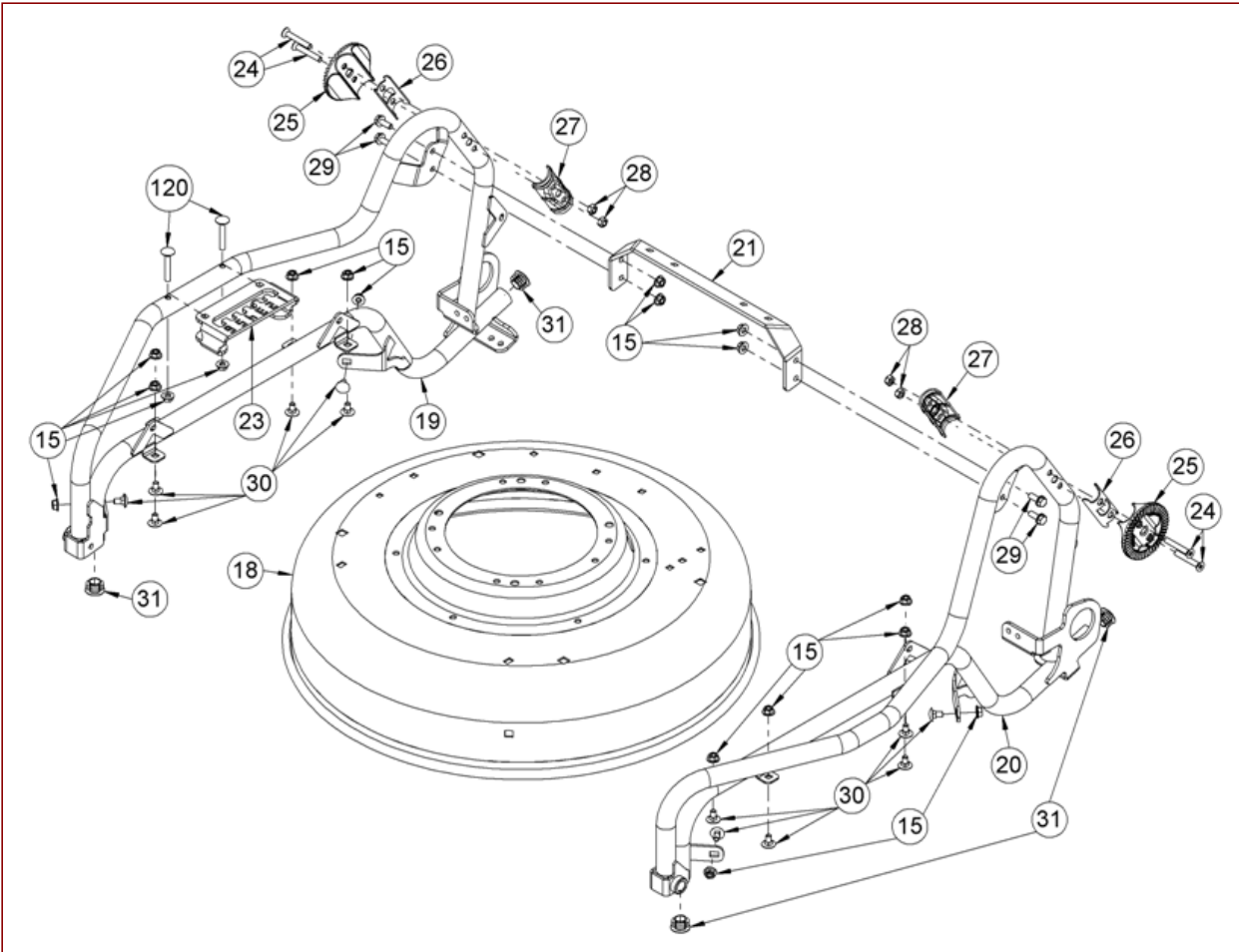
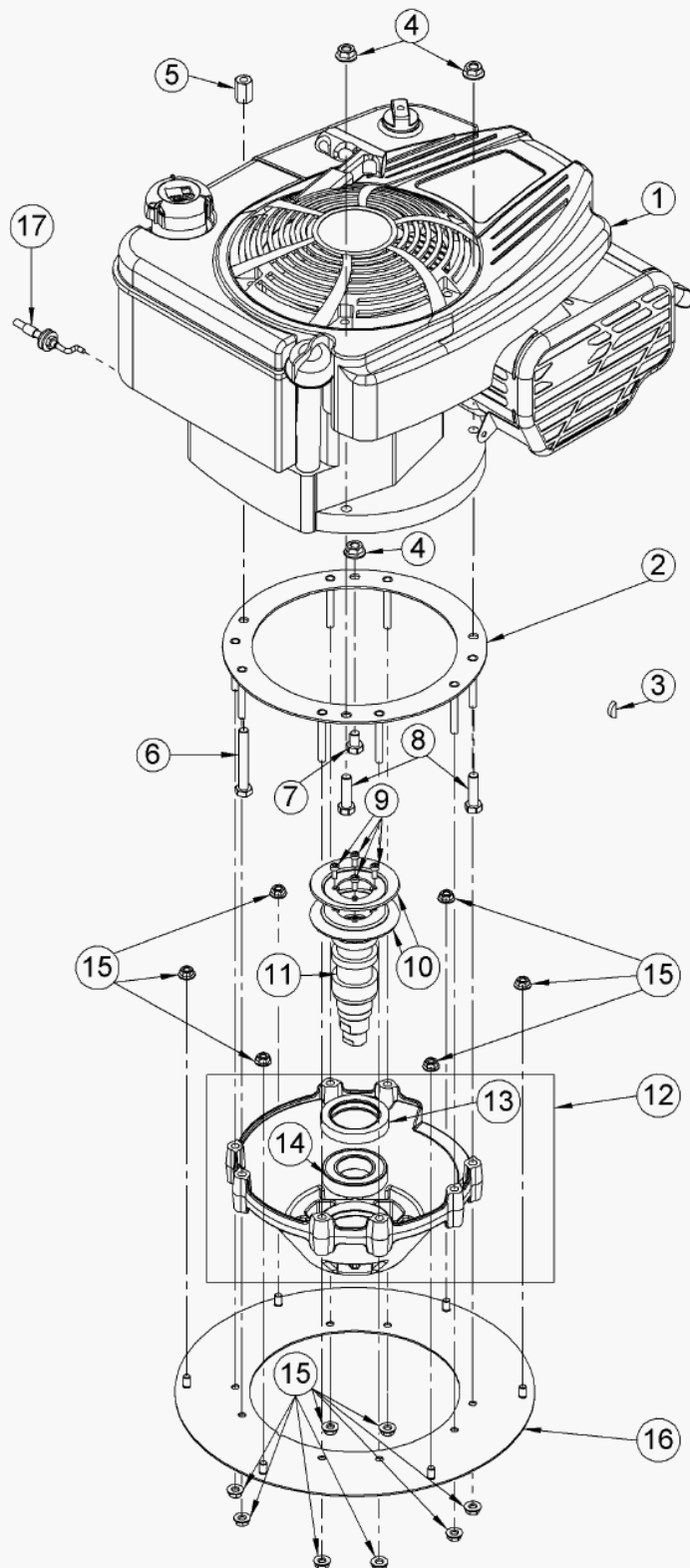


AS 510 4T A and AS 510 A ProClip – ET documentation – Blade cover



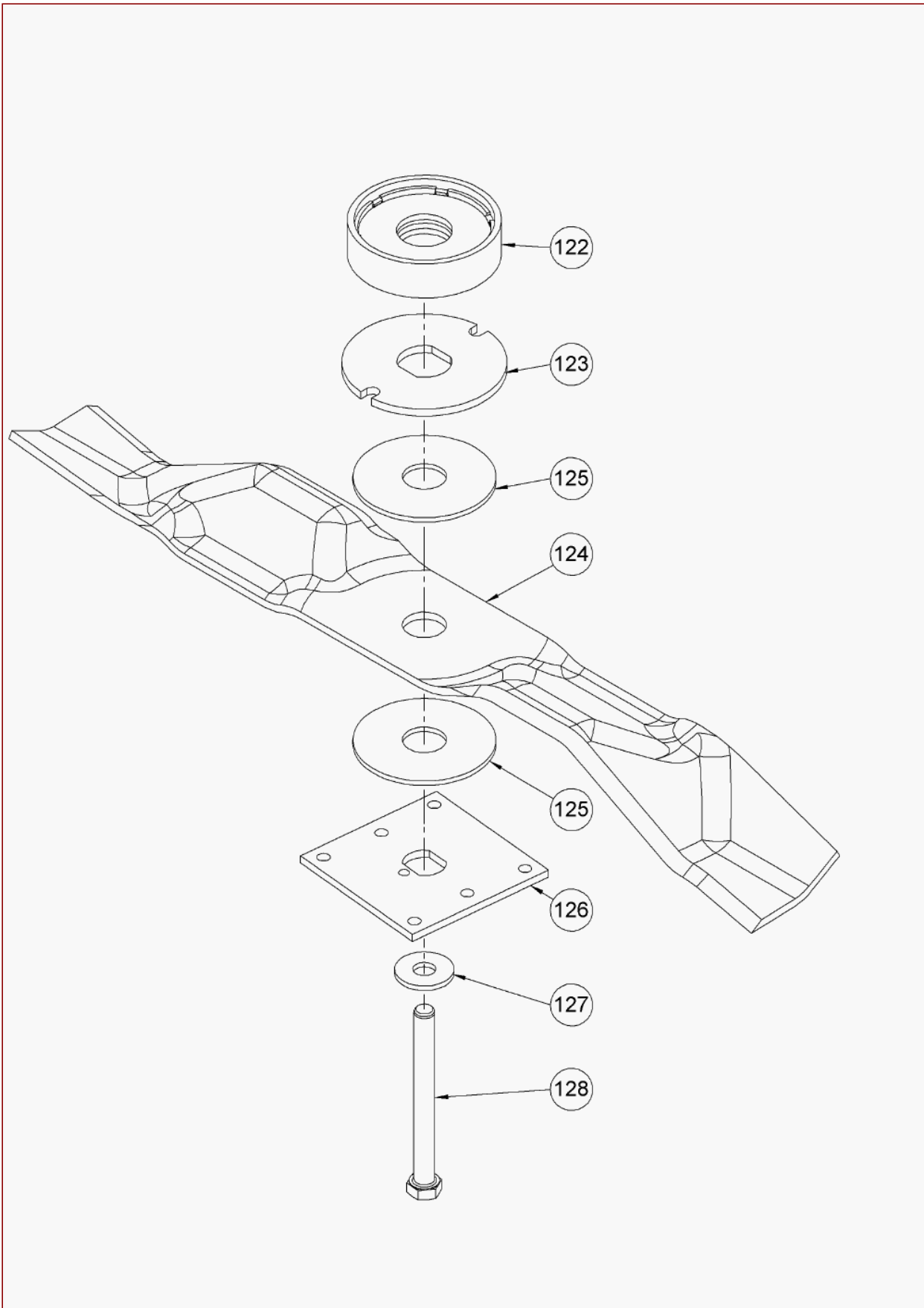
AS 510 4T A and AS 510 A ProClip – ET documentation – Blade cover

| Pos | Art-Nr. | E-Nr. | Menge | Beschreibung | Modell | Info |
|-----|-----------|--------|-------|--|--------|------|
| 15 | G00007041 | E05975 | 18 | Selflocking nut with serrated bearing (3 | | |
| 18 | G51020001 | E11839 | 1 | Hood | | |
| 19 | G51020020 | E11850 | 1 | Pipe frame right | | |
| 20 | G51020021 | E11851 | 1 | Pipe frame left | | |
| 21 | G51020016 | E11846 | 1 | Tank strut | | |
| 23 | G51020014 | E11845 | 1 | Height adjustment locking plate | | |
| 24 | G00009163 | E11803 | 4 | Countersunk screw with inside Torx (10 S | | |
| 25 | G51022001 | E11859 | 2 | Bar height adjustment | | |
| 26 | G00008148 | E11878 | 2 | Vibration damper (2 Stk.) | | |
| 27 | G51022002 | E11860 | 2 | Bearing shell | | |
| 28 | G07906002 | E06667 | 4 | Self-locking hex nut (10 Stk.) | | |
| 29 | G00009094 | E07247 | 4 | Locking screw (2 Stk.) | | |
| 30 | G07827008 | E04991 | 12 | Mushroom head square neck bolt (3 Stk.) | | |
| 31 | G00029026 | E11898 | 4 | Lamella plugs (10 Stk.) | | |
| 120 | G07827023 | E11895 | 2 | Mushroom head square neck bolt (10 Stk.) | | |



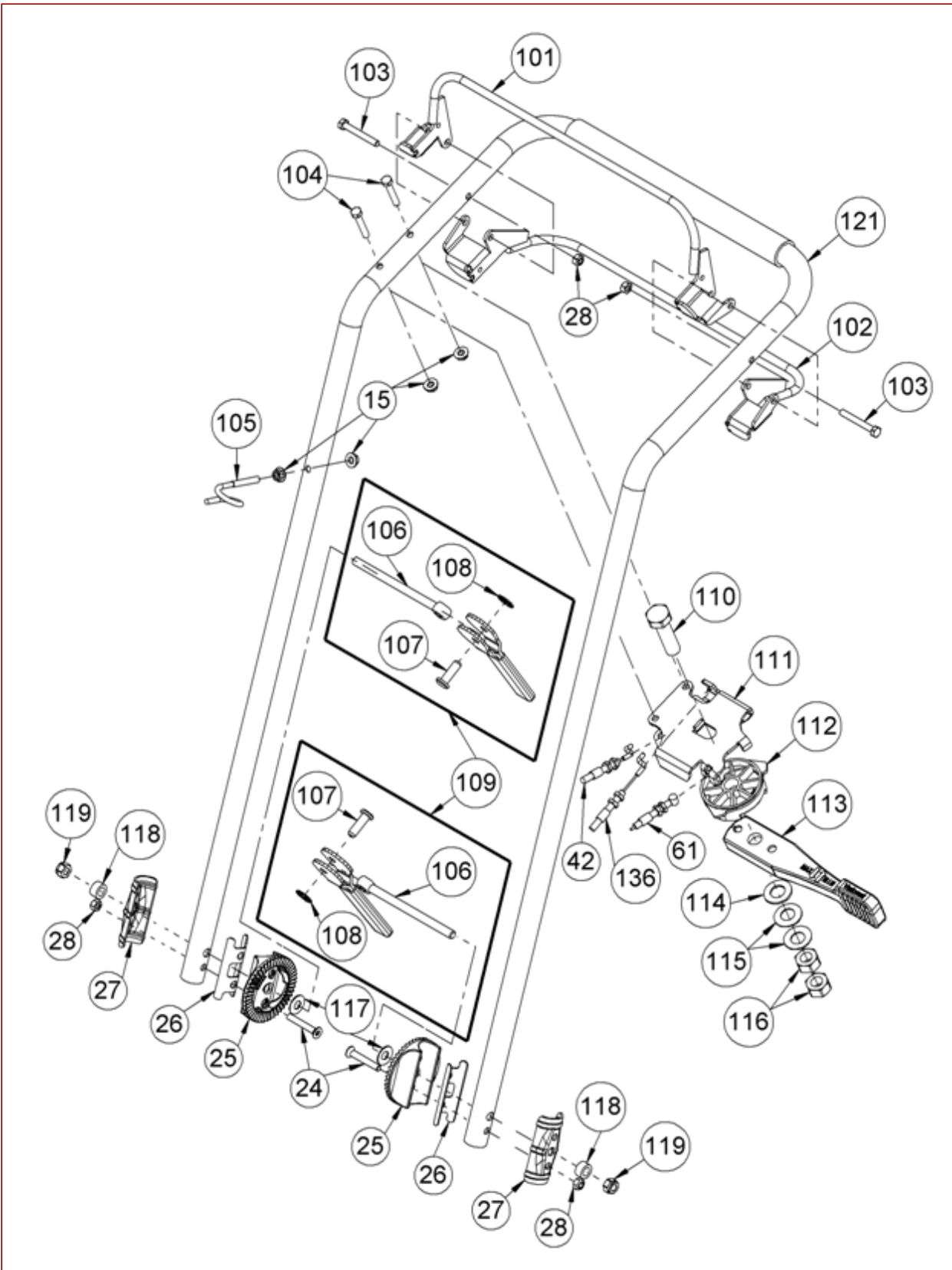
AS 510 4T A and AS 510 A ProClip – ET documentation – Motor with fixing

| Pos | Art-Nr. | E-Nr. | Menge | Beschreibung | Modell | Info |
|-----|-----------|--------|-------|--|--------|------|
| 1 | G00501033 | E11827 | 1 | Engine B&S 850 series | | |
| 2 | G51023005 | E11869 | 1 | Mounting plate 4T | | |
| 3 | G07866007 | E10162 | 1 | Curved washer | | |
| 4 | G00007042 | E06037 | 3 | Selflocking nut with serrated bearing (3 | | |
| 5 | G00007061 | E10018 | 1 | Connection nut | | |
| 6 | G07837005 | E03142 | 4 | Hexagon screw (4 Stk.) | | |
| 7 | G07838012 | E03714 | 10 | Hexagon screw (10 Stk.) | | |
| 8 | G07838031 | E03951 | 5 | Hexagon screw (5 Stk.) | | |
| 9 | G07833029 | E08544 | 5 | Hexagon socket head cap screw (5 Stk.) | | |
| 10 | G04825016 | E10457 | 1 | Belt pulley dw 70 | | |
| 11 | G51023002 | E11867 | 1 | Blade carrier | | |
| 12 | G51023004 | E11868 | 1 | Blade bearing pot | | |
| 13 | G07858019 | E11883 | 1 | Shaft seal ring | | |
| 14 | G07830028 | E06855 | 1 | Deep groove ball bearing | | |
| 15 | G00007041 | E05975 | 3 | Selflocking nut with serrated bearing (3 | | |
| 16 | G51020019 | E11849 | 1 | Cover | | |
| 17 | G00020168 | E11837 | 1 | Engine brake cable | | |



AS 510 4T A and AS 510 A ProClip – ET documentation – Blade with fixing

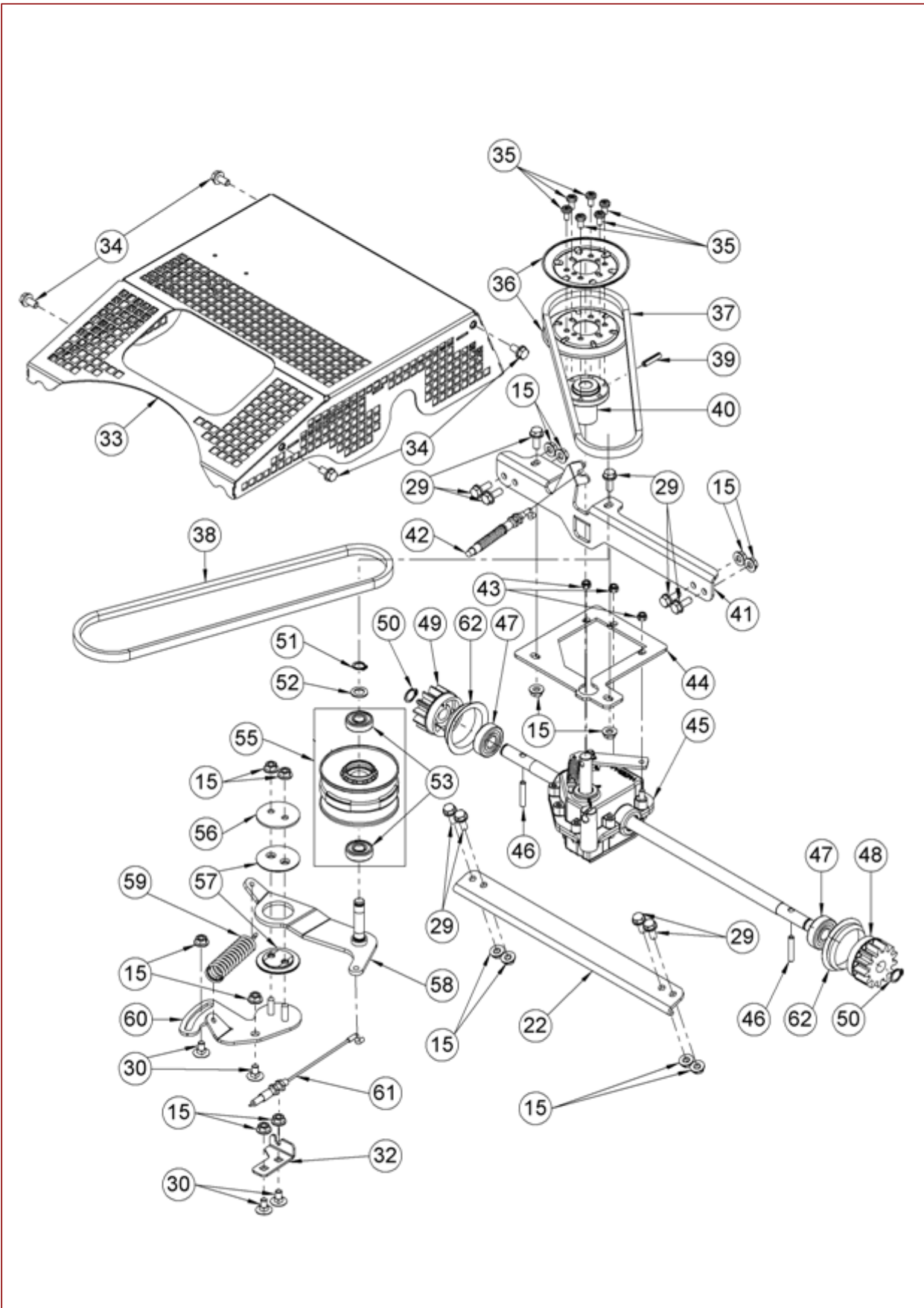
| Pos | Art-Nr. | E-Nr. | Menge | Beschreibung | Modell | Info |
|-----|-----------|--------|-------|--------------------------------|--------|------|
| 122 | G04323015 | E10582 | 1 | Winding protection cover total | | |
| 123 | G00010118 | E10122 | 1 | Pressure plate top | | |
| 124 | G51023001 | E11823 | 1 | Mulch blade | | |
| 125 | G00010099 | E07082 | 1 | Slide washer | | |
| 126 | G06123007 | E03145 | 1 | Pressure plate | | |
| 127 | G00042010 | E06882 | 2 | Detent edge disc (2 Stk.) | | |
| 128 | G00009089 | E07015 | 1 | Inch screw | | |




AS 510 4T A and AS 510 A ProClip – ET documentation – Strut

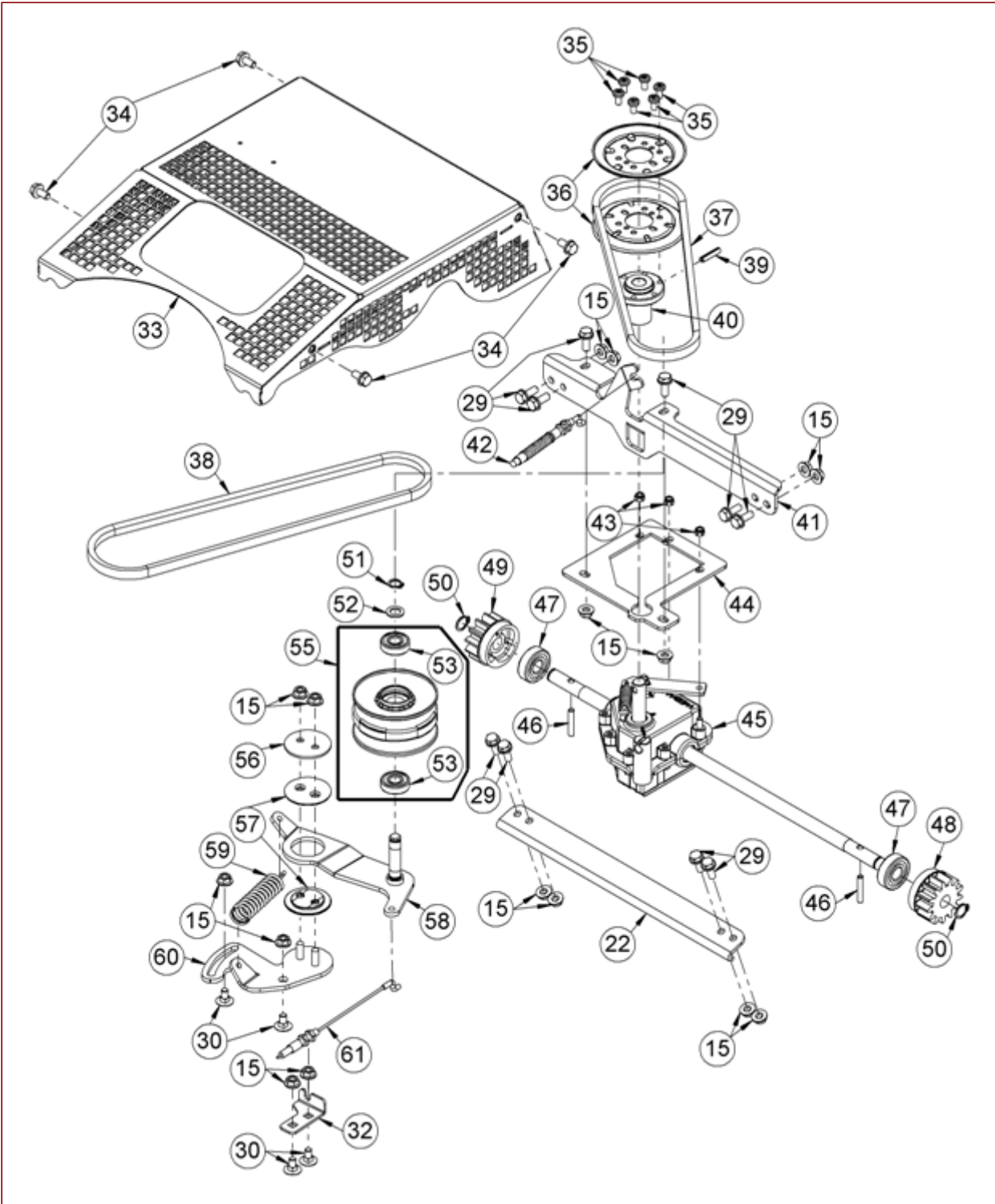
| Pos | Art-Nr. | E-Nr. | Menge | Beschreibung | Modell | Info |
|-----|-----------|--------|-------|--|--------|------|
| 15 | G00007041 | E05975 | 4 | Selflocking nut with serrated bearing (3 | | |
| 24 | G00009163 | E11803 | 2 | Countersunk screw with inside Torx (10 S | | |
| 25 | G51022001 | E11859 | 2 | Bar height adjustment | | |
| 26 | G00008148 | E11878 | 2 | Vibration damper (2 Stk.) | | |
| 27 | G51022002 | E11860 | 2 | Bearing shell | | |
| 28 | G07906002 | E06667 | 2 | Self-locking hex nut (10 Stk.) | | |
| 42 | G00020167 | E11836 | 1 | Drive cable | | |
| 61 | G00020169 | E11838 | 1 | Vario cable | | |
| 101 | G51022005 | E11862 | 1 | Brake bar | | |
| 102 | G51022009 | E11863 | 1 | Drive bar | | |
| 103 | G07837068 | E07643 | 2 | Hexagon screw (2 Stk.) | | |
| 104 | G07837024 | E04058 | 2 | Hexagon screw (10 Stk.) | | |
| 105 | G00005038 | E06864 | 1 | Handle holder | | |
| 106 | G07820004 | E10120 | 2 | Eye bolt | | |
| 107 | G07886001 | E04476 | 2 | Bolt with head | | |
| 108 | G00027001 | E04567 | 2 | Shaft locking clip | | |
| 109 | G07322010 | E10119 | 2 | Eccentric lever with eyebolt | | |
| 110 | G00009164 | E11885 | 1 | Hexagon screw, fine thread | | |
| 111 | G51022013 | E11864 | 1 | Vario sheet | | |
| 112 | G04322050 | E05783 | 1 | Adjusting disc | | |
| 113 | G04322055 | E05784 | 1 | Adjusting lever | | |
| 114 | G07809010 | E03592 | 1 | Disc (10 Stk.) | | |
| 115 | G07856006 | E03319 | 2 | Disc spring (10 Stk.) | | |
| 116 | G00007078 | E11886 | 2 | Fine thread nut (10 Stk.) | | |
| 117 | G00033005 | E04568 | 2 | Disc spring | | |
| 118 | G00024008 | E06102 | 2 | Spacer sleeve | | |
| 119 | G07846001 | E01912 | 2 | Self-locking hex nut (10 Stk.) | | |
| 121 | G51022014 | E11865 | 1 | Barre | | |
| 136 | G00020170 | E11945 | 1 | Engine brake cable AS 510 A/2T | | |

AS 510/ AS 420/ AS 470 Mulching mower – AS 510 2T A and AS 510 A/2T ProClip – Drive



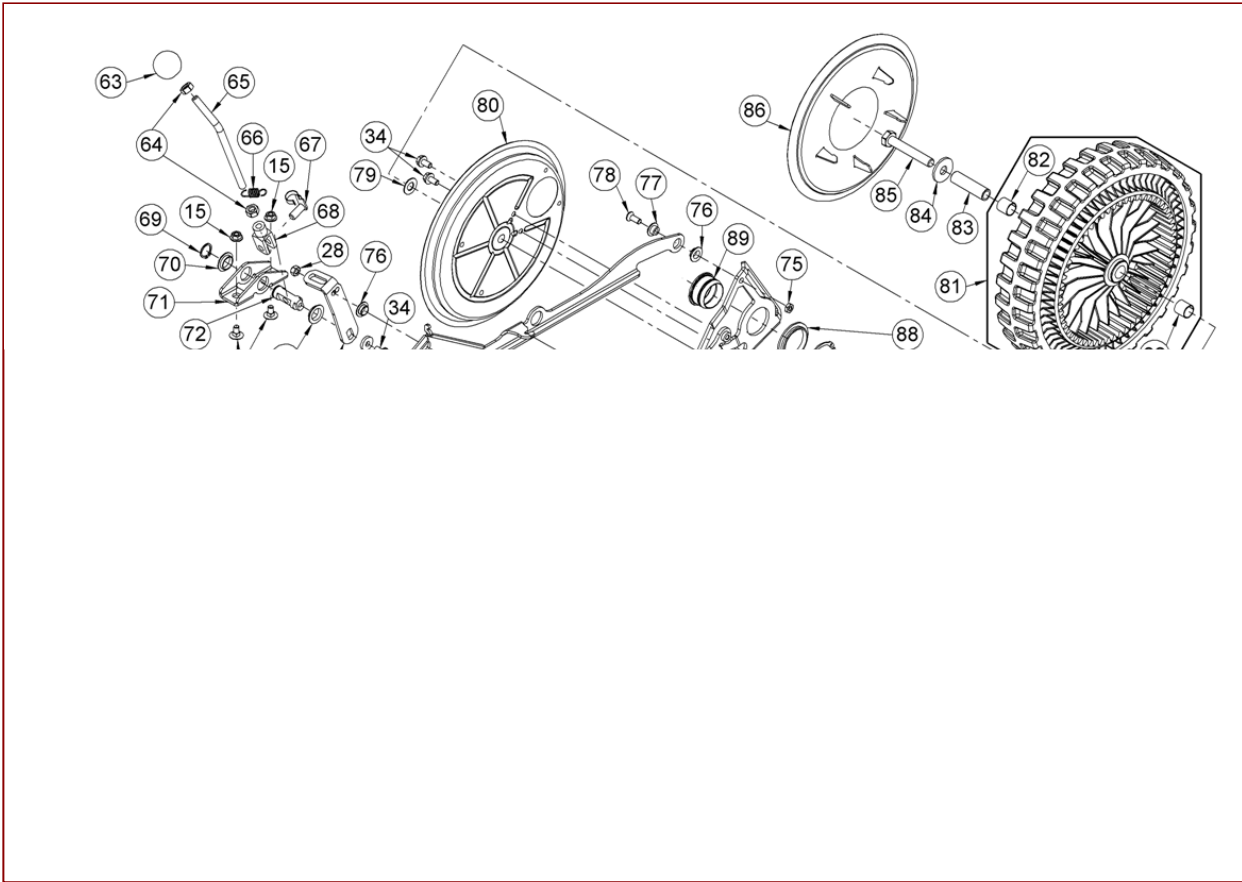
AS 510/ AS 420/ AS 470 Mulching mower – AS 510 2T A and AS 510 A/2T ProClip – Drive

| Pos | Art-Nr. | E-Nr. | Menge | Beschreibung | Modell | Info |
|--|----------------------|-------------------|-------|---|--------|------|
| 15 | G00007041 | E05975 | 16 | Selflocking nut with serrated bearing (3 | | |
| 22 | G51020028 | E11852 | 1 | Strip | | |
| 29 | G00009094 | E07247 | 10 | Locking screw (2 Stk.) | | |
| 30 | G07827008 | E04991 | 4 | Mushroom head square neck bolt (3 Stk.) | | |
| 32 | G51022004 | E11861 | 1 | Bowden cable counter holder | | |
| 33 | G51026001 | E11873 | 1 | Belt covering | | |
| 34 | G00009016 | E04631 | 4 | Hexagon screw with serration (5 Stk.) | | |
| 35 | G00009149 | E10597 | 6 | Self-tapping Torx screw (10 Stk.) | | |
| 36 | G04825005 | E10431 | 2 | Belt pulley | | |
| 37 | G07857049 | E11800 | 1 | V-belt | | |
| 38 | G07857048 | E11799 | 1 | V-belt | | |
| 39 | G07853010 | E03121 | 1 | Spring pin (20 Stk.) | | |
| 40 | G51025001 | E11870 | 1 | Belt pulley hub | | |
| 41 | G51030002 | E11876 | 1 | Transmission holder | | |
| 42 | G00020167 | E11836 | 1 | Drive cable | | |
| 43 | G07846002 | E01932 | 3 | Self-locking hex nut (5 Stk.) | | |
| 44 | G51030003 | E11877 | 1 | Transmission retaining plate | | |
| 45 | G51030001 | E11875 | 1 | Transmission | | |
| 46 | G04225004 | E04680 | 2 | Needle roller | | |
| 47 | G07830030 | E06988 | 2 | Deep groove ball bearing | | |
| 48 | G04530055 | E06911 | 1 | Pinion left | | |
| 49 | G04530054 | E06910 | 1 | Pinion right | | |
| 50 | G07822005 | E03229 | 2 | Circlip for shaft (10 Stk.) | | |
| 51 | G07822002 | E02650 | 1 | Circlip for shaft (5 Stk.) | | |
| 52 | G07847008 | E02649 | 1 | Supporting disc (5 Stk.) | | |
| 53 | G07830014 | E04345 | 2 | Deep groove ball bearing | | |
| 55 | G04325038 | E04344 | 1 | Vario disc with ball bearing | | |
| 56 | G04325106 | E05515 | 1 | Thrust washer | | |
| 57 | G04325105 | E05457 | 2 | Bearing washer (3 Stk.) | | |
| 58 | G51025003 | E11872 | 1 | Swivel lever | | |
| 59 | G00002011 | E04343 | 1 | Draw spring | | |
| 60 | G51025002 | E11871 | 1 | Adjusting plate | | |
| 61 | G00020169 | E11838 | 1 | Vario cable | | |
| 62 | G00008147 | E11804 | 2 | Replaced by G51080005 (2 Stk.) | | |
|  | G51080005 | E13162 | 1 | Rot. shaft seal ring + instruction | | |



AS 510 4T A and AS 510 A ProClip – ET documentation – Drive from serial No. 022715050001

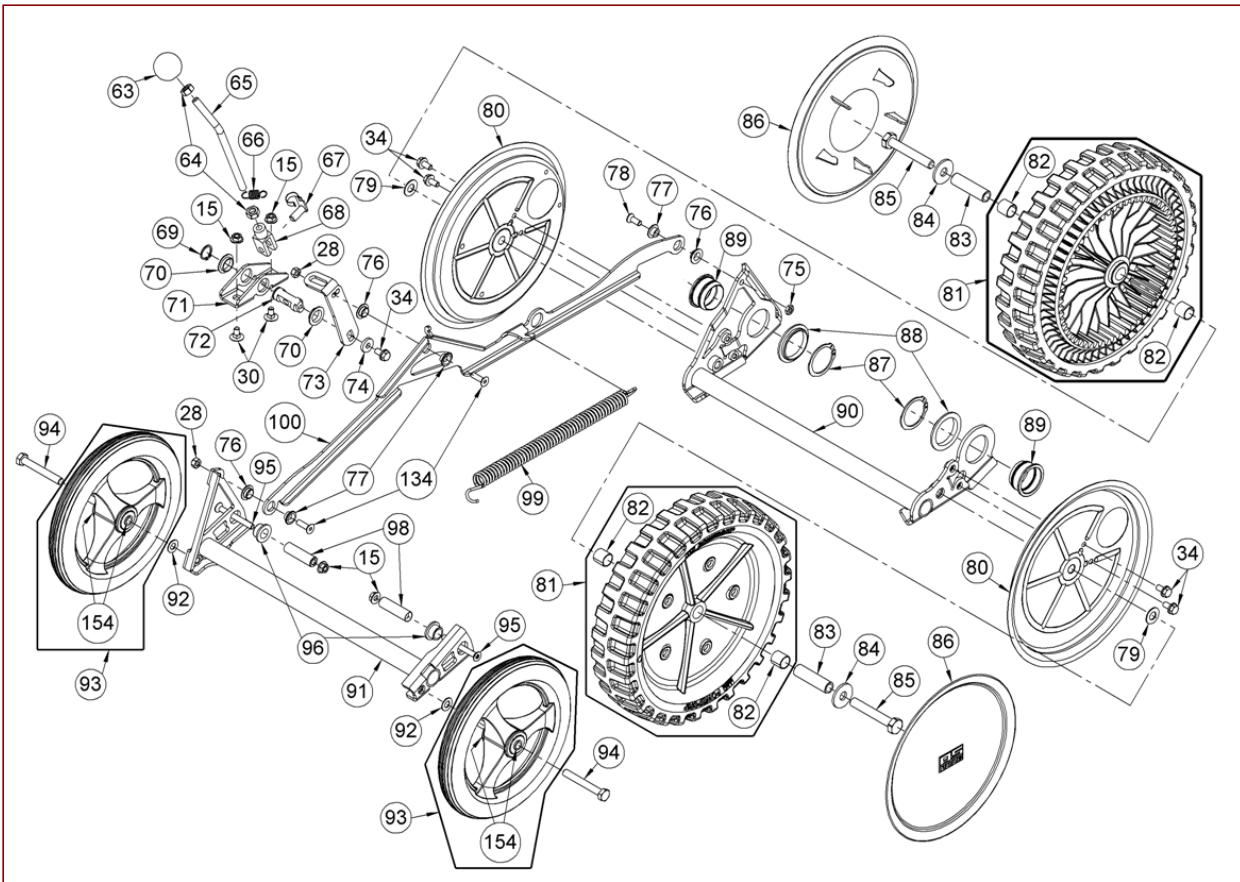
| Pos | Art-Nr. | E-Nr. | Menge | Beschreibung | Modell | Info |
|-----|-----------|--------|-------|--|--------|------|
| 15 | G00007041 | E05975 | 16 | Selflocking nut with serrated bearing (3 | | |
| 22 | G51020028 | E11852 | 1 | Strip | | |
| 29 | G00009094 | E07247 | 10 | Locking screw (2 Stk.) | | |
| 30 | G07827008 | E04991 | 4 | Mushroom head square neck bolt (3 Stk.) | | |
| 32 | G51022004 | E11861 | 1 | Bowden cable counter holder | | |
| 33 | G51026001 | E11873 | 1 | Belt covering | | |
| 34 | G00009016 | E04631 | 4 | Hexagon screw with serration (5 Stk.) | | |
| 35 | G00009149 | E10597 | 6 | Self-tapping Torx screw (10 Stk.) | | |
| 36 | G04825005 | E10431 | 2 | Belt pulley | | |
| 37 | G07857049 | E11800 | 1 | V-belt | | |
| 38 | G07857048 | E11799 | 1 | V-belt | | |
| 39 | G07853010 | E03121 | 1 | Spring pin (20 Stk.) | | |
| 40 | G51025001 | E11870 | 1 | Belt pulley hub | | |
| 41 | G51030002 | E11876 | 1 | Transmission holder | | |
| 42 | G00020167 | E11836 | 1 | Drive cable | | |
| 43 | G07846002 | E01932 | 3 | Self-locking hex nut (5 Stk.) | | |
| 44 | G51030003 | E11877 | 1 | Transmission retaining plate | | |
| 45 | G51030001 | E11875 | 1 | Transmission | | |
| 46 | G04225004 | E04680 | 2 | Needle roller | | |
| 47 | G07830030 | E06988 | 2 | Deep groove ball bearing | | |
| 48 | G04530055 | E06911 | 1 | Pinion left | | |
| 49 | G04530054 | E06910 | 1 | Pinion right | | |
| 50 | G07822005 | E03229 | 2 | Circlip for shaft (10 Stk.) | | |
| 51 | G07822002 | E02650 | 1 | Circlip for shaft (5 Stk.) | | |
| 52 | G07847008 | E02649 | 1 | Supporting disc (5 Stk.) | | |
| 53 | G07830014 | E04345 | 2 | Deep groove ball bearing | | |
| 55 | G04325038 | E04344 | 1 | Vario disc with ball bearing | | |
| 56 | G04325106 | E05515 | 1 | Thrust washer | | |
| 57 | G04325105 | E05457 | 2 | Bearing washer (3 Stk.) | | |
| 58 | G51025003 | E11872 | 1 | Swivel lever | | |
| 59 | G00002011 | E04343 | 1 | Draw spring | | |
| 60 | G51025002 | E11871 | 1 | Adjusting plate | | |
| 61 | G00020169 | E11838 | 1 | Vario cable | | |



AS 510 4T A and AS 510 A ProClip – ET documentation – Cutting-height adjustment to serial No. 022711109999

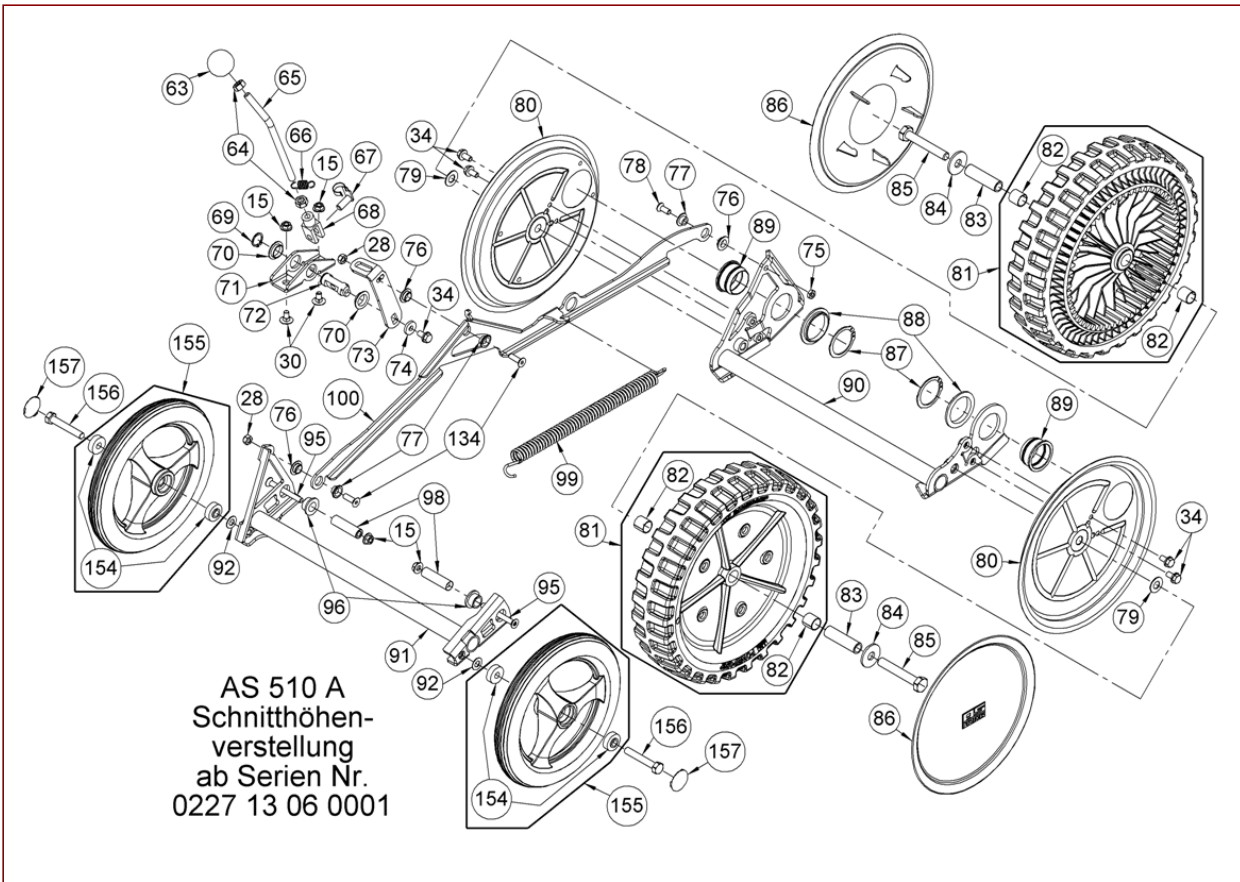
| Pos | Art-Nr. | E-Nr. | Menge | Beschreibung | Modell | Info |
|-----|----------------------|-------------------|-------|--|--------|------|
| 15 | G00007041 | E05975 | 4 | Selflocking nut with serrated bearing (3 | | |
| 28 | G07906002 | E06667 | 2 | Self-locking hex nut (10 Stk.) | | |
| 30 | G07827008 | E04991 | 2 | Mushroom head square neck bolt (3 Stk.) | | |
| 34 | G00009016 | E04631 | 5 | Hexagon screw with serration (5 Stk.) | | |
| 63 | G07917001 | E07245 | 1 | Spherical button | | |
| 64 | G07839003 | E01906 | 1 | Hex nut (10 Stk.) | | |
| 65 | G51020013 | E11844 | 1 | Height adjustment lever | | |
| 66 | G00002073 | E11882 | 1 | Draw spring | | |
| 67 | G00039005 | E08459 | 1 | Folding spring bolt | | |
| 68 | G07925005 | E11879 | 1 | Fork head | | |
| 69 | G07822007 | E04326 | 1 | Circlip for shaft (20 Stk.) | | |
| 70 | G00028060 | E11806 | 2 | Friction bearing with collar | | |
| 71 | G51020010 | E11841 | 1 | Height adjustment bearing | | |
| 72 | G51020011 | E11842 | 1 | Height adjustment pin | | |
| 73 | G51020012 | E11843 | 1 | Height adjustment guide lever | | |
| 74 | G07861005 | E07877 | 1 | Disc (2 Stk.) | | |
| 75 | G07818004 | E03917 | 1 | Hex nut (10 Stk.) | | |
| 76 | G00028061 | E11881 | 3 | Friction bearing with collar (3 Stk.) | | |
| 77 | G00024053 | E11805 | 3 | Bearing bush | | |
| 78 | G00009105 | E08066 | 1 | Countersunk screw with inside Torx | | |
| 79 | G07856005 | E03483 | 2 | Disc spring (5 Stk.) | | |
| 80 | G51021010 | E11858 | 2 | Cover plate | | |
| 81 | G04521015 | E05269 | 2 | Wheel complete | | |
| 82 | G00028005 | E04601 | 4 | DU bush | | |
| 83 | G06121007 | E04185 | 2 | Bearing sleeve | | |
| 84 | G07880001 | E01980 | 2 | Disc (10 Stk.) | | |
| 85 | G07837011 | E04186 | 2 | Hexagon screw (3 Stk.) | | |
| 86 | G04521014 | E05271 | 2 | Wheel trim | | |
| 87 | G07822019 | E10461 | 2 | Circlip for shaft (10 Stk.) | | |
| 88 | G00028048 | E10433 | 2 | Friction bearing with collar | | |
| 89 | G51020018 | E11848 | 2 | Bearing sleeve | | |
| 90 | G51021007 | E11856 | 1 | Rear wheel axle | | |
| 91 | G51021004 | E11855 | 1 | Front wheel axle | | |
| 92 | G07856010 | E04337 | 2 | Disc spring (5 Stk.) | | |
| 93 | G51021009 | E11857 | 2 | Replaced by E13052 | | |
| | G51080004 | E13052 | 1 | Wheel Ø200 + screw + cap | | |
| 94 | G07837057 | E06760 | 2 | Hexagon screw (5 Stk.) | | |
| 95 | G00009162 | E11802 | 2 | Countersunk screw with inside Torx (10 S | | |
| 96 | G00028041 | E07043 | 2 | Friction bearing with collar | | |
| 97 | G00024054 | E11880 | 2 | Sleeve | | |
| 98 | G51020017 | E11847 | 2 | Front wheel axle bearing studs | | |
| 99 | G00002025 | E05547 | 1 | Relieving spring | | |
| 100 | G51020009 | E11840 | 1 | Height adjustment rod | | |
| 134 | G07879001 | E04342 | 2 | Countersunk screw with hexagon socket (5 | | |
| 154 | G51050003 | E12739 | 4 | Ball bearing (2 Stk.) | | |

AS 510 4T A and AS 510 A ProClip – ET documentation – Cutting-height adjustment from serial No.022711110001



AS 510 4T A and AS 510 A ProClip – ET documentation – Cutting-height adjustment from serial No.022711110001

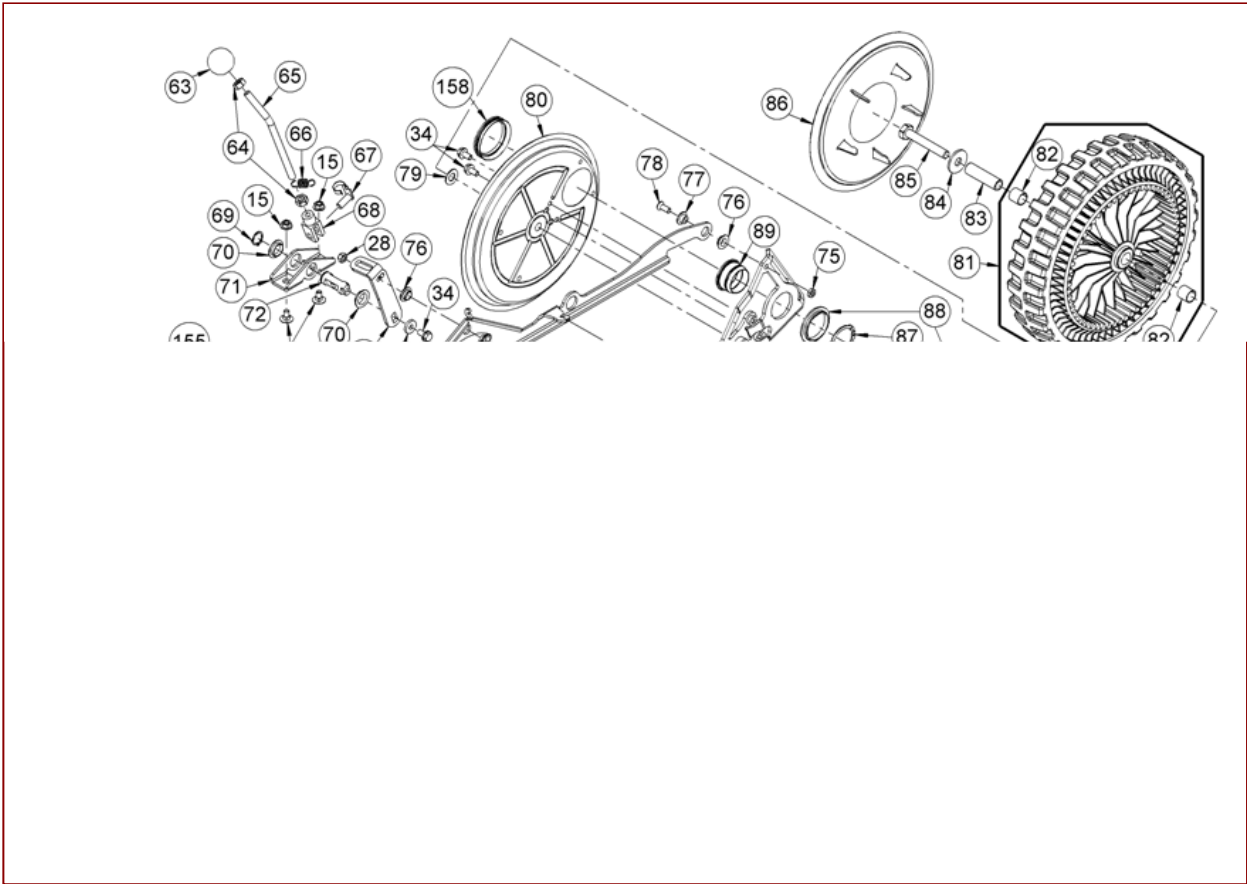
| Pos | Art-Nr. | E-Nr. | Menge | Beschreibung | Modell | Info |
|-----|----------------------|-------------------|-------|--|--------|------|
| 15 | G00007041 | E05975 | 4 | Selflocking nut with serrated bearing (3 | | |
| 28 | G07906002 | E06667 | 2 | Self-locking hex nut (10 Stk.) | | |
| 30 | G07827008 | E04991 | 2 | Mushroom head square neck bolt (3 Stk.) | | |
| 34 | G00009016 | E04631 | 5 | Hexagon screw with serration (5 Stk.) | | |
| 63 | G07917001 | E07245 | 1 | Spherical button | | |
| 64 | G07839003 | E01906 | 1 | Hex nut (10 Stk.) | | |
| 65 | G51020013 | E11844 | 1 | Height adjustment lever | | |
| 66 | G00002073 | E11882 | 1 | Draw spring | | |
| 67 | G00039005 | E08459 | 1 | Folding spring bolt | | |
| 68 | G07925005 | E11879 | 1 | Fork head | | |
| 69 | G07822007 | E04326 | 1 | Circlip for shaft (20 Stk.) | | |
| 70 | G00028060 | E11806 | 2 | Friction bearing with collar | | |
| 71 | G51020010 | E11841 | 1 | Height adjustment bearing | | |
| 72 | G51020011 | E11842 | 1 | Height adjustment pin | | |
| 73 | G51020012 | E11843 | 1 | Height adjustment guide lever | | |
| 74 | G07861005 | E07877 | 1 | Disc (2 Stk.) | | |
| 75 | G07818004 | E03917 | 1 | Hex nut (10 Stk.) | | |
| 76 | G00028061 | E11881 | 3 | Friction bearing with collar (3 Stk.) | | |
| 77 | G00024053 | E11805 | 3 | Bearing bush | | |
| 78 | G00009105 | E08066 | 1 | Countersunk screw with inside Torx | | |
| 79 | G07856005 | E03483 | 2 | Disc spring (5 Stk.) | | |
| 80 | G51021010 | E11858 | 2 | Cover plate | | |
| 81 | G04521015 | E05269 | 2 | Wheel complete | | |
| 82 | G00028005 | E04601 | 4 | DU bush | | |
| 83 | G06121007 | E04185 | 2 | Bearing sleeve | | |
| 84 | G07880001 | E01980 | 2 | Disc (10 Stk.) | | |
| 85 | G07837011 | E04186 | 2 | Hexagon screw (3 Stk.) | | |
| 86 | G04521014 | E05271 | 2 | Wheel trim | | |
| 87 | G07822019 | E10461 | 2 | Circlip for shaft (10 Stk.) | | |
| 88 | G00028048 | E10433 | 2 | Friction bearing with collar | | |
| 89 | G51020018 | E11848 | 2 | Bearing sleeve | | |
| 90 | G51021007 | E11856 | 1 | Rear wheel axle | | |
| 91 | G51021004 | E11855 | 1 | Front wheel axle | | |
| 92 | G07856010 | E04337 | 2 | Disc spring (5 Stk.) | | |
| 93 | G51021009 | E11857 | 2 | Replaced by E13052 | | |
| | G51080004 | E13052 | 1 | Wheel Ø200 + screw + cap | | |
| 94 | G07837057 | E06760 | 2 | Hexagon screw (5 Stk.) | | |
| 95 | G00009162 | E11802 | 2 | Countersunk screw with inside Torx (10 S | | |
| 96 | G00028041 | E07043 | 2 | Friction bearing with collar | | |
| 98 | G51020017 | E11847 | 2 | Front wheel axle bearing studs | | |
| 99 | G00002025 | E05547 | 1 | Relieving spring | | |
| 100 | G51020009 | E11840 | 1 | Height adjustment rod | | |
| 134 | G07879001 | E04342 | 2 | Countersunk screw with hexagon socket (5 | | |
| 154 | G51050003 | E12739 | 4 | Ball bearing (2 Stk.) | | |



AS 510 4T A and AS 510 A ProClip – ET documentation – Cutting-height adjustment from serial No.022713060001

| Pos | Art-Nr. | E-Nr. | Menge | Beschreibung | Modell | Info |
|-----|-----------|--------|-------|--|--------|------|
| 15 | G00007041 | E05975 | 4 | Selflocking nut with serrated bearing (3 | | |
| 28 | G07906002 | E06667 | 2 | Self-locking hex nut (10 Stk.) | | |
| 30 | G07827008 | E04991 | 2 | Mushroom head square neck bolt (3 Stk.) | | |
| 34 | G00009016 | E04631 | 5 | Hexagon screw with serration (5 Stk.) | | |
| 63 | G07917001 | E07245 | 1 | Spherical button | | |
| 64 | G07839003 | E01906 | 1 | Hex nut (10 Stk.) | | |
| 65 | G51020013 | E11844 | 1 | Height adjustment lever | | |
| 66 | G00002073 | E11882 | 1 | Draw spring | | |
| 67 | G00039005 | E08459 | 1 | Folding spring bolt | | |
| 68 | G07925005 | E11879 | 1 | Fork head | | |
| 69 | G07822007 | E04326 | 1 | Circlip for shaft (20 Stk.) | | |
| 70 | G00028060 | E11806 | 2 | Friction bearing with collar | | |
| 71 | G51020010 | E11841 | 1 | Height adjustment bearing | | |
| 72 | G51020011 | E11842 | 1 | Height adjustment pin | | |
| 73 | G51020012 | E11843 | 1 | Height adjustment guide lever | | |
| 74 | G07861005 | E07877 | 1 | Disc (2 Stk.) | | |
| 75 | G07818004 | E03917 | 1 | Hex nut (10 Stk.) | | |
| 76 | G00028061 | E11881 | 3 | Friction bearing with collar (3 Stk.) | | |
| 77 | G00024053 | E11805 | 3 | Bearing bush | | |
| 78 | G00009105 | E08066 | 1 | Countersunk screw with inside Torx | | |
| 79 | G07856005 | E03483 | 2 | Disc spring (5 Stk.) | | |
| 80 | G51021010 | E11858 | 2 | Cover plate | | |
| 81 | G04521015 | E05269 | 2 | Wheel complete | | |
| 82 | G00028005 | E04601 | 4 | DU bush | | |
| 83 | G06121007 | E04185 | 2 | Bearing sleeve | | |
| 84 | G07880001 | E01980 | 2 | Disc (10 Stk.) | | |
| 85 | G07837011 | E04186 | 2 | Hexagon screw (3 Stk.) | | |
| 86 | G04521014 | E05271 | 2 | Wheel trim | | |
| 87 | G07822019 | E10461 | 2 | Circlip for shaft (10 Stk.) | | |
| 88 | G00028048 | E10433 | 2 | Friction bearing with collar | | |
| 89 | G51020018 | E11848 | 2 | Bearing sleeve | | |
| 90 | G51021007 | E11856 | 1 | Rear wheel axle | | |
| 91 | G51021004 | E11855 | 1 | Front wheel axle | | |
| 92 | G07856010 | E04337 | 2 | Disc spring (5 Stk.) | | |
| 95 | G00009162 | E11802 | 2 | Countersunk screw with inside Torx (10 S | | |
| 96 | G00028041 | E07043 | 2 | Friction bearing with collar | | |
| 98 | G51020017 | E11847 | 2 | Front wheel axle bearing studs | | |
| 99 | G00002025 | E05547 | 1 | Relieving spring | | |
| 100 | G51020009 | E11840 | 1 | Height adjustment rod | | |
| 134 | G07879001 | E04342 | 2 | Countersunk screw with hexagon socket (5 | | |
| 154 | G51050003 | E12739 | 4 | Ball bearing (2 Stk.) | | |
| 155 | G53121017 | E12408 | 2 | Wheel Ø 200 | | |
| 156 | G07837020 | E03924 | 2 | Hexagon screw (4 Stk.) | | |
| 157 | G53121018 | E12409 | 2 | Cap for wheel Ø 200 | | |

AS 510 4T A and AS 510 A ProClip – ET documentation – Cutting-height adjustment from serial No.022715050001



AS 510 4T A and AS 510 A ProClip – ET documentation – Cutting-height adjustment from serial No.022715050001

| Pos | Art-Nr. | E-Nr. | Menge | Beschreibung | Modell | Info |
|-----|-----------|--------|-------|--|--------|------|
| 15 | G00007041 | E05975 | 4 | Selflocking nut with serrated bearing (3 | | |
| 28 | G07906002 | E06667 | 2 | Self-locking hex nut (10 Stk.) | | |
| 30 | G07827008 | E04991 | 2 | Mushroom head square neck bolt (3 Stk.) | | |
| 34 | G00009016 | E04631 | 5 | Hexagon screw with serration (5 Stk.) | | |
| 63 | G07917001 | E07245 | 1 | Spherical button | | |
| 64 | G07839003 | E01906 | 1 | Hex nut (10 Stk.) | | |
| 65 | G51020013 | E11844 | 1 | Height adjustment lever | | |
| 66 | G00002073 | E11882 | 1 | Draw spring | | |
| 67 | G00039005 | E08459 | 1 | Folding spring bolt | | |
| 68 | G07925005 | E11879 | 1 | Fork head | | |
| 69 | G07822007 | E04326 | 1 | Circlip for shaft (20 Stk.) | | |
| 70 | G00028060 | E11806 | 2 | Friction bearing with collar | | |
| 71 | G51020010 | E11841 | 1 | Height adjustment bearing | | |
| 72 | G51020011 | E11842 | 1 | Height adjustment pin | | |
| 73 | G51020012 | E11843 | 1 | Height adjustment guide lever | | |
| 74 | G07861005 | E07877 | 1 | Disc (2 Stk.) | | |
| 75 | G07818004 | E03917 | 1 | Hex nut (10 Stk.) | | |
| 76 | G00028061 | E11881 | 3 | Friction bearing with collar (3 Stk.) | | |
| 77 | G00024053 | E11805 | 3 | Bearing bush | | |
| 78 | G00009105 | E08066 | 1 | Countersunk screw with inside Torx | | |
| 79 | G07856005 | E03483 | 2 | Disc spring (5 Stk.) | | |
| 80 | G51021010 | E11858 | 2 | Cover plate | | |
| 81 | G04521015 | E05269 | 2 | Wheel complete | | |
| 82 | G00028005 | E04601 | 4 | DU bush | | |
| 83 | G06121007 | E04185 | 2 | Bearing sleeve | | |
| 84 | G07880001 | E01980 | 2 | Disc (10 Stk.) | | |
| 85 | G07837011 | E04186 | 2 | Hexagon screw (3 Stk.) | | |
| 86 | G04521014 | E05271 | 2 | Wheel trim | | |
| 87 | G07822019 | E10461 | 2 | Circlip for shaft (10 Stk.) | | |
| 88 | G00028048 | E10433 | 2 | Friction bearing with collar | | |
| 89 | G51020018 | E11848 | 2 | Bearing sleeve | | |
| 90 | G51021007 | E11856 | 1 | Rear wheel axle | | |
| 91 | G51021004 | E11855 | 1 | Front wheel axle | | |
| 92 | G07856010 | E04337 | 2 | Disc spring (5 Stk.) | | |
| 95 | G00009162 | E11802 | 2 | Countersunk screw with inside Torx (10 S | | |
| 96 | G00028041 | E07043 | 2 | Friction bearing with collar | | |
| 98 | G51020017 | E11847 | 2 | Front wheel axle bearing studs | | |
| 99 | G00002025 | E05547 | 1 | Relieving spring | | |
| 100 | G51020009 | E11840 | 1 | Height adjustment rod | | |
| 134 | G07879001 | E04342 | 2 | Countersunk screw with hexagon socket (5 | | |
| 154 | G51050003 | E12739 | 4 | Ball bearing (2 Stk.) | | |
| 155 | G53121017 | E12408 | 2 | Wheel Ø 200 | | |
| 156 | G07837020 | E03924 | 2 | Hexagon screw (4 Stk.) | | |
| 157 | G53121018 | E12409 | 2 | Cap for wheel Ø 200 | | |
| 158 | G00008201 | E13161 | 2 | Rot. shaft seal ring | | |



| Pos.Nr. | ET-Nr. | Benennung |
|---------|--------|------------------------|
| 1 | E12773 | Aufkleber - Set AS 510 |

AS 510/ AS 420/ AS 470 Mulching mower – AS 510 2T A and AS 510 A/2T ProClip – Instruction plate - set

| Pos | Art-Nr. | E-Nr. | Menge | Beschreibung | Modell | Info |
|------------|----------------|--------------|--------------|--------------------------------|---------------|-------------|
| 1 | G51080003 | E12773 | 1 | Instruction plate - set AS 510 | | |