



## Ersatzteile

AS 30 WeedHex 140

- from serial No. 028716100001 Series start

Seriennummer, Серийен номер, Sériové číslo, Serial number, Número de serie, Sarjanumero, Numéro de série, Serijski broj, Sorozatszám, Numero di serie, Serijos numeris, Seriennummer, Numer seryjny, Serijska številka

-----

DE Hier Aufkleber aus Garantiekarte aufkleben.  
BG Залепете тук стикери от гаранционната Карта.  
CZ Sem nalepte nálepku ze záručního listu.  
DK Her skal mærkaten fra garantikortet klæbes på.  
GB Please adhere the sticker from the warranty card here.  
ES Pegar aquí el adhesivo de la tarjeta de garantía.  
FI Liimaa takuukortin tarra tähän.  
FR Collez ici l'autocollant placé sur la carte de garantie .  
HR Ovdje zalijepite naljepnicu iz jamstvenog lista.

HU Ide ragassza a matricát a garanciakártyából.  
IT Applicare qui l'etichetta, come scheda di garanzia.  
LT Čia užklijuokite garantijos pase pateiktą lipduką.  
NL Plak hier sticker uit garantiekaart.  
NO Lim klistremerke fra garantikortet inn her.  
PL Tutaj nakleić naklejkę na kartę gwarancyjną.  
SL Tukaj nalepite nalepko z garancijskega lista.  
SE Klistra fast etiketten från garantikortet här.

Ab Serien Nr.: from serial No. 028716100001 Series start

Ausgabe: 21.01.2020, EN

AS-Motor Germany GmbH & Co. KG  
Ellwanger Straße 15  
D-74424 Bühlertann  
Telefon 07973-9123-0  
Telefax 07973-9123-259  
www.as-motor.de

## **If you need spare parts:**

1. Send your order to your AS-Motor dealer.
2. In order to get you the right spare part he needs:
  - **Model name (s. sticker on the machine)**
  - **Serial No. of machine (sticker or S/N lable)**
  - **Articlenumber**
  - **Your dealer orders part in our online system parts and more.**

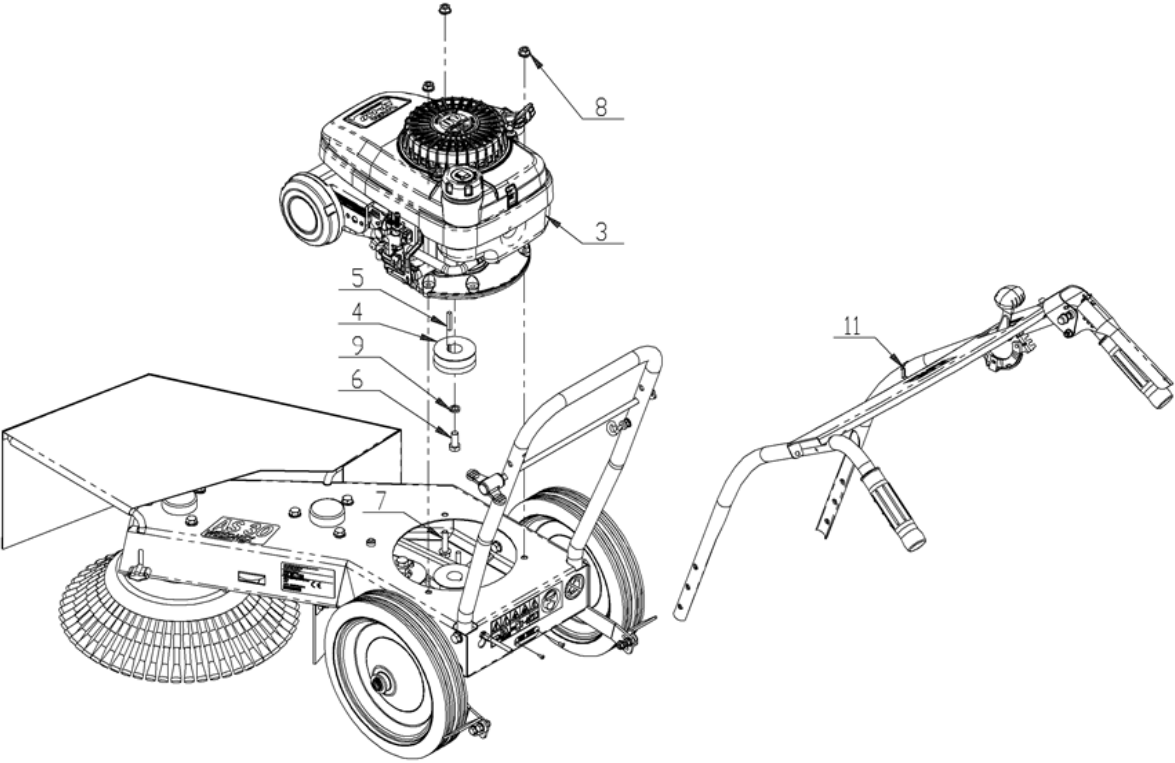
Only in this case you receive all important information about proper spare parts and possible technical changes.

Please fulfil only maintenance tasks mentioned in the owner manual by yourself. All other tasks have to be done by authorised AS-Motor dealer.

Subject to change without notice.

Images may show differences from the machines in production.

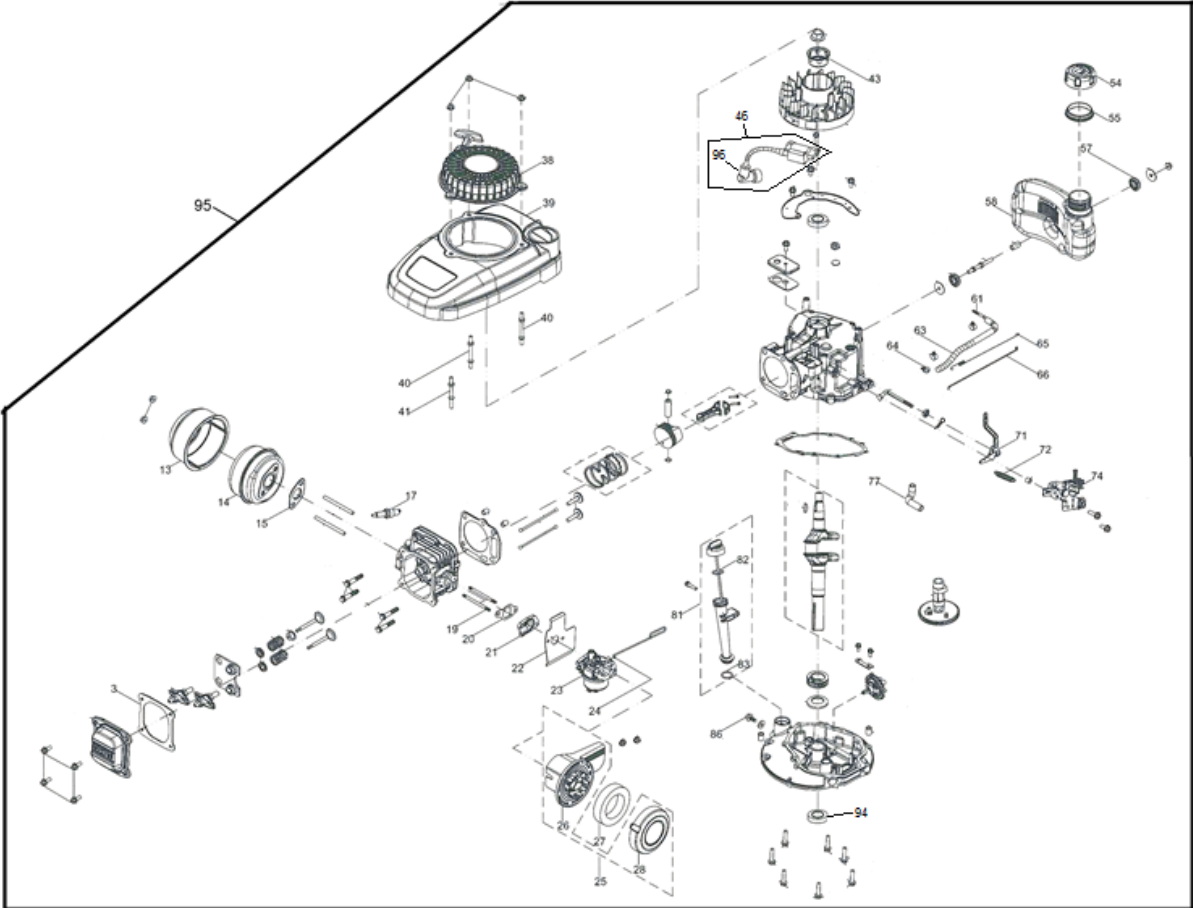
Frame 1



# Frame 1

<b>Item</b>	<b>Part-No.</b>		<b>Quantity</b>	<b>Description</b>
3	G07351042	G07351042	1	Engine Zongshen XP-140
4	G07352001	G07352001	1	Engine belt pulley
5	G05950026	E11445	1	Feather key
6	G05950025	E11444	1	Inch screw
7	G07352034	G07352034	3	Screw
8	G00007042	E06037	3	Selflocking nut with serrated bearing (3
9	G07811010	E01954	1	Spring washer (20 Stk.)
11	G00026031	E12218	4	Cable tape (5 Stk.)

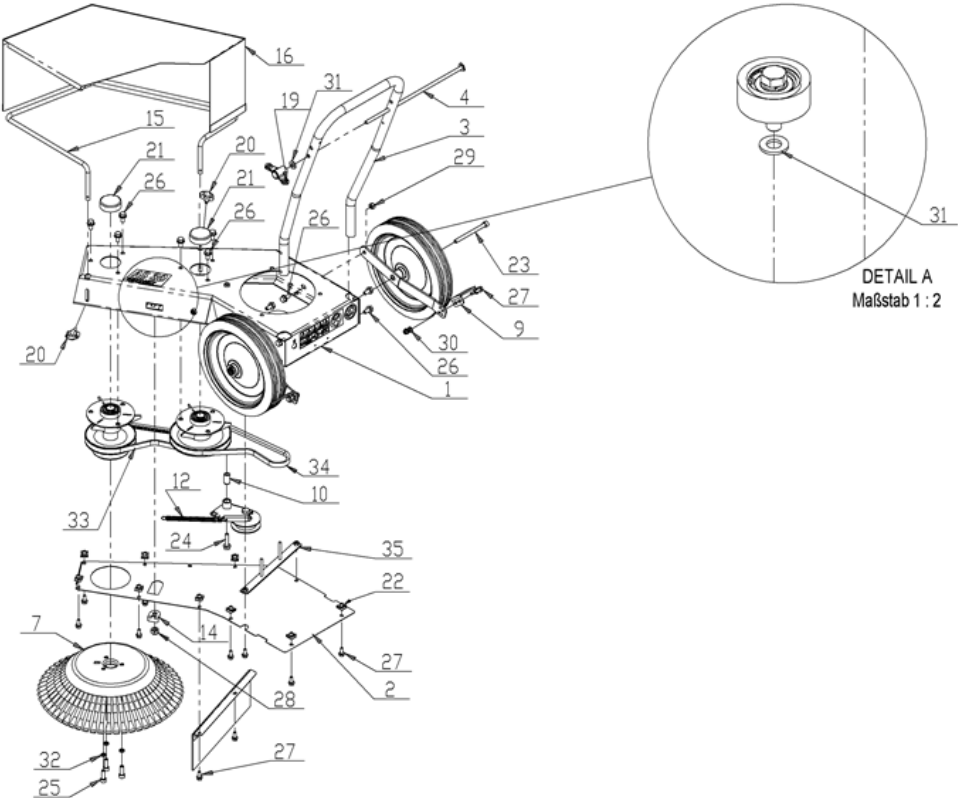
Motor



# Motor

Item	Part-No.		Quantity	Description
3	G07351001	G07351001	1	Rocker cover gasket
13	G07351002	G07351002	1	Exhaust pipe guard
14	G07351003	G07351003	1	Exhaust muffler
15	G07351004	G07351004	1	Exhaust gasket
17	G07351041	G07351041	1	Spark plug
19	G07351005	G07351005	2	Stay pin
20	G07351006	G07351006	1	Insulating plate
21	G07351007	G07351007	1	insulator
22	G07351008	G07351008	1	Carburetor gasket
23	G07351009	G07351009	1	Carburetor
24	G07351010	G07351010	1	Choke lever
25	G07351011	G07351011	1	Air filter
26	G07351012	G07351012	1	Air filter housing
27	G07351013	G07351013	1	Filter insert
28	G07351014	G07351014	1	Cover for air filter
38	G07351016	G07351016	1	Starter
39	G07351017	G07351017	1	Engine cover
40	G07351018	G07351018	2	Stay pin
41	G07351019	G07351019	1	Stay pin
43	G07351020	G07351020	1	Tappet
46	G07351021	G07351021	1	Spark coil
54	G07351022	G07351022	1	Tank cap
55	G07351023	G07351023	1	Tank cap seal
57	G07351024	G07351024	2	Seal
58	G07351025	G07351025	1	Fuel tank
61	G07351026	G07351026	1	Gasoline filter
63	G07351027	G07351027	1	Fuel hose
64	G07351028	G07351028	1	Hose clip
65	G07351029	G07351029	1	Return spring
66	G07351030	G07351030	1	Rod
71	G07351031	G07351031	1	Speed controller rod
72	G07351032	G07351032	1	Speed control spring
74	G07351033	G07351033	1	Speed controler
77	G07351035	G07351035	1	Vent hose
81	G07351037	G07351037	1	Oildipstick with fill pipe
82	G07351038	G07351038	1	O-ring
83	G07351039	G07351039	1	O-Ring
86	G07351040	G07351040	1	Drain plug
94	G07351043	G07351043	1	Seal ring
95	G07351042	G07351042	1	Engine Zongshen XP-140
96	G07351044	G07351044	1	Spark plug connector

# Frame 2

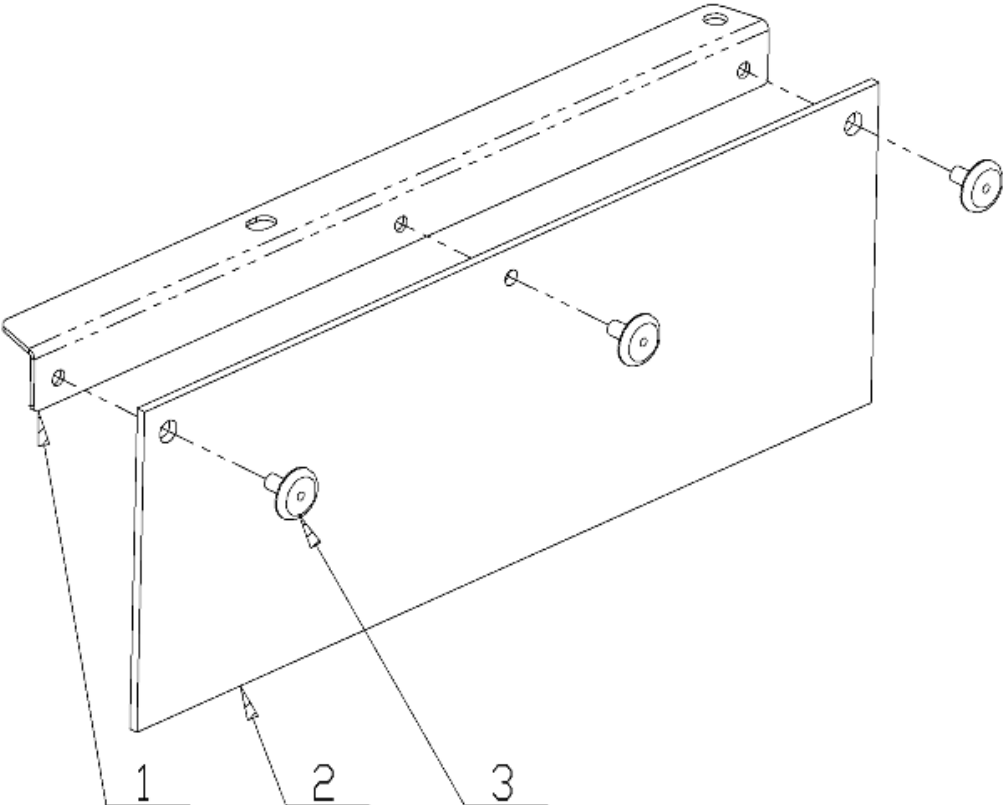


## Frame 2

Item	Part-No.		Quantity	Description
1	G07352002	G07352002	1	Frame
2	G07352003	G07352003	1	Base plate
3	G07352004	G07352004	1	Lower bar
4	G07352005	G07352005	1	screw
7	G07323029	G07323029	1	Plate brush steel AS 30
9	G07352006	G07352006	2	wippers
10	G07352007	G07352007	1	bushing
12	G07352008	G07352008	1	Draw spring
14	G07352009	G07352009	1	Special disc
15	<del>G07352010</del>	<del>G07352010</del>	1	Replaced by G07382001
<del>15</del>	G07382001	G07382001	1	Protective cloth set for front
16	<del>G07352011</del>	<del>G07352011</del>	1	Replaced by G07382001
<del>16</del>	G07382001	G07382001	1	Protective cloth set for front
19	G05950029	E11448	1	Wing nut
20	G07352012	G07352012	2	Wing Screw
21	G07352013	G07352013	2	Covering cap
22	G07352014	G07352014	10	Nut
23	G07352035	G07352035	2	Screw
24	G07352034	G07352034	1	Screw
25	G07833004	E04249	3	Hexagon socket head cap screw (3 Stk.)
26	G07352036	G07352036	12	Screw
27	G07913004	E10189	15	Hexagon screw with flange
28	G07846005	E01968	1	Self-locking hex nut (10 Stk.)
29	G07918002	E07669	2	Self-locking hex nut (2 Stk.)
30	G07932001	E10188	4	Hex nut
31	G05950075	E11518	2	Washer (10 Stk.)
32	G07811005	E01904	3	Spring washer (20 Stk.)
33	G07352015	G07352015	1	V-belt
34	G07352016	G07352016	1	V-belt
35	G07352017	G07352017	1	Belt guide



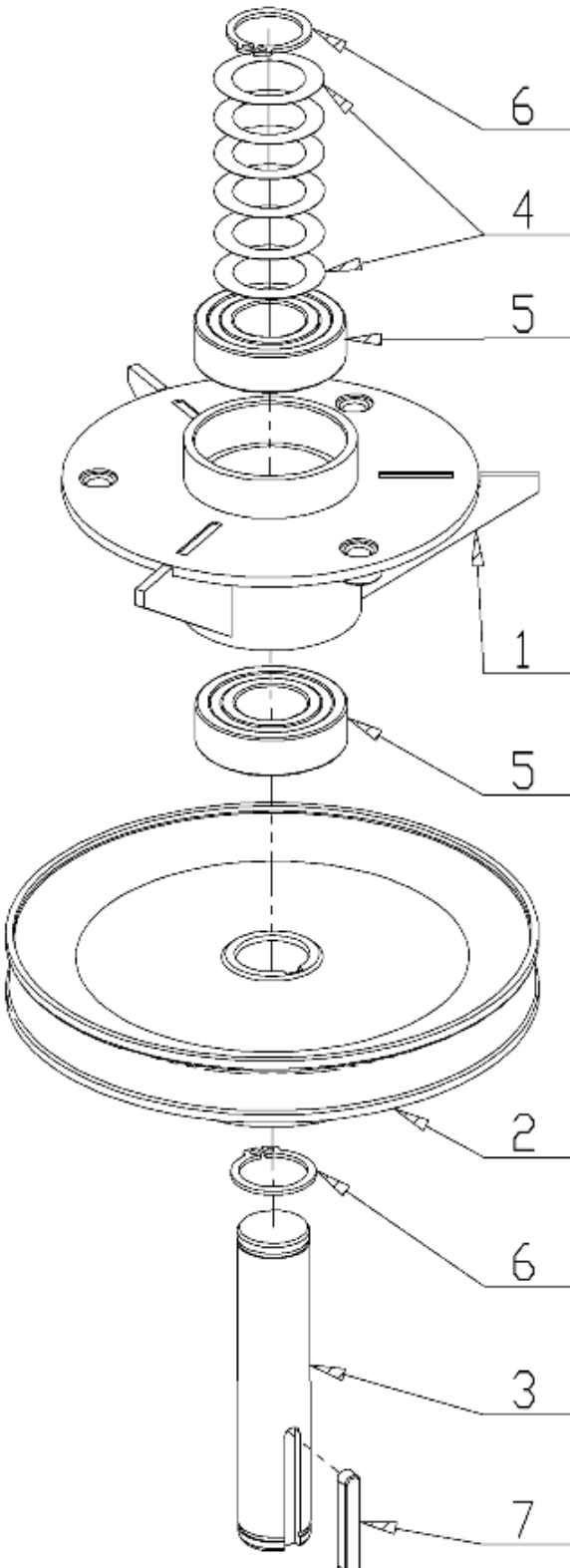
Protection skirt rear



## Protection skirt rear

Item	Part-No.		Quantity	Description
1	<del>G07352018</del>	<del>G07352018</del>	1	Replaced by G07382002
<del>3</del>	G07382002	G07382002	1	Protective cloth set in the back
2	<del>G07352019</del>	<del>G07352019</del>	1	Replaced by G07382002
<del>3</del>	G07382002	G07382002	1	Protective cloth set in the back
3	G05950036	E11455	3	Explosive rivet (6 Stk.)

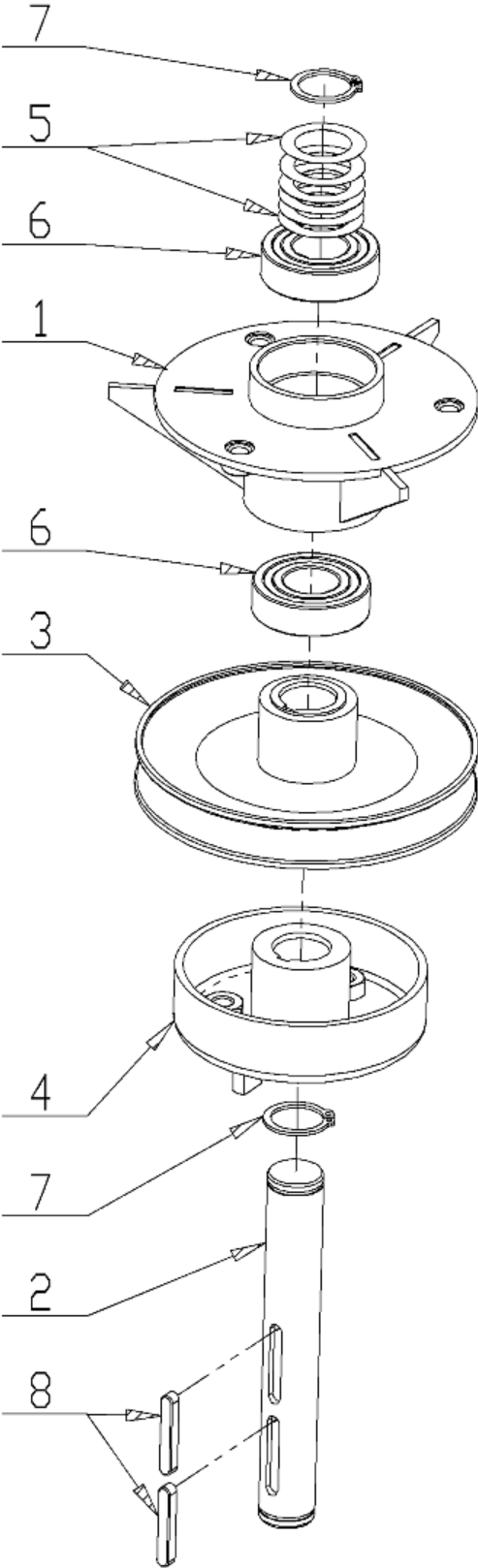
Intermediate shaft



## Intermediate shaft

<b>Item</b>	<b>Part-No.</b>		<b>Quantity</b>	<b>Description</b>
1	G07352020	G07352020	1	Bearing washer
2	G07352021	G07352021	1	Belt pulley
3	G07352022	G07352022	1	Intermediate shaft
4	G05950010	E11429	6	Distance washer
5	G07830022	E06161	2	Deep groove ball bearing
6	G07822012	E07552	2	Circlip for shaft (2 Stk.)
7	G07352023	G07352023	1	Feather key

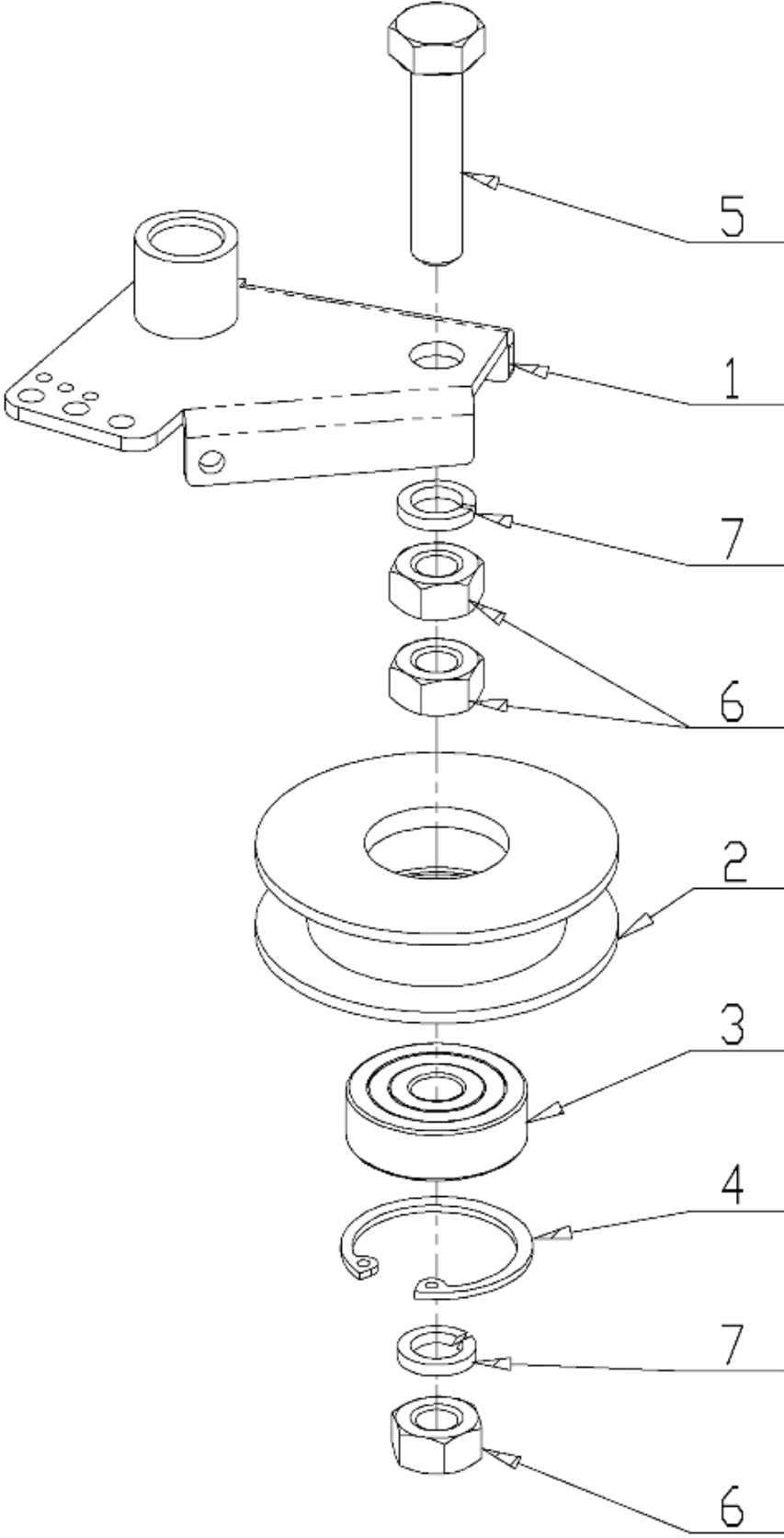
Brush shaft



## Brush shaft

<b>Item</b>	<b>Part-No.</b>		<b>Quantity</b>	<b>Description</b>
1	G07352020	G07352020	1	Bearing washer
2	G07352024	G07352024	1	Brush shaft
3	G07352025	G07352025	1	Belt pulley
4	G07352026	G07352026	1	Flange
5	G05950010	E11429	6	Distance washer
6	G07830022	E06161	2	Deep groove ball bearing
7	G07822012	E07552	2	Circlip for shaft (2 Stk.)
8	G07352023	G07352023	2	Feather key

Tensioning roller carrier

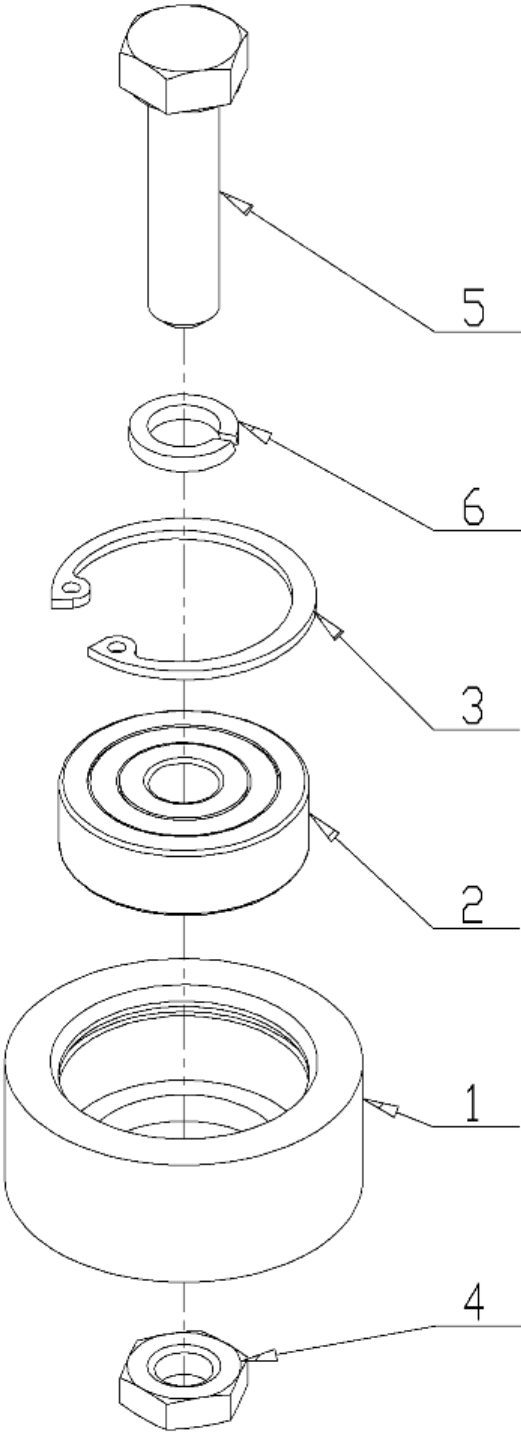


## Tensioning roller carrier

<b>Item</b>	<b>Part-No.</b>		<b>Quantity</b>	<b>Description</b>
1	G07352027	G07352027	1	Tensioning roller carrier
2	G05950045	E11468	1	Tension pulley
3	G07830012	E04329	1	Deep groove ball bearing
4	G07823011	E04330	1	Circlip for drilled hole (5 Stk.)
5	G07838091	G07838091	1	Hexagon screw
6	G07839008	E01953	3	Hex nut (10 Stk.)
7	G07811010	E01954	2	Spring washer (20 Stk.)



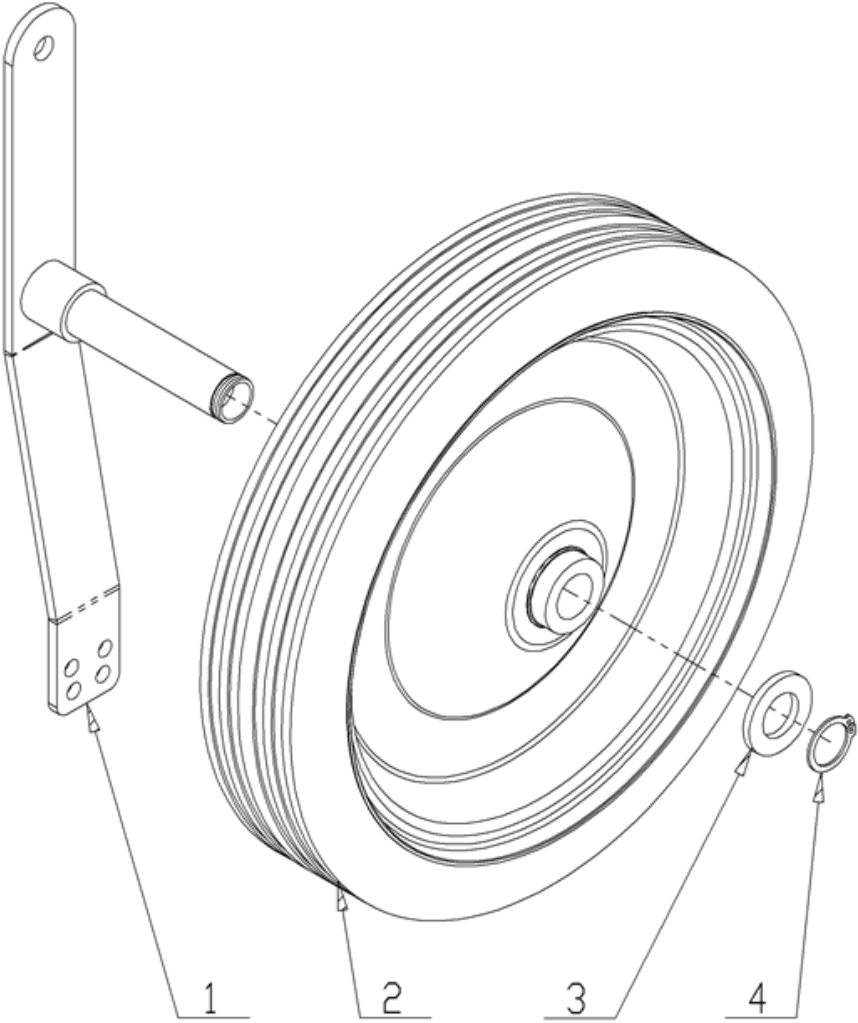
Belt tensioning pulley.



## Belt tensioning pulley.

<b>Item</b>	<b>Part-No.</b>		<b>Quantity</b>	<b>Description</b>
1	G05950047	E11470	1	Belt tensioning pulley
2	G07830012	E04329	1	Deep groove ball bearing
3	G07823011	E04330	1	Circlip for drilled hole (5 Stk.)
4	G05950076	E11519	1	Nut (5 Stk.)
5	G07838084	E11522	1	Hexagon screw
6	G07811010	E01954	1	Spring washer (20 Stk.)

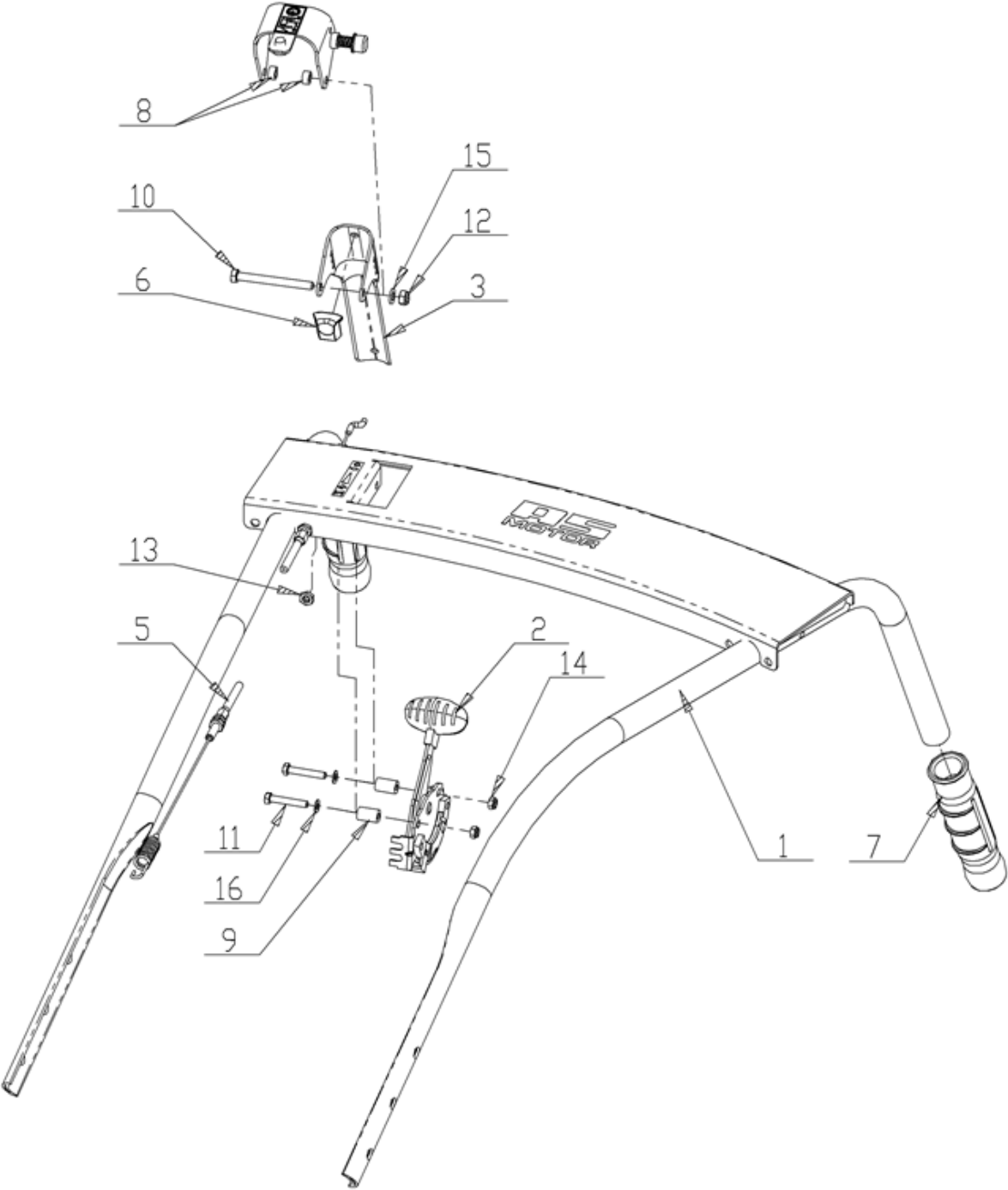
Wheel



## Wheel

<b>Item</b>	<b>Part-No.</b>		<b>Quantity</b>	<b>Description</b>
1	G07352028	G07352028	1	Wheel carrier
2	G07352029	G07352029	1	Wheel
3	G07809016	E12934	1	Disc
4	G07822016	E08664	1	Circlip for shaft

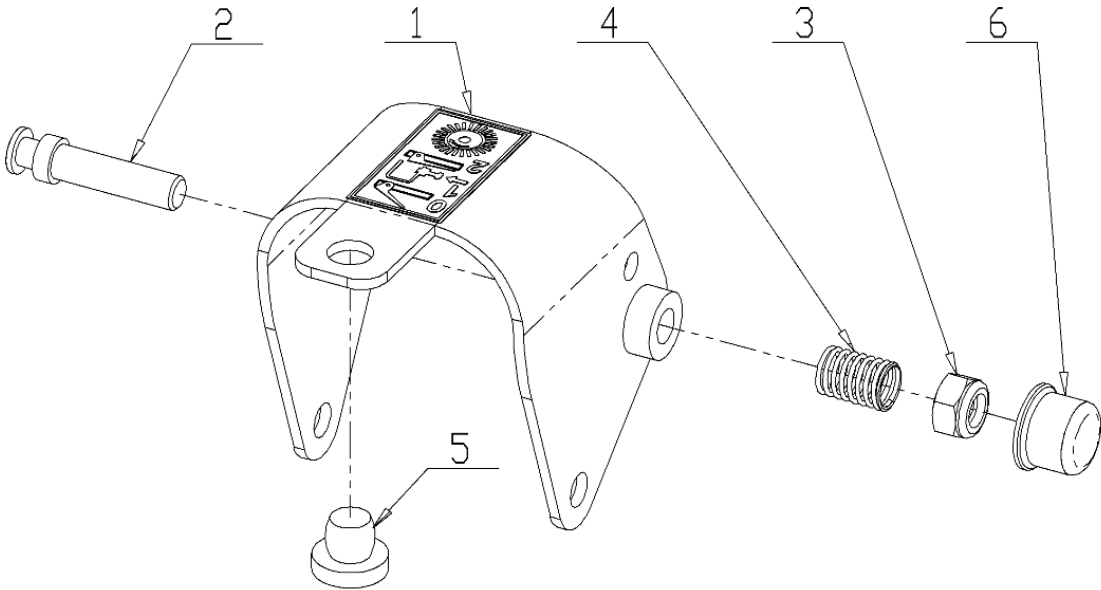
# Handlebar



## Handlebar

Item	Part-No.		Quantity	Description
1	G07352030	G07352030	1	Upper strut
2	G07352031	G07352031	1	Accelerator lever with throttle cable
3	G05950056	E11478	1	Operating lever
5	G05950064	E11486	1	Brake cable
6	G05950059	E11481	1	Rubber stop
7	G05950060	E11482	2	Handle
8	G05950065	E11487	2	Spacer sleeve (2 Stk.)
9	G07352032	G07352032	2	Spacer sleeve
10	G07837025	E04227	1	Hexagon screw
11	G07838092	G07838092	2	Hexagon screw
12	G07846008	E03829	1	Self-locking hex nut (10 Stk.)
13	G07818004	E03917	1	Hex nut (10 Stk.)
14	G07918006	E08174	2	Self-locking hex nut (5 Stk.)
15	G07809006	E01940	1	Disc (10 Stk.)
16	G07809003	E01181	2	Disc (20 Stk.)

Notch lever



## Notch lever

<b>Item</b>	<b>Part-No.</b>		<b>Quantity</b>	<b>Description</b>
1	G07352033	G07352033	1	Notch lever
2	G05950068	E11490	1	Notch lever bolt
3	G07846008	E03829	1	Self-locking hex nut (10 Stk.)
4	G05950067	E11489	1	Pressure spring
5	G05950070	E11492	1	Rubber buffer
6	G05950069	E11491	1	Covering cap



# Proposal for wear parts list

ET - Bereich - AS-Motor  
AS 1040 YAK 4WD  
ab FNr. 033118050001 Serienstart

Verschleißteilliste  
Reparaturteilliste  
Elektronische Anlage  
Schlagelwerk  
Interkabel

Stückliste: Verschleißteilliste  
Alle Artikel in den Warenkorb

Pos	Art.-Nr.	Art.-Nr. (bisher)	Menge (T)	Beschreibung	Info	Modell	Preis	% =>	Tech-Info
1	G90190003	G90190003	28 (1)	Schlagelmesser mit Befestigung					bearbeiten
2	G07857057	G07857057	1 (1)	Keilriemen					bearbeiten
3	G07857056	G07857056	1 (1)	Keilriemen					bearbeiten
4	G07857035	E08304	1 (1)	Hochleistungskeilriemen					bearbeiten
5	G90434008	G90434008	1 (1)	Bremsbelaghalter mit Bremsbelag					bearbeiten
6	G00041064	E12381	1 (10)	2x5L Kanister Öl Titan Supersyn SAE5W-50					bearbeiten
7	G00006067	G00006067	1 (1)	O-Ring					bearbeiten
8	G06950016	E11741	1 (1)	Dichtscheibe 10					bearbeiten
9	G06980002	E11530	1 (1)	Ölfilter+Deckel+Dichtungen					bearbeiten
10	G00006066	G00006066	1 (1)	O-Ring					bearbeiten

1 → Alle Artikel in den Warenkorb legen / Put all items in the cart / Mettre tous les articles dans le panier / Pon todos los articulos en el carrito / Поместить все запасные части в корзину

Bei Bedarf Artikel in der Zeichnung ansehen / If necessary, see the article in the drawing / Si nécessaire, regarder l'article dans l'eclaté / Si es necesario, ver el artículo en el dibujo / При необходимости см. запасную часть на чертеже:

2 → Klick auf Fernglas / Click on binoculars / Cliquez sur les jumelles / Haga clic en binoculares / Нажмите на бинокль

3 → Klick auf Artikel-Nummer bei Gerätemodell / Click on item number at according device model / Cliquez sur le numéro de pièce dans le modèle d'appareil / Haga clic en el número de artículo en el modelo de máquina / Нажмите на номер товара для модели устройства

partid... mone.org/kunden/see\_verbaud.php

3

## Proposal for wear parts list

<b>Item</b>	<b>Part-No.</b>		<b>Quantity</b>	<b>Description</b>
1	G07351041	G07351041	1	Spark plug
2	G07351013	G07351013	1	Filter insert
3	G07352015	G07352015	1	V-belt
4	G07352016	G07352016	1	V-belt
5	G05950064	E11486	1	Brake cable
6	G07323029	G07323029	1	Plate brush steel AS 30