



Ersatzteile

AS 30 WeedHex 160

- from serial No. 029917050001 Series start

Seriennummer, Серийен номер, Sériové číslo, Serial number, Número de serie, Sarjanumero, Numéro de série, Serijski broj, Sorozatszám, Numero di serie, Serijos numeris, Seriennummer, Numer seryjny, Serijska številka

DE Hier Aufkleber aus Garantiekarte aufkleben.
BG Залепете тук стикери от гаранционната Карта.
CZ Sem nalepte nálepku ze záručního listu.
DK Her skal mærkaten fra garantikortet klæbes på.
GB Please adhere the sticker from the warranty card here.
ES Pegar aquí el adhesivo de la tarjeta de garantía.
FI Liimaa takuukortin tarra tähän.
FR Collez ici l'autocollant placé sur la carte de garantie .
HR Ovdje zalijepite naljepnicu iz jamstvenog lista.

HU Ide ragassza a matricát a garanciakártyából.
IT Applicare qui l'etichetta, come scheda di garanzia.
LT Čia užklijuokite garantijos pase pateiktą lipduką.
NL Plak hier sticker uit garantiekaart.
NO Lim klistremerke fra garantikortet inn her.
PL Tutaj nakleić naklejkę na kartę gwarancyjną.
SL Tukaj nalepite nalepko z garancijskega lista.
SE Klistra fast etiketten från garantikortet här.

Ab Serien Nr.: from serial No. 029917050001 Series start

Ausgabe: 21.01.2020, EN

AS-Motor Germany GmbH & Co. KG
Ellwanger Straße 15
D-74424 Bühlertann
Telefon 07973-9123-0
Telefax 07973-9123-259
www.as-motor.de

If you need spare parts:

1. Send your order to your AS-Motor dealer.
2. In order to get you the right spare part he needs:
 - **Model name (s. sticker on the machine)**
 - **Serial No. of machine (sticker or S/N lable)**
 - **Articlenumber**
 - **Your dealer orders part in our online system parts and more.**

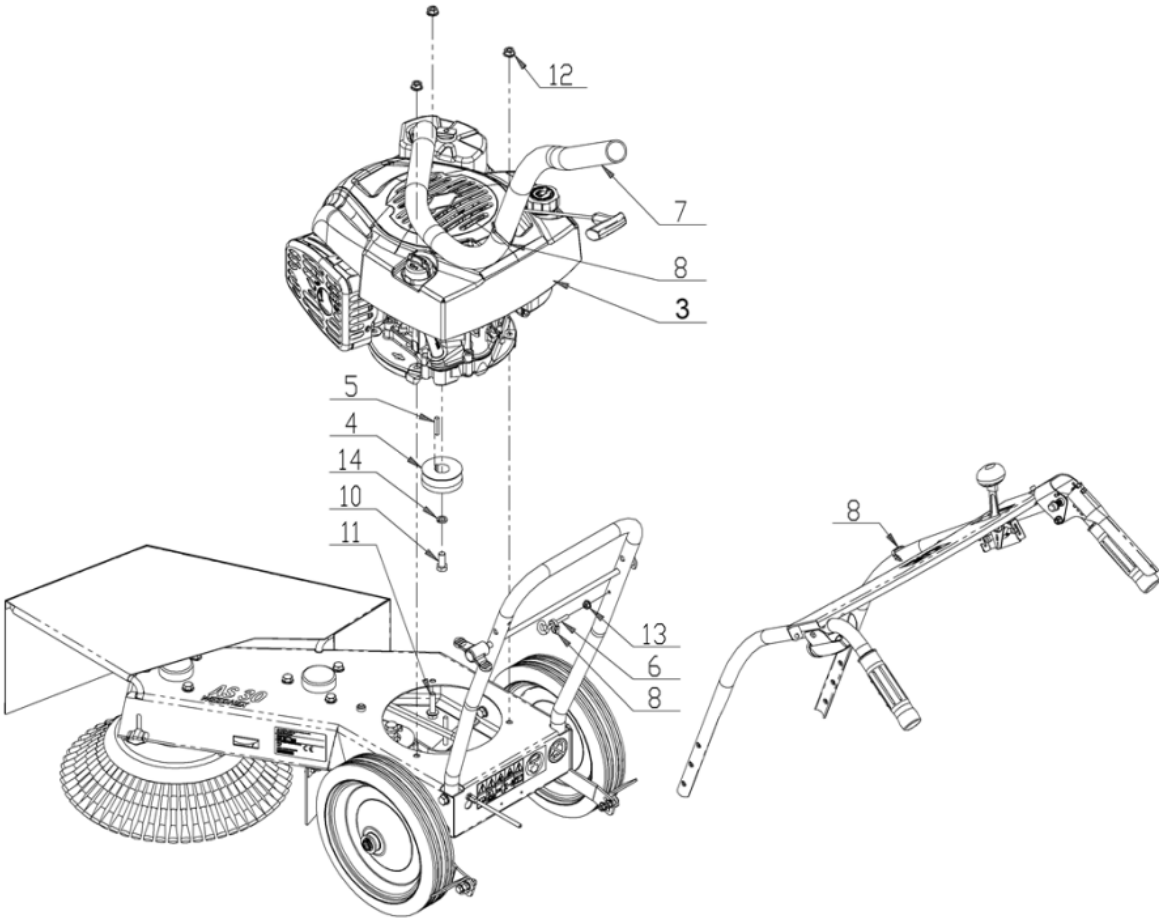
Only in this case you receive all important information about proper spare parts and possible technical changes.

Please fulfil only maintenance tasks mentioned in the owner manual by yourself. All other tasks have to be done by authorised AS-Motor dealer.

Subject to change without notice.

Images may show differences from the machines in production.

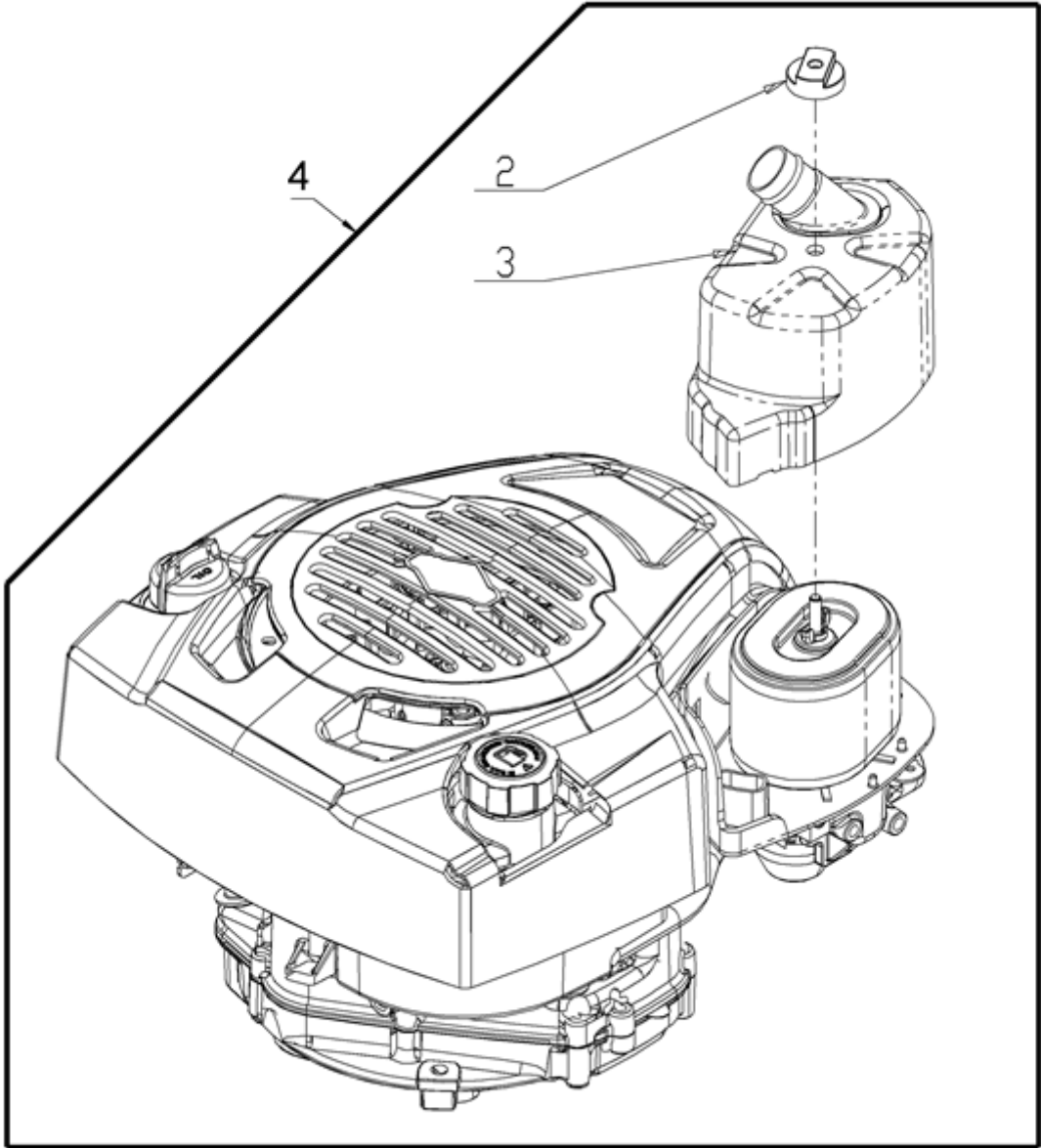
Frame 1



Frame 1

Item	Part-No.		Quantity	Description
3	G07353002	G07353002	1	Engine
4	G07352001	G07352001	1	Engine belt pulley
5	G05950026	E11445	1	Feather key
6	G07353003	G07353003	1	Start line guide
7	G07353004	G07353004	1	Air intake hose
8	G00026003	E03782	5	Cable tape (2 Stk.)
10	G05950025	E11444	1	Inch screw
11	G07352034	G07352034	3	Screw
12	G00007042	E06037	3	Selflocking nut with serrated bearing (3
13	G07932001	E10188	1	Hex nut
14	G07811010	E01954	1	Spring washer (20 Stk.)

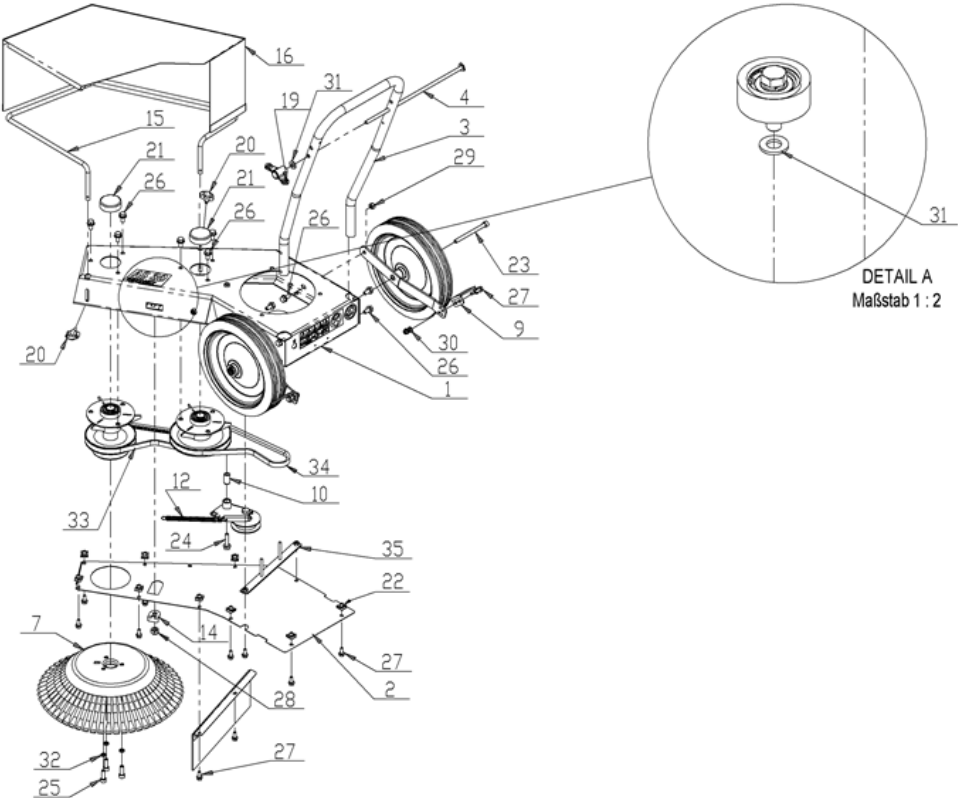
Motor



Motor

Item	Part-No.		Quantity	Description
2	G07353005	G07353005	1	Fixing nut
3	G07305011	G07305011	1	Cover for air filter
4	G07353002	G07353002	1	Engine

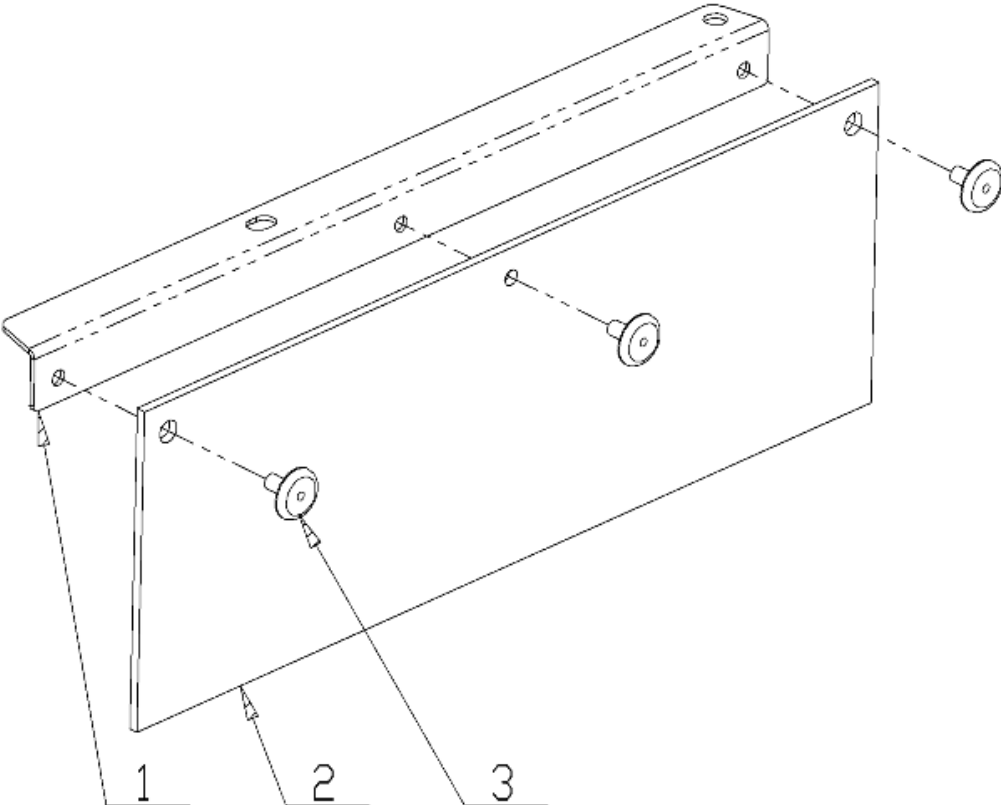
Frame 2



Frame 2

Item	Part-No.		Quantity	Description
1	G07352002	G07352002	1	Frame
2	G07352003	G07352003	1	Base plate
3	G07352004	G07352004	1	Lower bar
4	G07352005	G07352005	1	screw
7	G07323029	G07323029	1	Plate brush steel AS 30
9	G07352006	G07352006	2	wippers
10	G07352007	G07352007	1	bushing
12	G07352008	G07352008	1	Draw spring
14	G07352009	G07352009	1	Special disc
15	G07352010	G07352010	1	Replaced by G07382001
15	G07382001	G07382001	1	Protective cloth set for front
16	G07352011	G07352011	1	Replaced by G07382001
16	G07382001	G07382001	1	Protective cloth set for front
19	G05950029	E11448	1	Wing nut
20	G07352012	G07352012	2	Wing Screw
21	G07352013	G07352013	2	Covering cap
22	G07352014	G07352014	10	Nut
23	G07352035	G07352035	2	Screw
24	G07352034	G07352034	1	Screw
25	G07833004	E04249	3	Hexagon socket head cap screw (3 Stk.)
26	G07352036	G07352036	12	Screw
27	G07913004	E10189	15	Hexagon screw with flange
28	G07846005	E01968	1	Self-locking hex nut (10 Stk.)
29	G07918002	E07669	2	Self-locking hex nut (2 Stk.)
30	G07932001	E10188	4	Hex nut
31	G05950075	E11518	2	Washer (10 Stk.)
32	G07811005	E01904	3	Spring washer (20 Stk.)
33	G07352015	G07352015	1	V-belt
34	G07352016	G07352016	1	V-belt
35	G07352017	G07352017	1	Belt guide

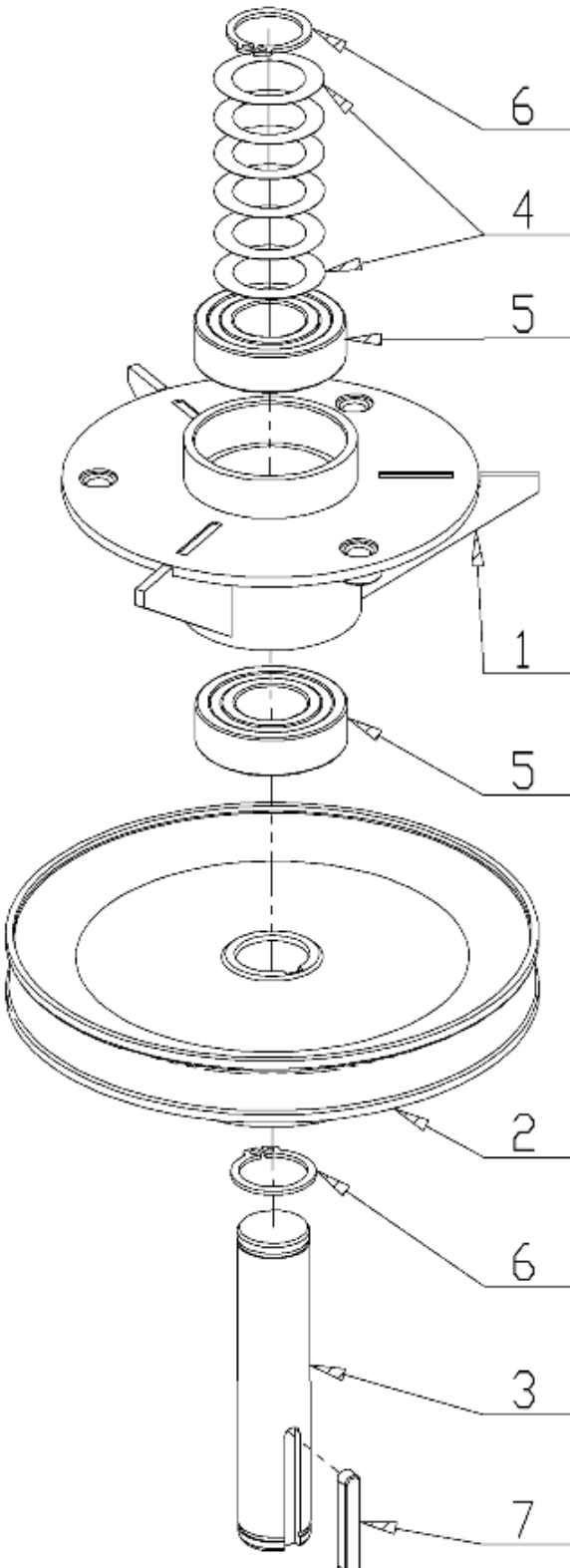
Protection skirt rear



Protection skirt rear

Item	Part-No.		Quantity	Description
1	G07352018	G07352018	1	Replaced by G07382002
3	G07382002	G07382002	1	Protective cloth set in the back
2	G07352019	G07352019	1	Replaced by G07382002
3	G07382002	G07382002	1	Protective cloth set in the back
3	G05950036	E11455	3	Explosive rivet (6 Stk.)

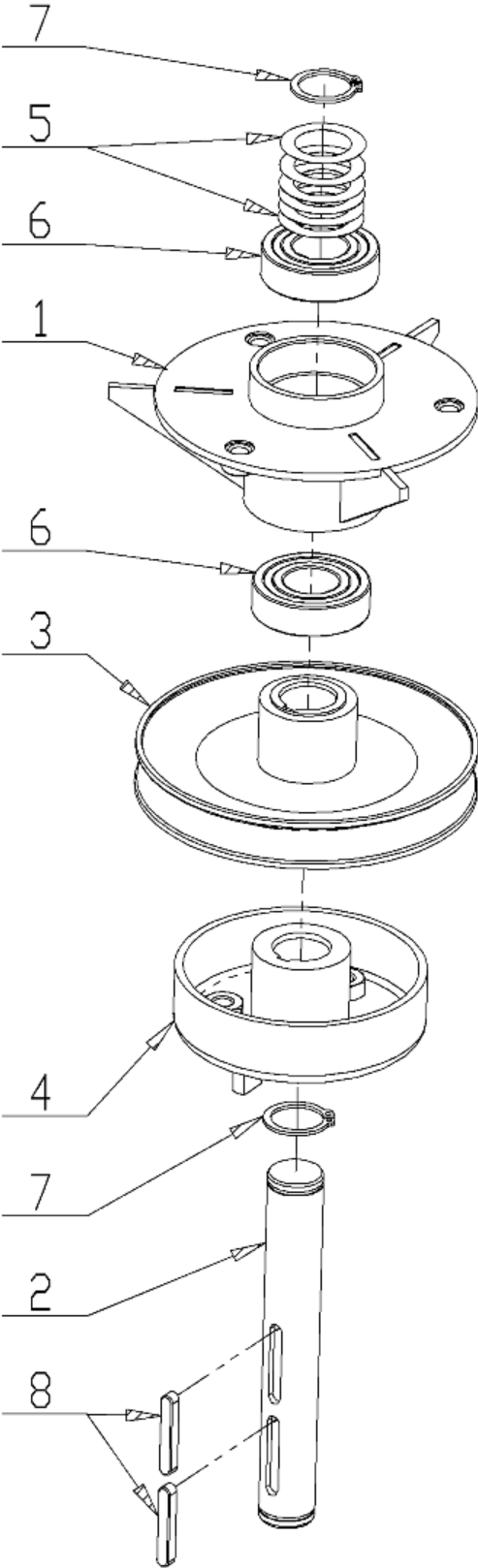
Intermediate shaft



Intermediate shaft

Item	Part-No.		Quantity	Description
1	G07352020	G07352020	1	Bearing washer
2	G07352021	G07352021	1	Belt pulley
3	G07352022	G07352022	1	Intermediate shaft
4	G05950010	E11429	6	Distance washer
5	G07830022	E06161	2	Deep groove ball bearing
6	G07822012	E07552	2	Circlip for shaft (2 Stk.)
7	G07352023	G07352023	1	Feather key

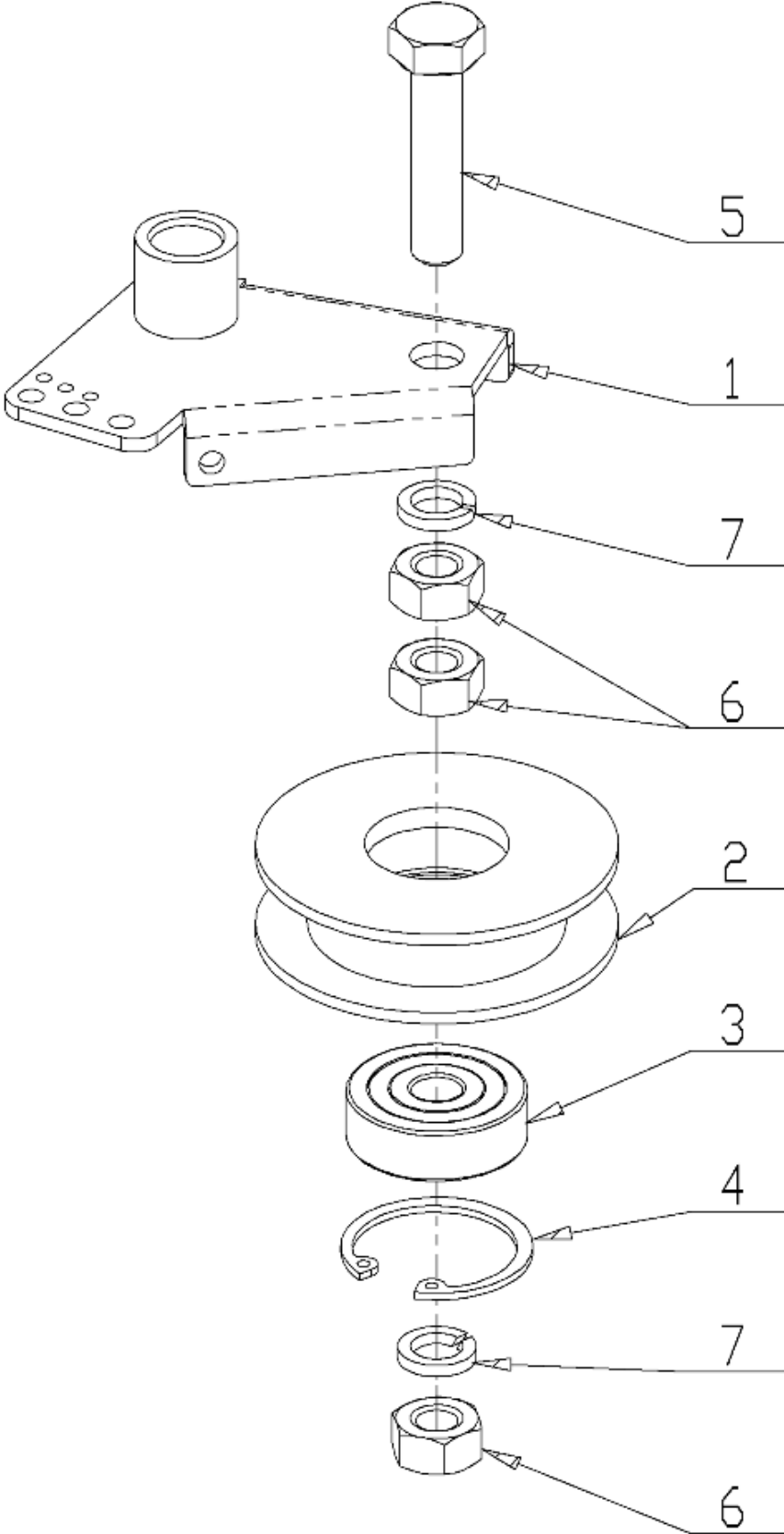
Brush shaft



Brush shaft

Item	Part-No.		Quantity	Description
1	G07352020	G07352020	1	Bearing washer
2	G07352024	G07352024	1	Brush shaft
3	G07352025	G07352025	1	Belt pulley
4	G07352026	G07352026	1	Flange
5	G05950010	E11429	6	Distance washer
6	G07830022	E06161	2	Deep groove ball bearing
7	G07822012	E07552	2	Circlip for shaft (2 Stk.)
8	G07352023	G07352023	2	Feather key

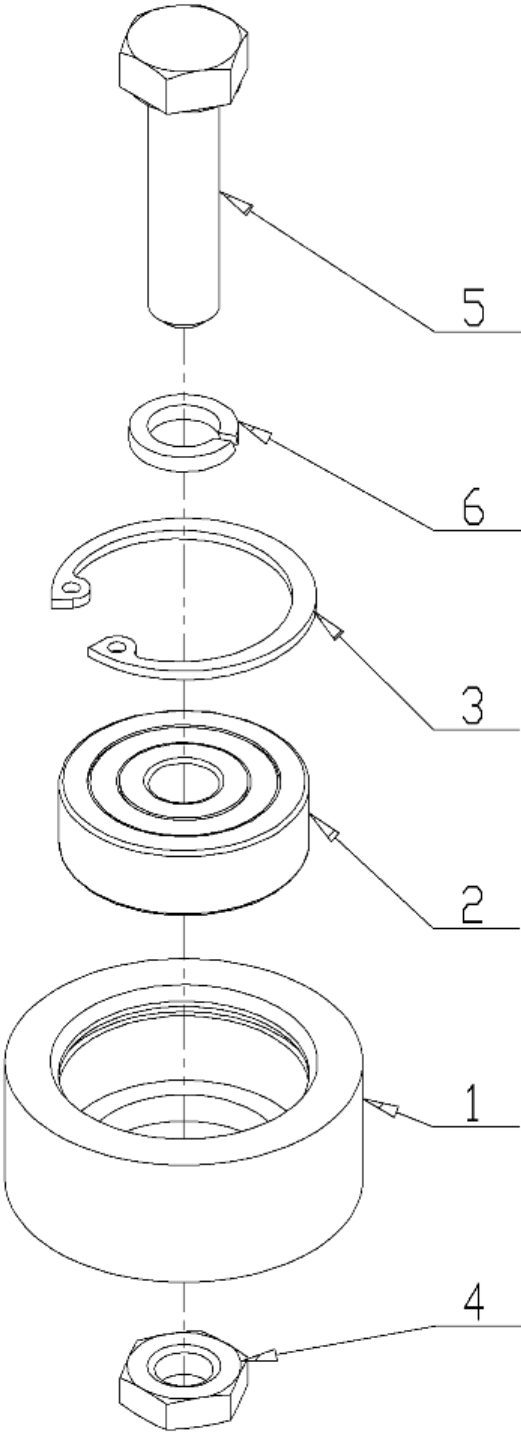
Tensioning roller carrier



Tensioning roller carrier

Item	Part-No.		Quantity	Description
1	G07352027	G07352027	1	Tensioning roller carrier
2	G05950045	E11468	1	Tension pulley
3	G07830012	E04329	1	Deep groove ball bearing
4	G07823011	E04330	1	Circlip for drilled hole (5 Stk.)
5	G07838091	G07838091	1	Hexagon screw
6	G07839008	E01953	3	Hex nut (10 Stk.)
7	G07811010	E01954	2	Spring washer (20 Stk.)

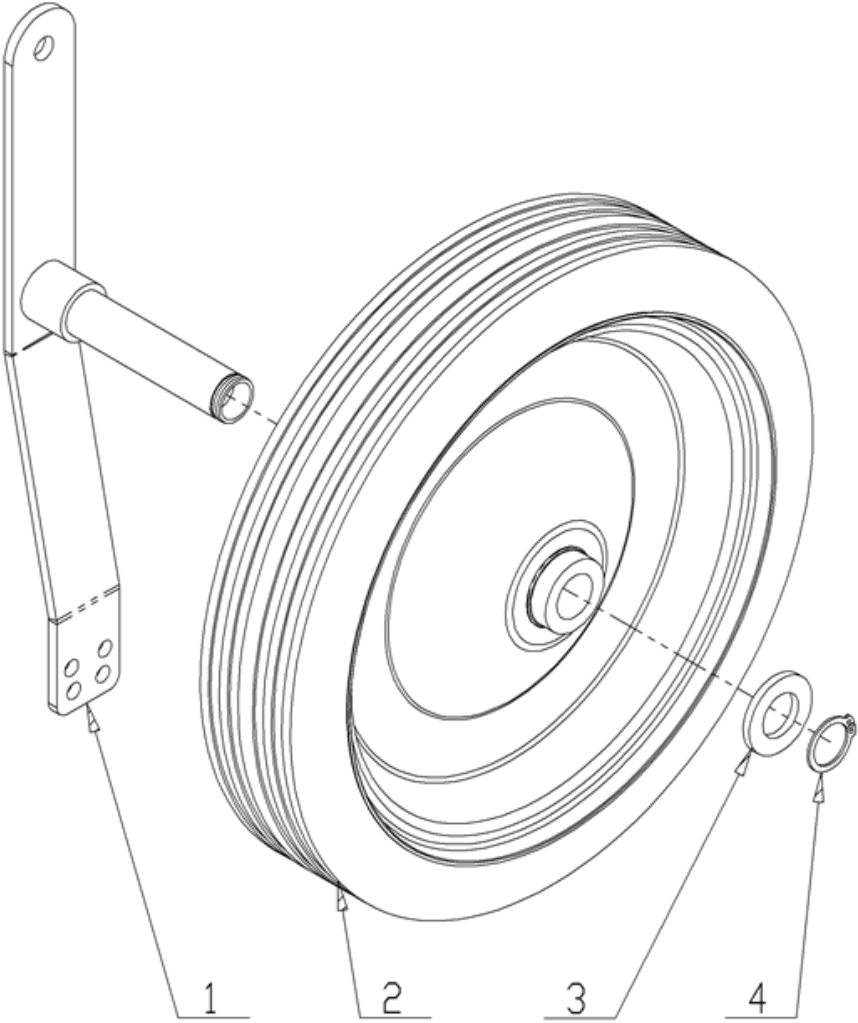
Belt tensioning pulley



Belt tensioning pulley.

Item	Part-No.		Quantity	Description
1	G05950047	E11470	1	Belt tensioning pulley
2	G07830012	E04329	1	Deep groove ball bearing
3	G07823011	E04330	1	Circlip for drilled hole (5 Stk.)
4	G05950076	E11519	1	Nut (5 Stk.)
5	G07838084	E11522	1	Hexagon screw
6	G07811010	E01954	1	Spring washer (20 Stk.)

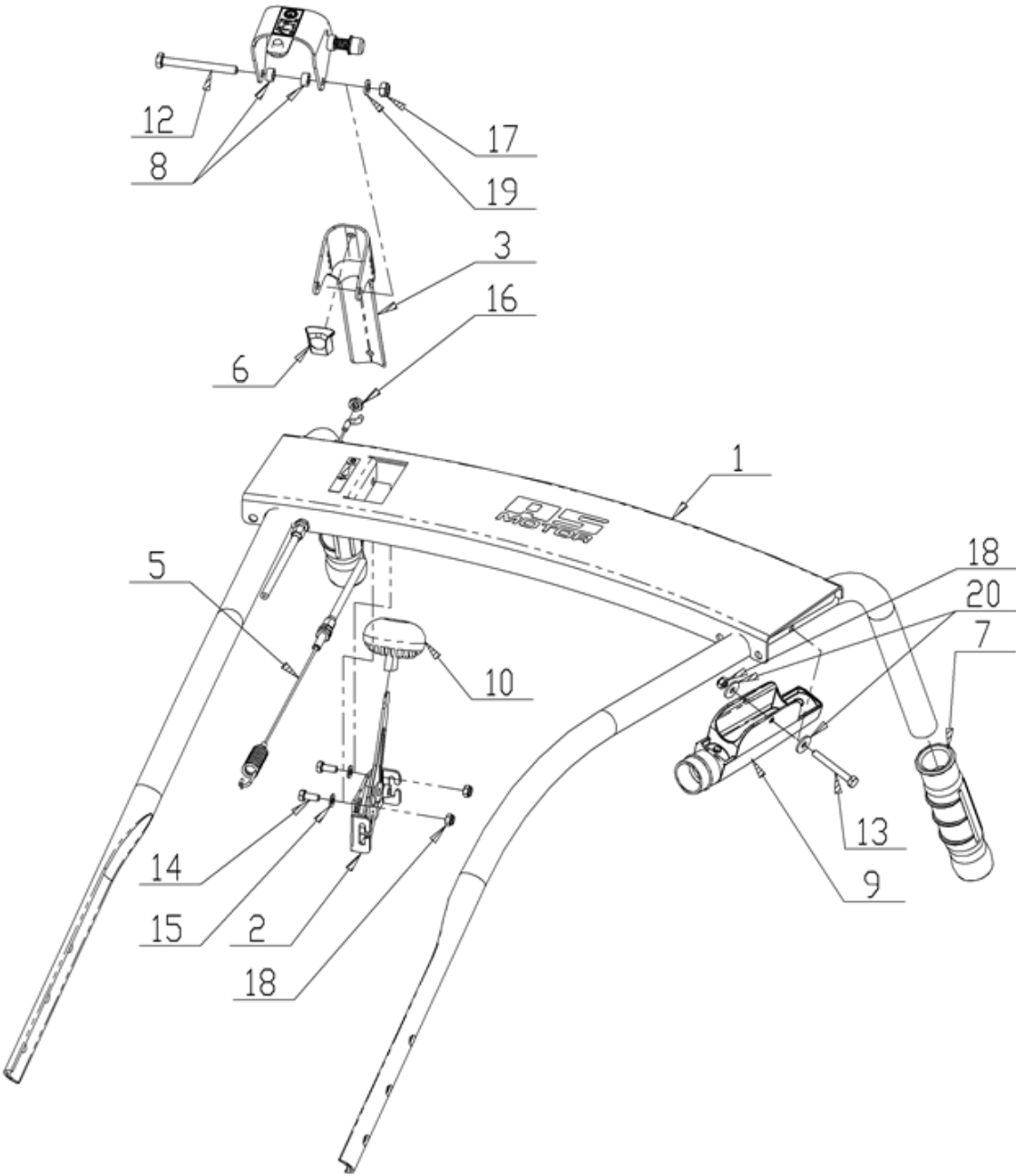
Wheel



Wheel

Item	Part-No.		Quantity	Description
1	G07352028	G07352028	1	Wheel carrier
2	G07352029	G07352029	1	Wheel
3	G07809016	E12934	1	Disc
4	G07822016	E08664	1	Circlip for shaft

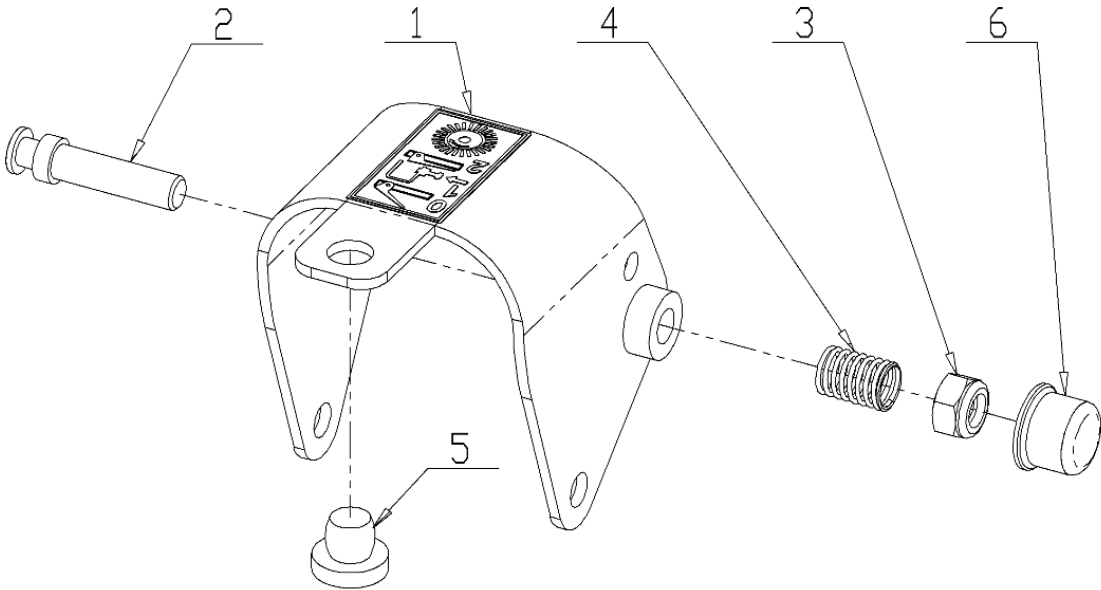
Handlebar



Handlebar

Item	Part-No.		Quantity	Description
1	G07352030	G07352030	1	Upper strut
2	G05950053	E11476	1	Accelerator lever with throttle cable
3	G05950056	E11478	1	Operating lever
5	G07353006	G07353006	1	Brake cable
6	G05950059	E11481	1	Rubber stop
7	G05950060	E11482	2	Handle
8	G05950065	E11487	2	Spacer sleeve (2 Stk.)
9	G07353007	G07353007	1	Replaced by G07305004
	G07305004	E12407	1	Air intak
10	G05950063	E11485	1	Ball handle
12	G07837025	E04227	1	Hexagon screw
13	G07837017	E03902	1	Hexagon screw (10 Stk.)
14	G07838004	E01930	2	Hexagon screw (10 Stk.)
15	G07809003	E01181	2	Disc (20 Stk.)
16	G07818004	E03917	1	Hex nut (10 Stk.)
17	G07846008	E03829	1	Self-locking hex nut (10 Stk.)
18	G07918006	E08174	3	Self-locking hex nut (5 Stk.)
19	G07809006	E01940	1	Disc (10 Stk.)
20	G07809003	E01181	2	Disc (20 Stk.)

Notch lever



Notch lever

Item	Part-No.		Quantity	Description
1	G07352033	G07352033	1	Notch lever
2	G05950068	E11490	1	Notch lever bolt
3	G07846008	E03829	1	Self-locking hex nut (10 Stk.)
4	G05950067	E11489	1	Pressure spring
5	G05950070	E11492	1	Rubber buffer
6	G05950069	E11491	1	Covering cap

Proposal for wear parts list

ET - Bereich - AS-Motor
AS 1040 YAK 4WD
ab FNr. 033118050001 Serienstart

Verschleißteilliste
Reparaturteilliste
Elektronische Anlage
Schlagelwerk
Interkabel

Stückliste: Verschleißteilliste
Alle Artikel in den Warenkorb

Pos	Art.-Nr.	Art.-Nr. (bisher)	Menge (T)	Beschreibung	Info	Modell	Preis	% =>	Tech-Info
1	G90190003	G90190003	28 (1)	Schlagelmesser mit Befestigung					bearbeiten
2	G07857057	G07857057	1 (1)	Keilriemen					bearbeiten
3	G07857056	G07857056	1 (1)	Keilriemen					bearbeiten
4	G07857035	E08304	1 (1)	Hochleistungskelriemen					bearbeiten
5	G90434008	G90434008	1 (1)	Bremsbelaghalter mit Bremsbelag					bearbeiten
6	G00041064	E12381	1 (10)	2x5L Kanister Öl Titan Supersyn SAE5W-50					bearbeiten
7	G00006067	G00006067	1 (1)	O-Ring					bearbeiten
8	G06950016	E11741	1 (1)	Dichtscheibe 10					bearbeiten
9	G06980002	E11530	1 (1)	Ölfilter+Deckel+Dichtungen					bearbeiten
10	G00006066	G00006066	1 (1)	O-Ring					bearbeiten

1 → Alle Artikel in den Warenkorb legen / Put all items in the cart / Mettre tous les articles dans le panier / Pon todos los articulos en el carrito / Поместить все запасные части в корзину

Bei Bedarf Artikel in der Zeichnung ansehen / If necessary, see the article in the drawing / Si nécessaire, regarder l'article dans l'eclaté / Si es necesario, ver el artículo en el dibujo / При необходимости см. запасную часть на чертеже:

2 → Klick auf Fernglas / Click on binoculars / Cliquez sur les jumelles / Haga clic en binoculares / Нажмите на бинокль

3 → Klick auf Artikel-Nummer bei Gerätemodell / Click on item number at according device model / Cliquez sur le numéro de pièce dans le modèle d'appareil / Haga clic en el número de artículo en el modelo de máquina / Нажмите на номер товара для модели устройства

partid... mone.org/kunden/see_verbaud.php

3

Proposal for wear parts list

Item	Part-No.		Quantity	Description
1	G07352015	G07352015	1	V-belt
2	G07352016	G07352016	1	V-belt
3	G07353006	G07353006	1	Brake cable
4	G07323029	G07323029	1	Plate brush steel AS 30